

[54] CAMERA

[75] Inventor: Tetuya Goto, Kanagawa, Japan

[73] Assignee: Ricoh Company, Ltd., Tokyo, Japan

[**] Term: 14 Years

[21] Appl. No.: 767,123

[22] Filed: Aug. 19, 1985

[30] Foreign Application Priority Data

Feb. 18, 1985 [JP] Japan 60-005831

[52] U.S. Cl. D16/8; D16/1

[58] Field of Search D16/1-10,
D16/8; 354/126, 152, 202, 288

[56] References Cited

U.S. PATENT DOCUMENTS

D. 263,310	3/1982	Kato	D16/8
D. 270,450	9/1983	Kato	D16/8
D. 272,829	2/1984	Kato	D16/8
D. 284,287	6/1986	Kato	D16/1 X
D. 284,384	6/1986	Kato	D16/1 X

4,118,726	10/1978	Kuramoto	354/288 X
4,406,533	9/1983	Yamamoto	354/288 A X

OTHER PUBLICATIONS

Popular Photography—11/84—p. 3—Camera.

Popular Photography—6/83—p. 25—Camera.

Primary Examiner—Nelson C. Holtje

Attorney, Agent, or Firm—Oblon, Fisher, Spivak,
McClelland & Maier

[57] CLAIM

The ornamental design for camera, as shown and described.

DESCRIPTION

FIG. 1 is a front and top-left perspective view of a camera showing my new design;

FIG. 2 is a front elevational view thereof;

FIG. 3 is a top plan view thereof;

FIG. 4 is a right side elevational view thereof;

FIG. 5 is a left side elevational view thereof;

FIG. 6 is a rear elevational view thereof; and

FIG. 7 is a bottom plan view thereof.

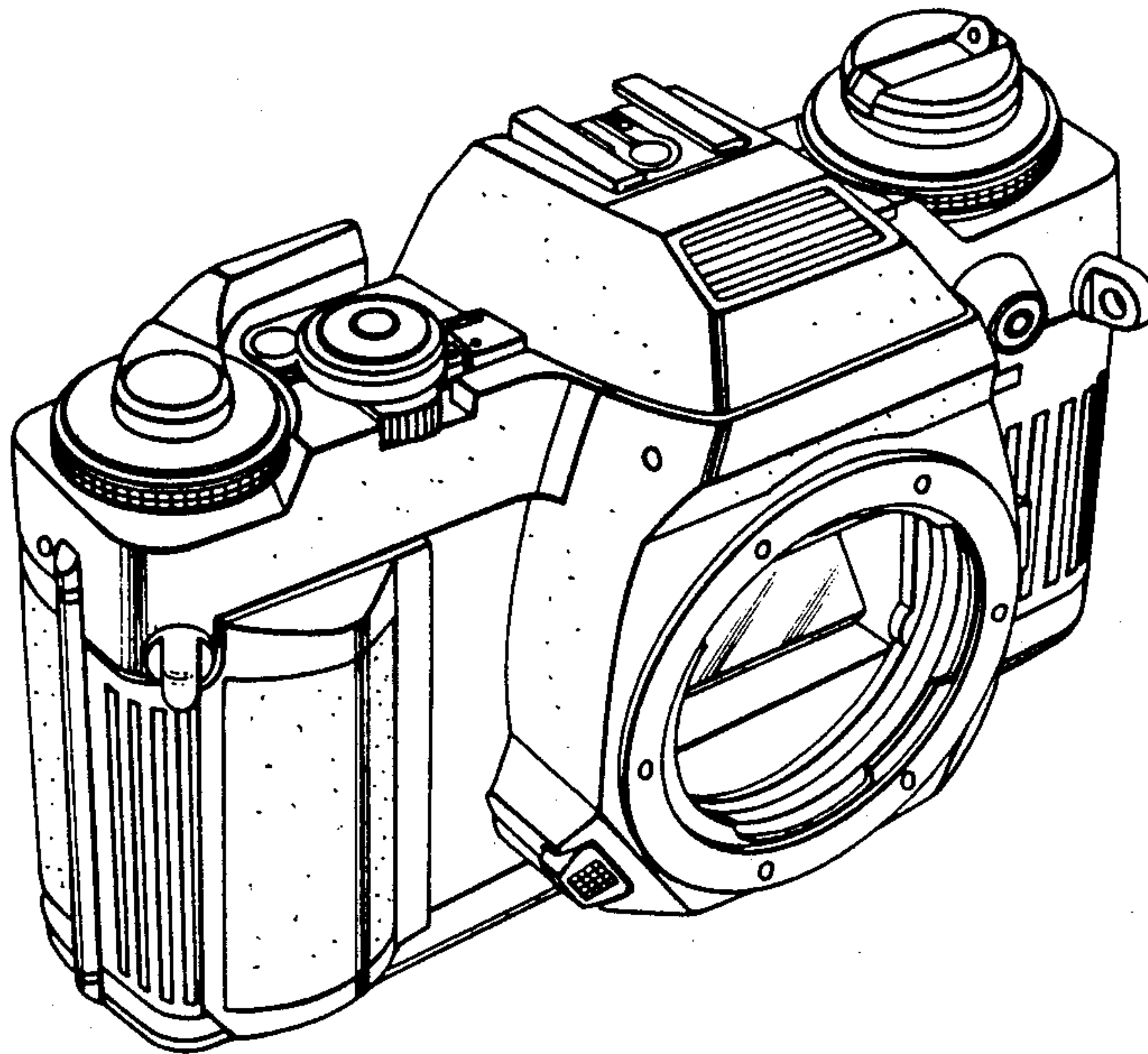


FIG. 1

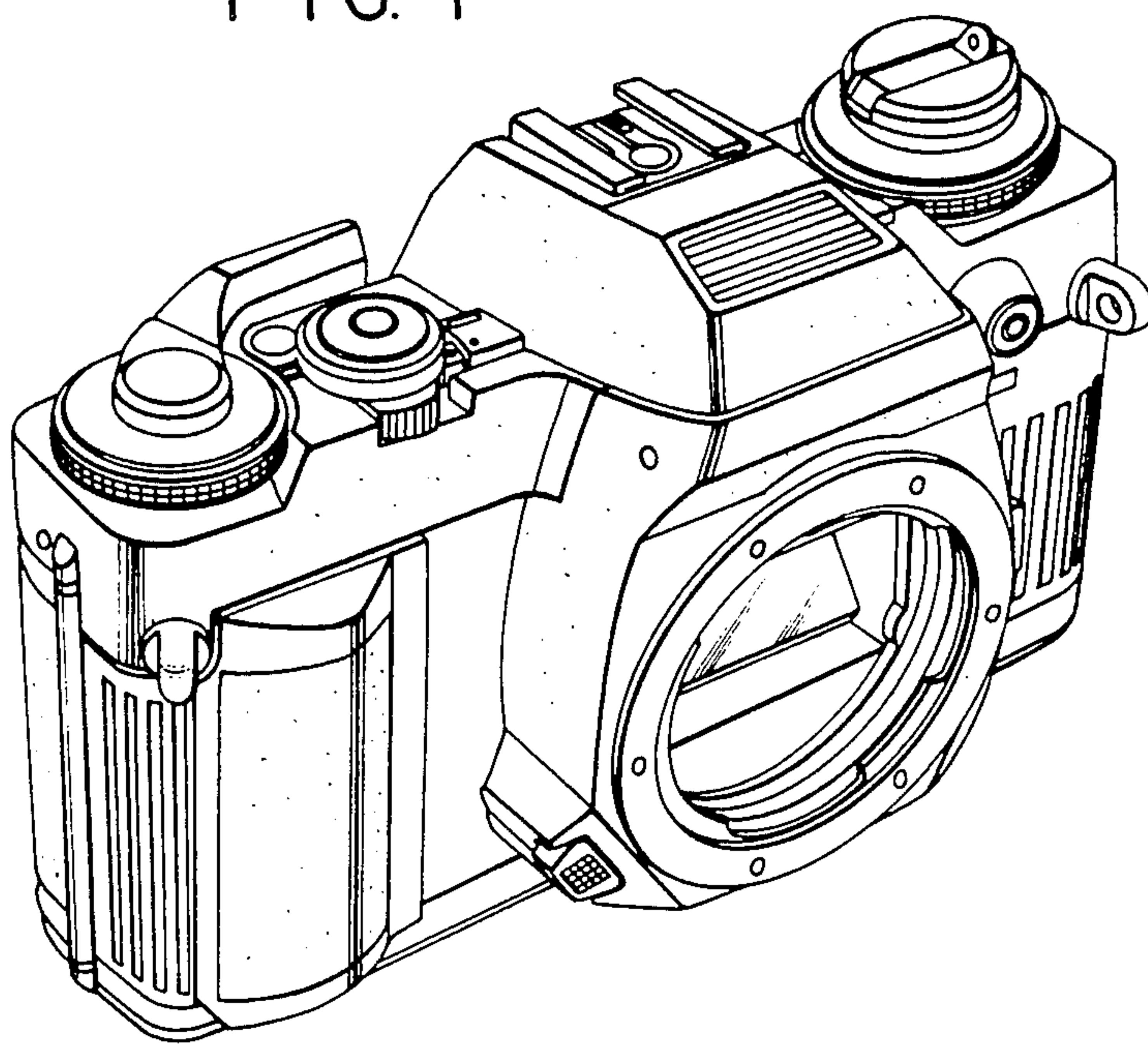


FIG. 4

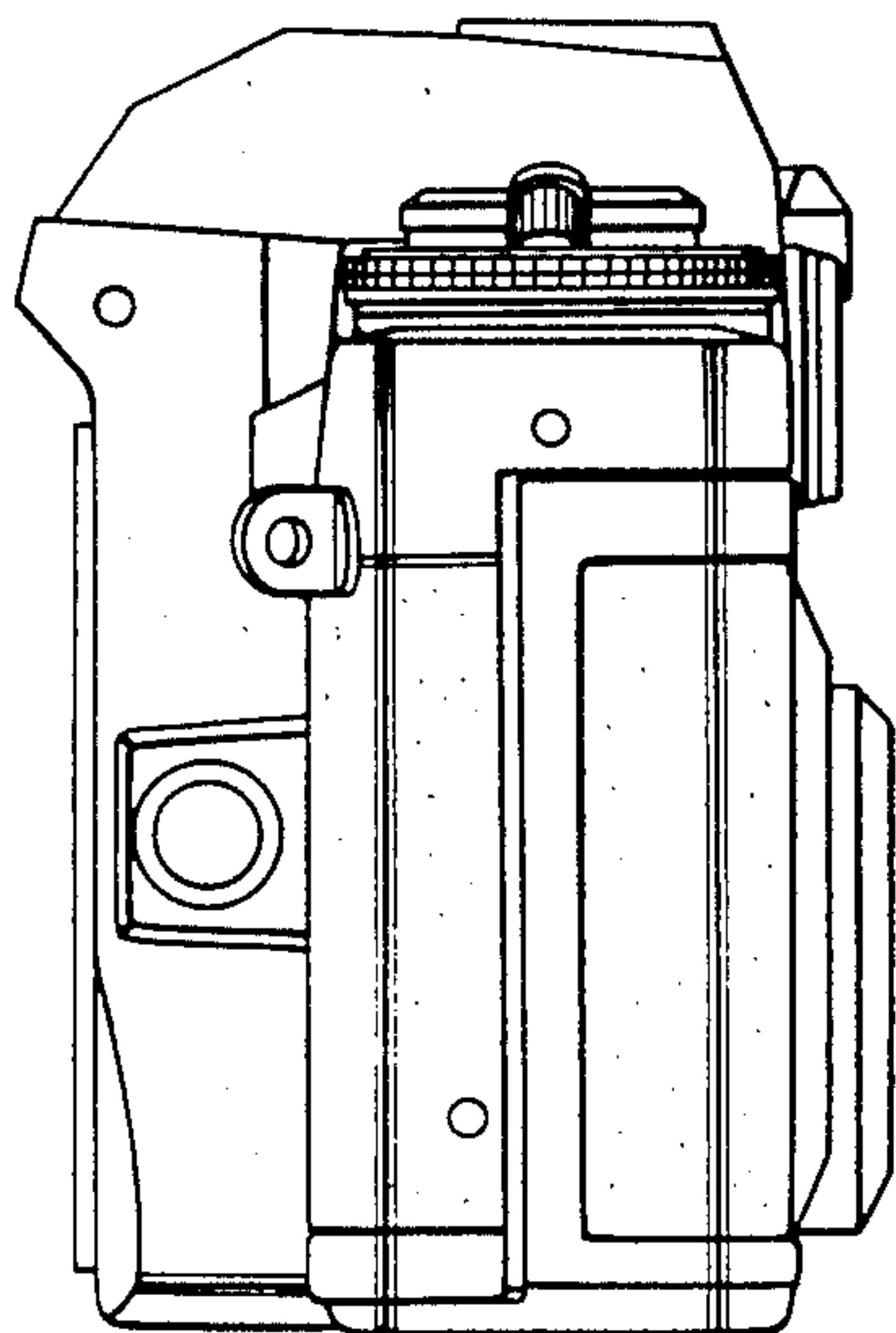


FIG. 5

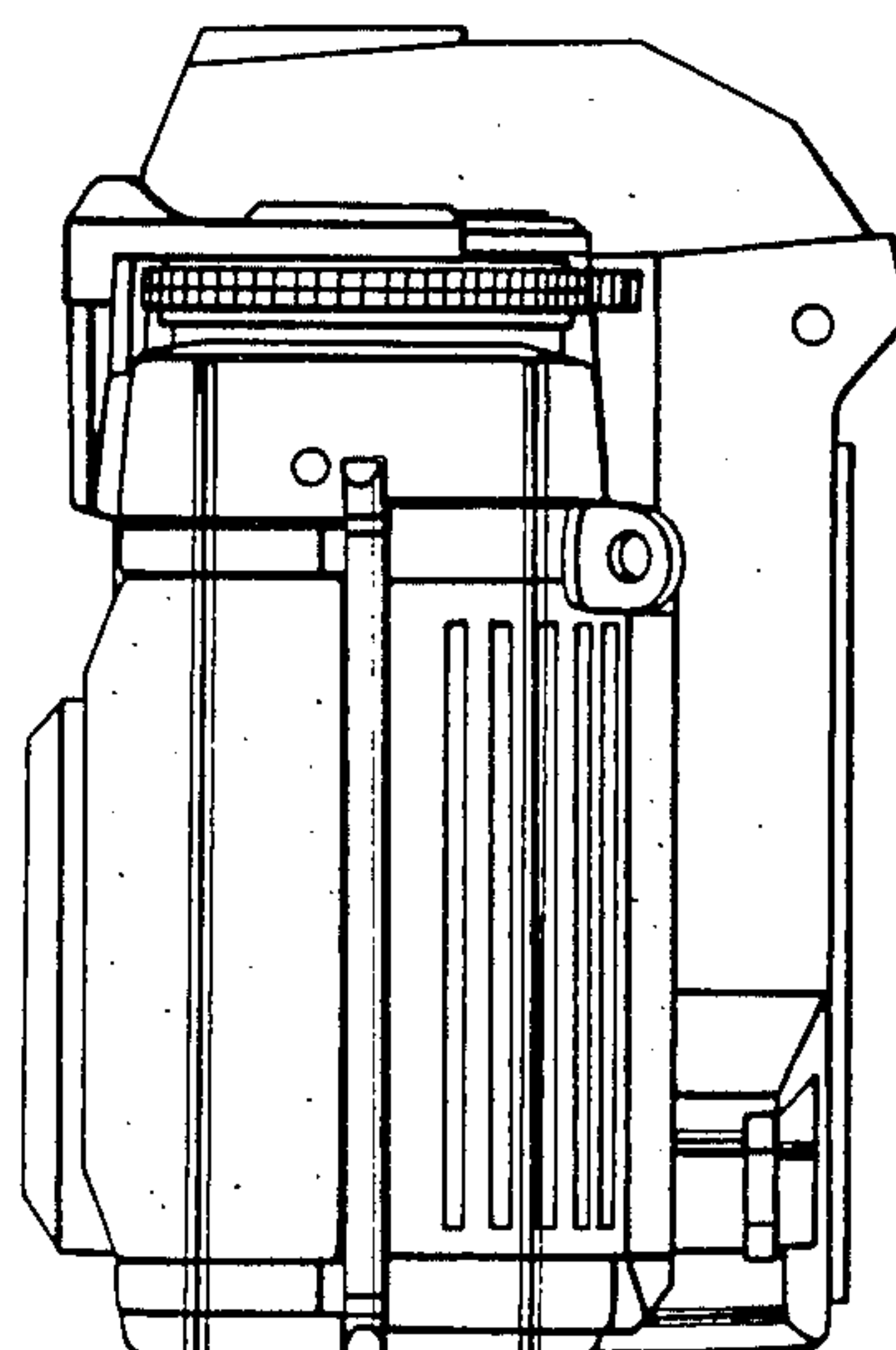


FIG. 2

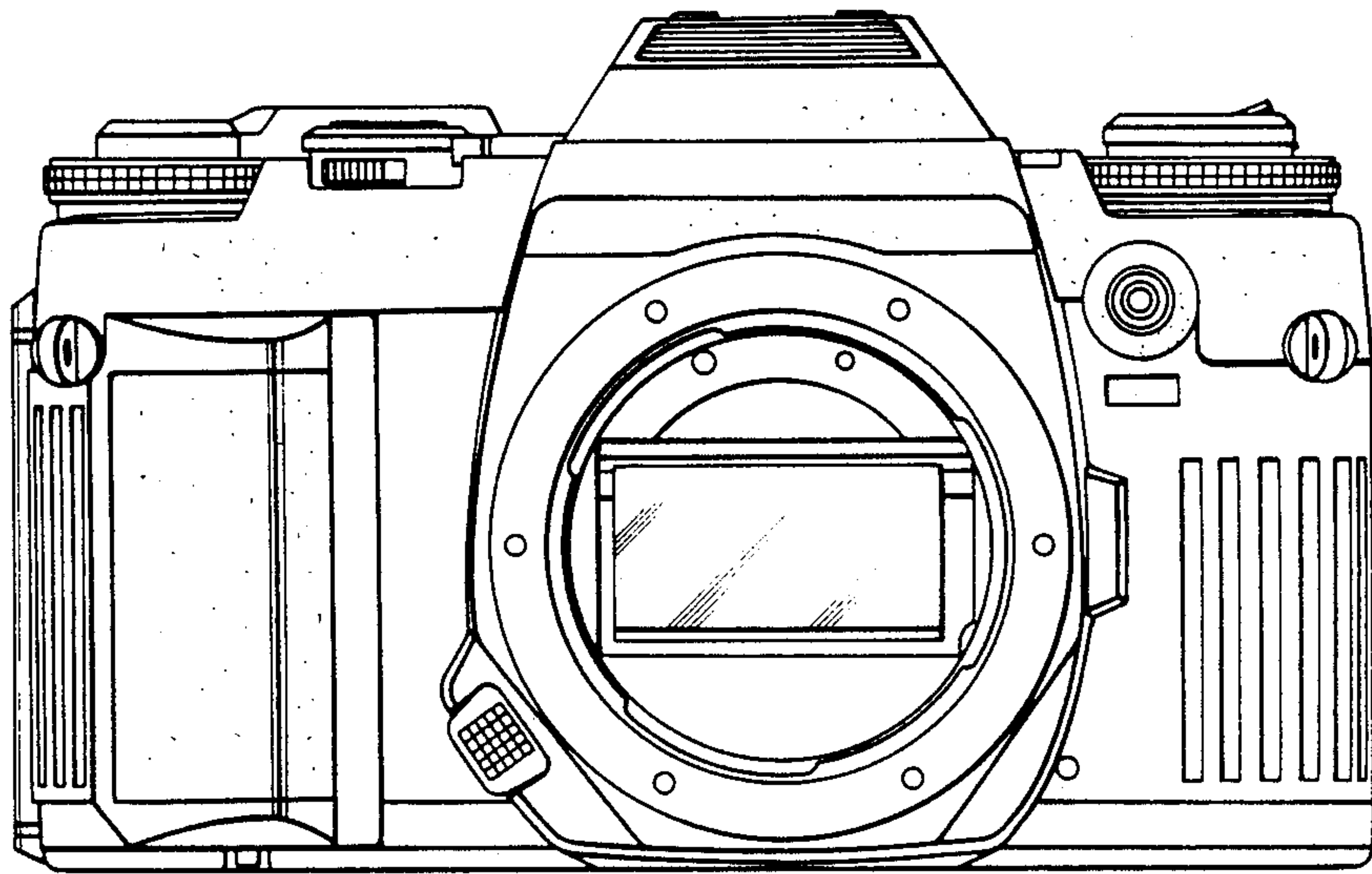


FIG. 3

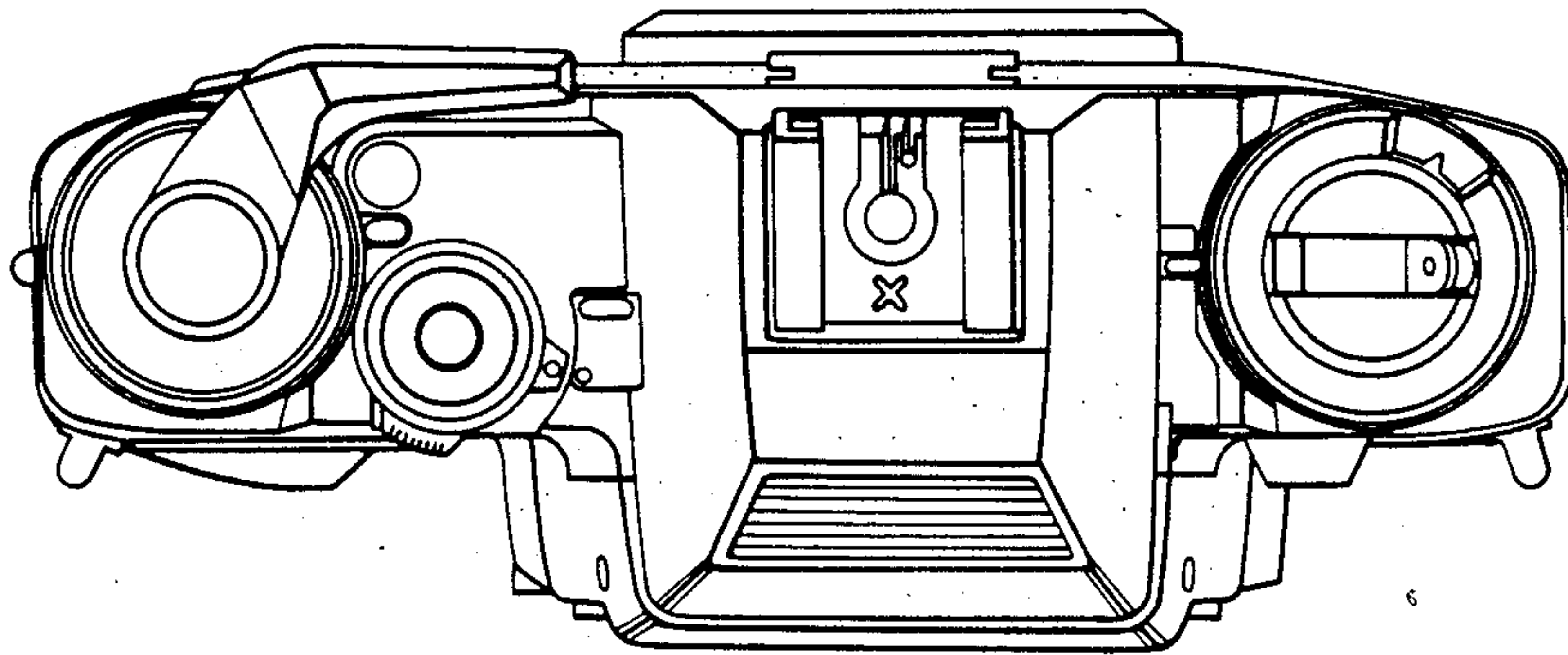


FIG. 6

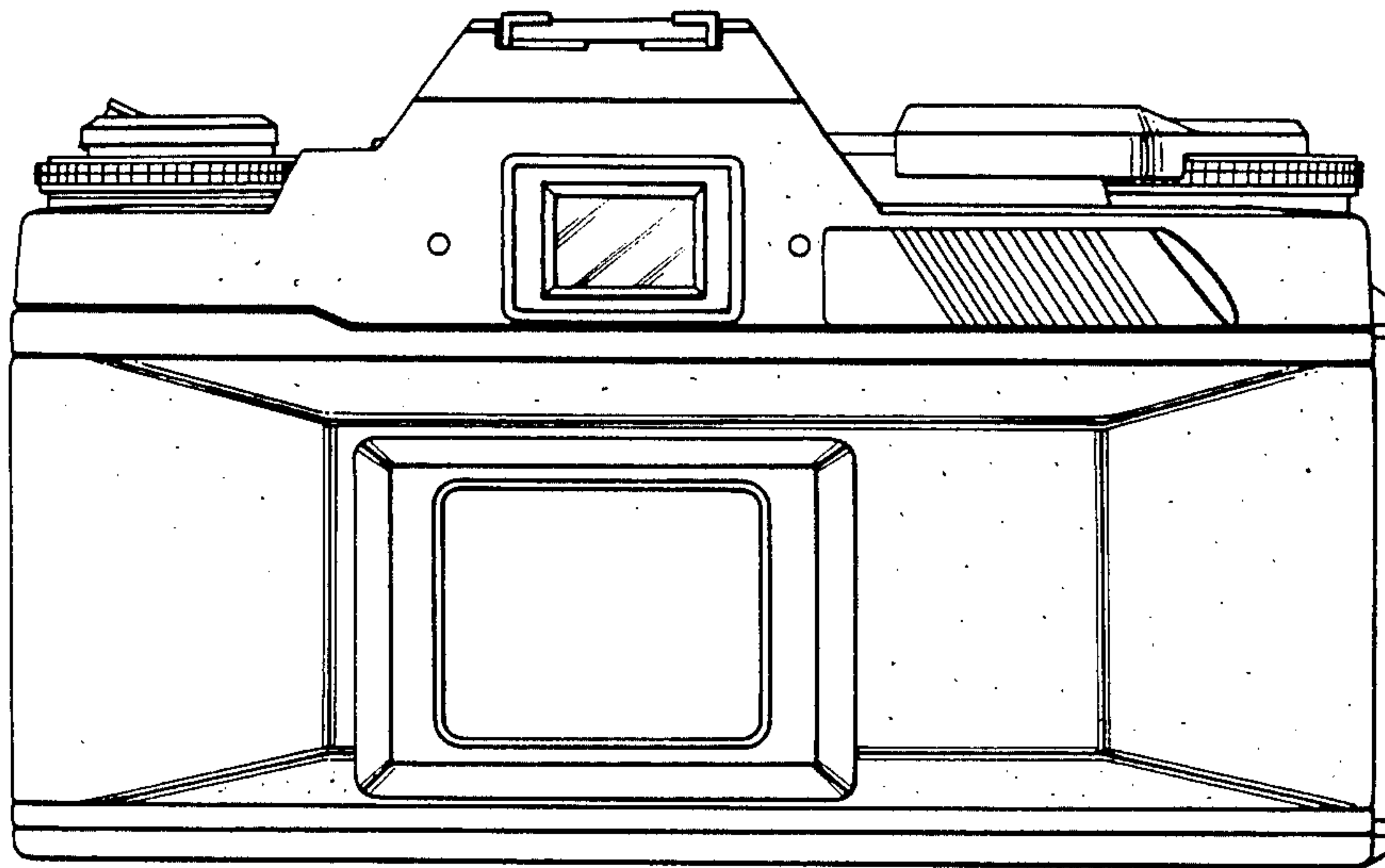


FIG. 7

