

[54] WELDING ROBOT

4,566,726 1/1986 Correnti et al. 414/744 B
4,571,149 2/1986 Soroka et al. 414/750

[75] Inventor: Osamu Kajiya, Nagasaki, Japan

[73] Assignee: Mitsubishi Denki Kabushiki Kaisha,
Tokyo, Japan

[**] Term: 14 Years

[21] Appl. No.: 752,731

[22] Filed: Jul. 8, 1985

[30] Foreign Application Priority Data

Jan. 8, 1985 [JP] Japan 60-107

[52] U.S. Cl. D15/144; D15/199

[58] Field of Search D15/122, 199, 144;
414/729, 749, 750; 901/14, 15, 16, 42; 228/45

[56] References Cited

U.S. PATENT DOCUMENTS

D. 287,135 12/1986 Nagatani et al. D15/144
4,229,641 10/1980 Ihara 228/45
4,234,777 11/1980 Balfanz 228/45
4,274,801 6/1981 Herb et al. 414/749

OTHER PUBLICATIONS

Mitsubishi Electric—Arc-Welding Robots—Series RW-250, "A Systems Approach to Welding Automation", pp. 1-11; 9/83.

Primary Examiner—B. J. Bullock
Attorney, Agent, or Firm—Wenderoth, Lind & Ponack

[57] CLAIM

The ornamental design for a welding robot, substantially as shown.

DESCRIPTION

FIG. 1 is a front elevational view of a welding robot, showing my new design;
FIG. 2 is a rear elevational view thereof;
FIG. 3 is a left side elevational view thereof;
FIG. 4 is a right side elevational view thereof;
FIG. 5 is a top plan view thereof;
FIG. 6 is a bottom plan view thereof; and
FIG. 7 is a front, top and right side perspective view thereof.

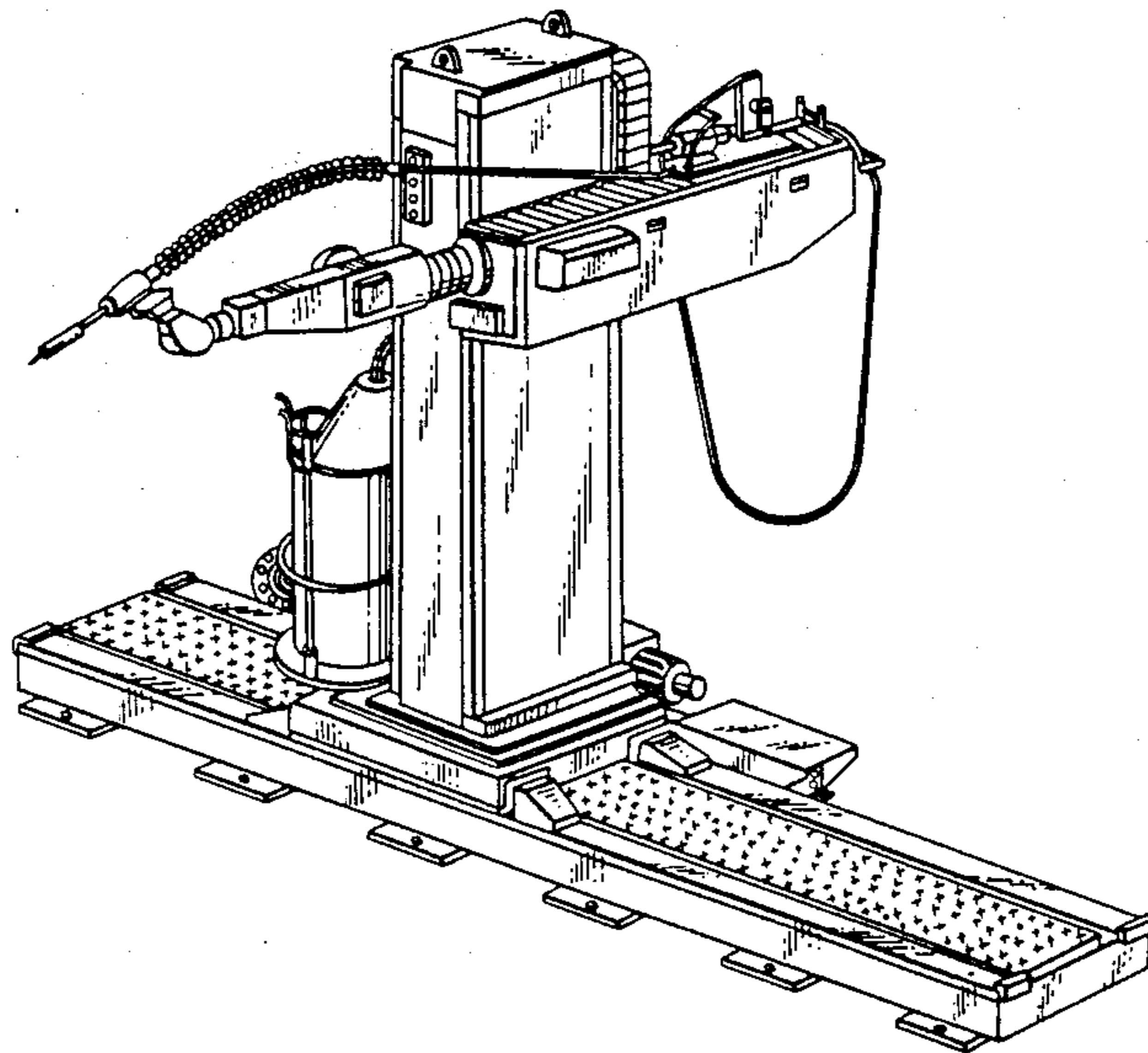


FIG. 1

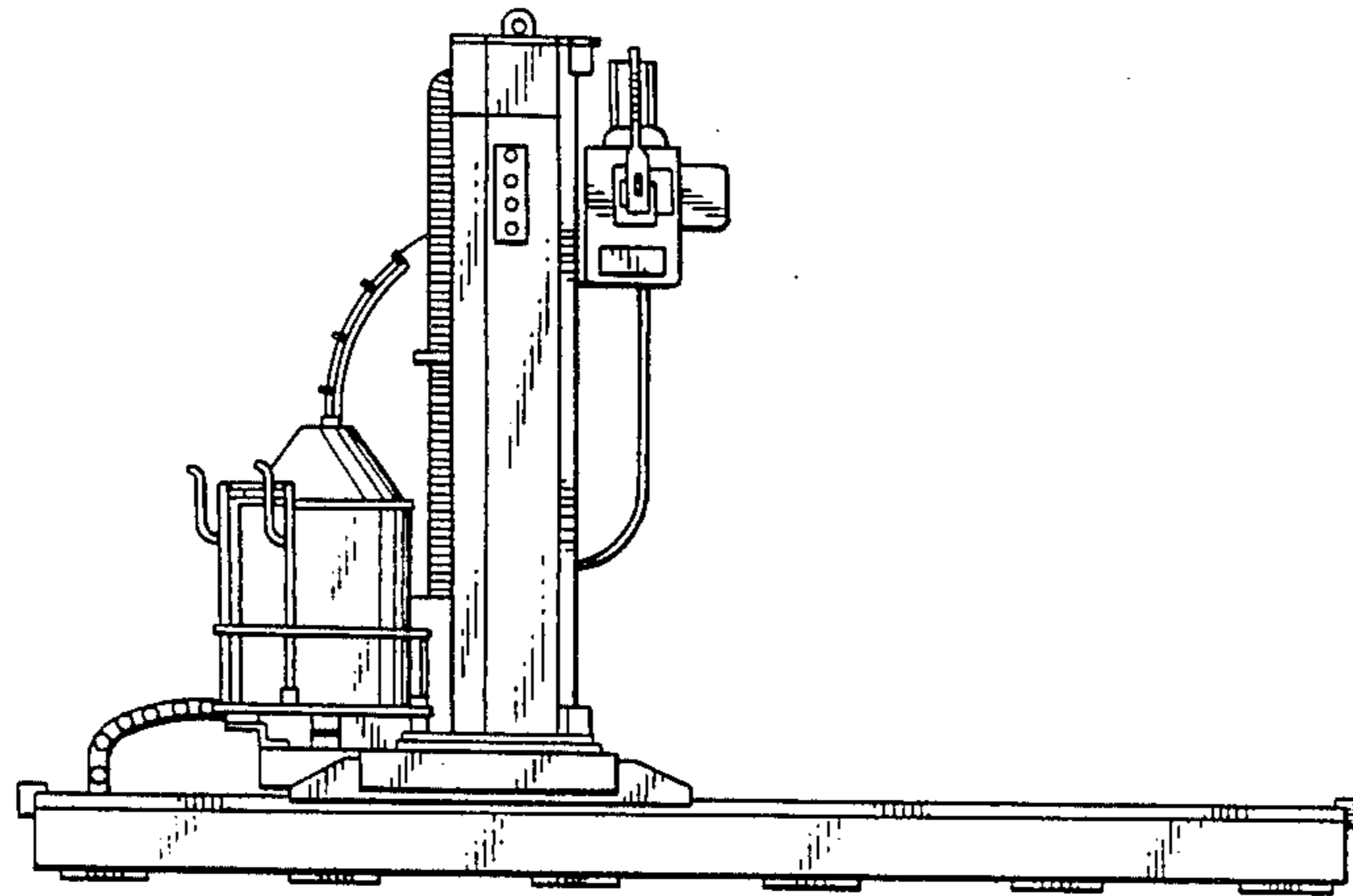


FIG. 2

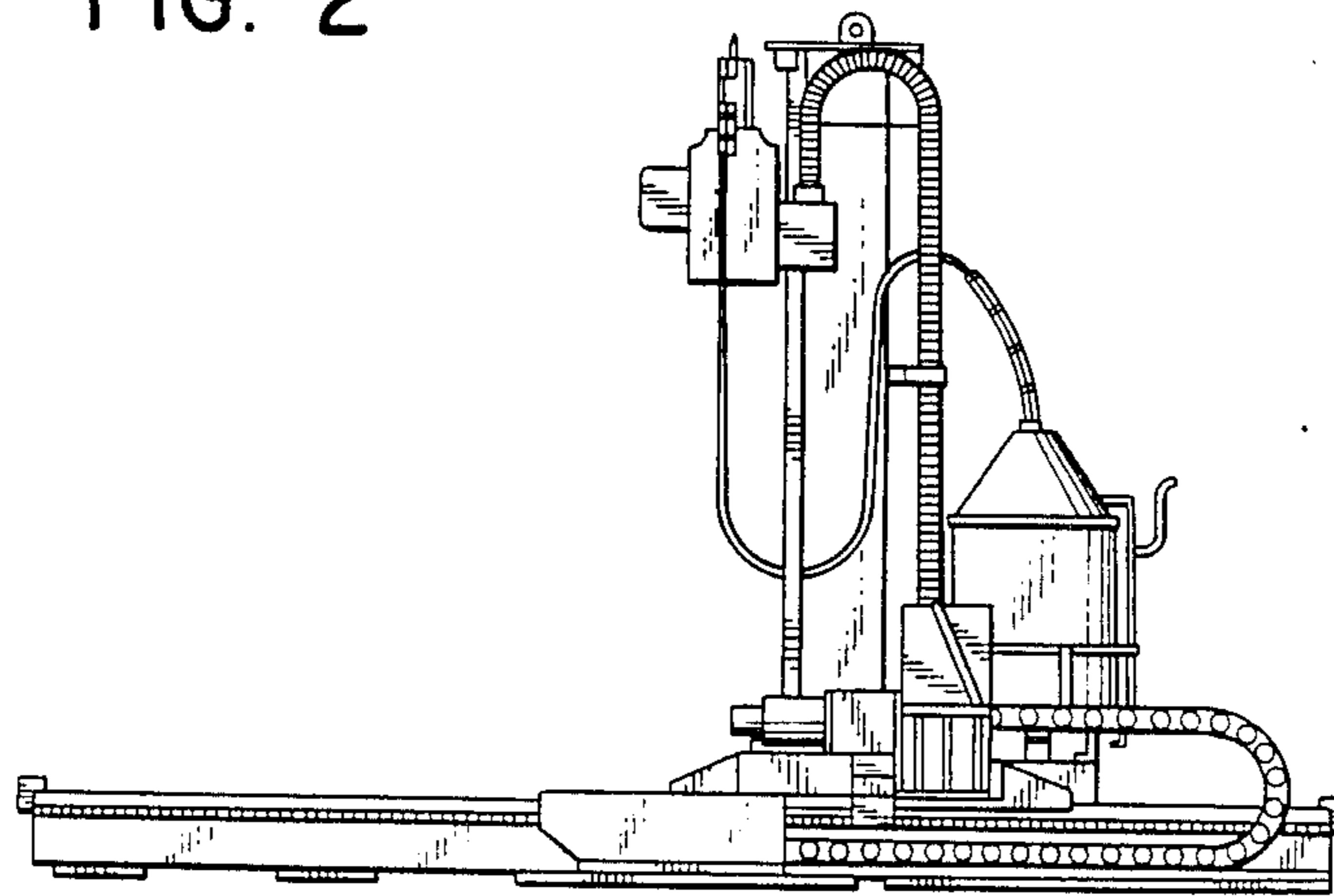


FIG. 3

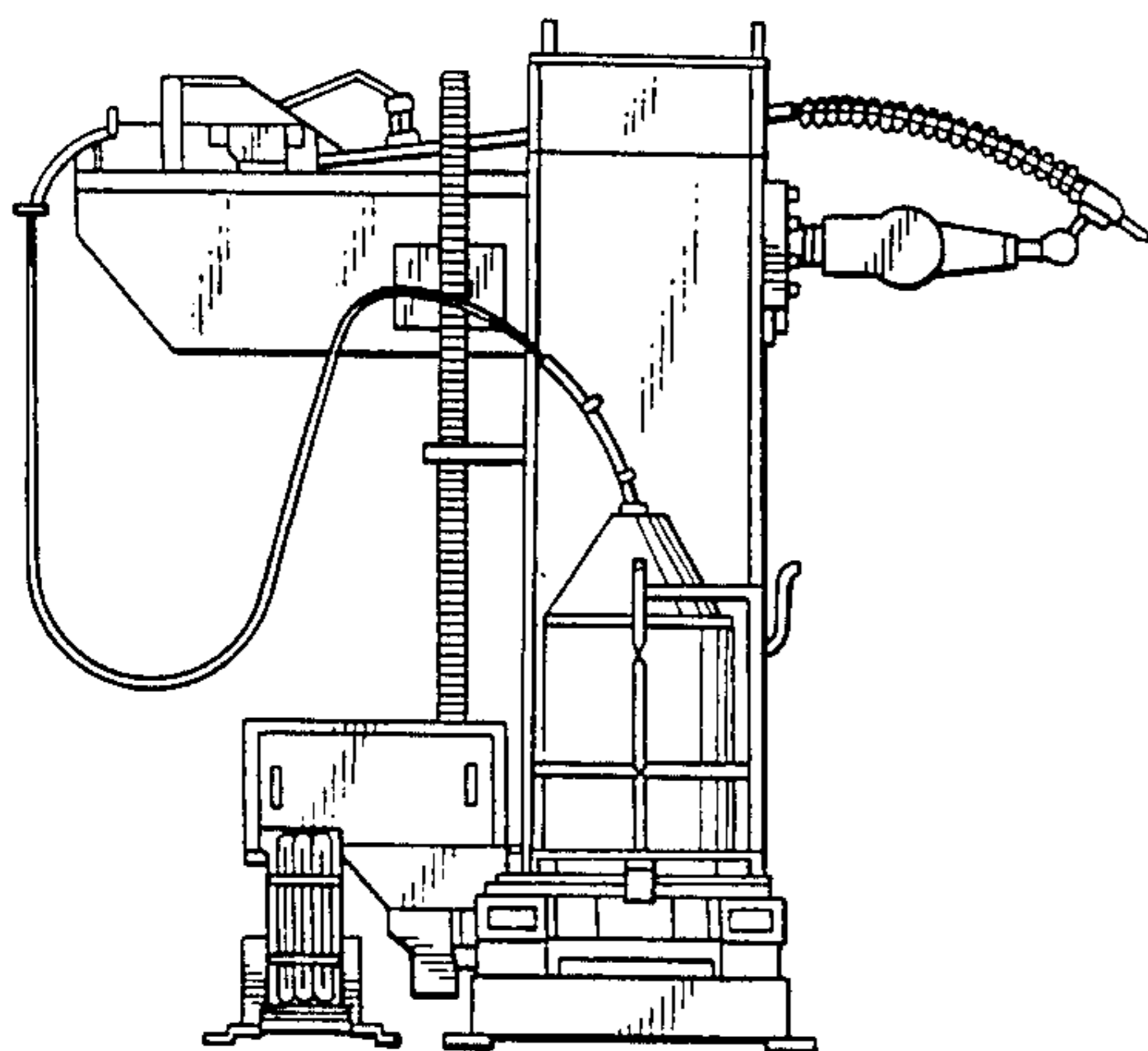


FIG. 4

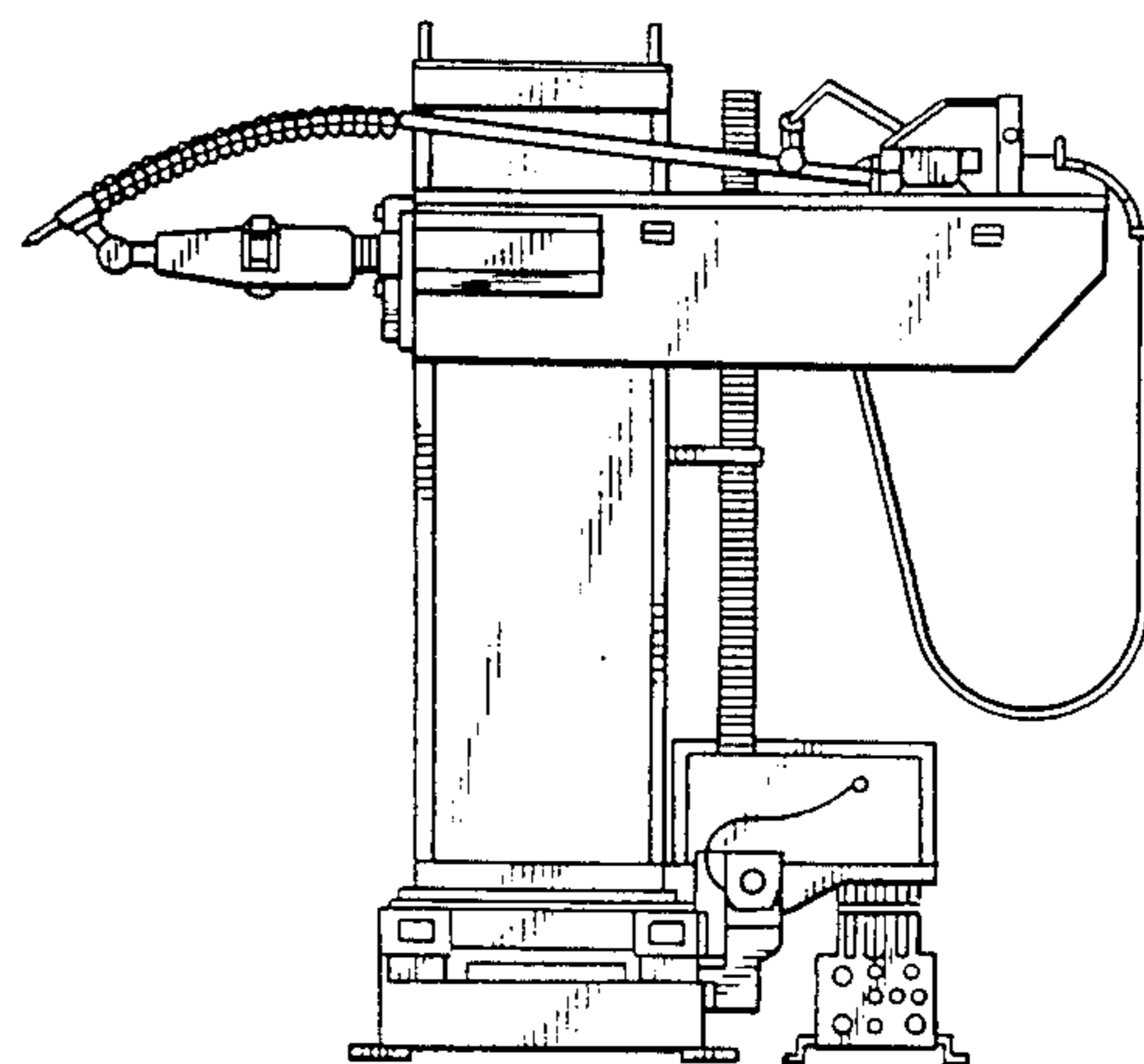


FIG. 5

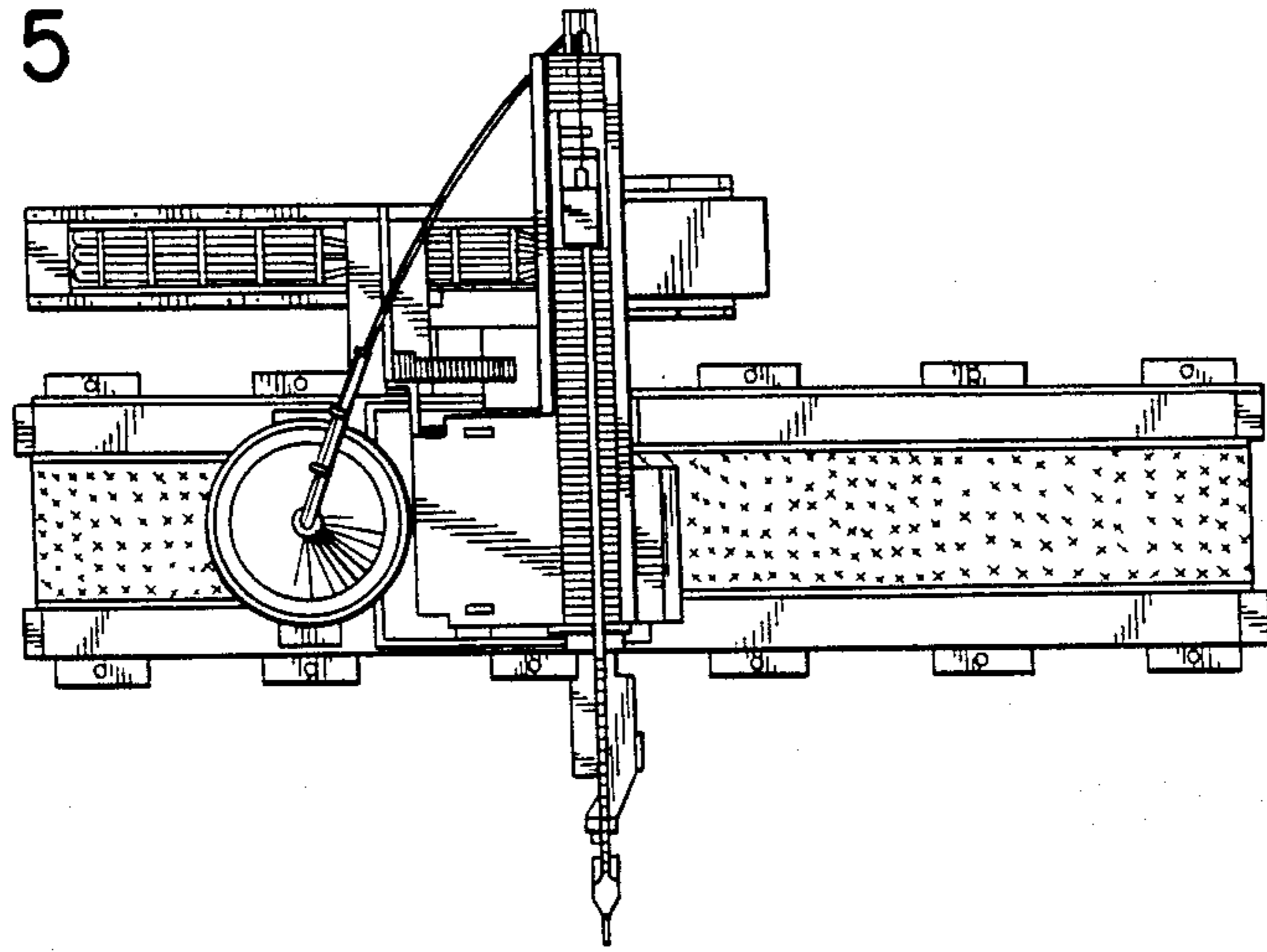


FIG. 6

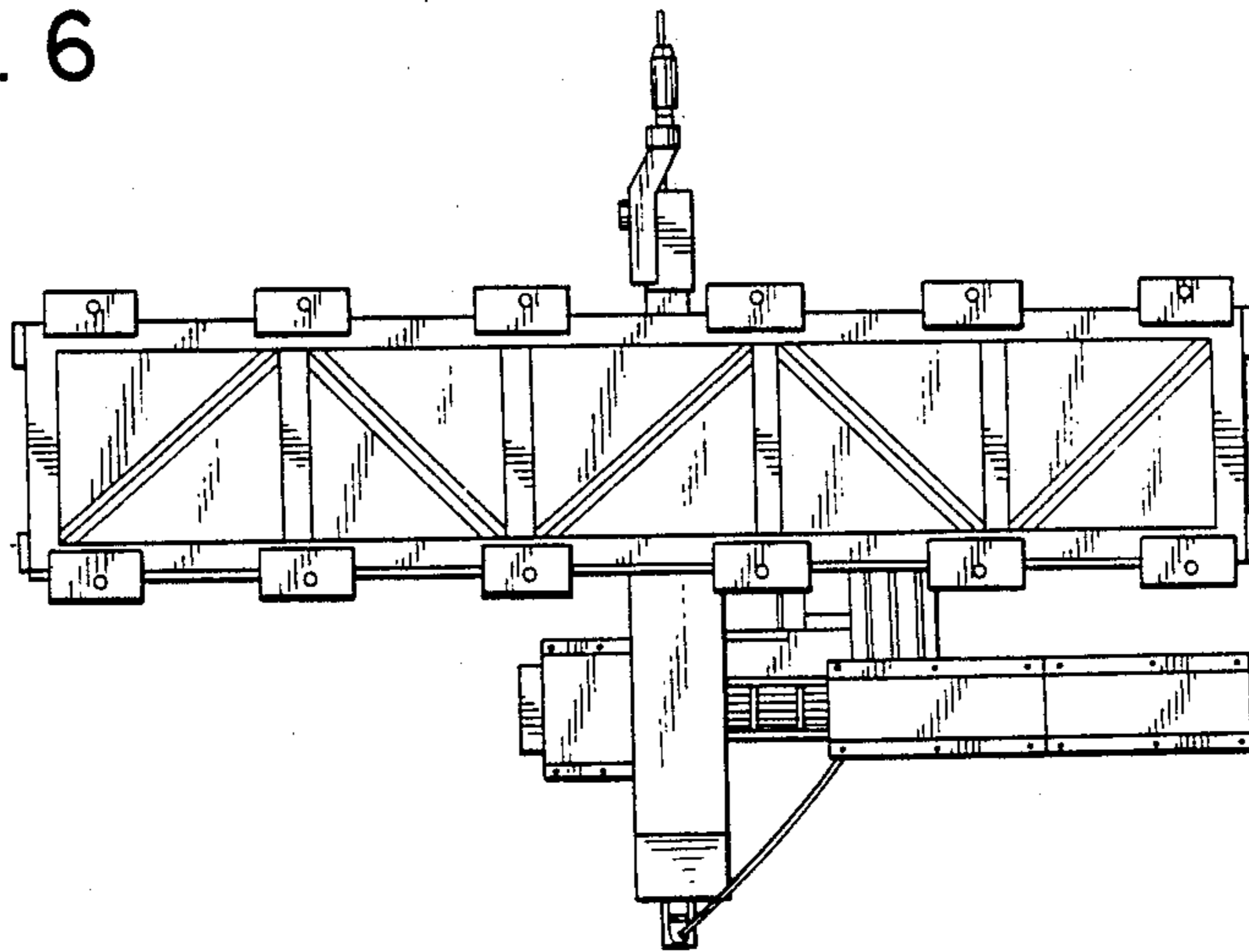


FIG. 7

