

# United States Patent [19]

Smith et al.

[11] Patent Number: Des. 294,588

[45] Date of Patent: \*\* Mar. 8, 1988

- [54] TOOL HOLDER FOR DRILL BIT OR THE LIKE
- [75] Inventors: Roger R. Smith, Erin; Kamalakar K. Rao, Elmira Heights, both of N.Y.
- [73] Assignee: Hardinge Brothers, Inc., Elmira, N.Y.
- [\*\*] Term: 14 Years
- [21] Appl. No.: 719,962
- [22] Filed: Apr. 4, 1985
- [52] U.S. Cl. .... D15/140
- [58] Field of Search ..... D15/132, 138-140; 82/4 R, 4 C, 36 R, 36 A, 37; 409/234; 29/35.5, 39, 40, 41; 408/35

3,444,781	5/1969	Sunderman et al. ....	409/234
3,450,002	6/1969	Shotter .....	29/40
3,760,472	9/1973	Kielma et al. ....	29/40
4,459,883	7/1984	Astle .....	82/40

Primary Examiner—Wallace R. Burke  
Assistant Examiner—Ruth Takemoto  
Attorney, Agent, or Firm—Shlesinger, Arkwright & Garvey

## [57] CLAIM

The ornamental design for a tool holder for drill bit or the like, as shown and described.

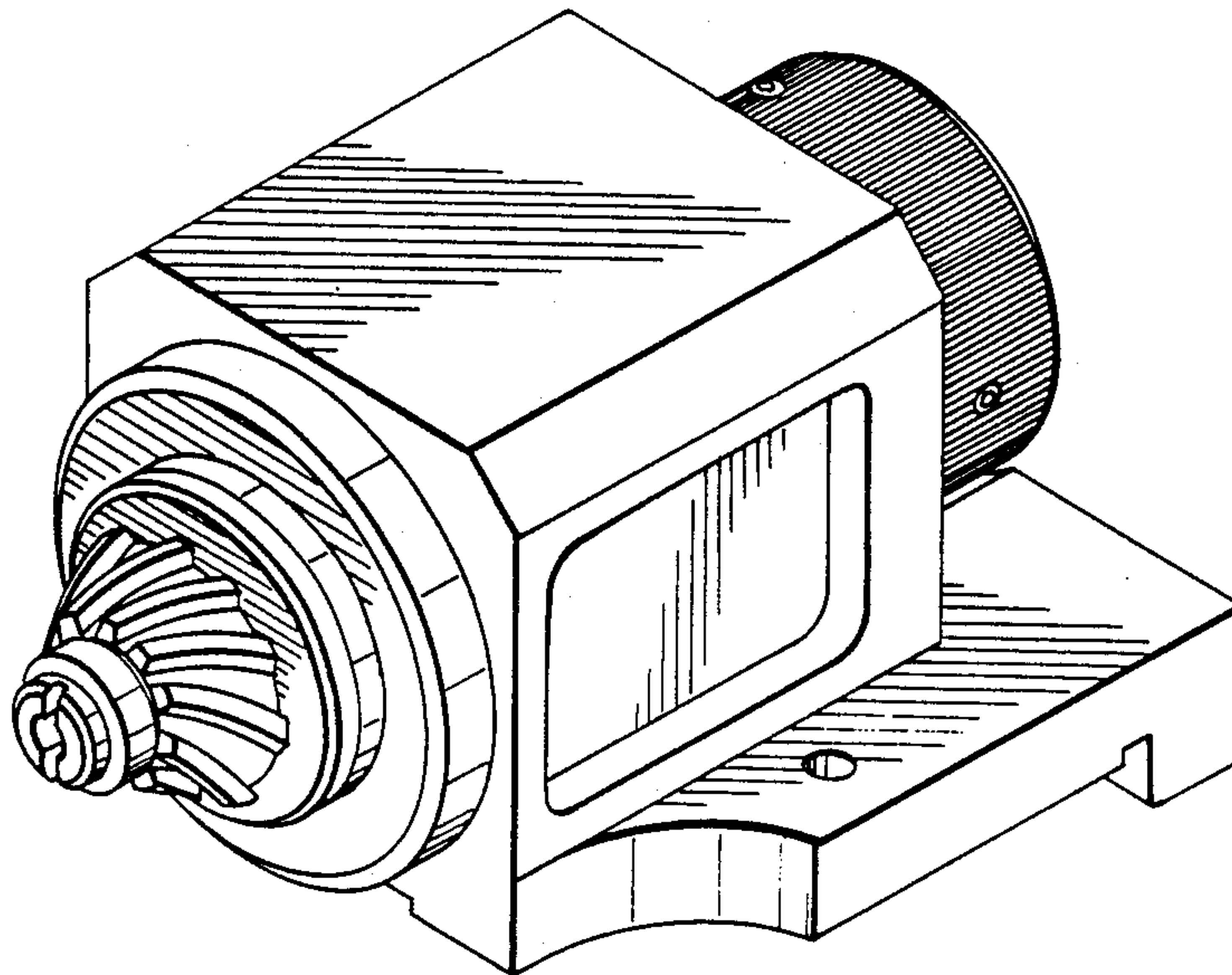
## DESCRIPTION

FIG. 1 is a top plan view of a tool holder for drill bit or the like showing our new design;  
FIG. 2 is a left-side elevational view thereof;  
FIG. 3 is a right-side elevational view thereof;  
FIG. 4 is a bottom plan view thereof;  
FIG. 5 is a front elevational view thereof; and,  
FIG. 6 is a rear elevational view thereof.  
FIG. 7 is a top, front and left side perspective view thereof.

## [56] References Cited

### U.S. PATENT DOCUMENTS

D. 275,761	10/1984	Astle .....	D15/140
2,435,354	2/1948	Hotchkiss, Jr. et al. ....	29/35.5
2,679,165	5/1954	Montgomery .....	29/41
3,134,276	5/1964	Abrams .....	29/40



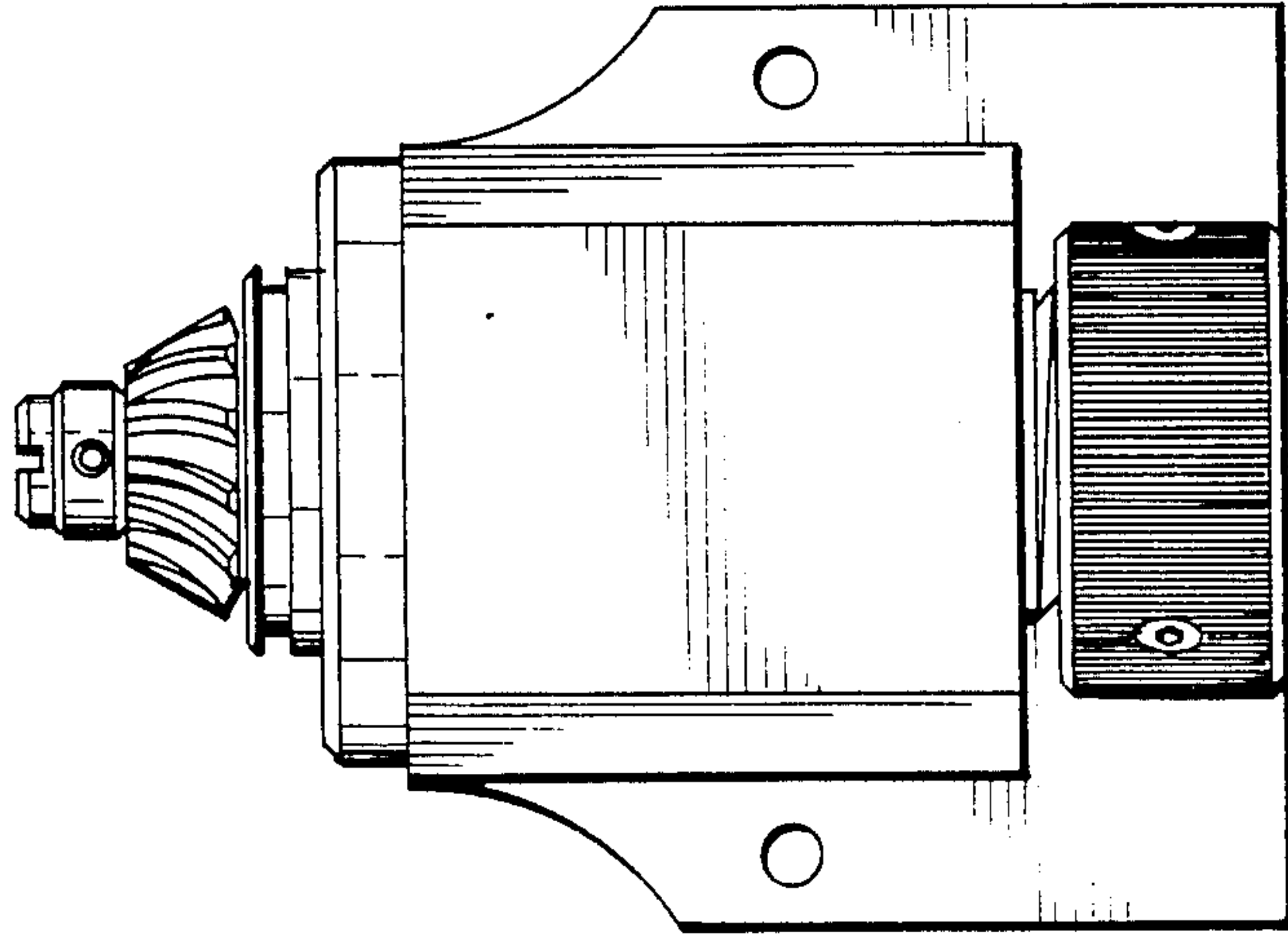


FIG 1

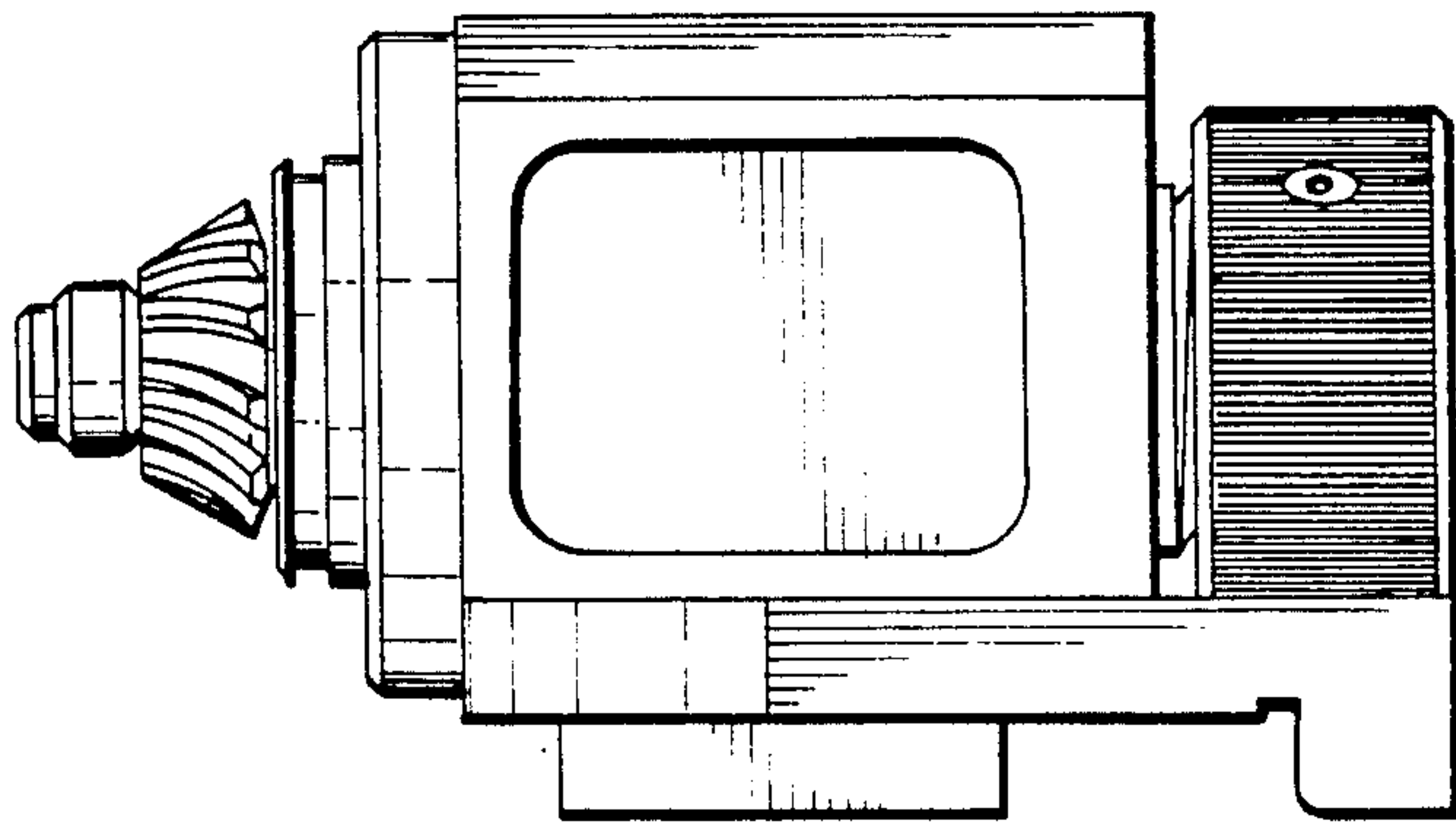


FIG 2

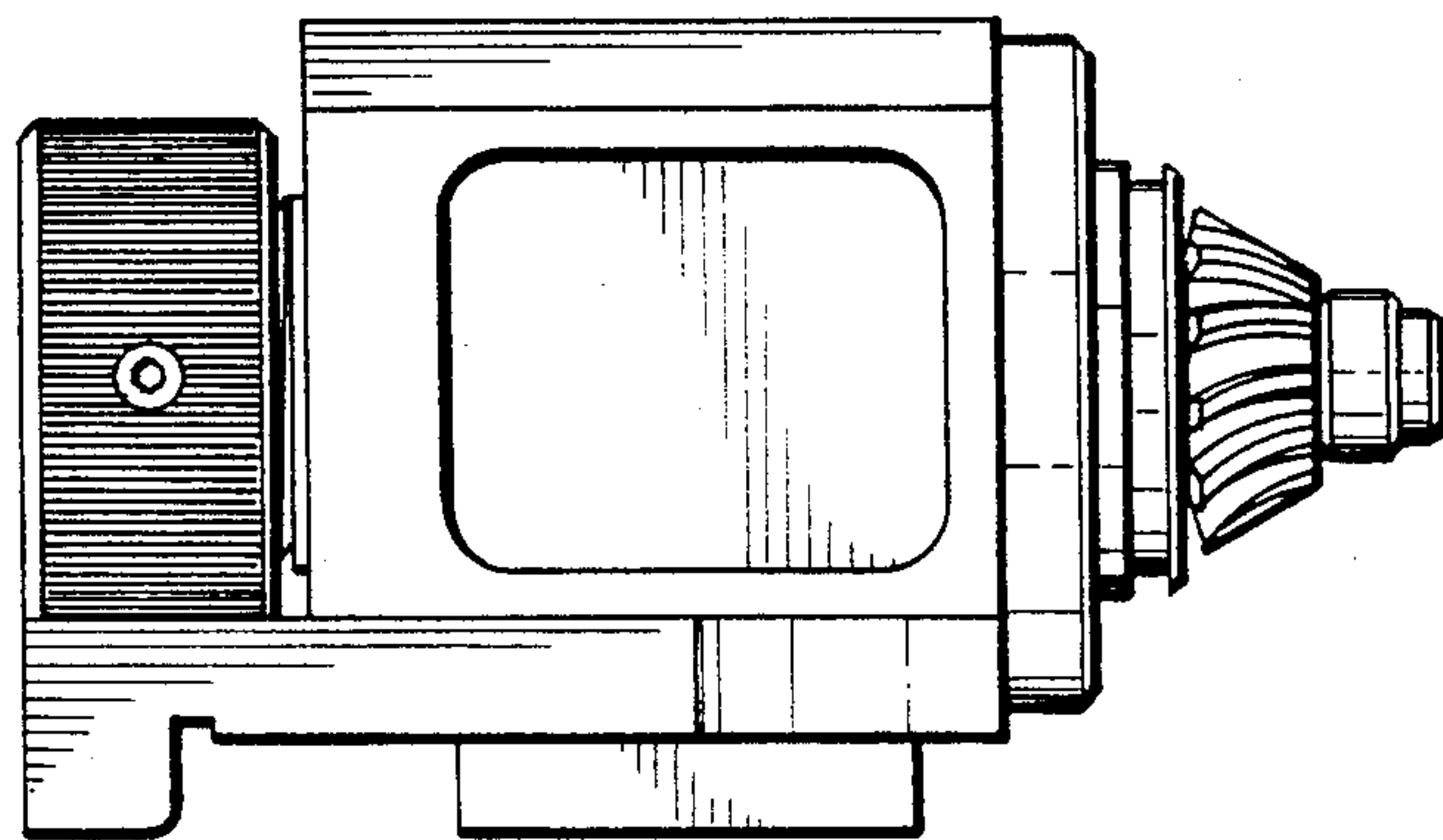


FIG 3

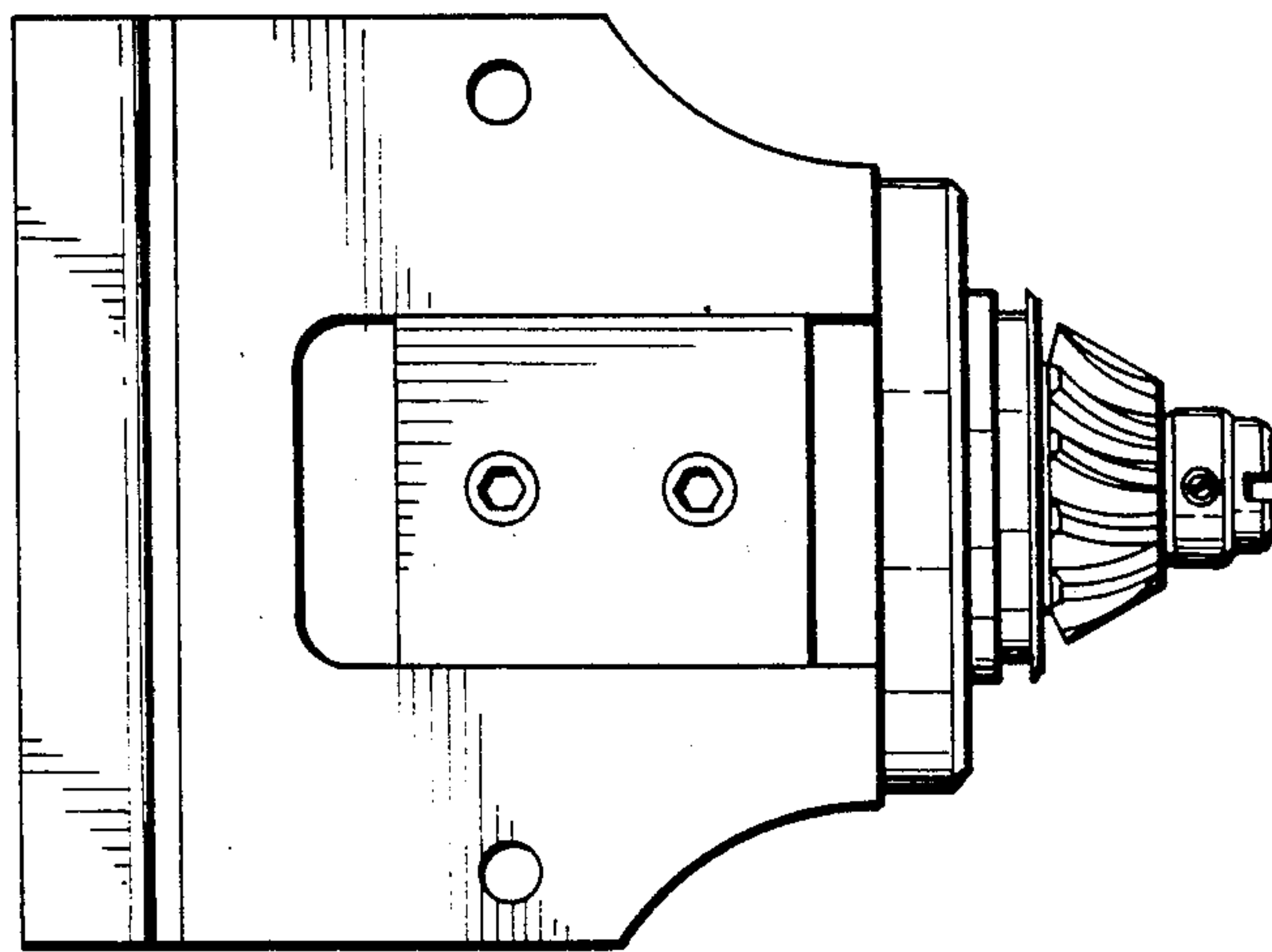


FIG 4

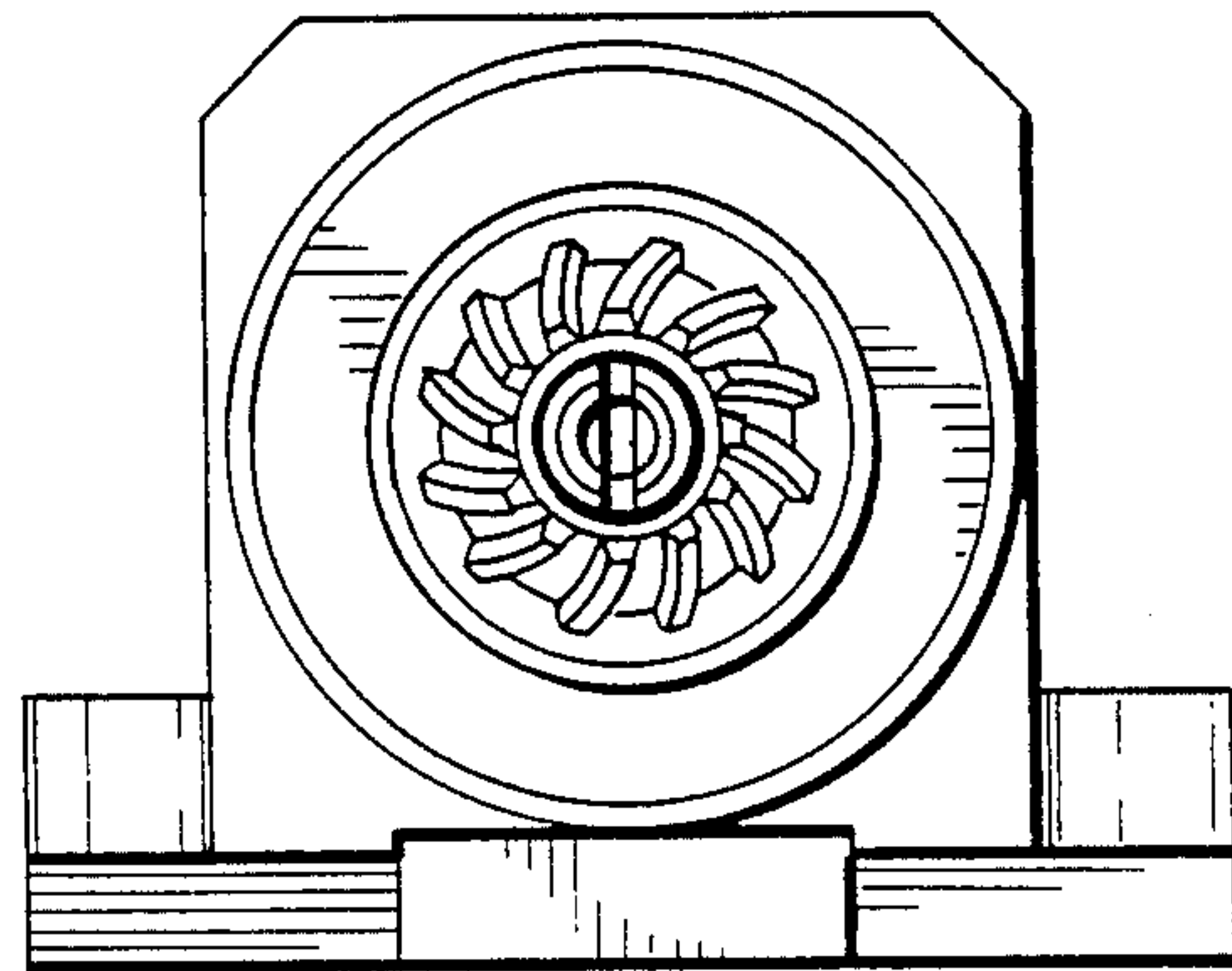


FIG 5

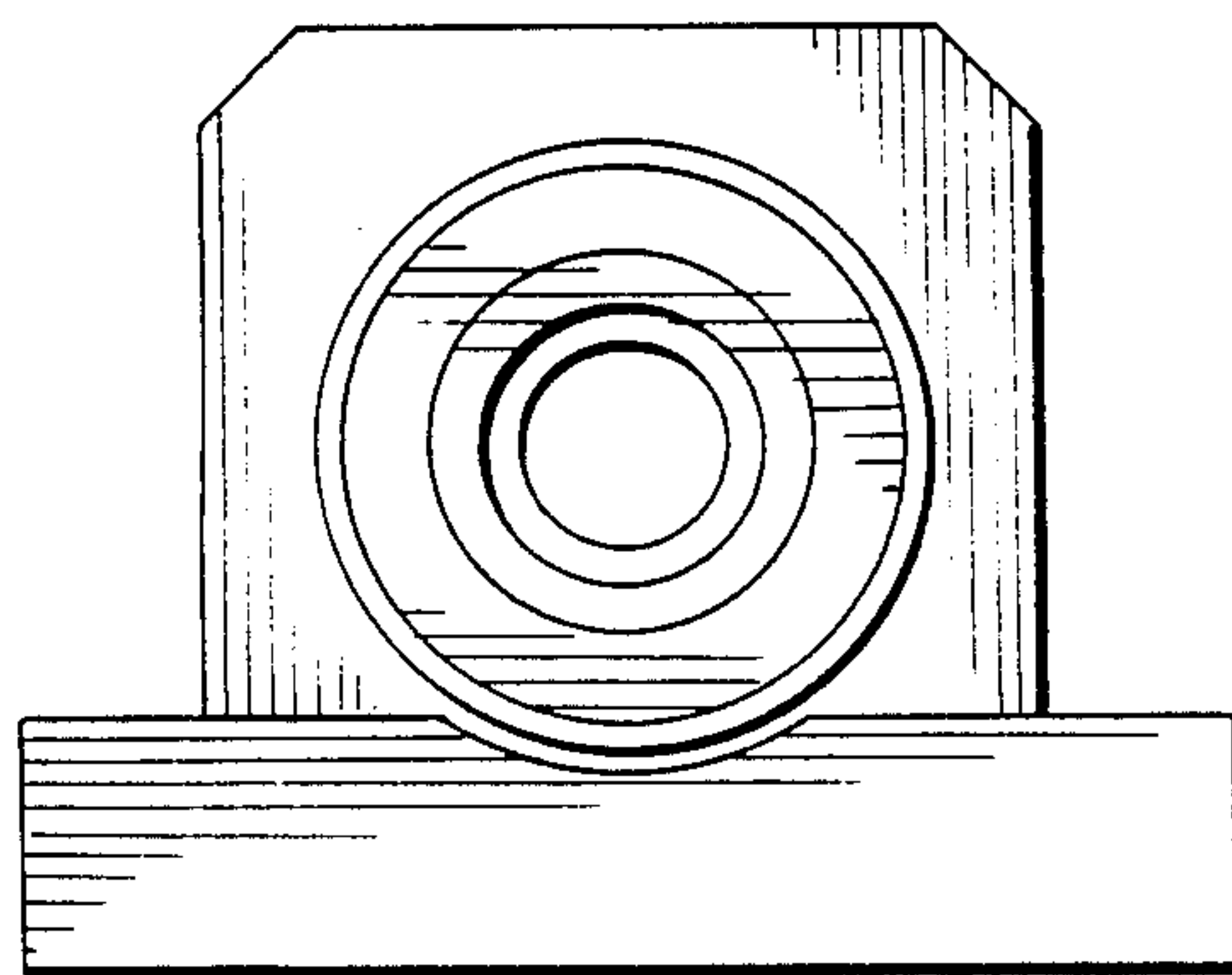


FIG 6

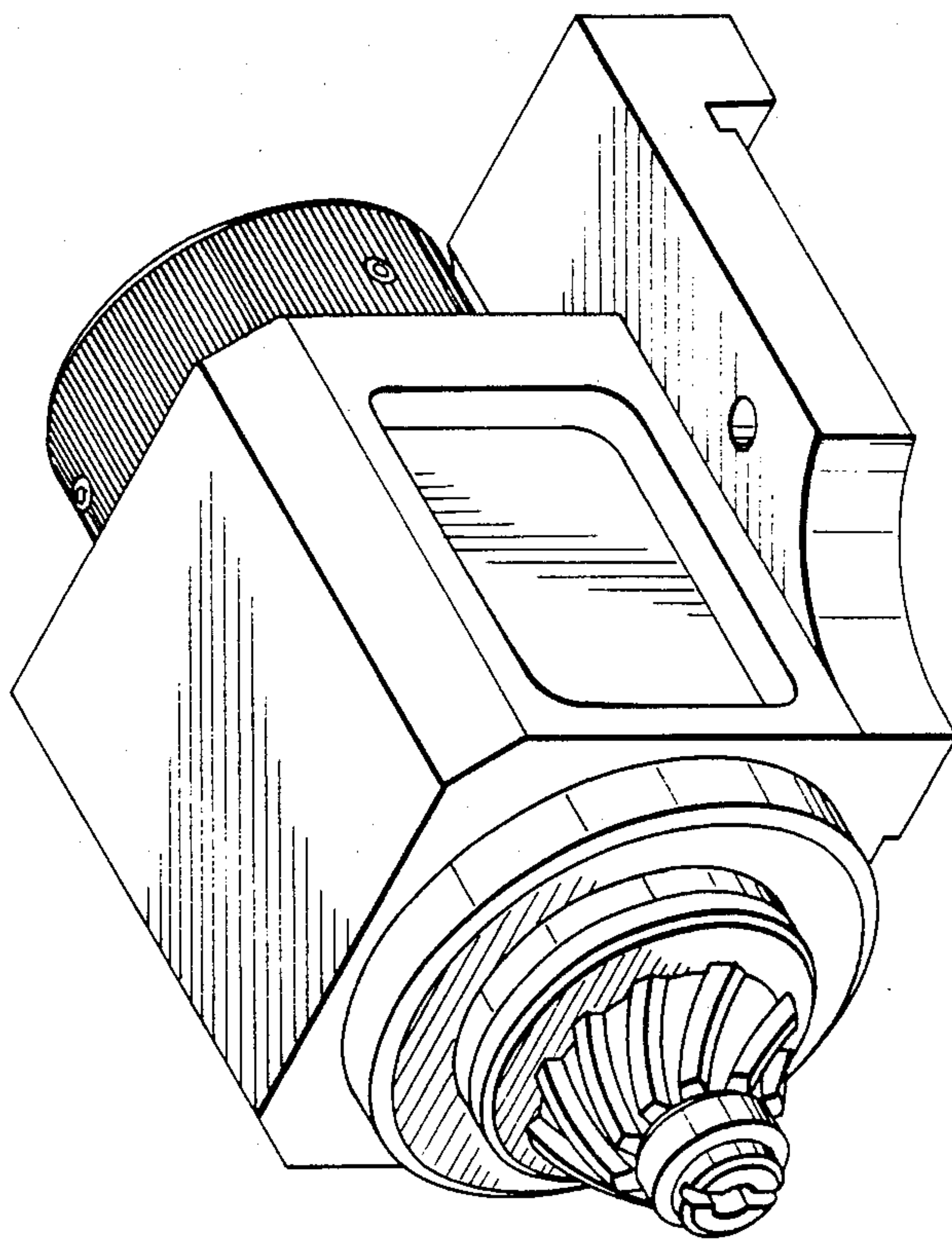


FIG 7