

[54] TOOL HOLDER FOR A DRILL BIT OR THE LIKE

[75] Inventors: Roger R. Smith, Erin; Kamalakar K. Rao, Elmira Heights, both of N.Y.

[73] Assignee: Hardinge Brothers, Inc., Elmira, N.Y.

[**] Term: 14 Years

[21] Appl. No.: 719,961

[22] Filed: Apr. 4, 1985

[52] U.S. Cl. D15/140

[58] Field of Search D15/132, 138-140; 82/4 R, 4 C, 36 R, 36 A, 37; 409/234; 29/35.5, 39, 40, 41; 408/35

[56] References Cited

U.S. PATENT DOCUMENTS

D. 275,761	10/1984	Astle	D15/140
2,435,354	2/1948	Hotchkiss, Jr. et al.	29/35.5
2,679,165	5/1954	Montgomery	29/41
3,134,276	5/1964	Abrams	29/40

3,444,781	5/1969	Sunderman et al.	409/234
3,450,002	6/1969	Shotter	29/40
3,760,472	9/1973	Kielma et al.	29/40
4,459,883	7/1984	Astle	82/4 C

Primary Examiner—Wallace R. Burke
Assistant Examiner—Ruth Takemoto
Attorney, Agent, or Firm—Shlesinger, Arkwright & Garvey

[57] CLAIM

The ornamental design for a tool holder for a drill bit or the like, as shown and described.

DESCRIPTION

FIG. 1 is a top plan view of a tool holder for a drill bit or the like showing our new design; FIG. 2 is a left-side elevational view thereof; FIG. 3 is a right-side elevational view thereof; FIG. 4 is a bottom plan view thereof; FIG. 5 is a front elevational view thereof; and, FIG. 6 is a rear elevational view thereof. FIG. 7 is a top, front and left side perspective view thereof.

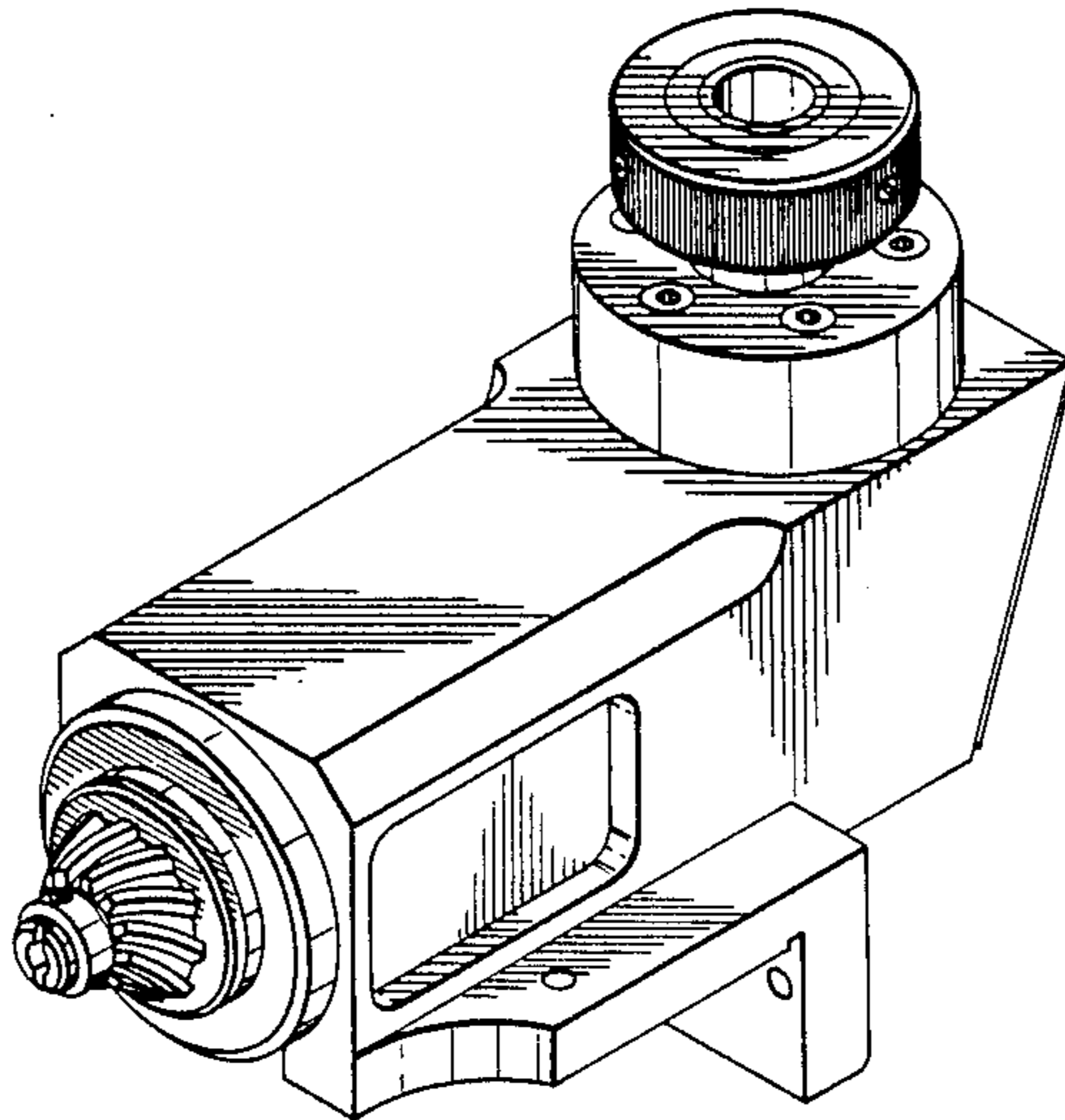


FIG 1

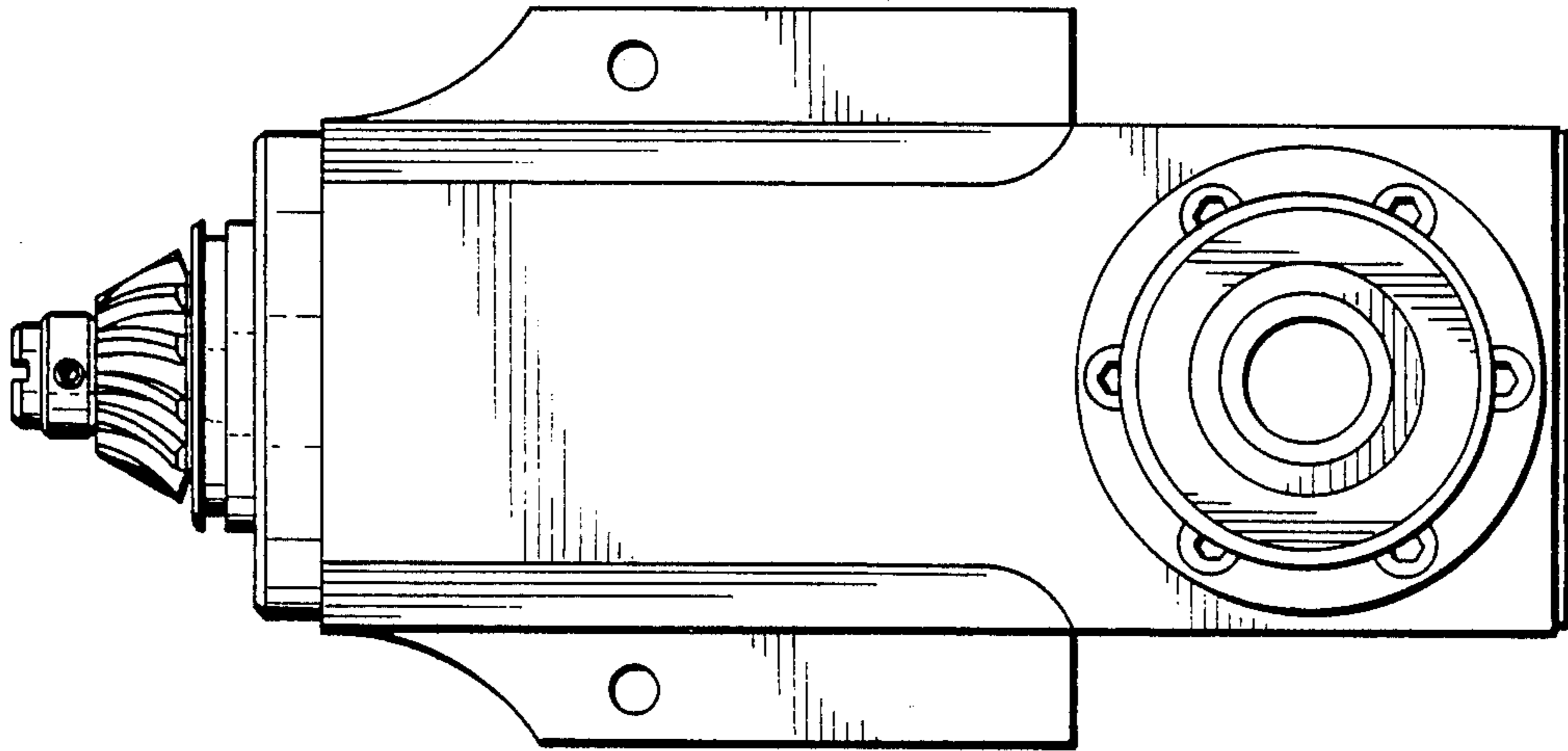
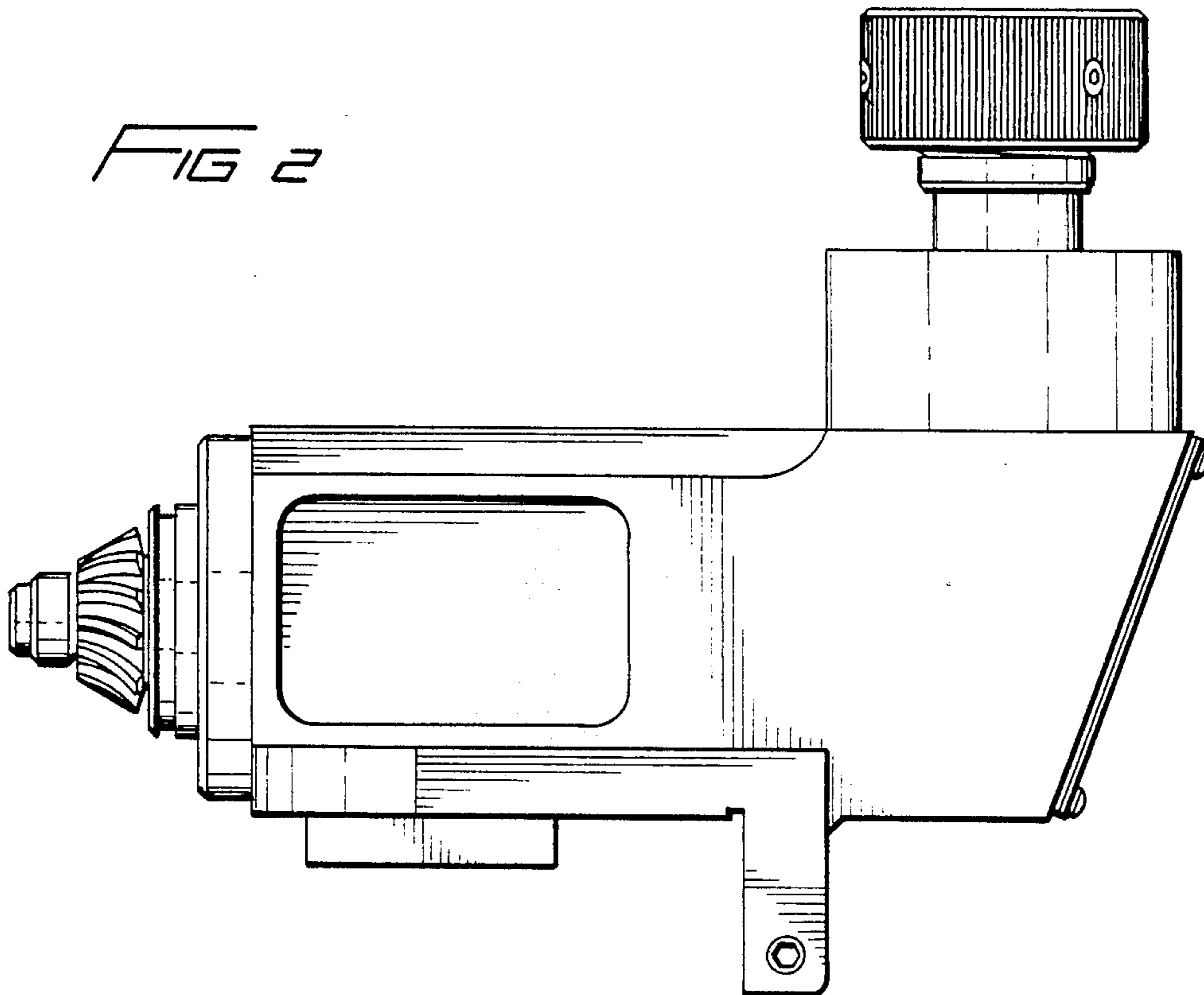


FIG 2



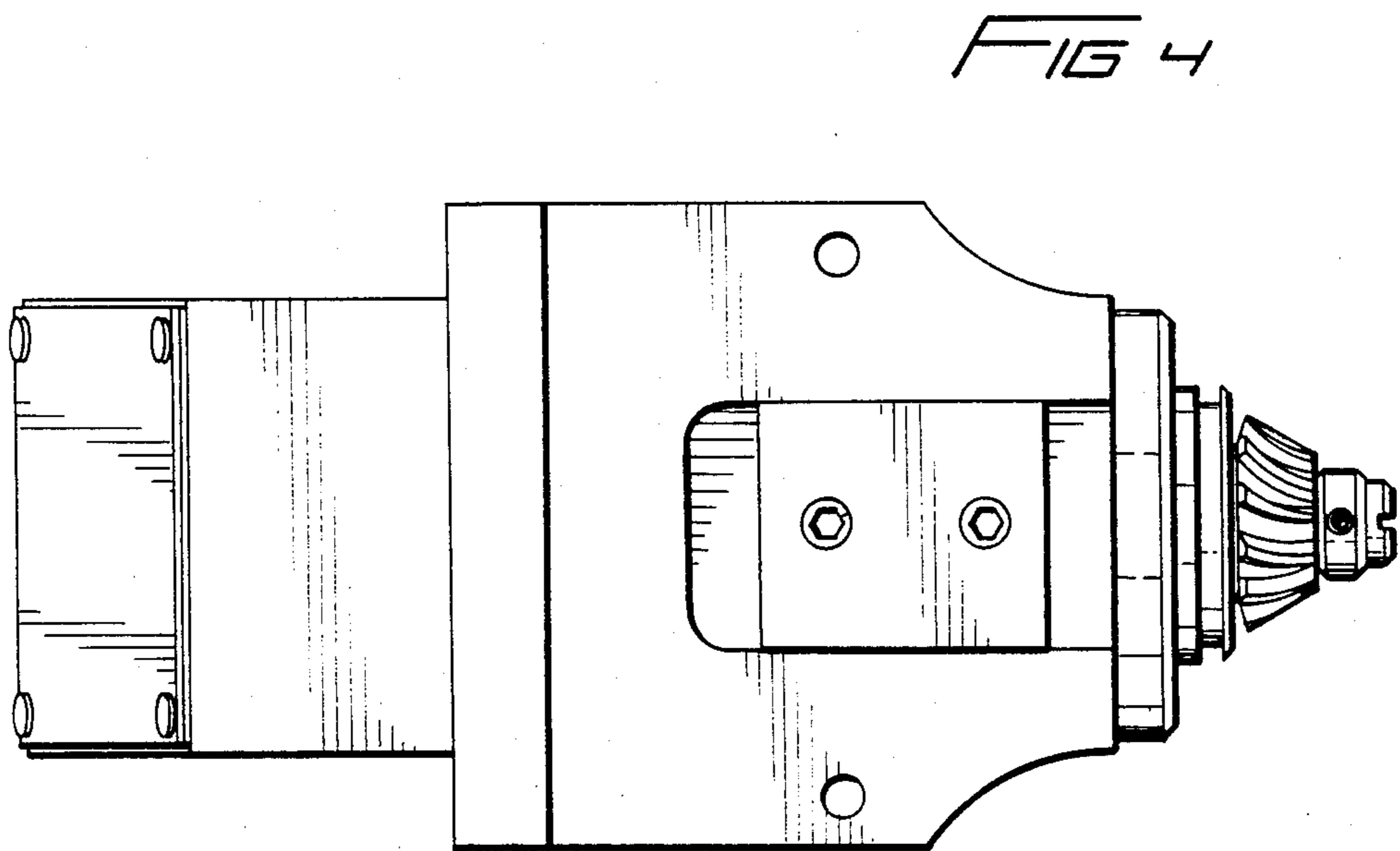
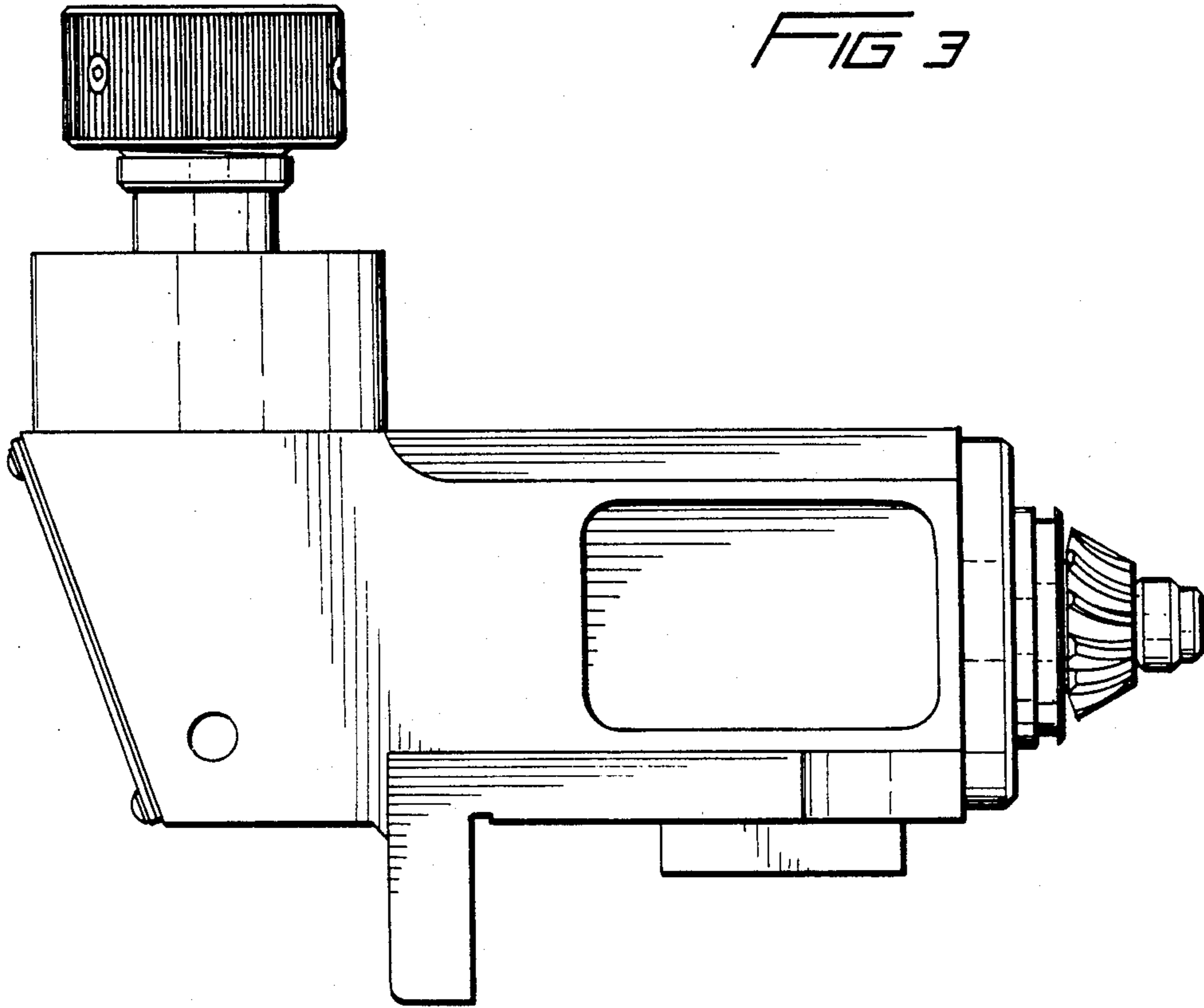


FIG 5

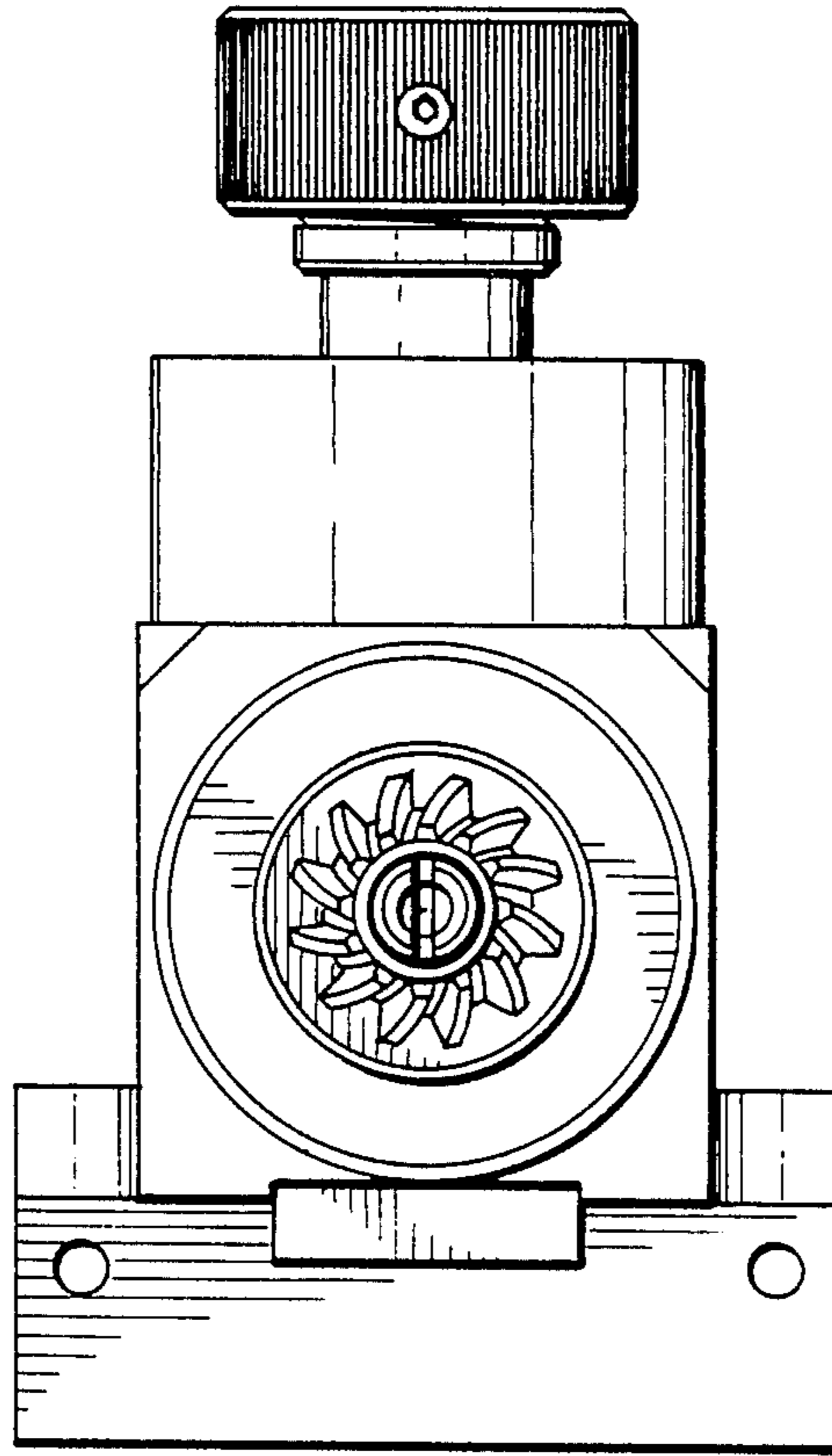
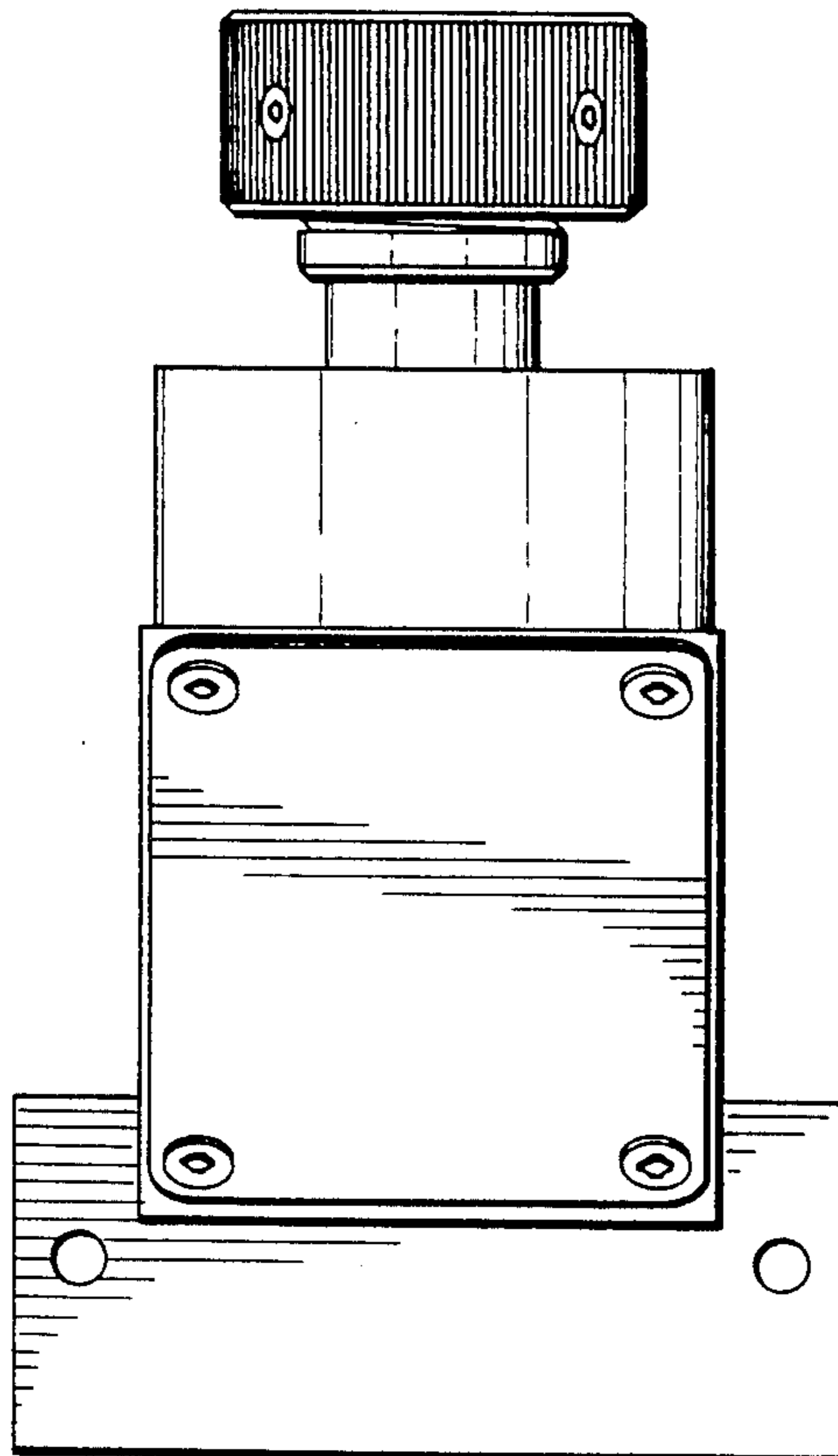


FIG 6



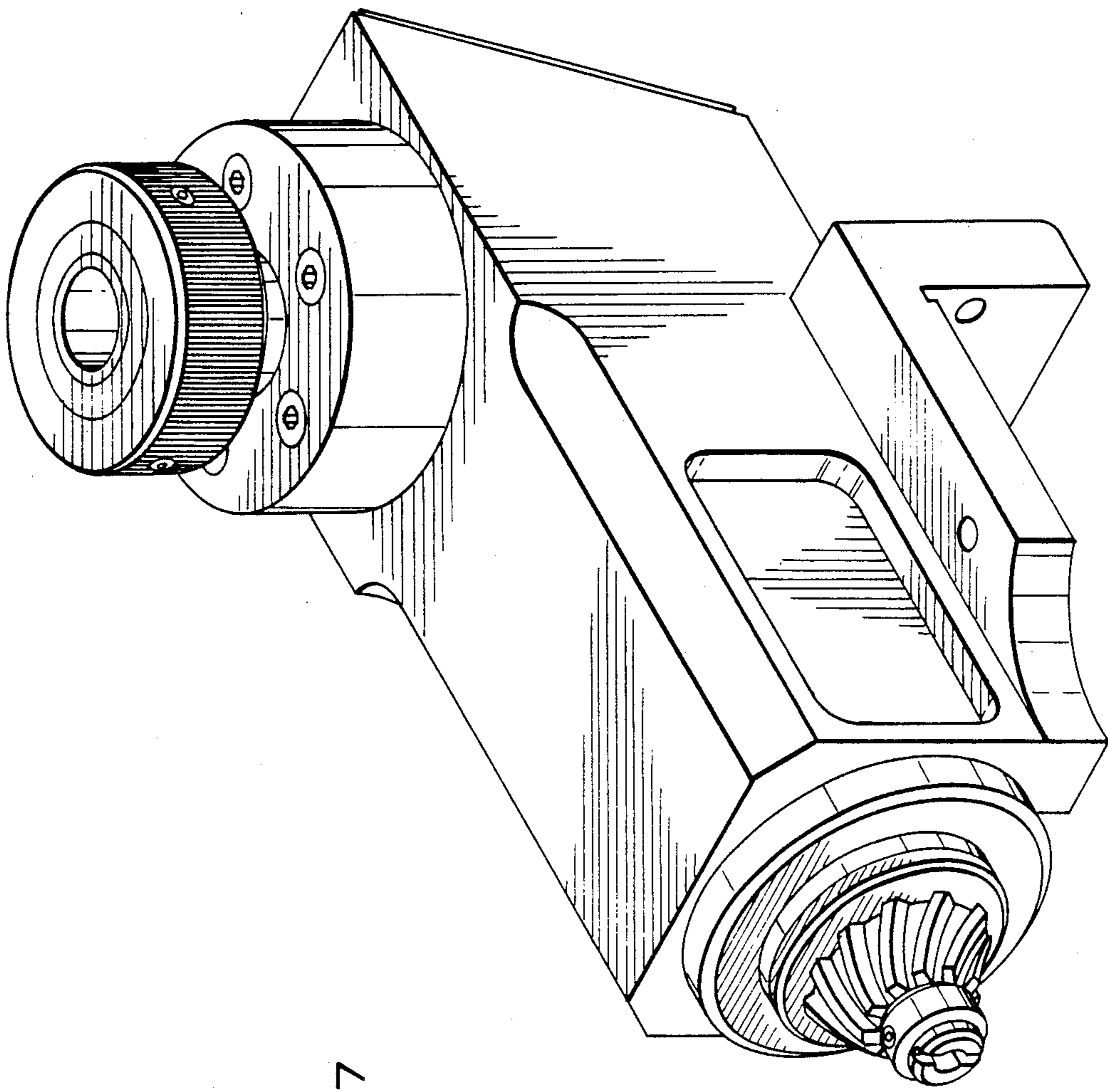


FIG 7