

[54] MULTIOPERATION MACHINE

[75] Inventor: Åke Sandén, Värnamo, Sweden

[73] Assignee: AB Sajo Maskin, Värnamo, Sweden

[\*\*] Term: 14 Years

[21] Appl. No.: 726,231

[22] Filed: Apr. 23, 1985

[30] Foreign Application Priority Data

Nov. 1, 1984 [SE] Sweden ..... 84-2924

[52] U.S. Cl. .... D15/122; D15/127; D15/199

[58] Field of Search ..... D15/122, 127, 131, 132, D15/133, 123, 141; 29/33 R, 33.5, 56.5, 50, 39; 82/2 R

[56] References Cited

U.S. PATENT DOCUMENTS

D. 204,207 3/1966 Miles, Jr. .... D15/141

D. 215,324	9/1969	Fleming .....	D15/141
D. 221,590	8/1971	Larsen et al. ....	D15/127
D. 274,911	7/1984	Sato .....	D15/130
3,436,994	4/1969	Diener et al. ....	29/39
4,006,518	2/1977	Rudolph et al. ....	29/39
4,612,832	9/1986	Ushigoe et al. ....	82/2 R

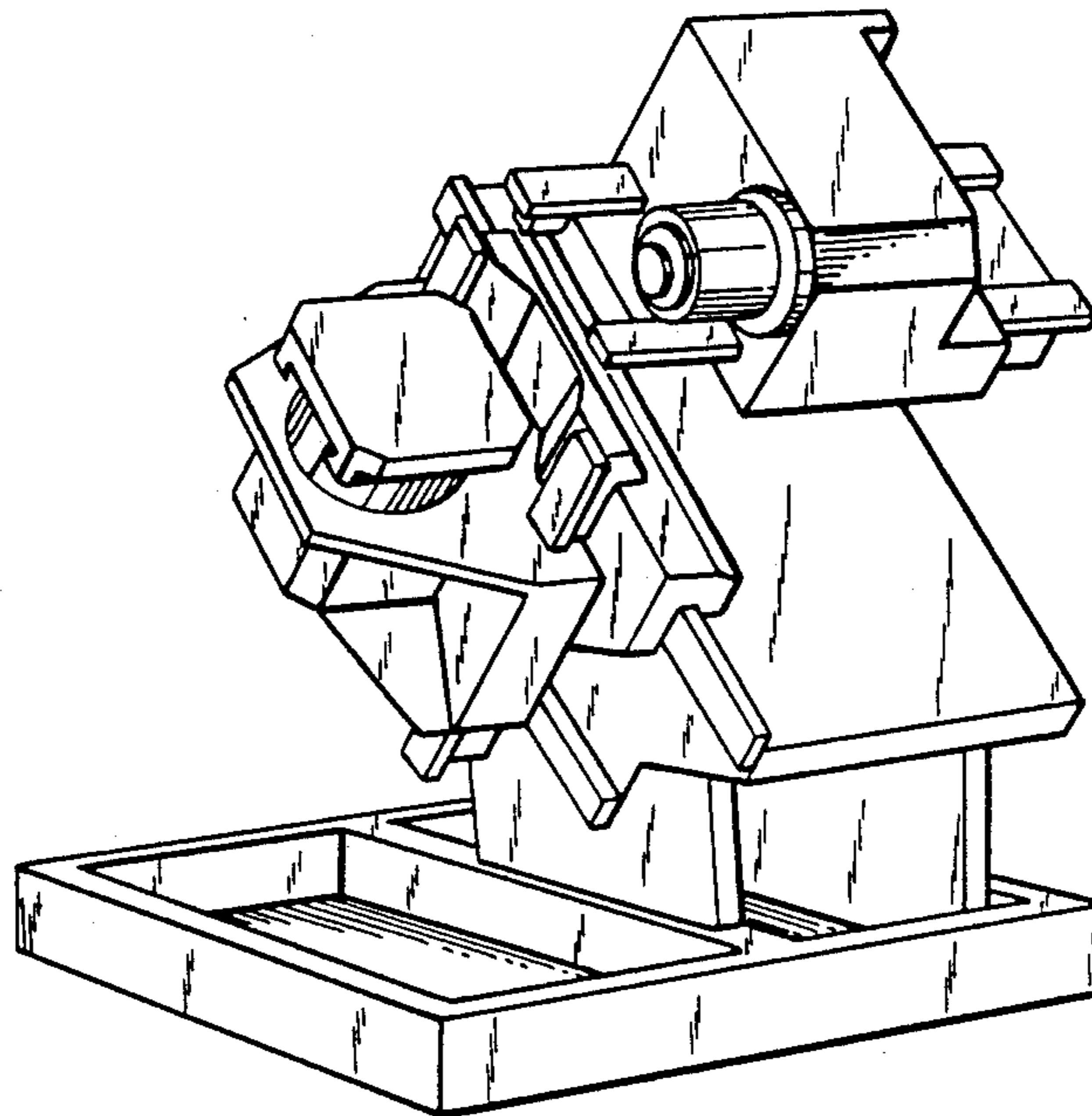
Primary Examiner—B. J. Bullock  
Attorney, Agent, or Firm—Shapiro and Shapiro

[57] CLAIM

The ornamental design for a multioperation machine, as shown.

DESCRIPTION

FIG. 1 is a front, left perspective view of a multioperation machine, showing my new design;  
FIG. 2 is a front, right perspective view thereof;  
FIG. 3 is a rear, left perspective view thereof.  
The bottom and the portion of the right side which is not visible in FIG. 3 follow the contours shown and are unornamented.



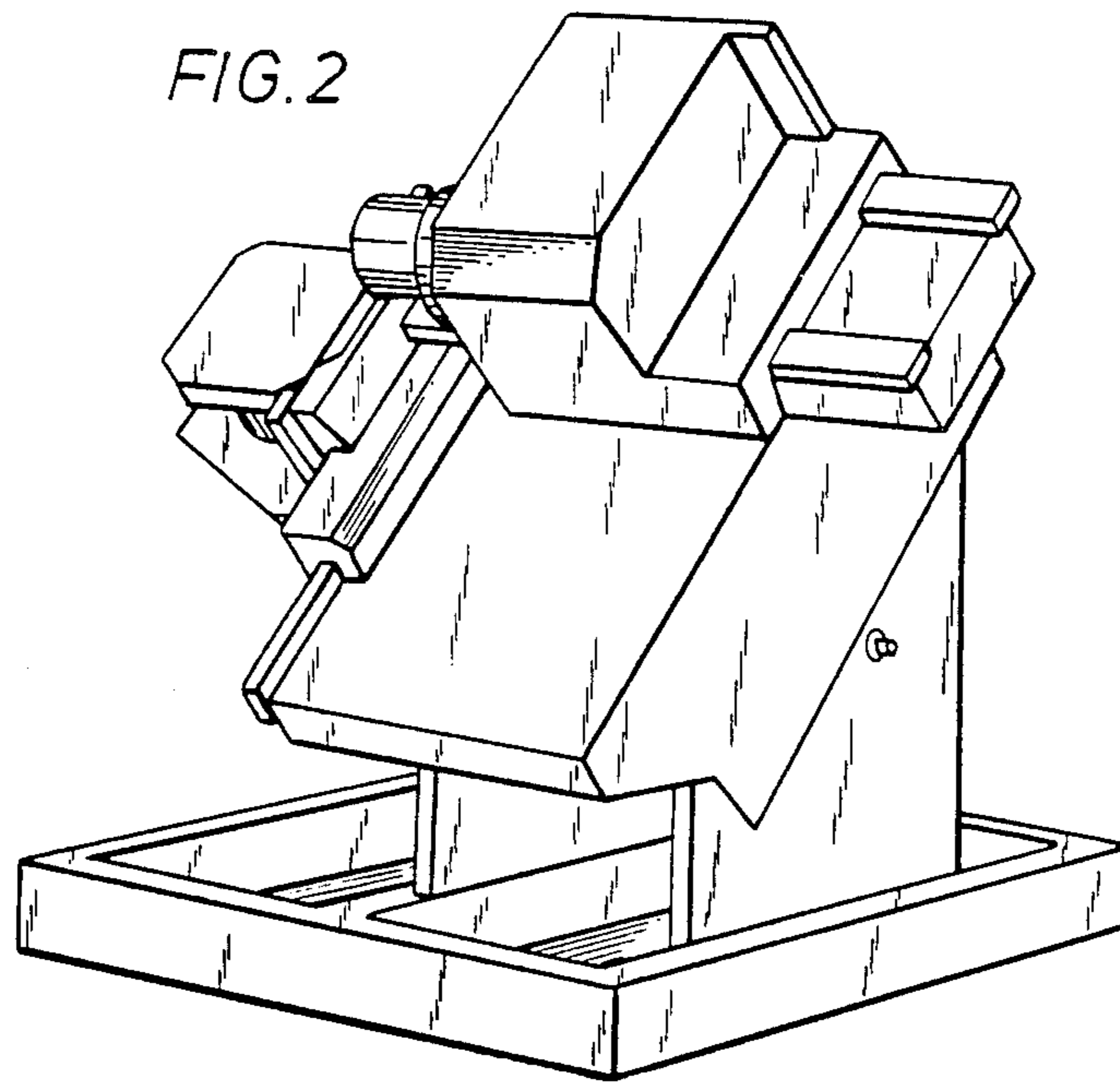
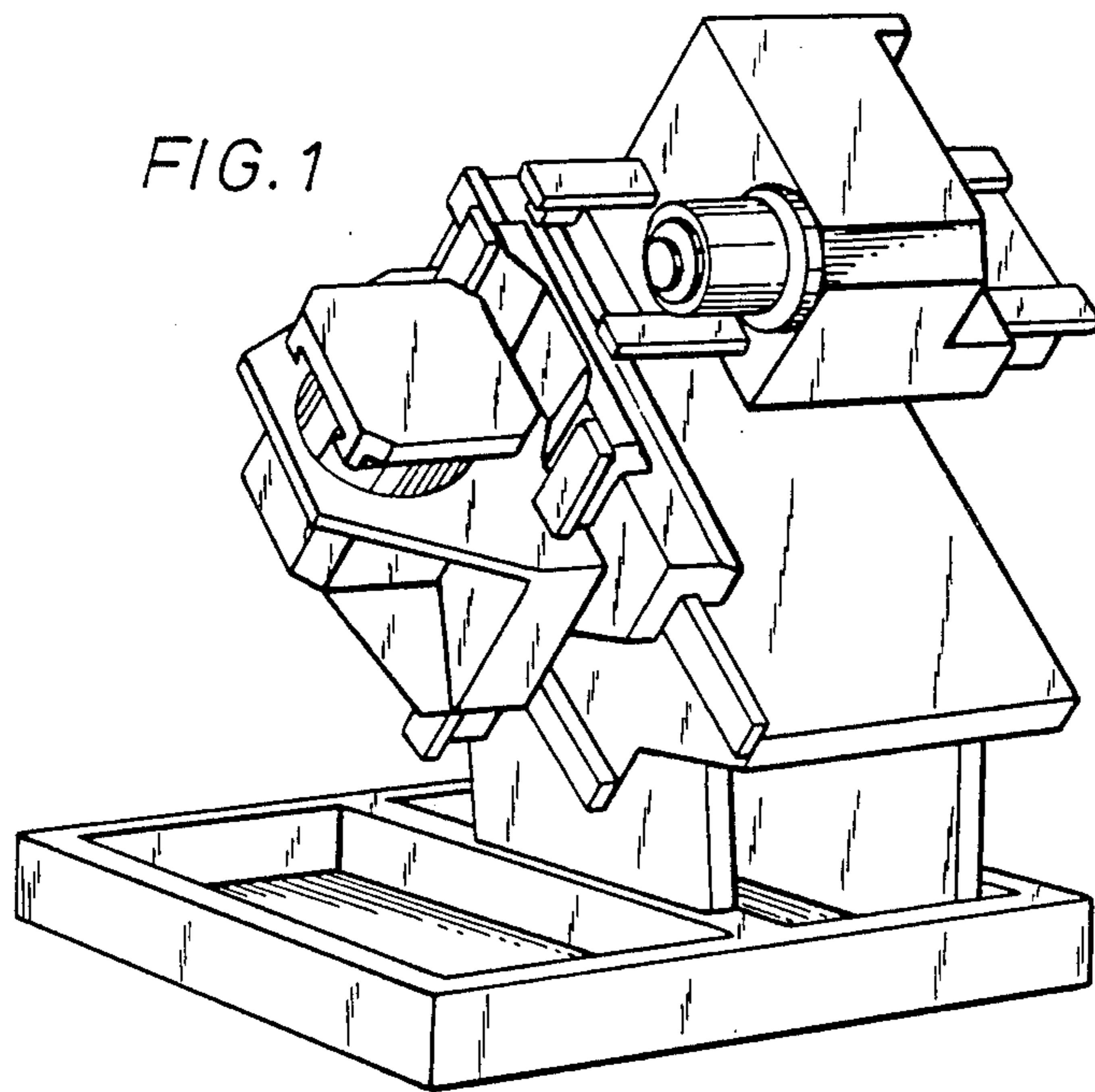


FIG. 3

