

[54] TENDER

[75] Inventors: John E. Blumer; Richard J. Ehmke, both of Beatrice, Nebr.

[73] Assignee: Dempster Industries, Inc., Beatrice, Nebr.

[\*\*] Term: 14 Years

[21] Appl. No.: 742,021

[22] Filed: Aug. 5, 1985

[52] U.S. Cl. .... D15/27

[58] Field of Search ..... D15/10, 13, 27, 33; 298/24, 26-27; 221/185; 198/568; 56/202, 219, 473.5; 222/608

[56] References Cited

U.S. PATENT DOCUMENTS

D. 198,327 6/1964 Tyler ..... D15/13  
2,827,204 3/1958 McCurdy ..... 222/608

3,318,486	5/1967	Felix	.....	298/24
3,554,576	1/1971	Parker	.....	298/24
4,070,059	1/1978	Ksenych	.....	298/27
4,324,434	4/1982	Friese	.....	298/27
4,646,942	3/1987	Kuhns	.....	298/24

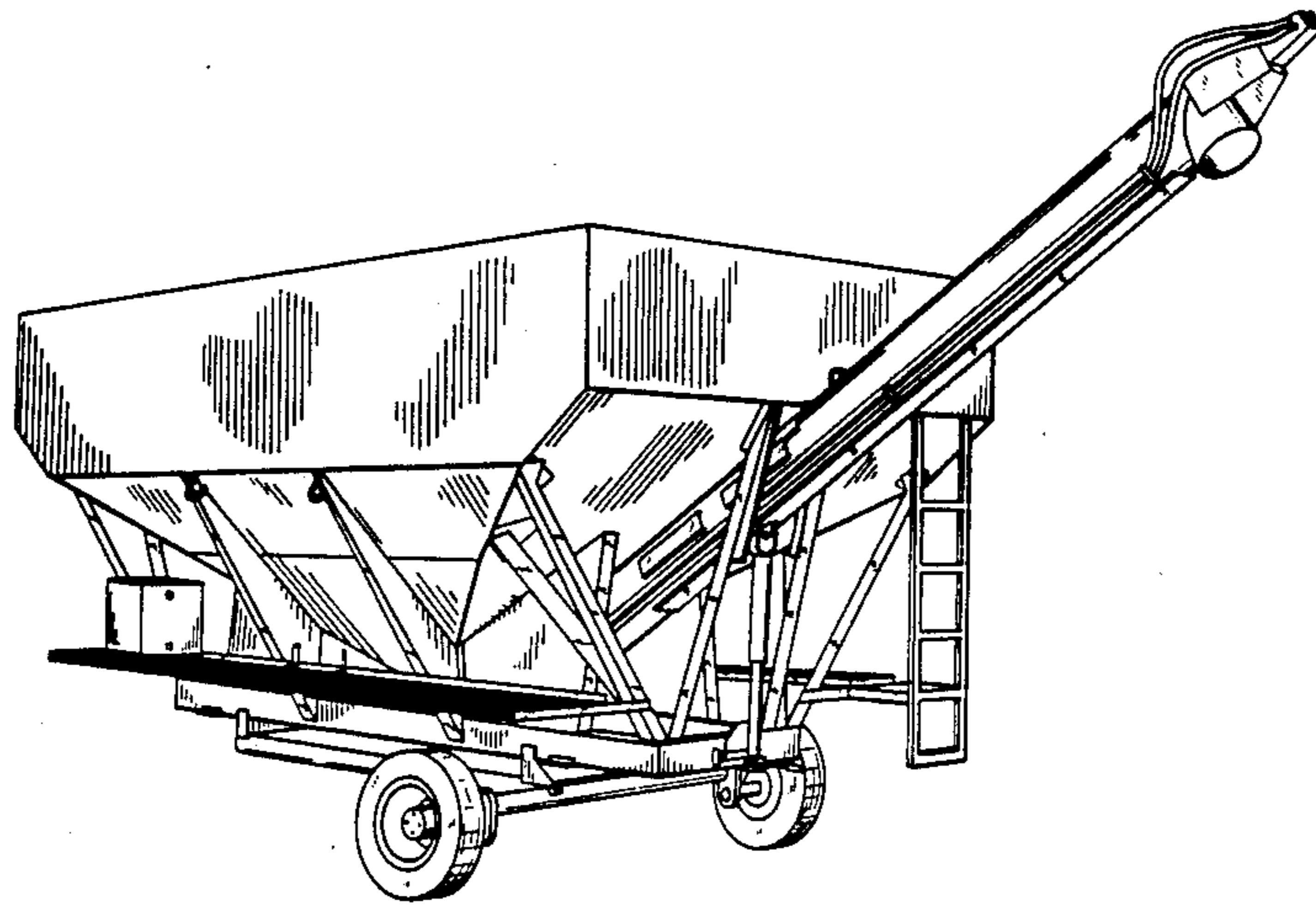
Primary Examiner—Wallace R. Burke  
Assistant Examiner—Ruth Takemoto  
Attorney, Agent, or Firm—Hugh D. Jaeger

[57] CLAIM

The ornamental design for a tender, as shown.

DESCRIPTION

FIG. 1 is a right side elevational view of a tender showing our new design;  
FIG. 2 is a rear elevational view thereof;  
FIG. 3 is a left side elevational view thereof;  
FIG. 4 is a front elevational view thereof;  
FIG. 5 is a top plan view thereof;  
FIG. 6 is a bottom plan view thereof; and  
FIG. 7 is a rear and right side perspective view thereof.



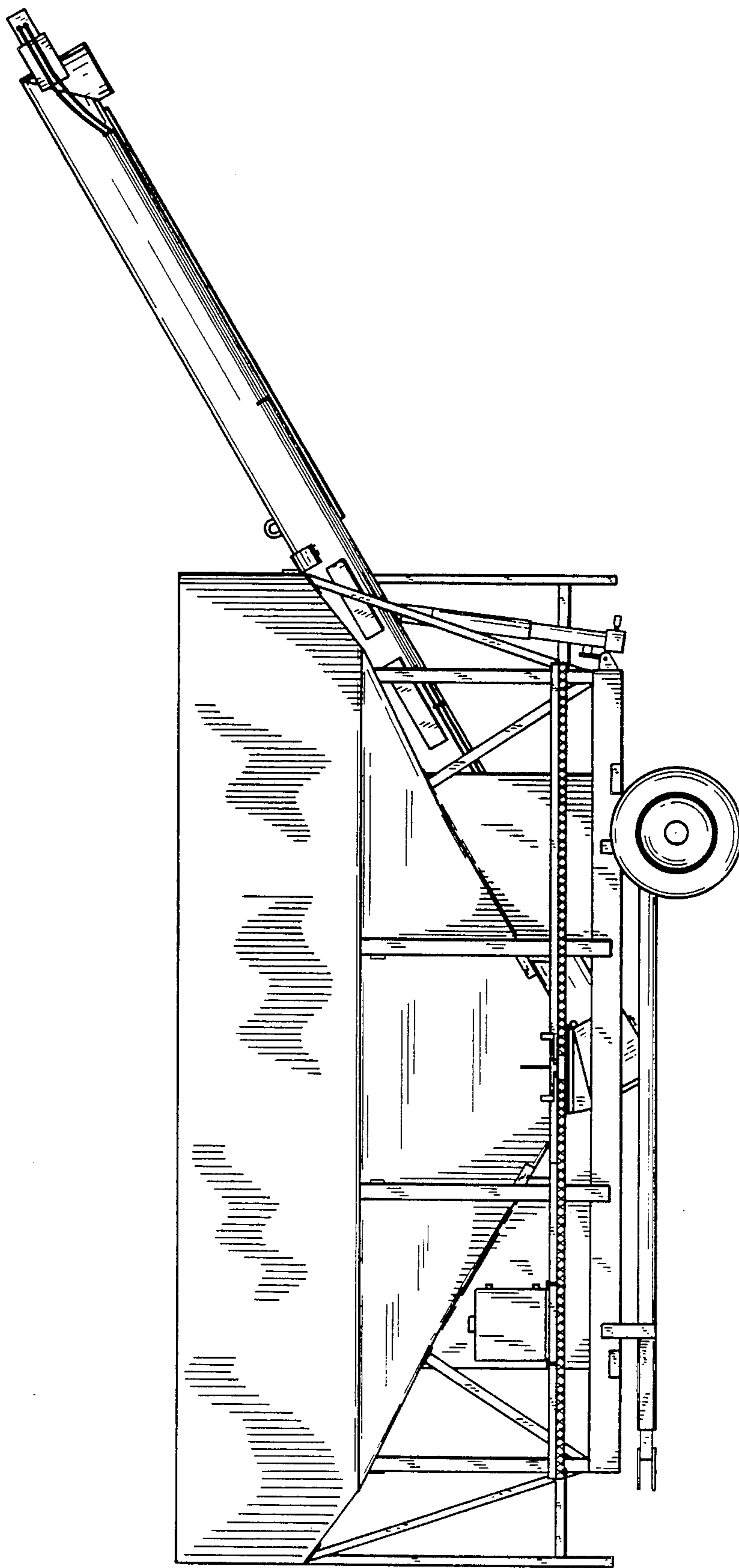


FIG. 1

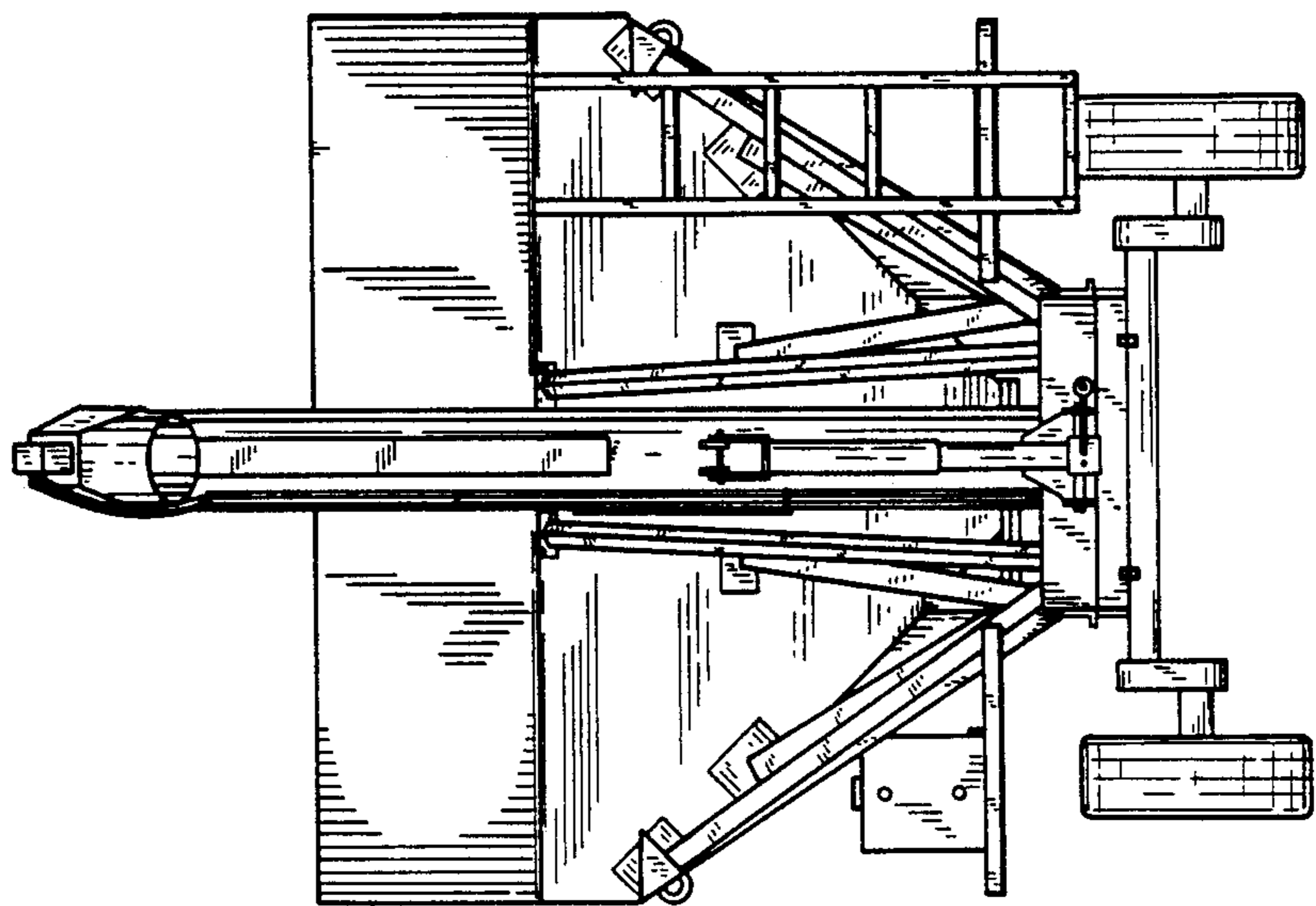


FIG. 2

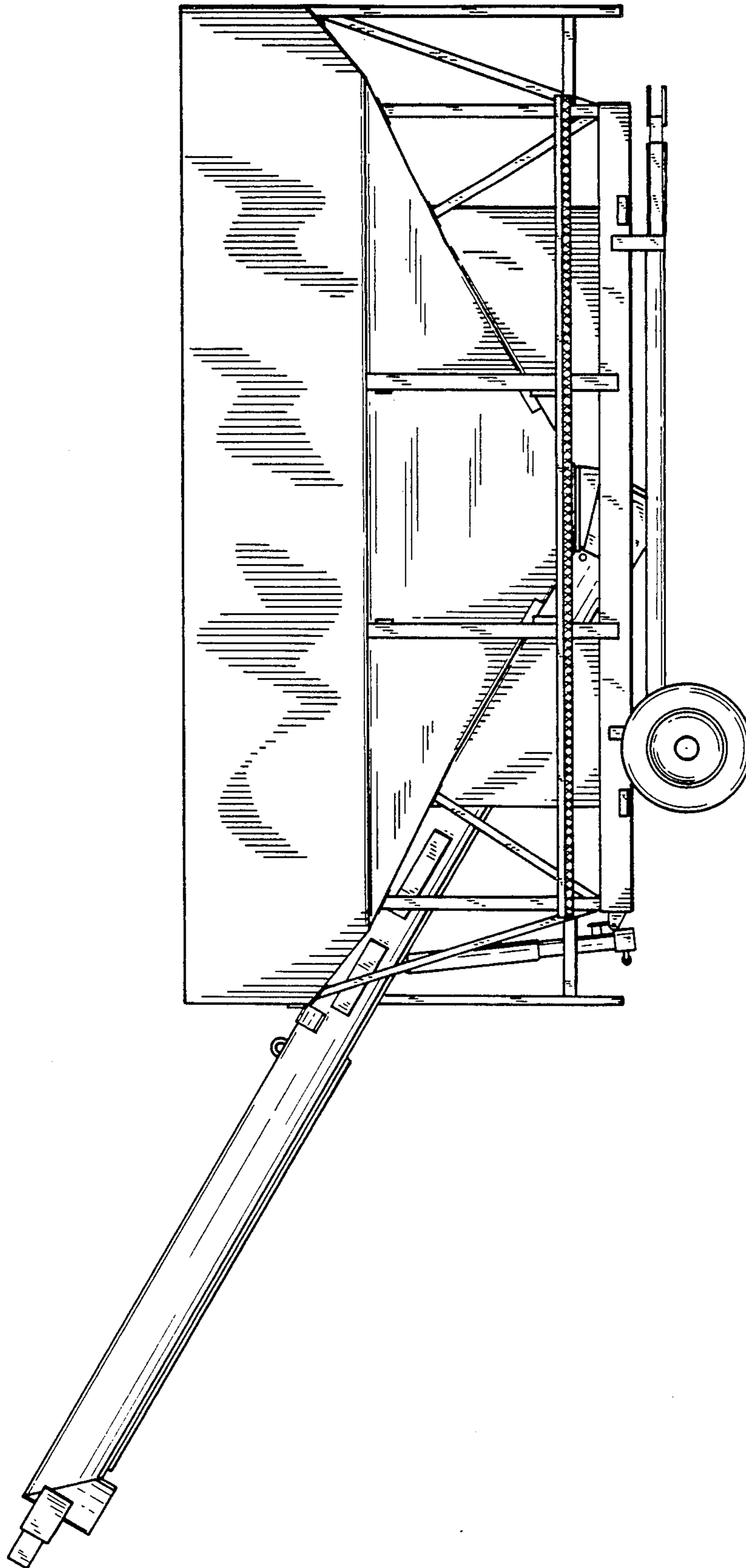


FIG. 3

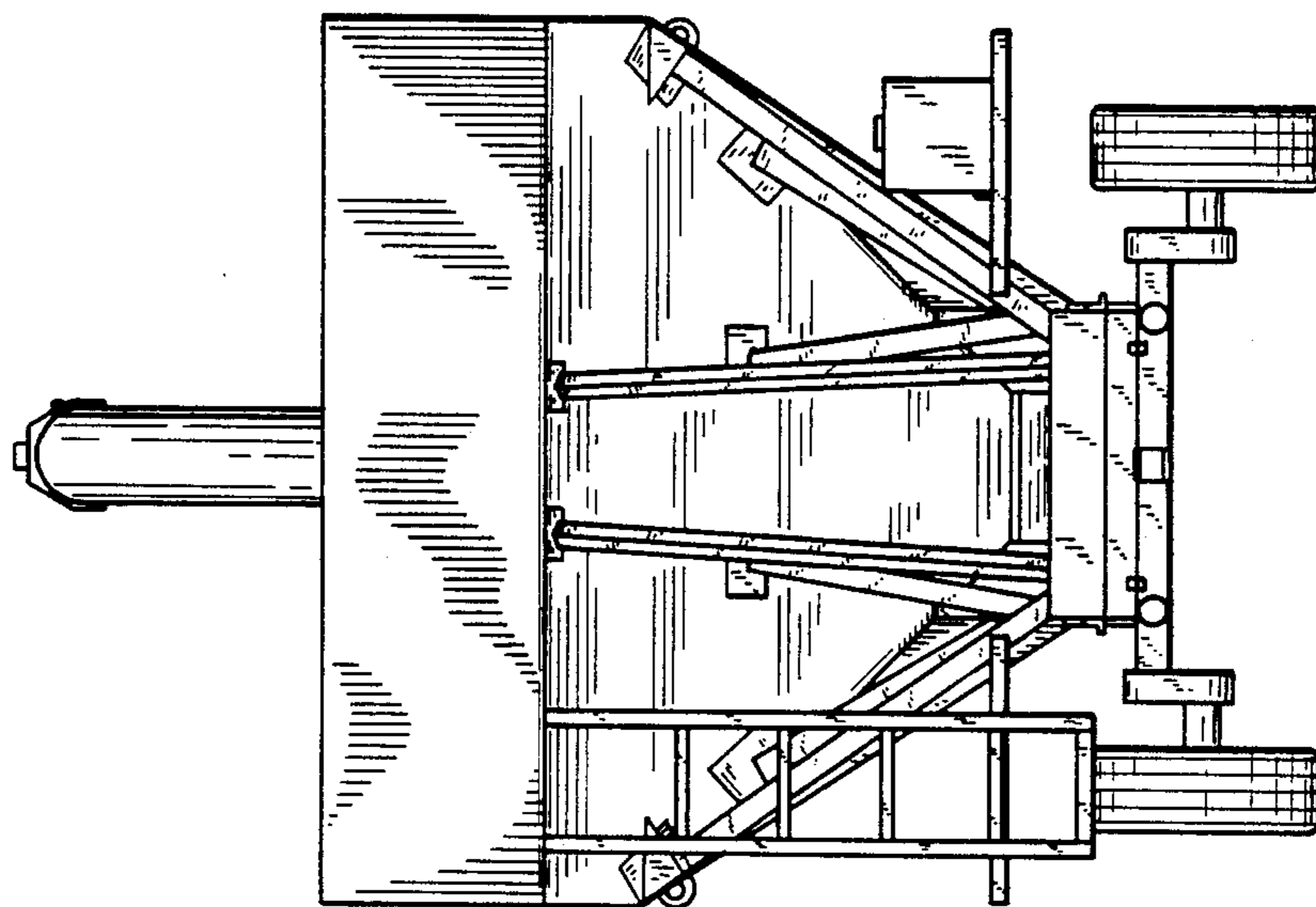


FIG. 4

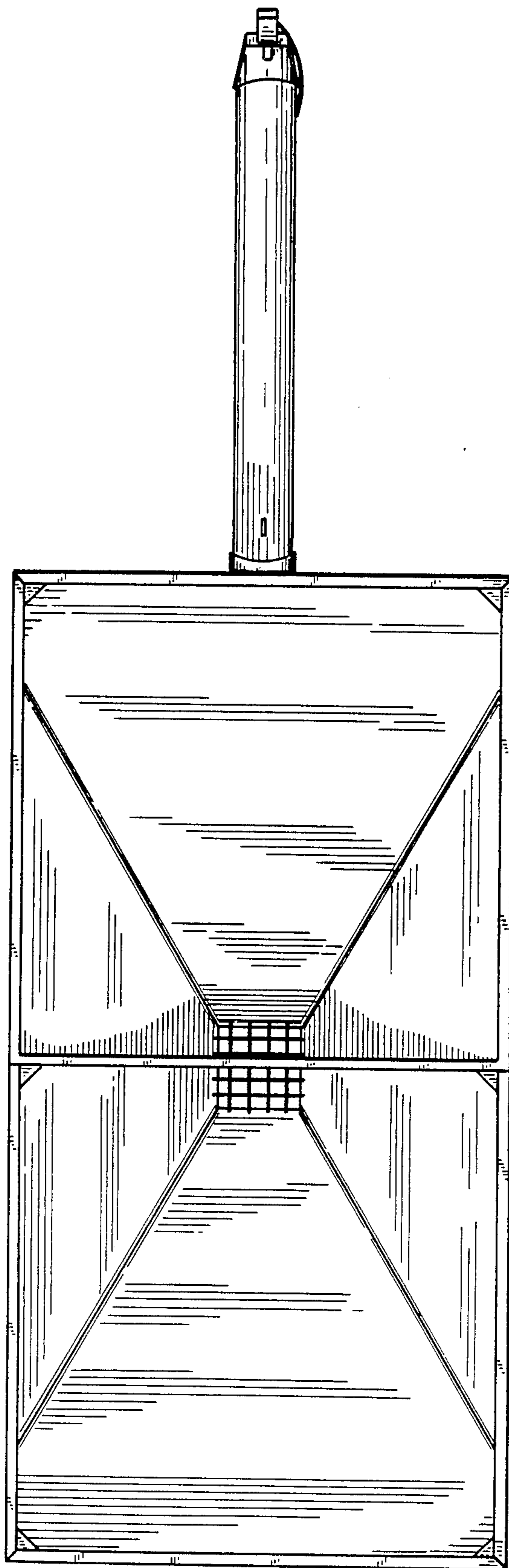


FIG. 5

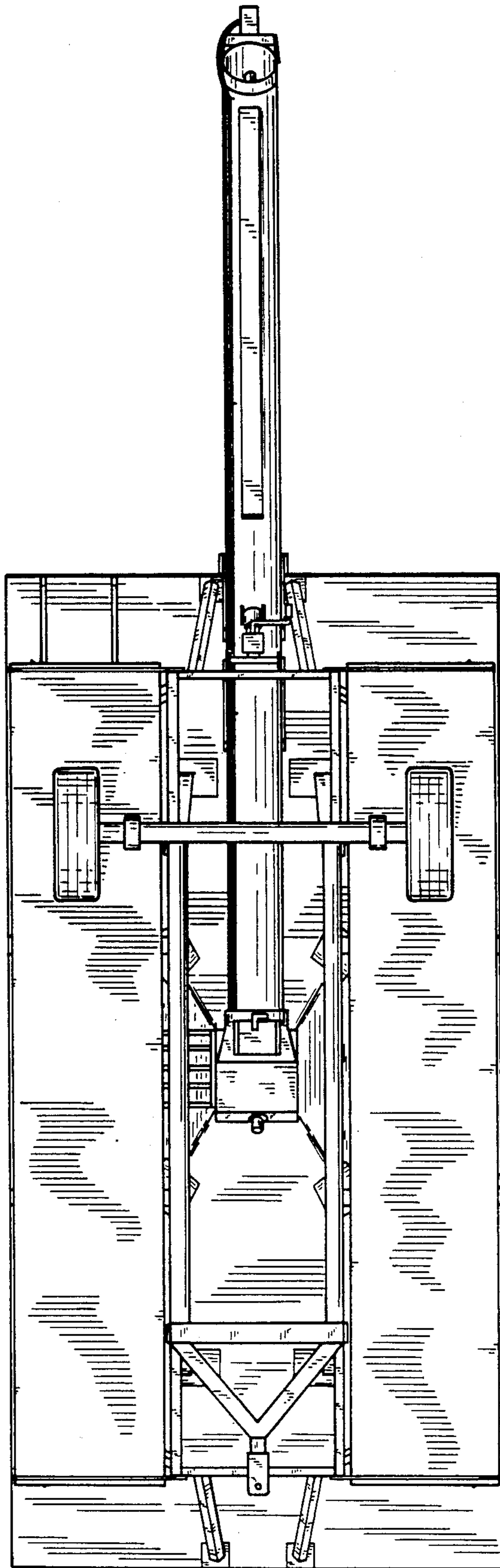


FIG. 6

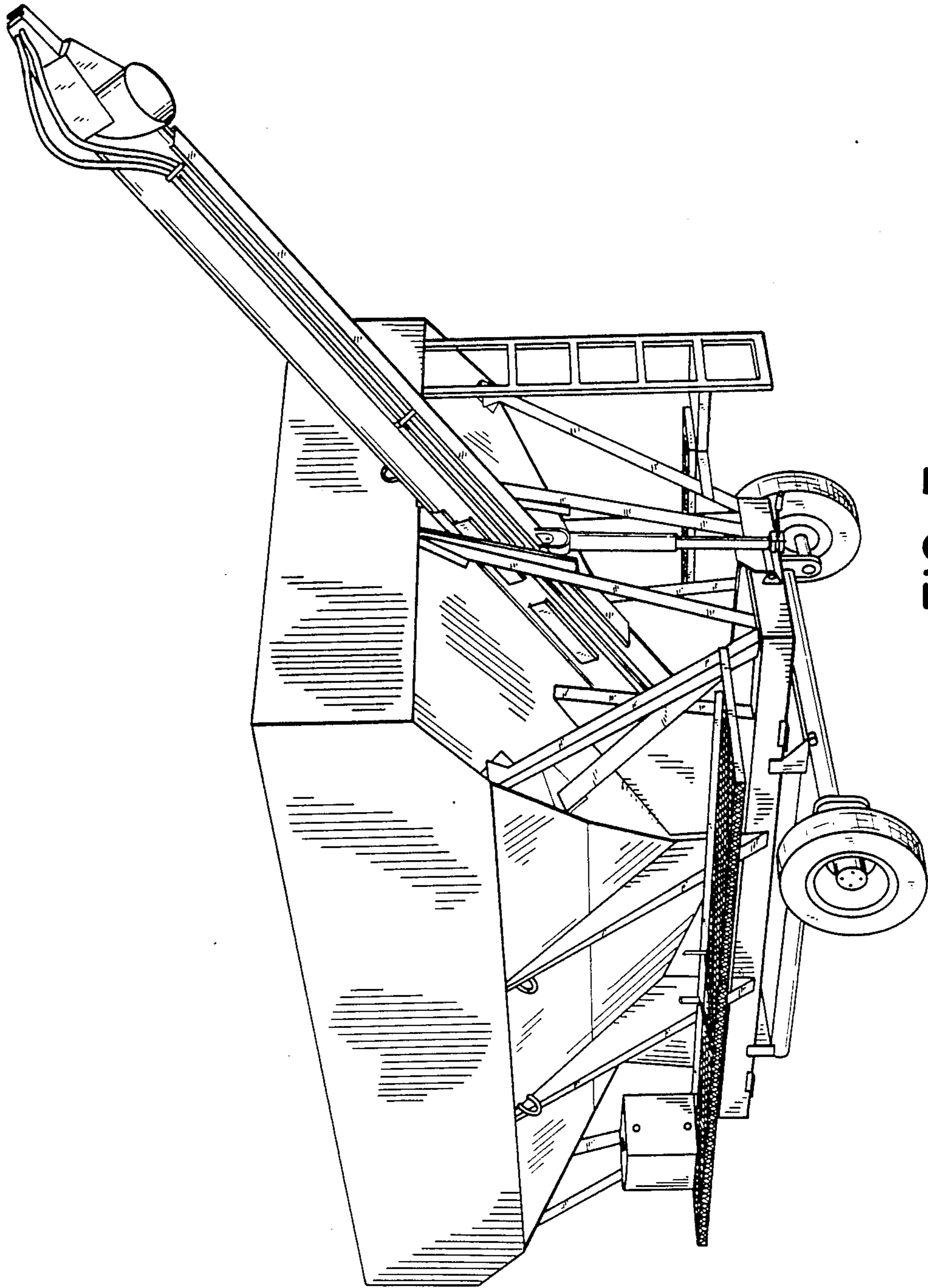


FIG. 7