

[54] **FLUID PUMP ASSEMBLY**

[76] **Inventor: Gerald Showman, 440 E. Georgia Ave., Connellsville, Pa. 15245**

[**] **Term: 14 Years**

[21] **Appl. No.: 762,498**

[22] **Filed: Aug. 5, 1985**

[52] **U.S. Cl. D15/7**

[58] **Field of Search D15/7, 9; 123/196 S; 415/5, 219 R; 417/65, 237, 321, 349, 405, 572**

[56] **References Cited**

U.S. PATENT DOCUMENTS

D. 115,780	7/1939	Carnes	23/21
D. 140,523	3/1945	Svenson et al.	D15/7
D. 173,856	1/1955	Renzo	D15/7
D. 235,924	7/1975	Bright	D15/8
D. 237,835	11/1975	Bevan	D15/7

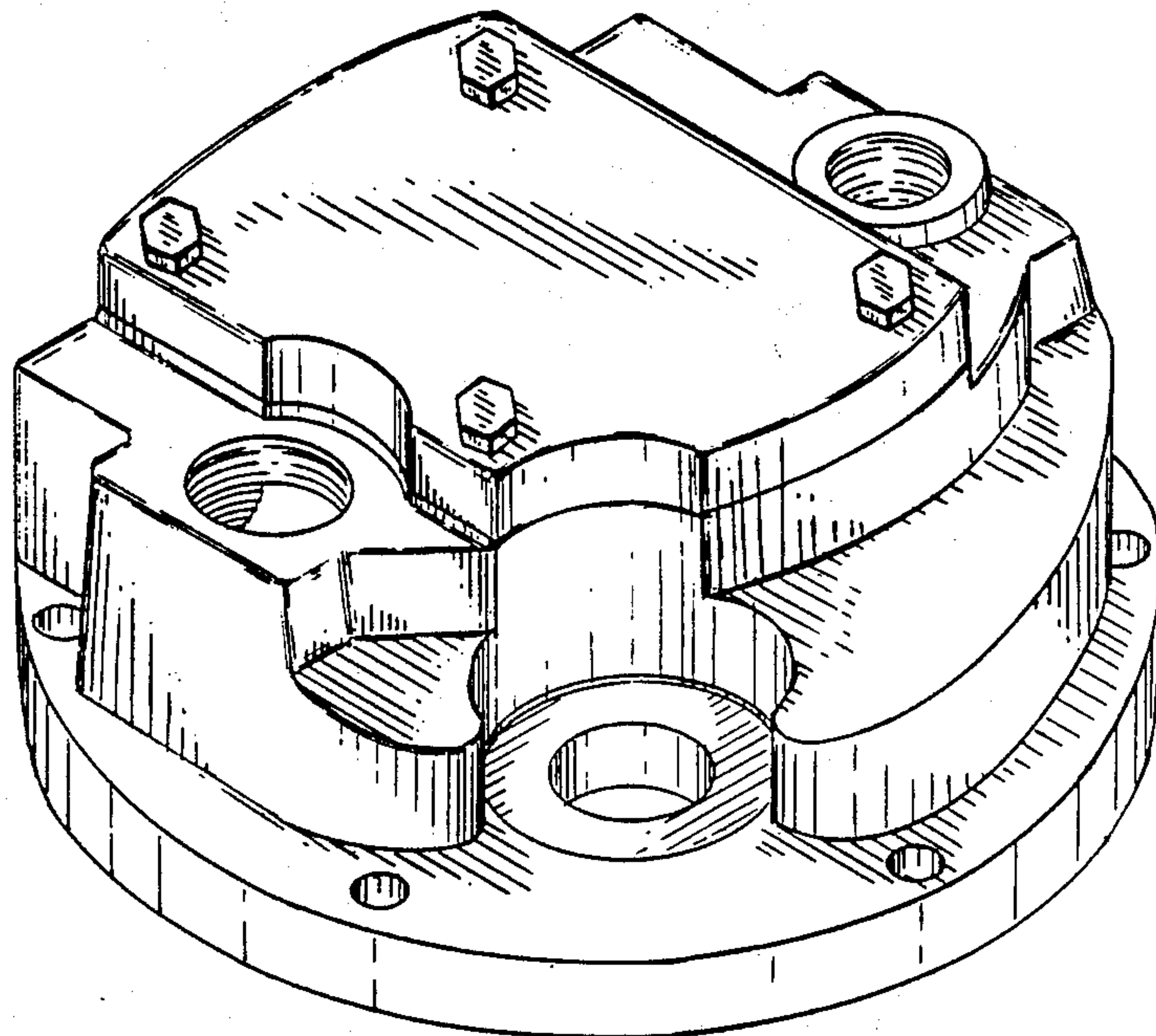
Primary Examiner—Wallace R. Burke
Assistant Examiner—Brian N. Vinson
Attorney, Agent, or Firm—Arnold B. Silverman;
Richard V. Westerhoff

[57] **CLAIM**

The ornamental design for a fluid pump assembly, substantially as shown and described.

DESCRIPTION

FIG. 1 is a front elevational view of a fluid pump assembly, showing my new design;
FIG. 2 is a rear elevational view thereof;
FIG. 3 is a left side elevational view thereof;
FIG. 4 is a right side elevational view thereof;
FIG. 5 is a top plan view thereof;
FIG. 6 is a bottom plan view thereof; and,
FIG. 7 is a top, rear and right side perspective view thereof.



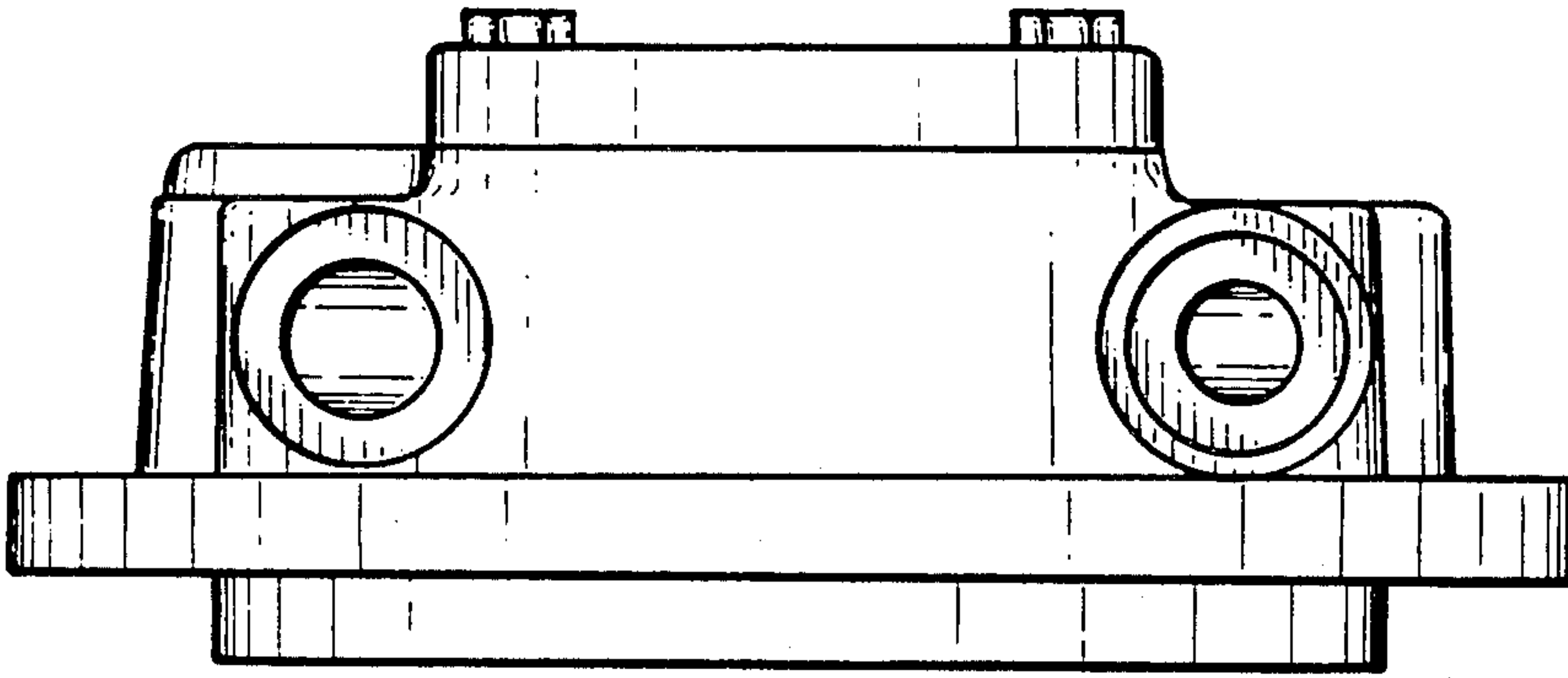


FIG. 1

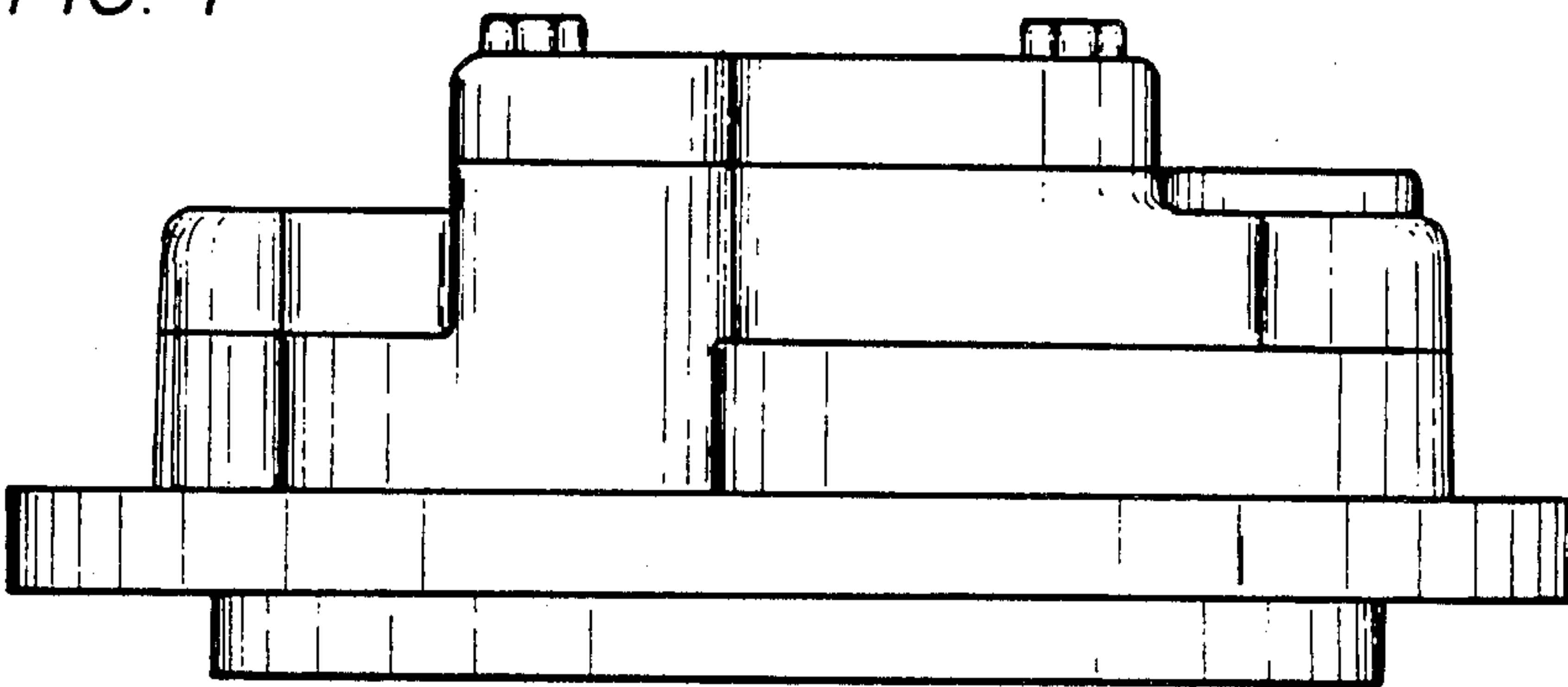


FIG. 2

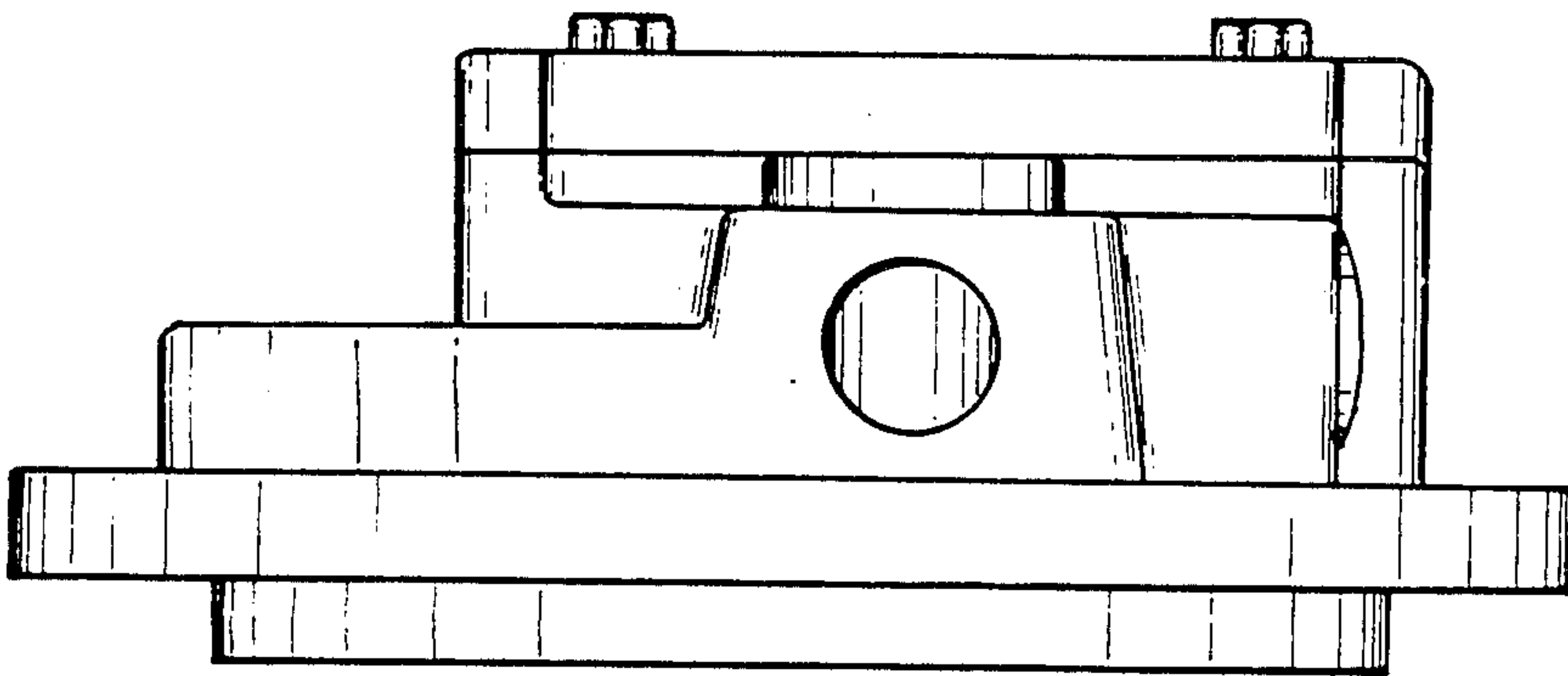


FIG. 3

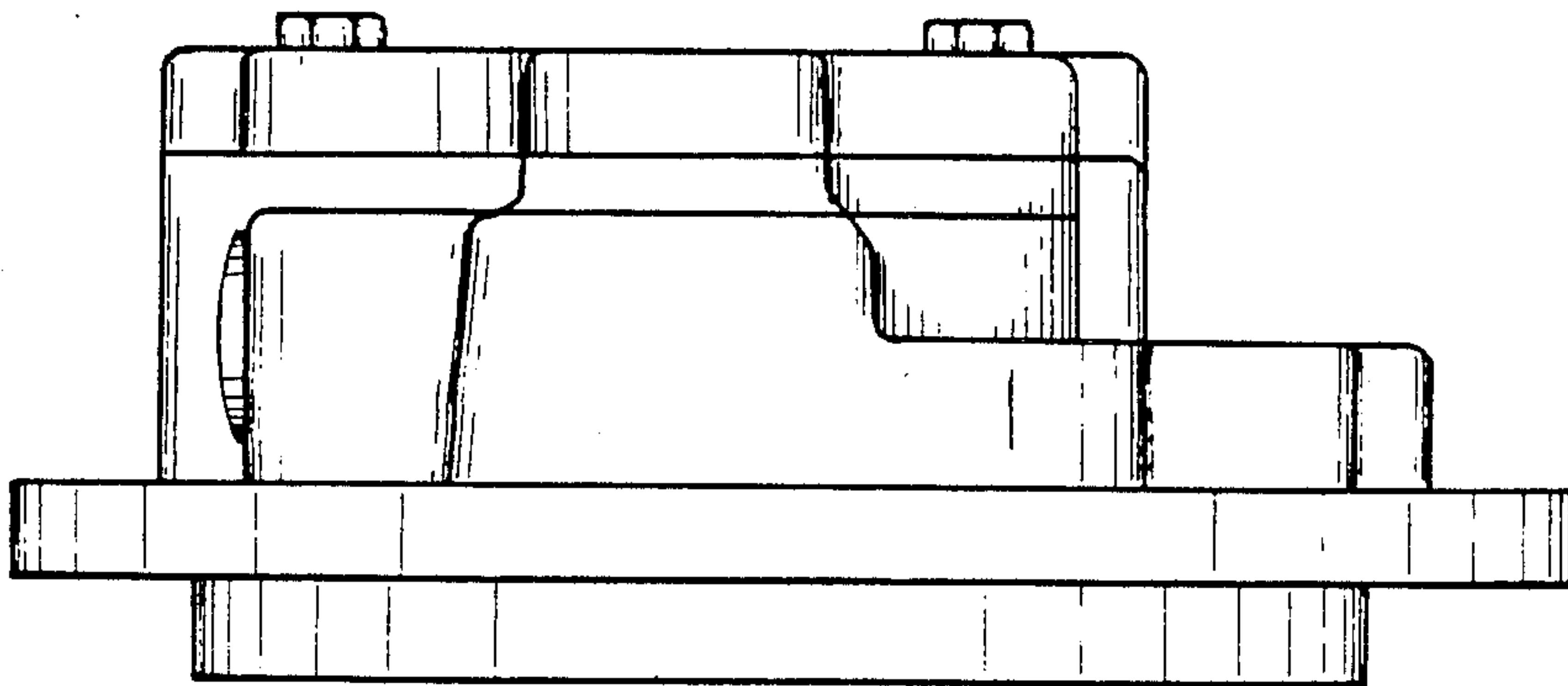


FIG. 4

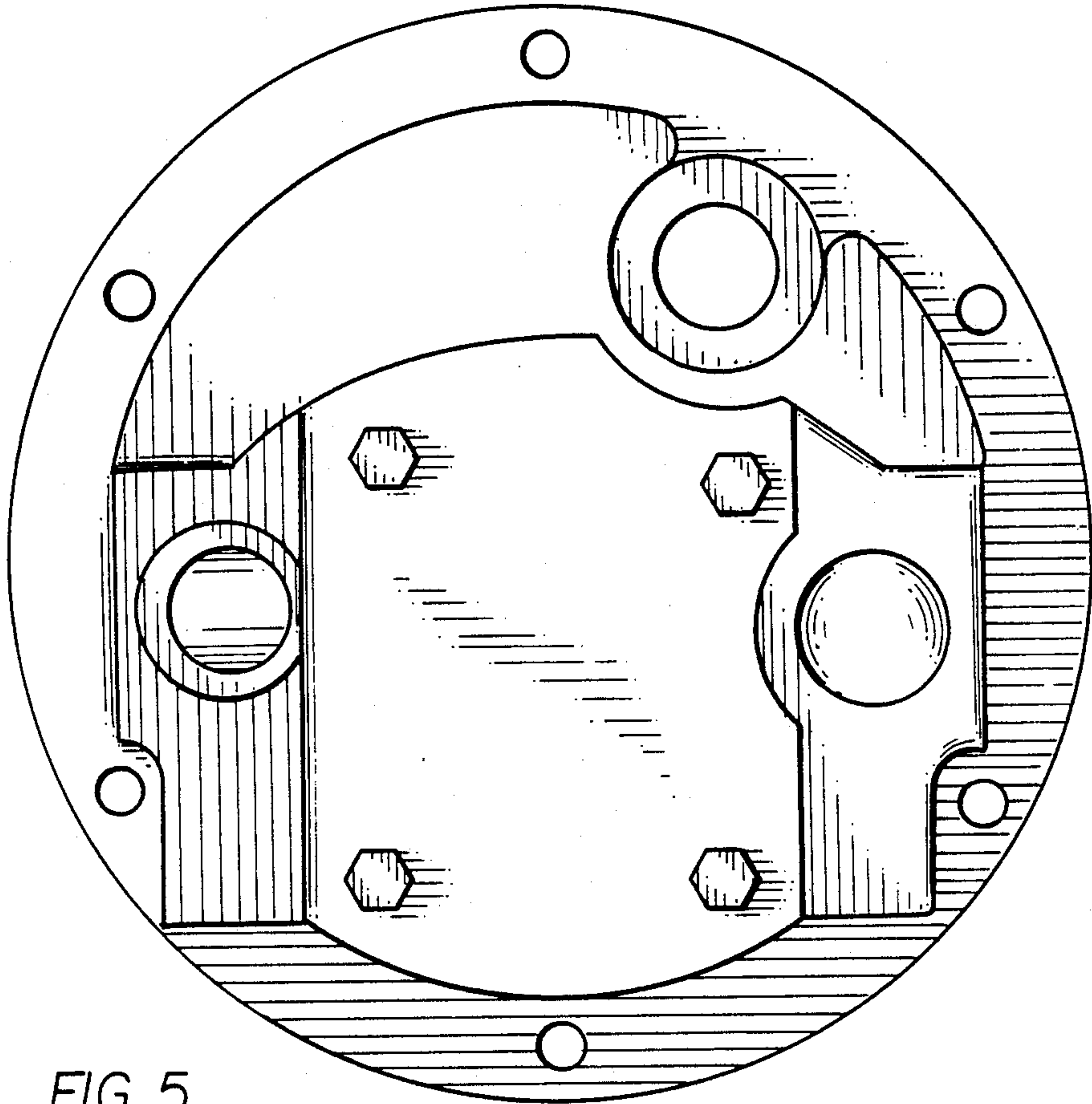


FIG. 5

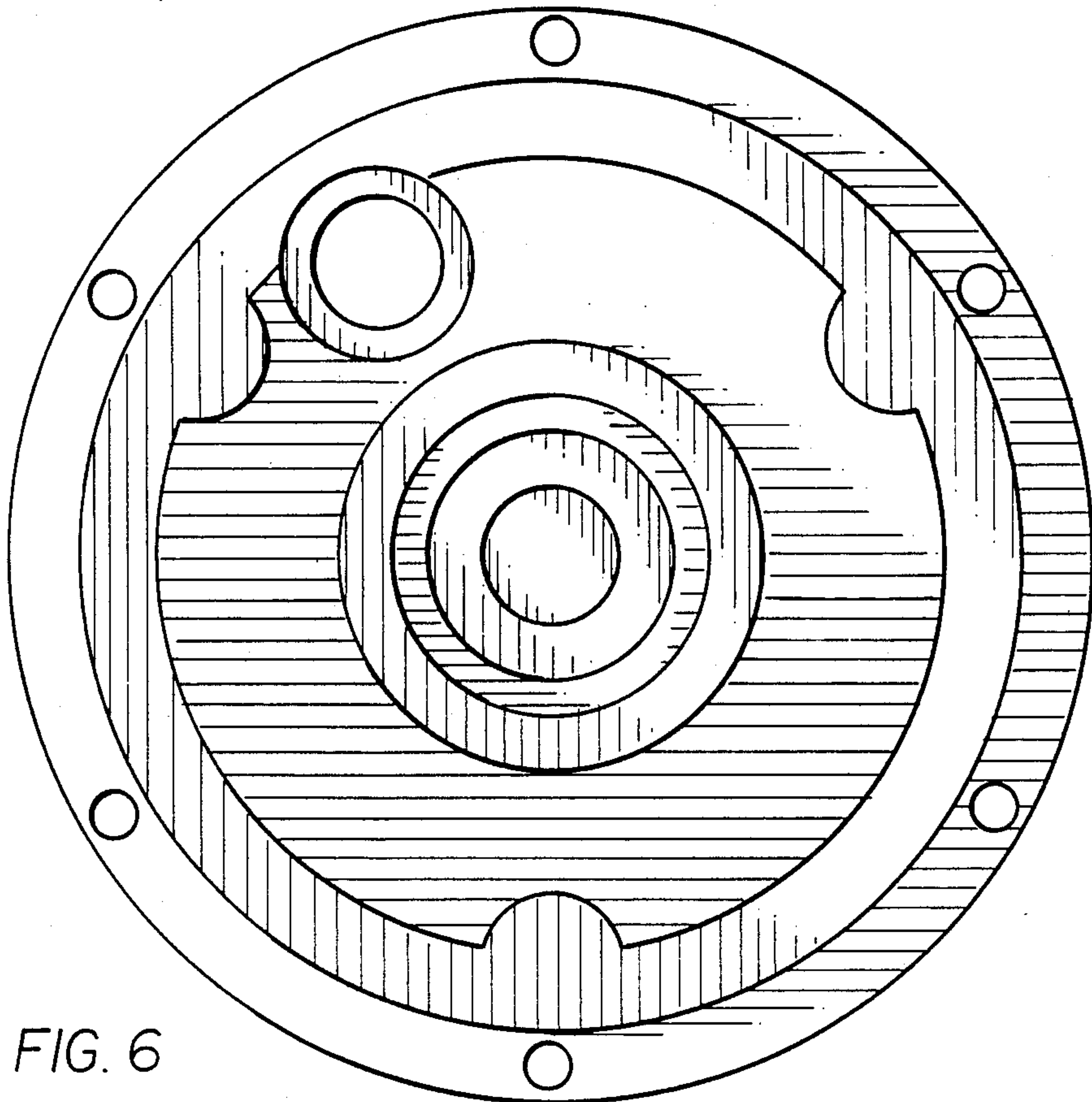


FIG. 6

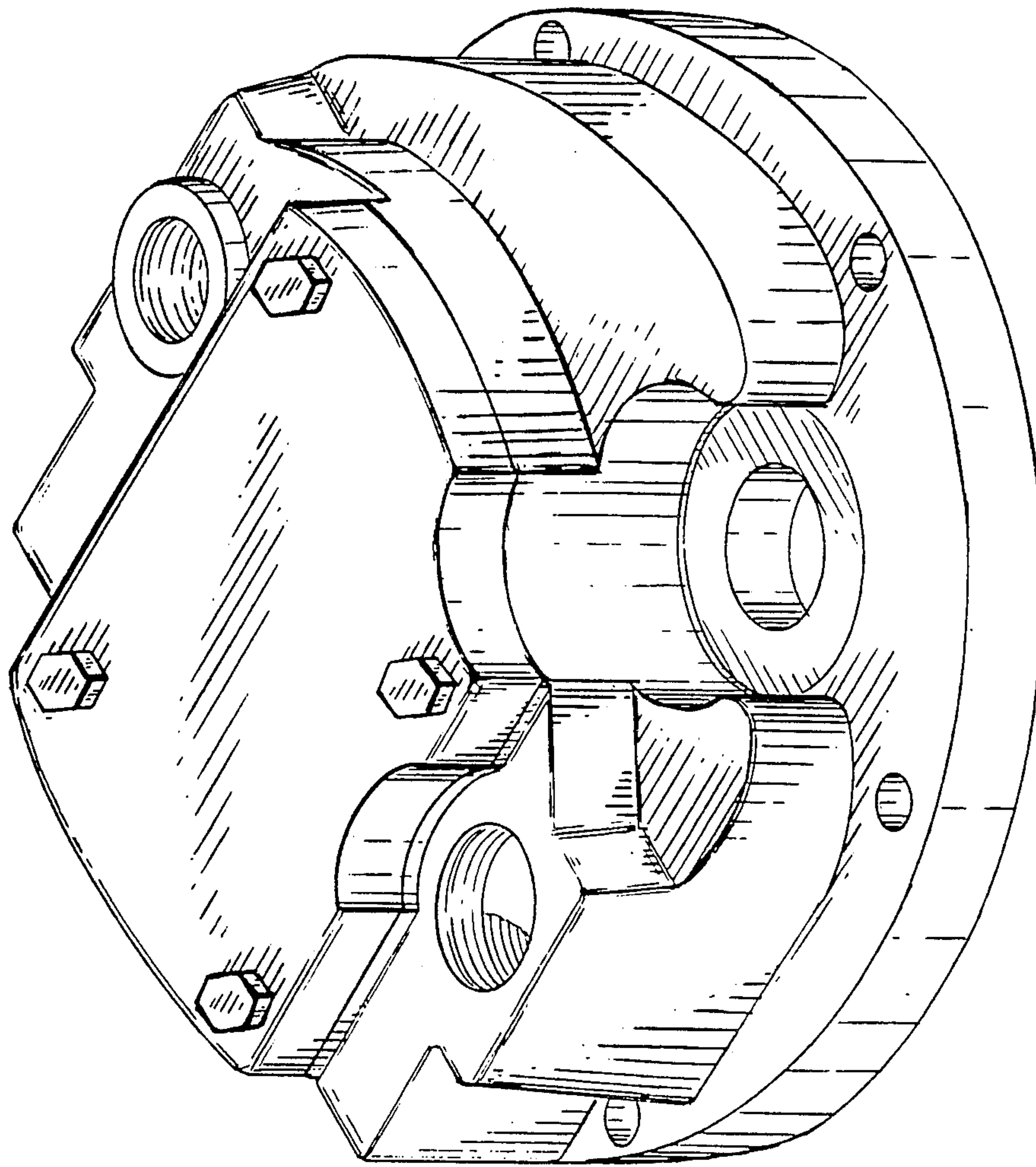


FIG. 7