

[54] HOUSING FOR A PRINTED CIRCUIT BOARD

[75] Inventors: Kenneth R. Kirpluk, Elmwood Park; Joseph G. Murglin, Norridge; John W. Petras, Mt. Prospect, all of Ill.

[73] Assignee: AT&T Teletype Corporation, Skokie, Ill.

[**] Term: 14 Years

[21] Appl. No.: 811,980

[22] Filed: Dec. 23, 1985

[52] U.S. Cl. D14/114; D13/41

[58] Field of Search D13/12, 40-41, D13/99; 361/380, 397, 399, 401; 269/903; D14/114; 174/52

[56] References Cited

U.S. PATENT DOCUMENTS

D. 272,340	1/1984	Korzik	D14/107
D. 277,189	1/1985	Shibata	D14/114
4,386,388	5/1983	Beun	361/399

Primary Examiner—Susan J. Lucas
Assistant Examiner—Ruth Takemoto
Attorney, Agent, or Firm—A. A. Tirva

[57] CLAIM

The ornamental design for a housing for a printed circuit board, substantially as shown and described.

DESCRIPTION

FIG. 1 is a front, top and left side perspective view of a housing for a printed circuit board showing our new design;

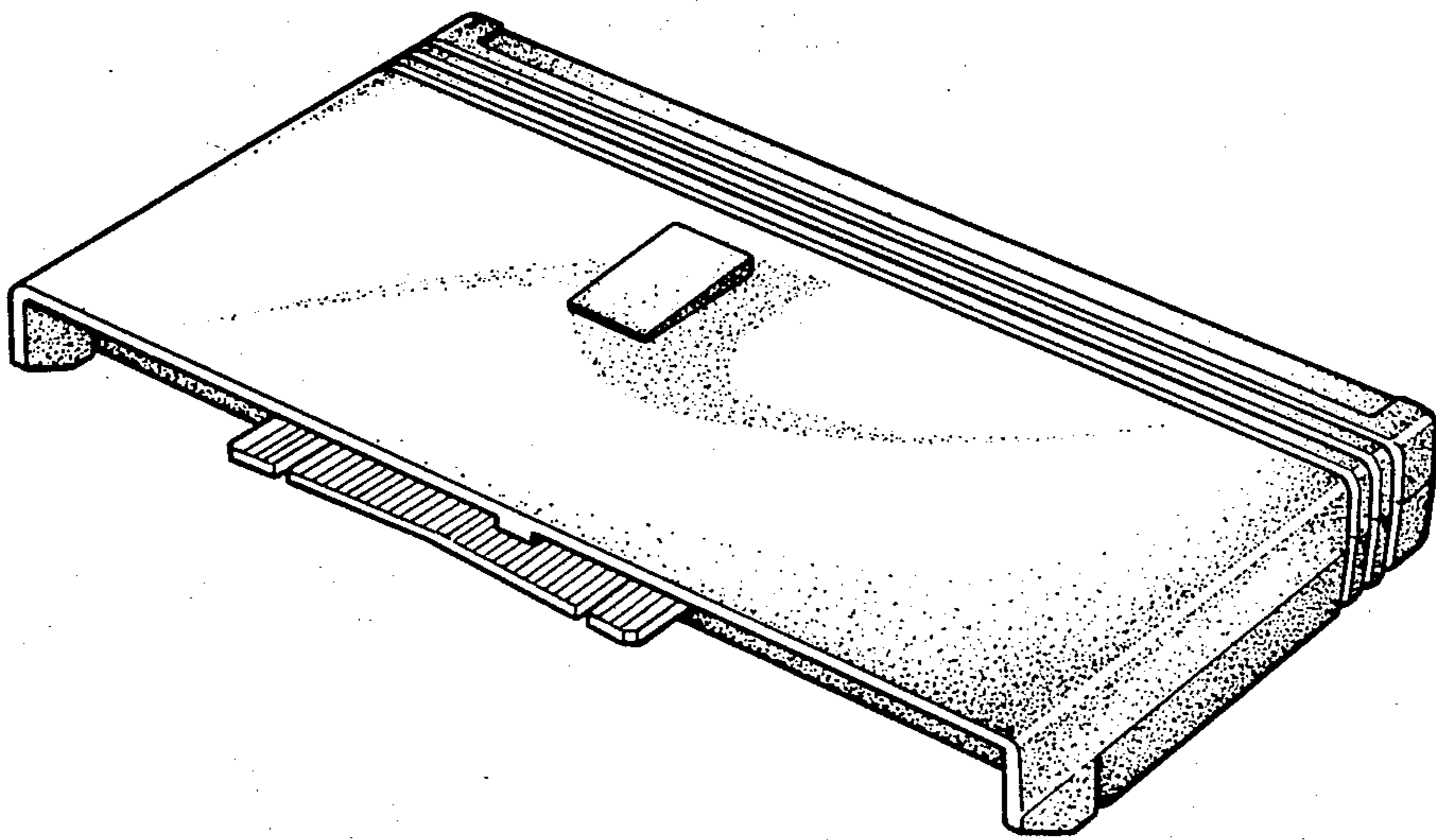
FIG. 2 is a front elevational view thereof;

FIG. 3 is a rear elevational view thereof;

FIG. 4 is a bottom plan view thereof;

FIG. 5 is a left side elevational view thereof; and

FIG. 6 is a right side elevational view thereof.



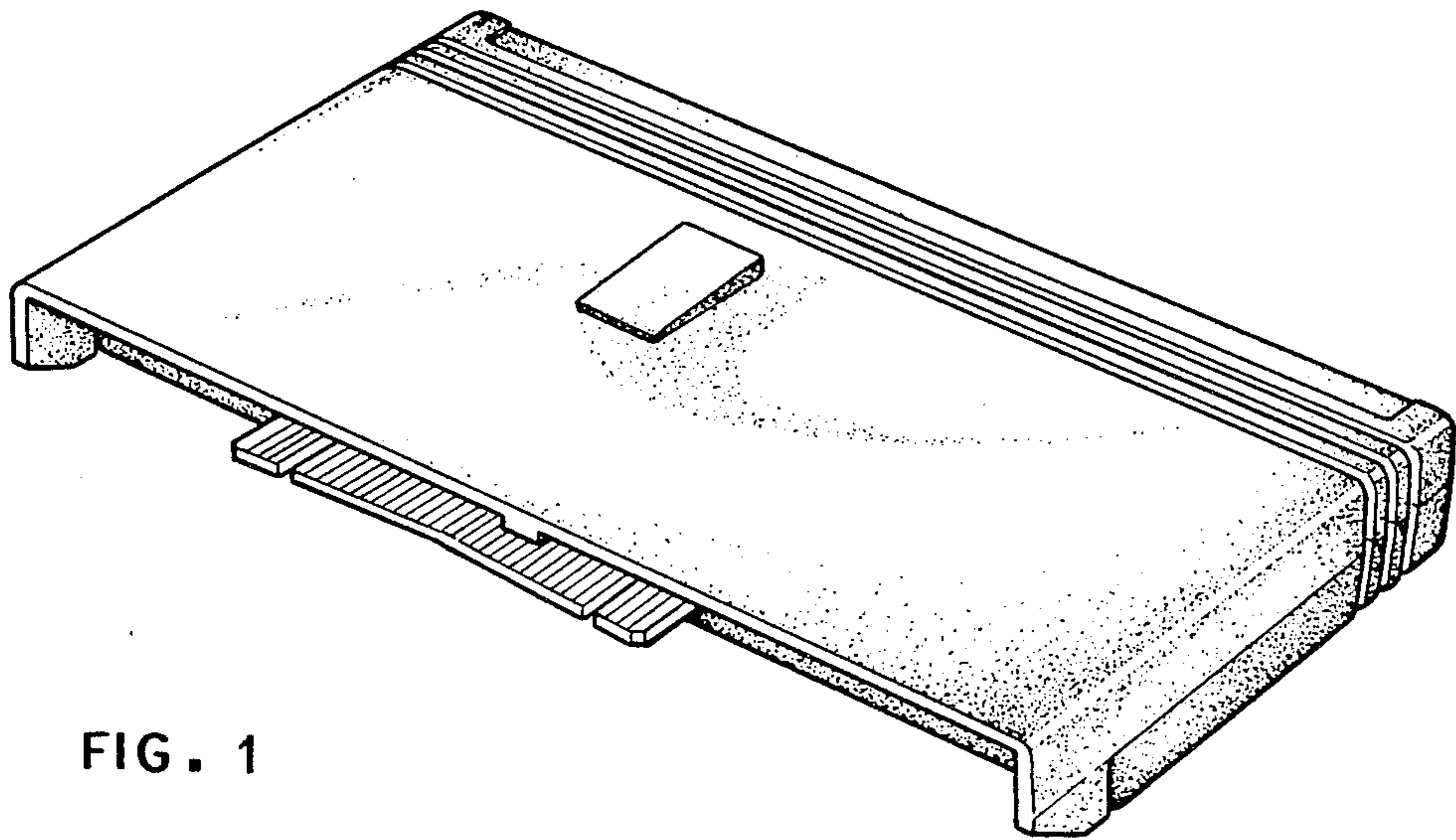


FIG. 1

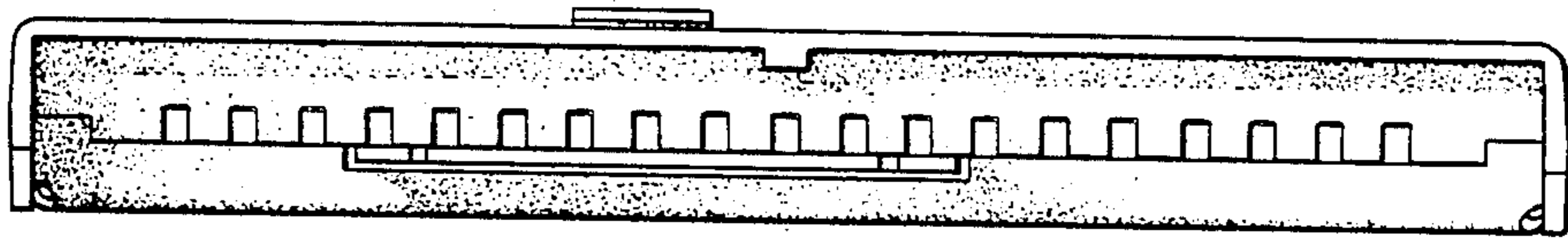


FIG. 2

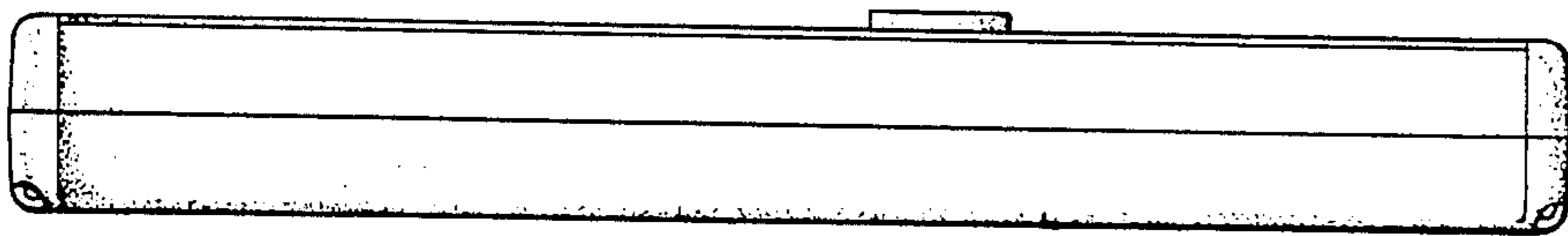


FIG. 3

FIG. 4

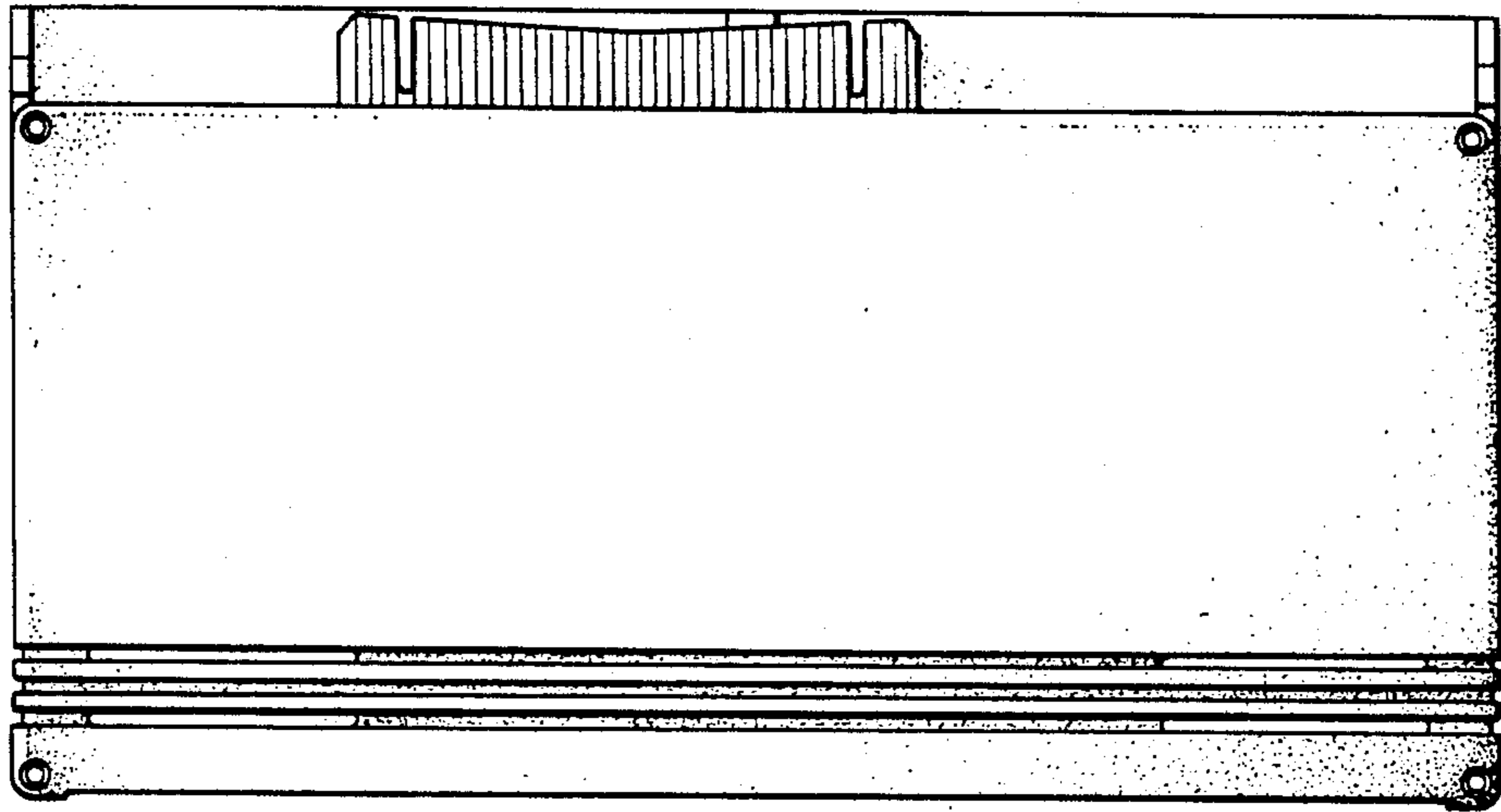


FIG. 5

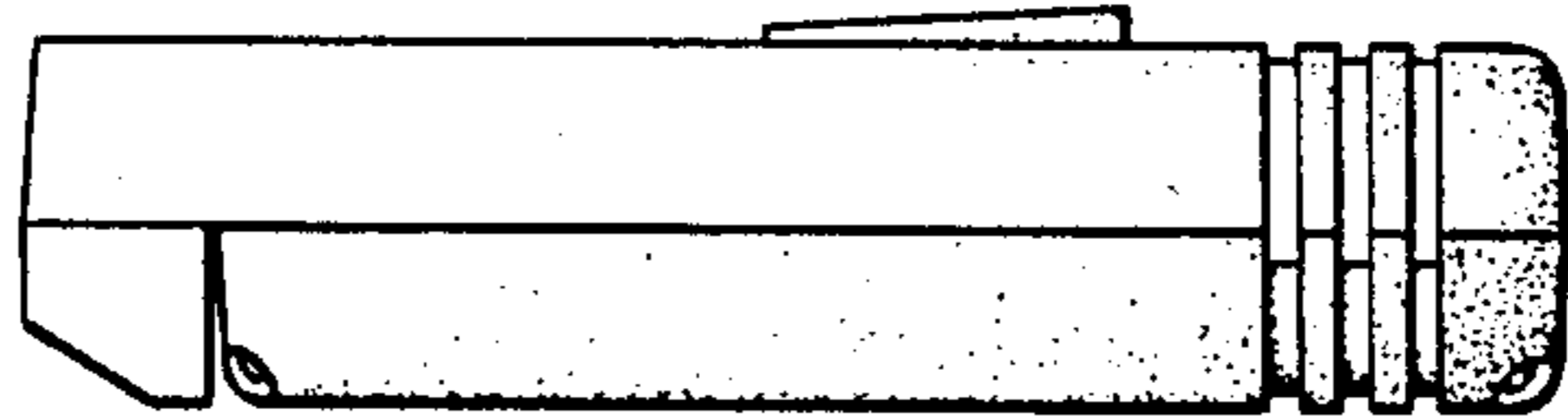


FIG. 6

