

[54] COMBINED VIDEO CAMERA AND VIDEO TAPE RECORDER

[75] Inventors: Mitsuo Takanaga; Kazuhiko Nagata, both of Nara, Japan

[73] Assignee: Matsushita Electric Industrial Co., Ltd., Osaka, Japan

[**] Term: 14 Years

[21] Appl. No.: 742,320

[22] Filed: Jun. 7, 1985

[30] Foreign Application Priority Data

Dec. 21, 1984 [JP] Japan 59-52591

[52] U.S. Cl. D14/78; D14/5; D16/4

[58] Field of Search D14/1, 2, 5, 6, 78, D14/99; D16/4; 352/72, 242; 358/229, 906

[56] References Cited

U.S. PATENT DOCUMENTS

- D. 278,238 4/1985 Kurokawa et al. D14/78
- D. 288,812 3/1987 Miyashita D14/78

- D. 289,645 5/1987 Kondo D14/78
- D. 290,120 6/1987 Mohri D16/4 X

OTHER PUBLICATIONS

Canon Video brochure, ©1984, p. 7—Model VC-20A. Catalogue of Betamovie issued by Sony Corp. since Jul. 1983.

Primary Examiner—Bernard Ansher
Assistant Examiner—Theodore M. Shooman
Attorney, Agent, or Firm—Stevens, Davis, Miller & Mosher

[57] CLAIM

The ornamental design for a combined video camera and video tape recorder, as shown and described.

DESCRIPTION

FIG. 1 is a front, top and right side perspective view of a combined video camera and video tape recorder showing our new design;
FIG. 2 is a left side elevational view thereof;
FIG. 3 is a rear elevational view thereof;
FIG. 4 is a bottom plan view thereof; and
FIG. 5 is a top plan view thereof, shown with the lid of the operating panel in an open position.

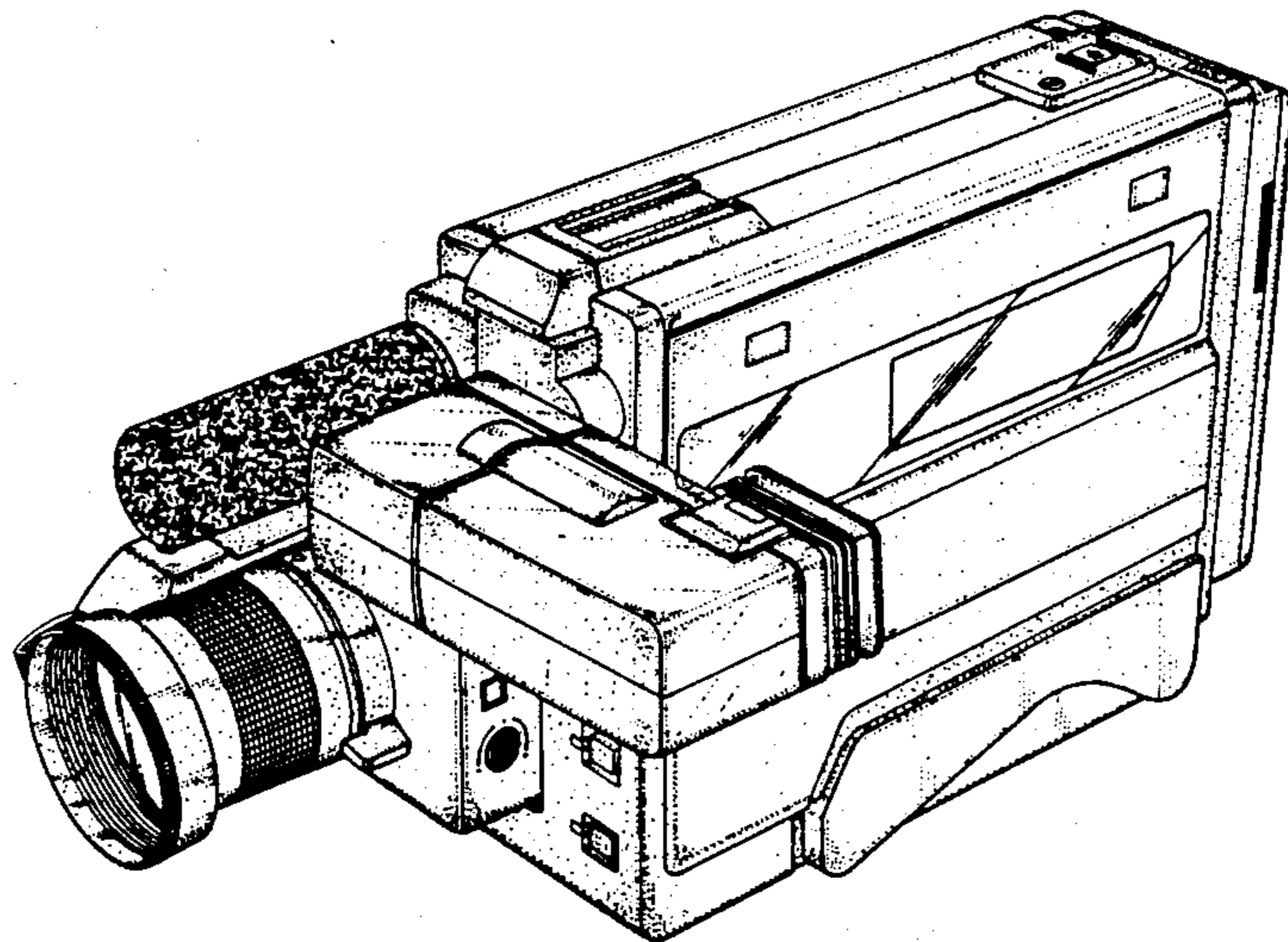


FIG. 1

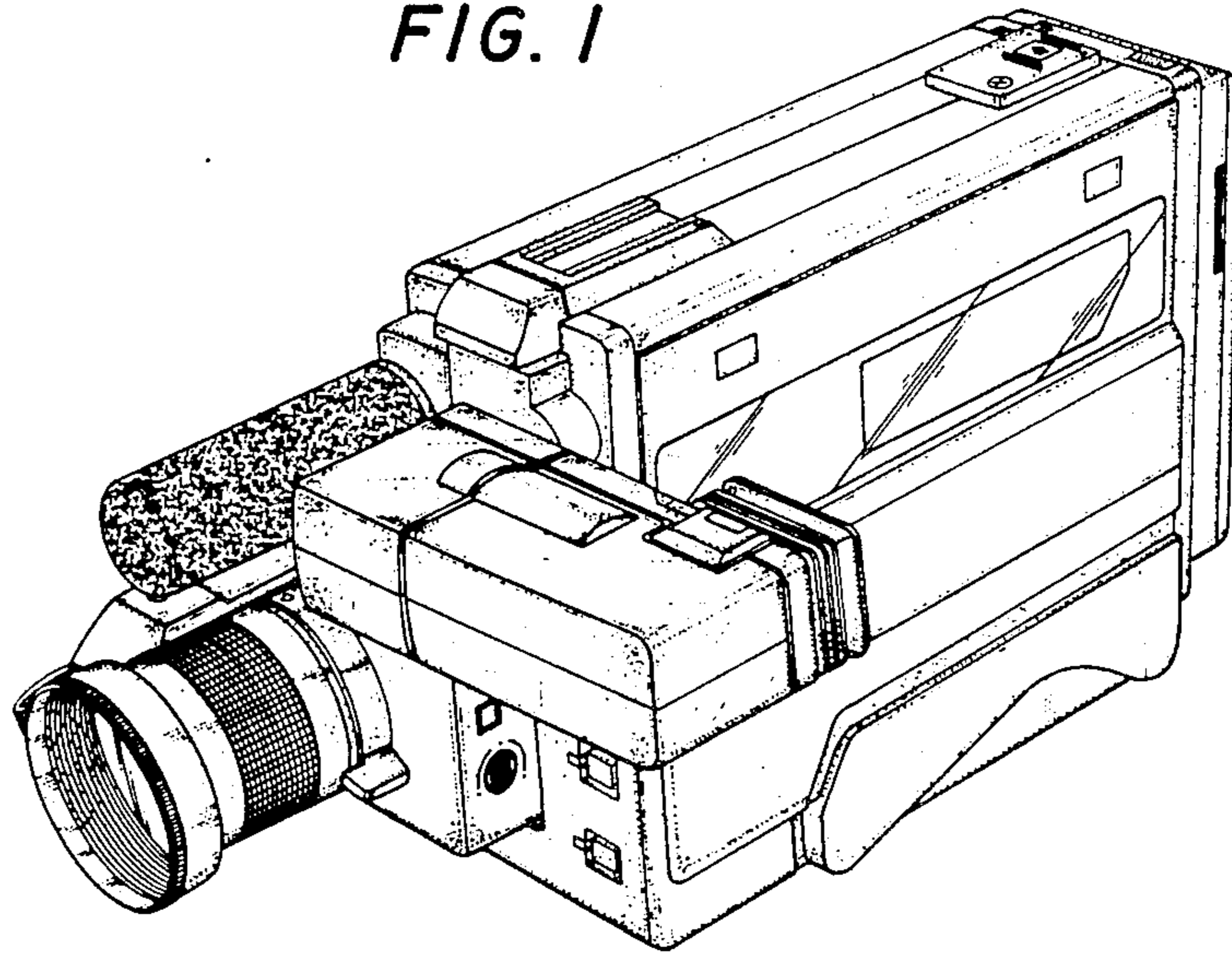


FIG. 2

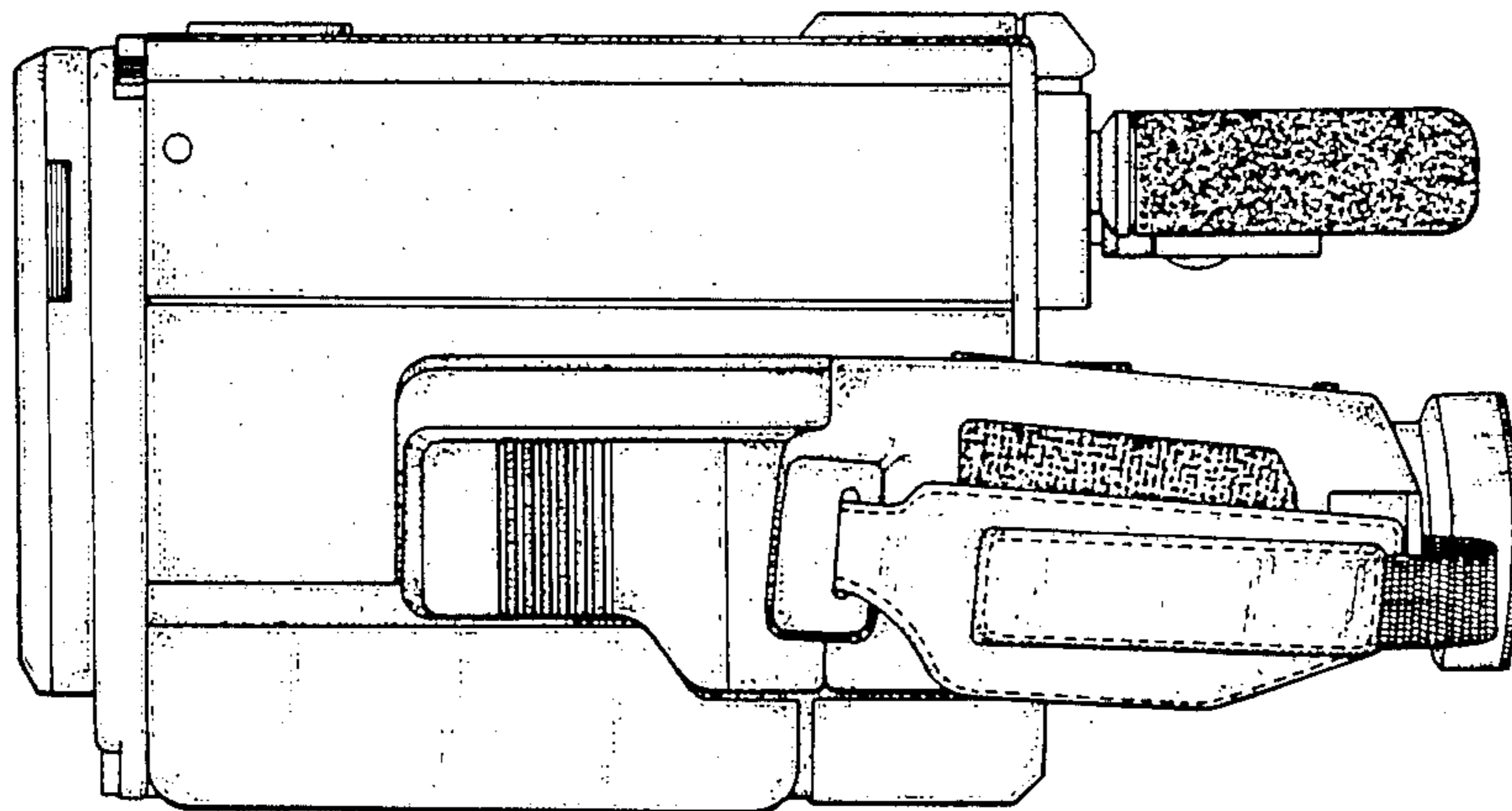


FIG. 3

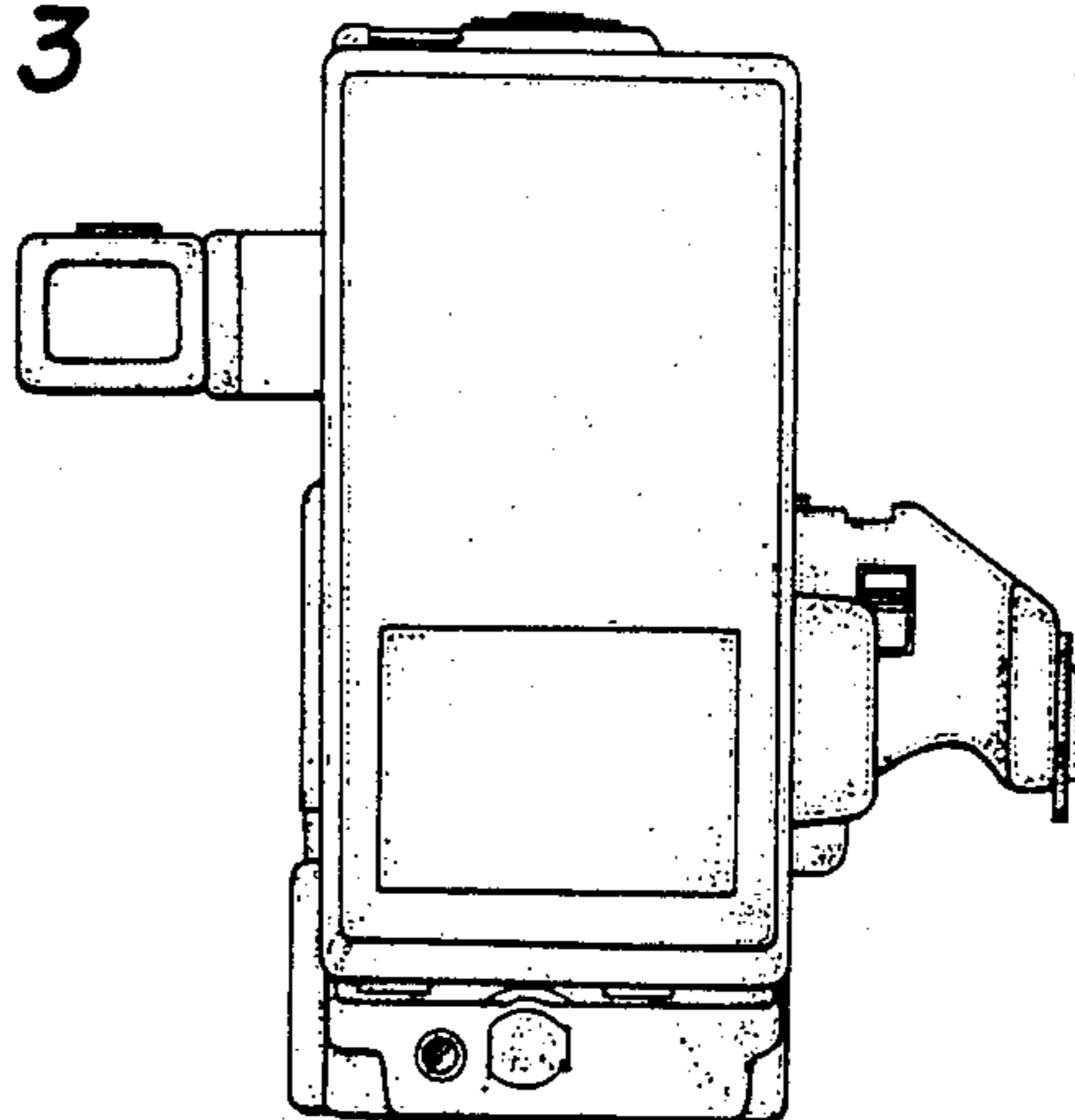


FIG. 4

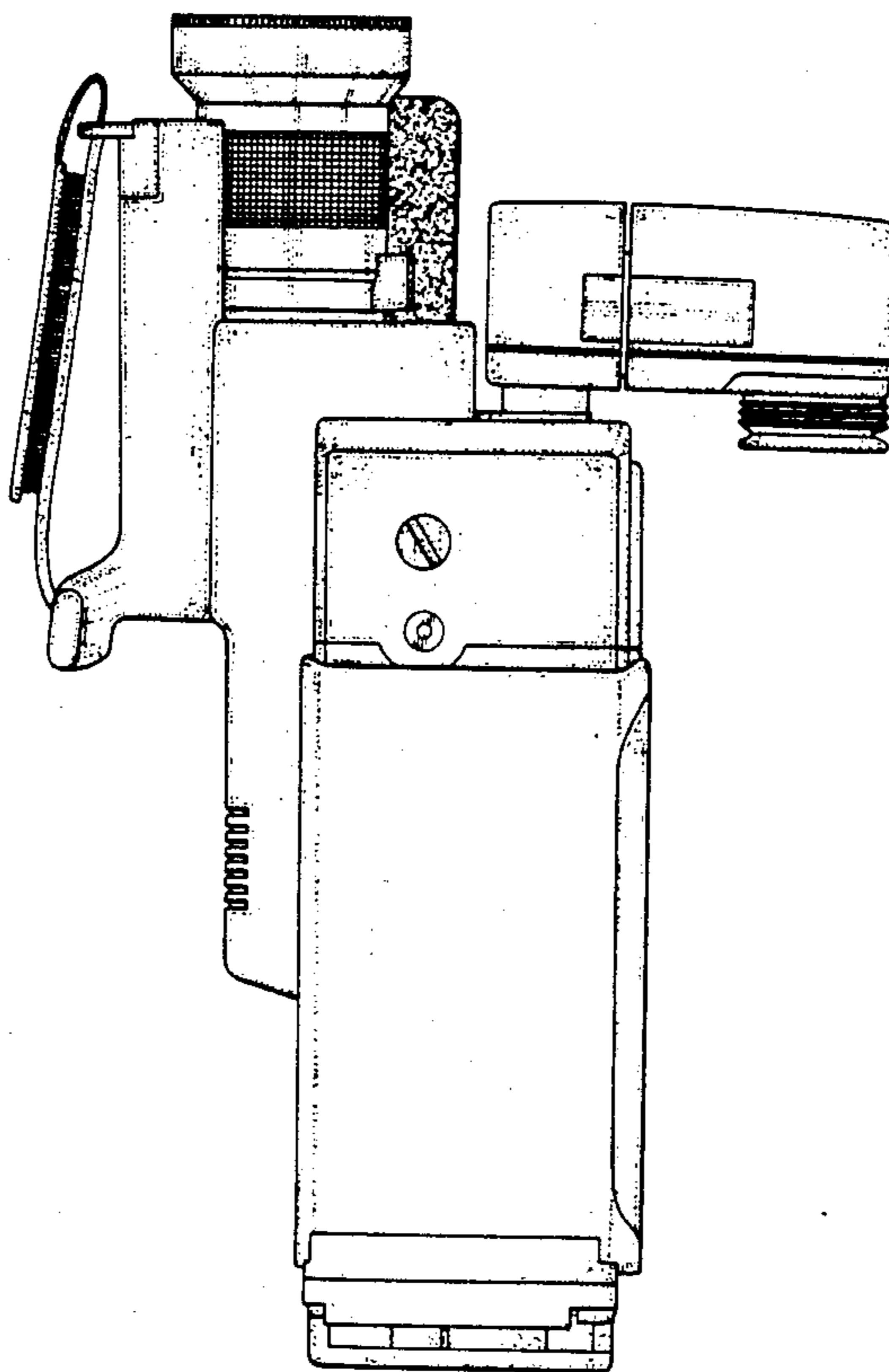


FIG. 5

