

[54] FLOATING RADIO

[75] Inventors: David C. Sabin, Rochester Hills, Mich.; Pamela A. Brenner, Chicago, Ill.

[73] Assignee: CESV, Inc., Bloomfield Hills, Mich.

[**] Term: 14 Years

[21] Appl. No.: 794,168

[22] Filed: Nov. 1, 1985

[52] U.S. Cl. D14/68; D10/106; D21/236

[58] Field of Search D14/1, 5, 7, 36, 68-76, D14/95, 99; 455/73, 89, 90, 344, 347, 350, 351; D10/106, 107; D21/236, 237

[56] References Cited

U.S. PATENT DOCUMENTS

- D. 101,665 10/1936 Beaumon D14/75
- D. 208,041 7/1967 Kay D21/236
- D. 248,840 8/1978 Aesch, Sr. et al. D10/107
- D. 273,952 5/1984 Stansbury, Jr. et al. D10/106 X
- D. 283,419 4/1986 Johnson D14/5

Primary Examiner—Bernard Ansher
Assistant Examiner—Theodore M. Shooman

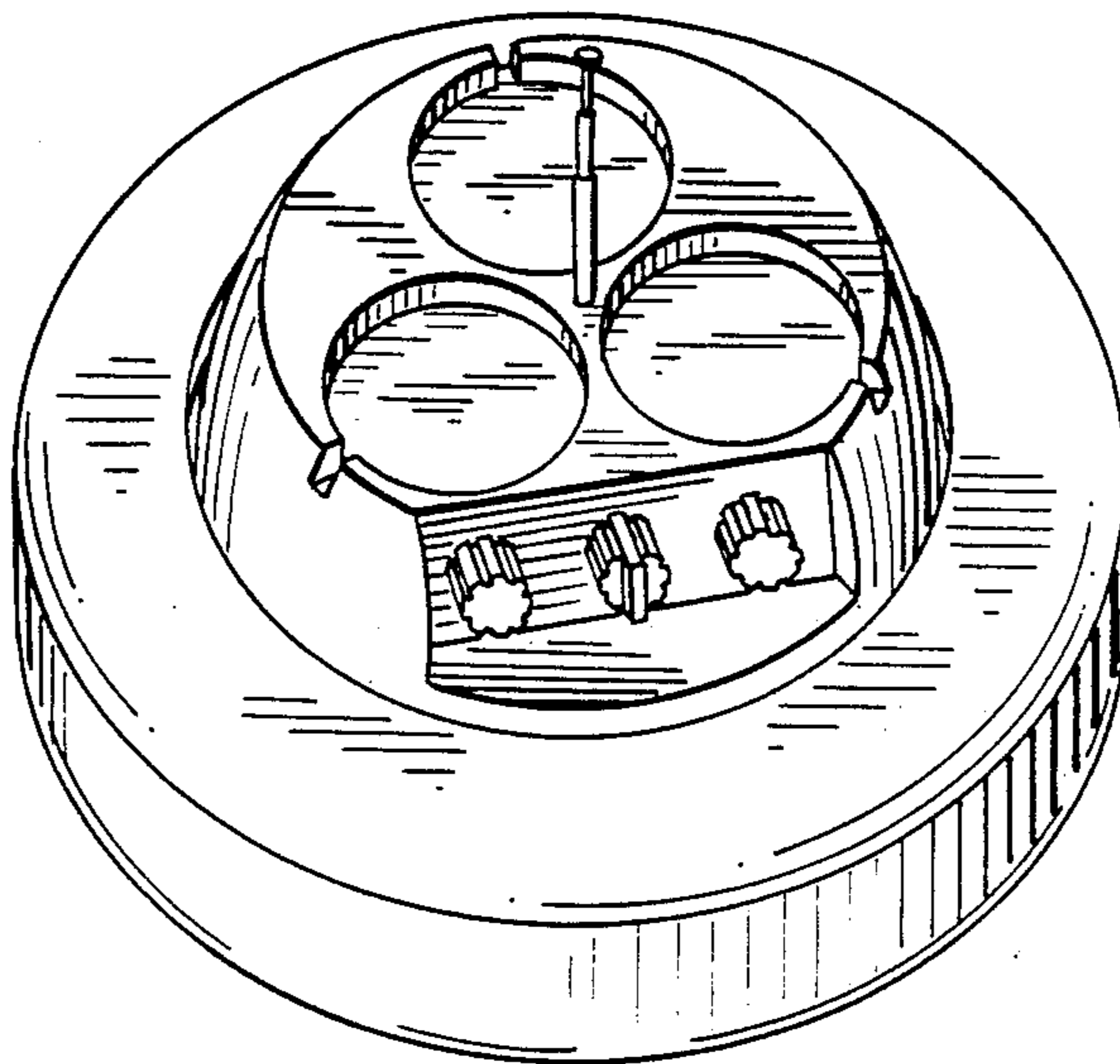
Attorney, Agent, or Firm—Ronald A. Sandler; Timothy T. Patula

[57] CLAIM

The ornamental design for a floating radio, as shown and described.

DESCRIPTION

FIG. 1 is a front and top perspective view of a floating radio showing our new design;
 FIG. 2 is a top plan view thereof;
 FIG. 3 is a front elevational view thereof;
 FIG. 4 is a rear elevational view thereof;
 FIG. 5 is a right side elevational view thereof, the left side being a mirror image;
 FIG. 6 is an exploded top and front perspective view thereof;
 FIG. 7 is a top plan view of a second embodiment of the floating radio illustrated in FIG. 1;
 FIG. 8 is a top and front perspective view of the embodiment disclosed in FIG. 7;
 FIG. 9 is an exploded top and front perspective view of the embodiment disclosed in FIG. 7;
 FIG. 10 is a front elevational view of the embodiment disclosed in FIG. 7;
 FIG. 11 is a rear elevational view of the embodiment disclosed in FIG. 7; and
 FIG. 12 is a right side elevational view of the embodiment disclosed in FIG. 7, the left side being a mirror image.



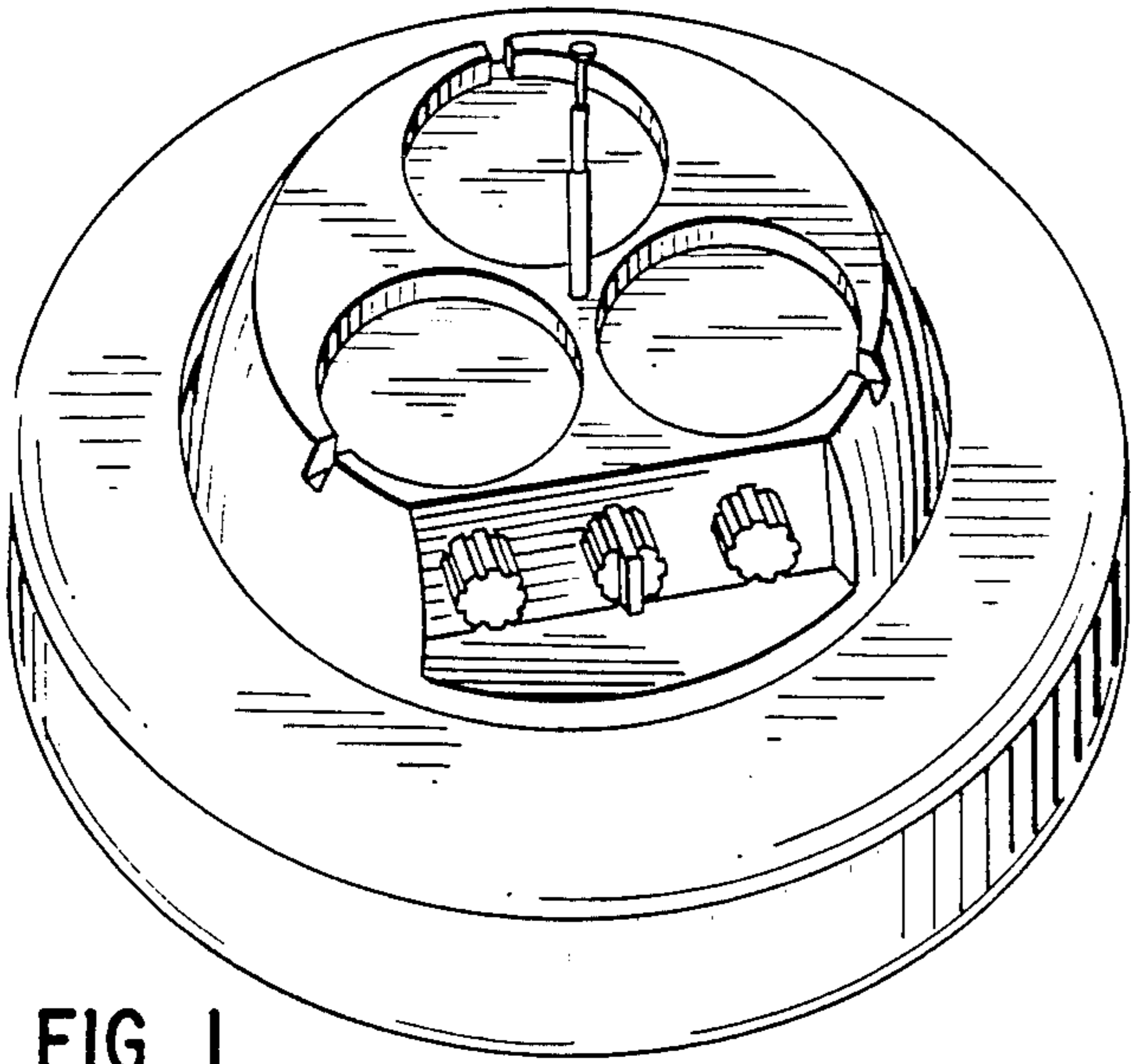


FIG. 1

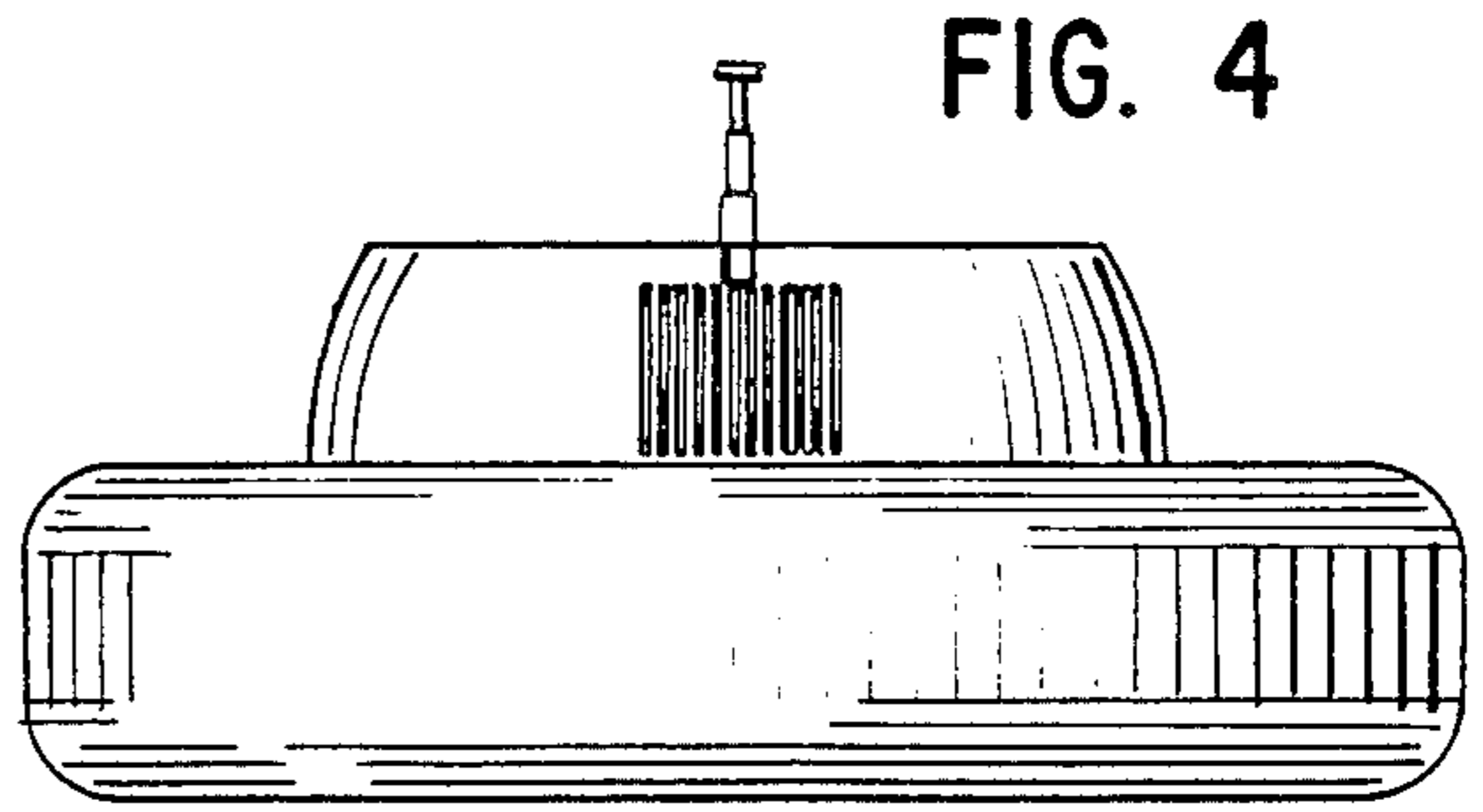


FIG. 4

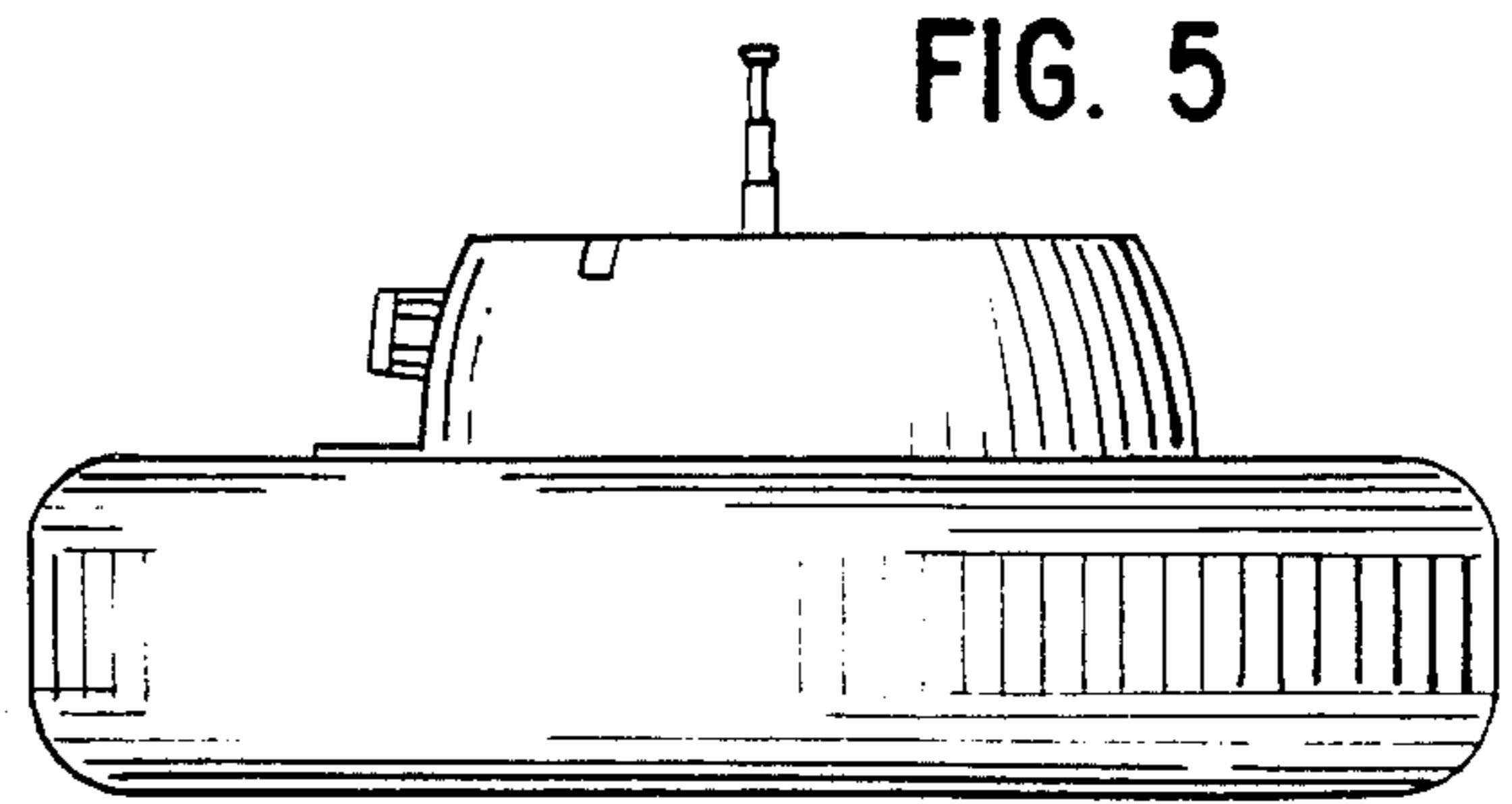


FIG. 5

FIG. 2

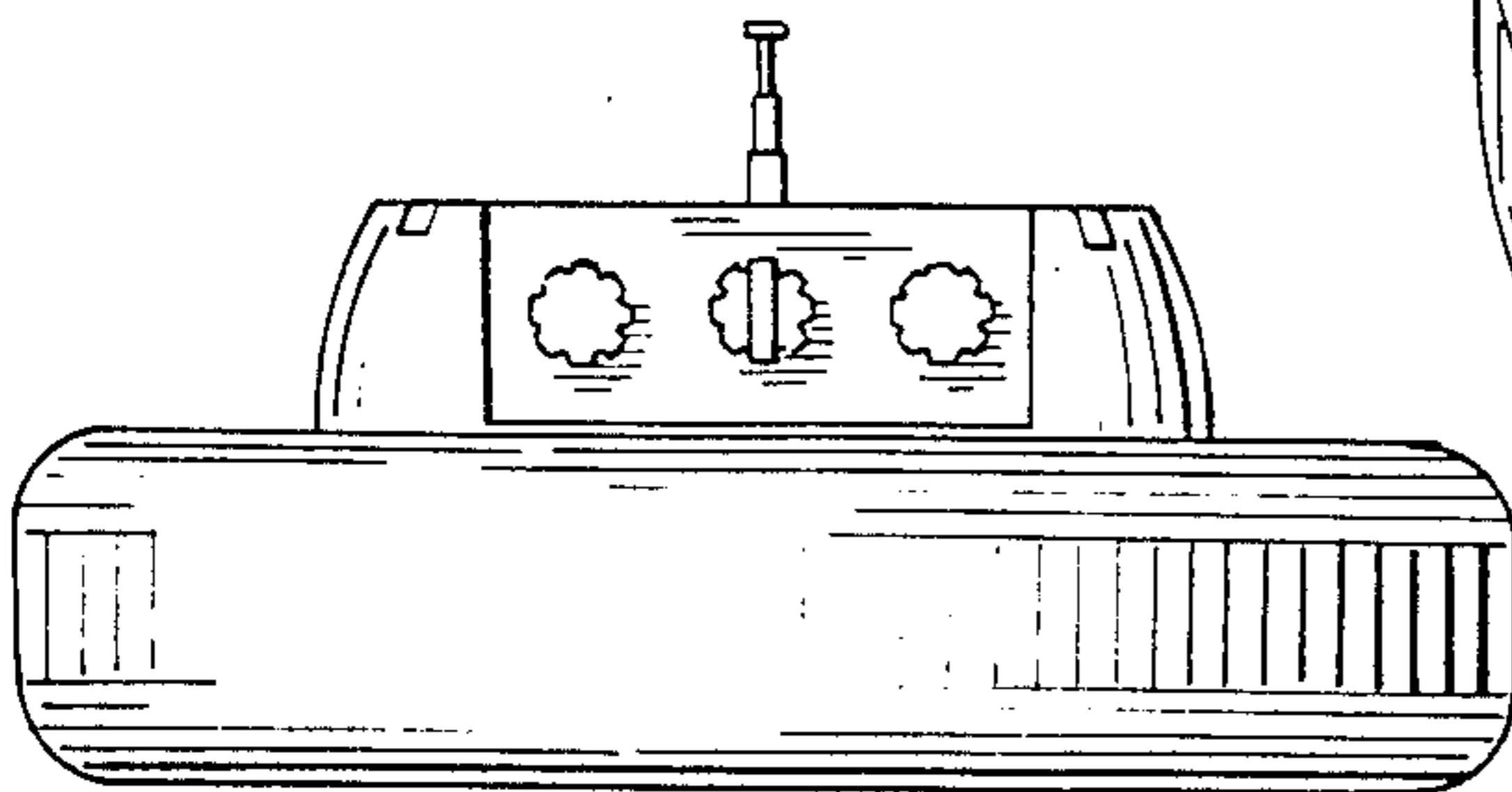
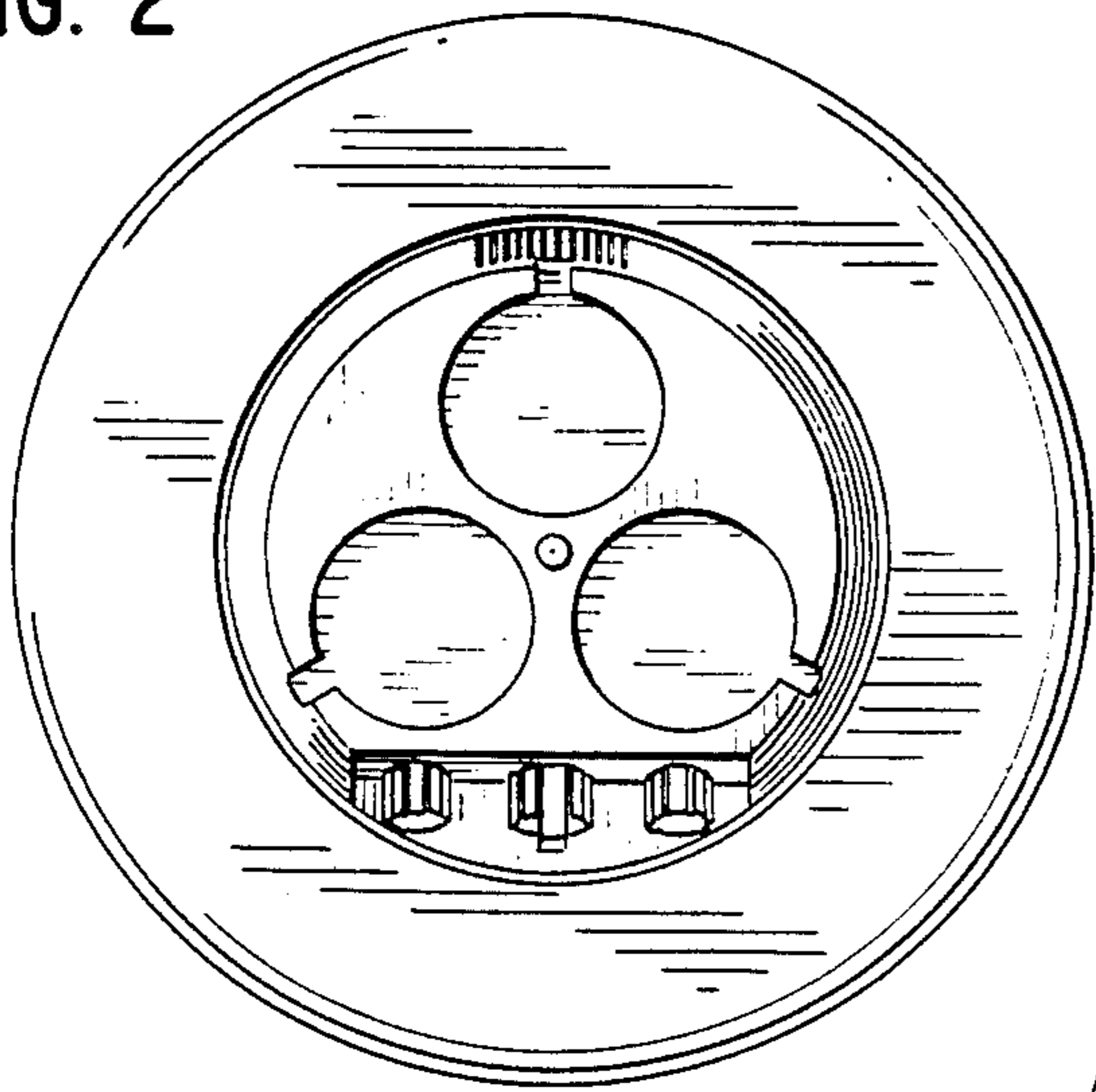


FIG. 3

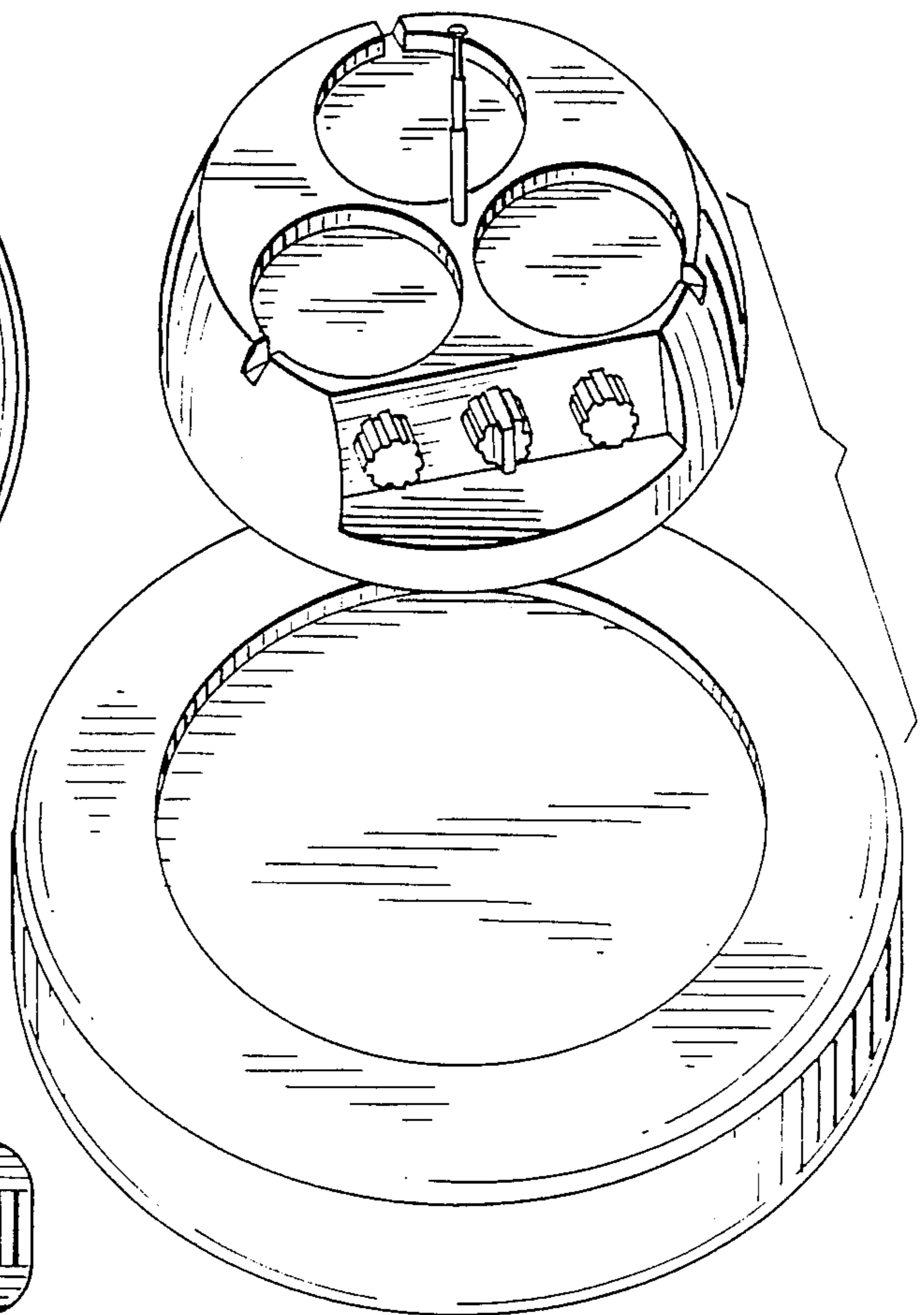


FIG. 6

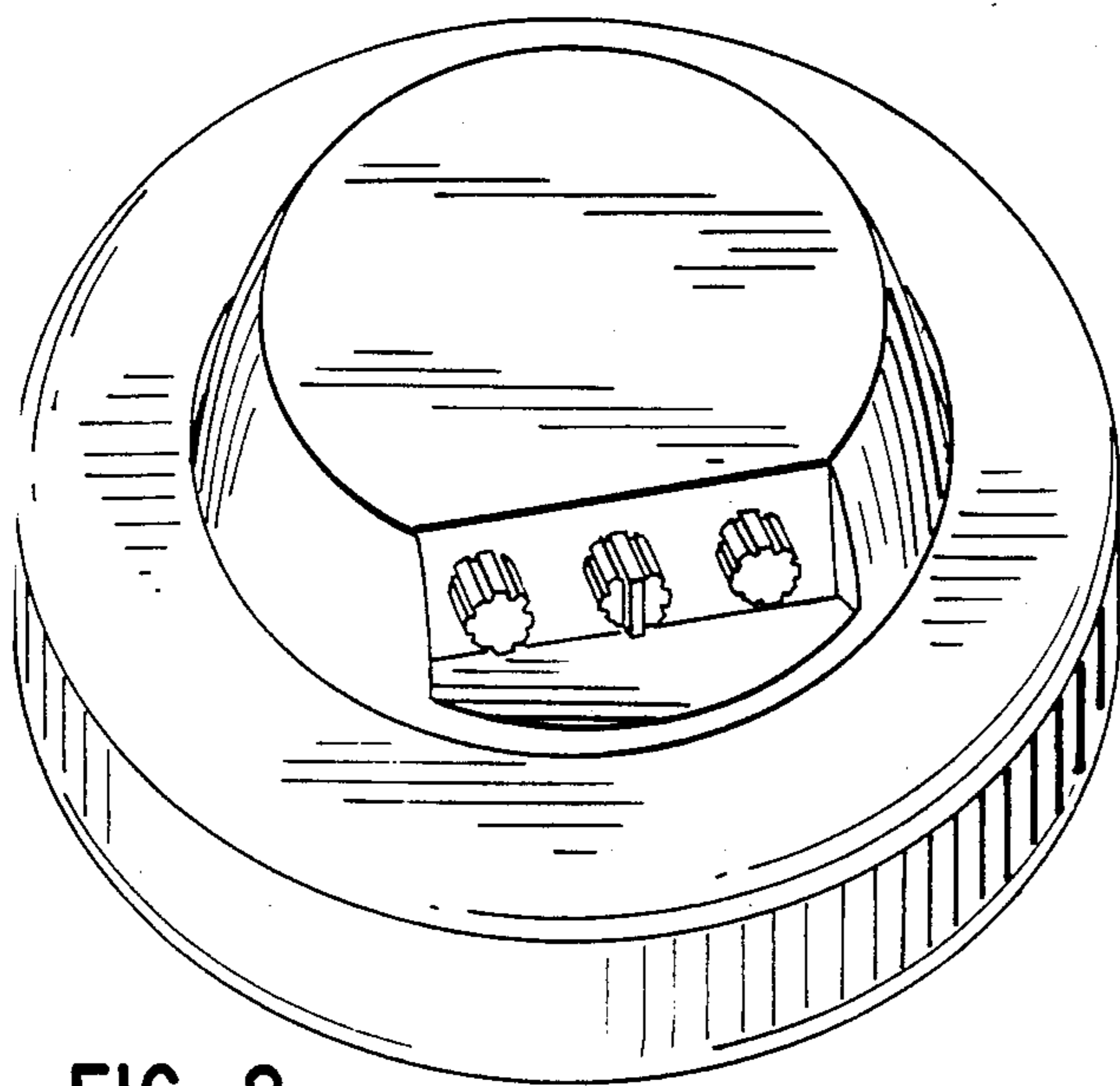


FIG. 8

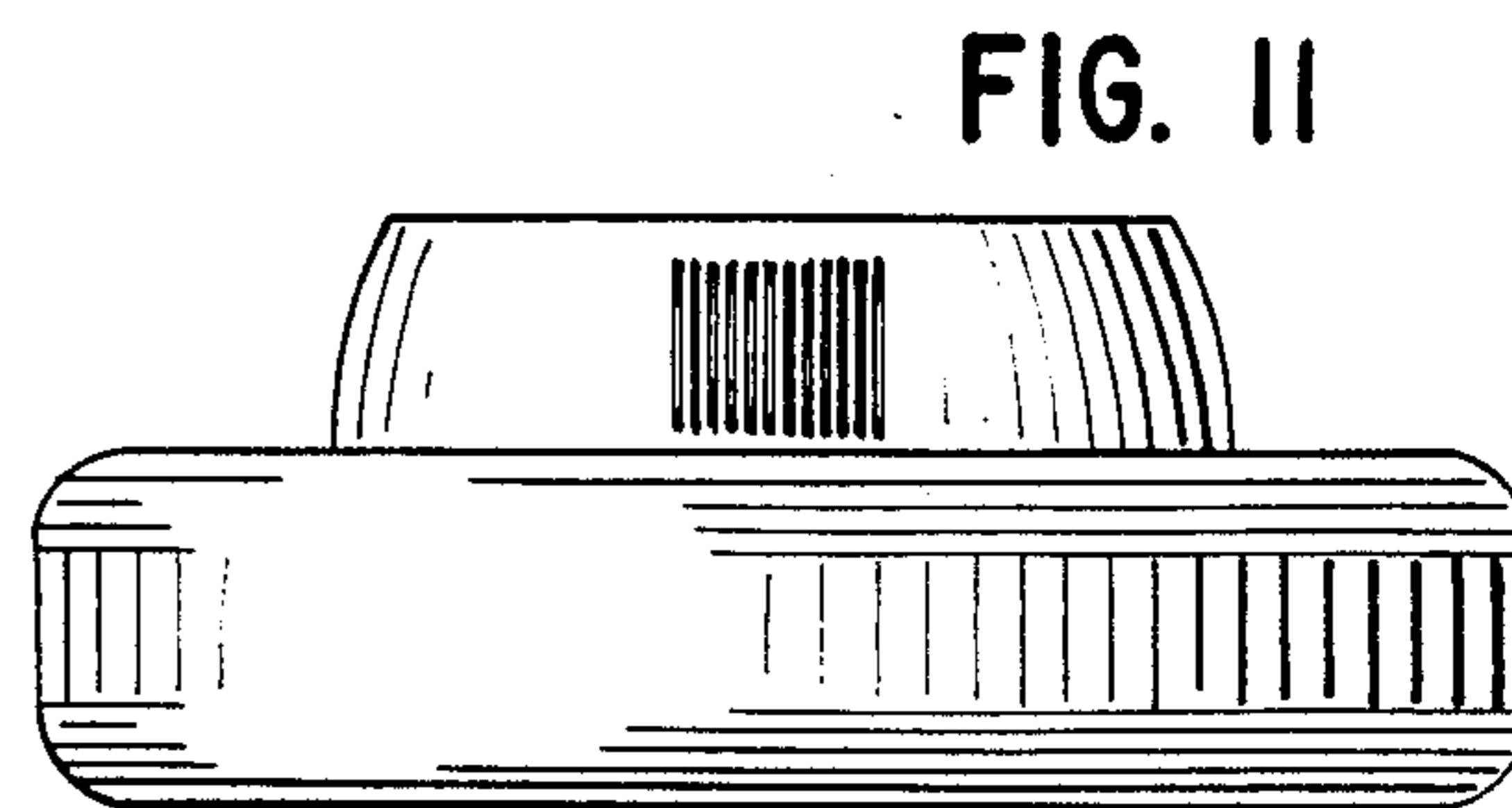


FIG. 11

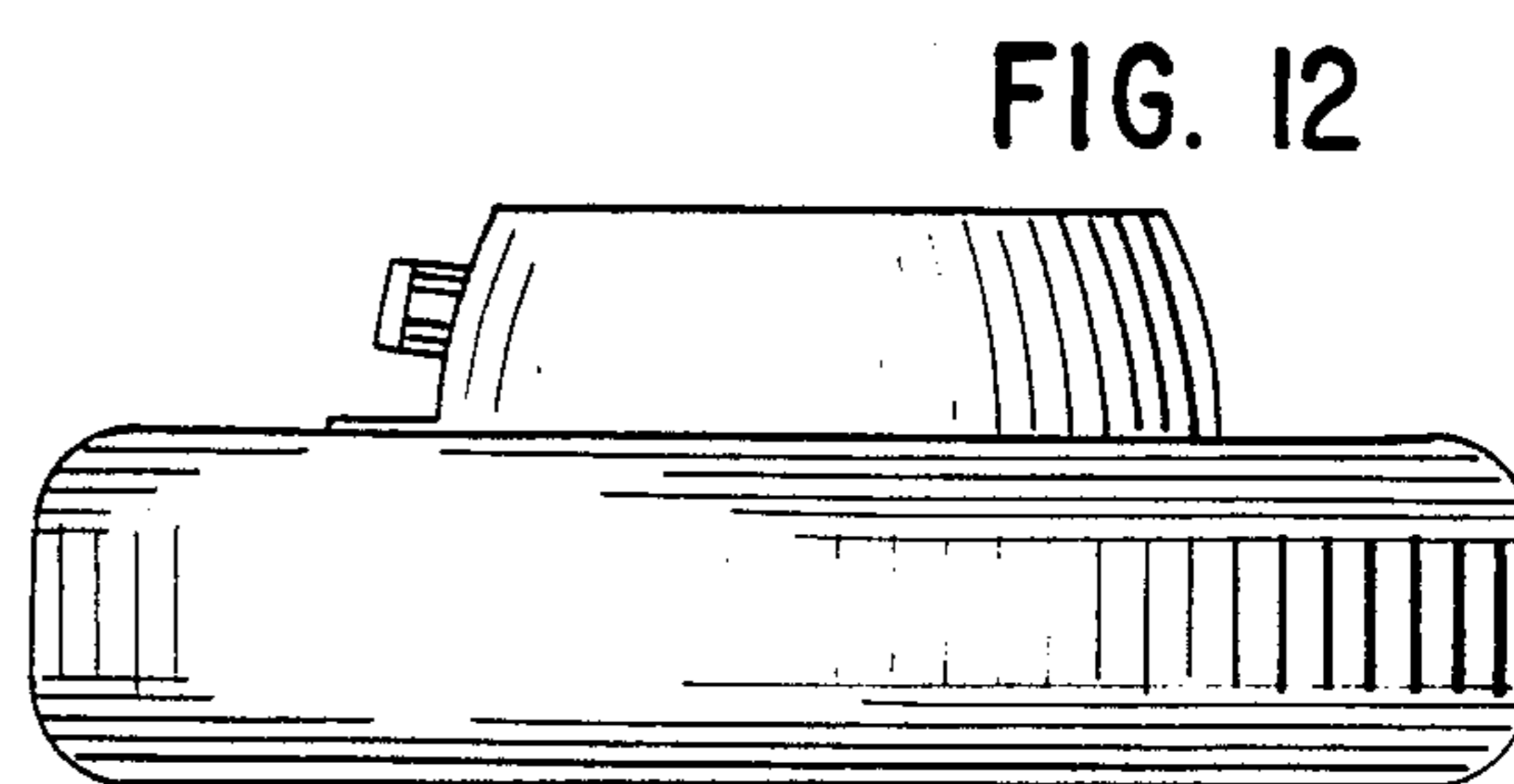


FIG. 12

FIG. 7

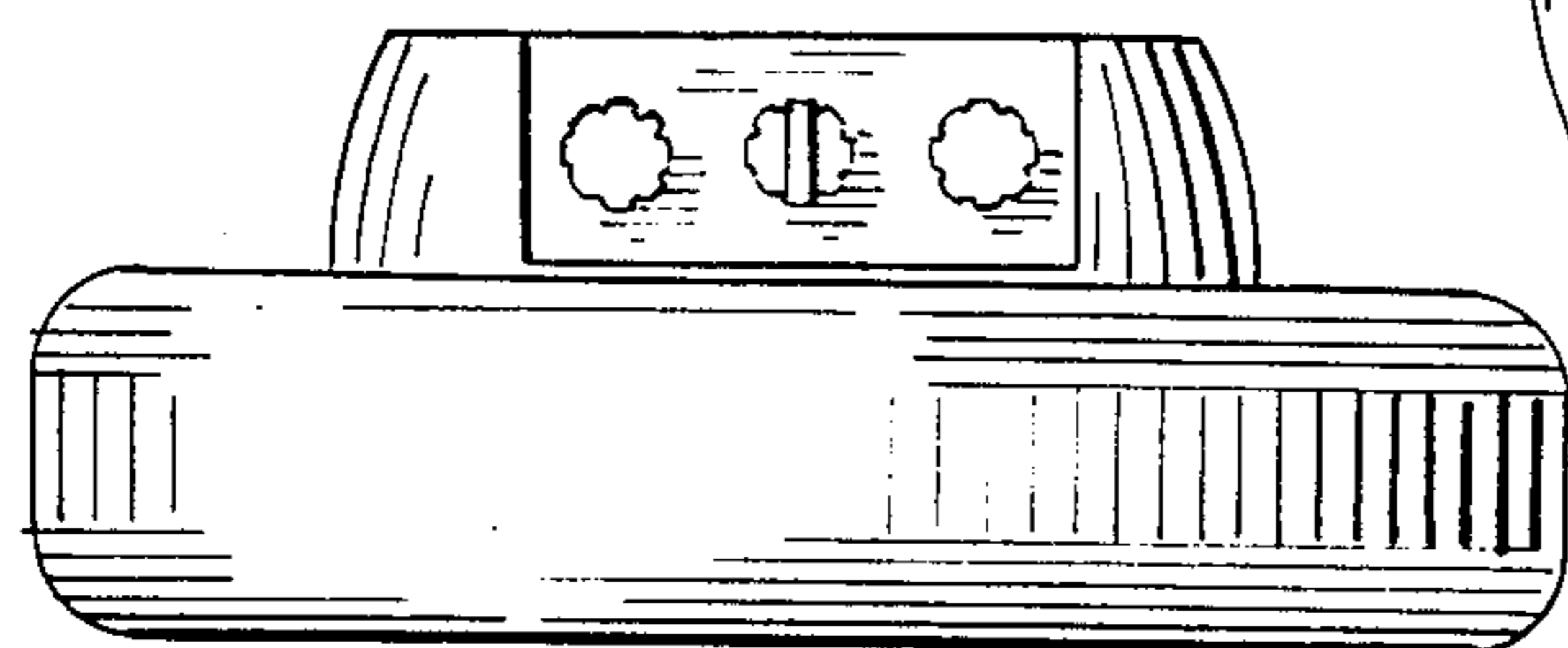
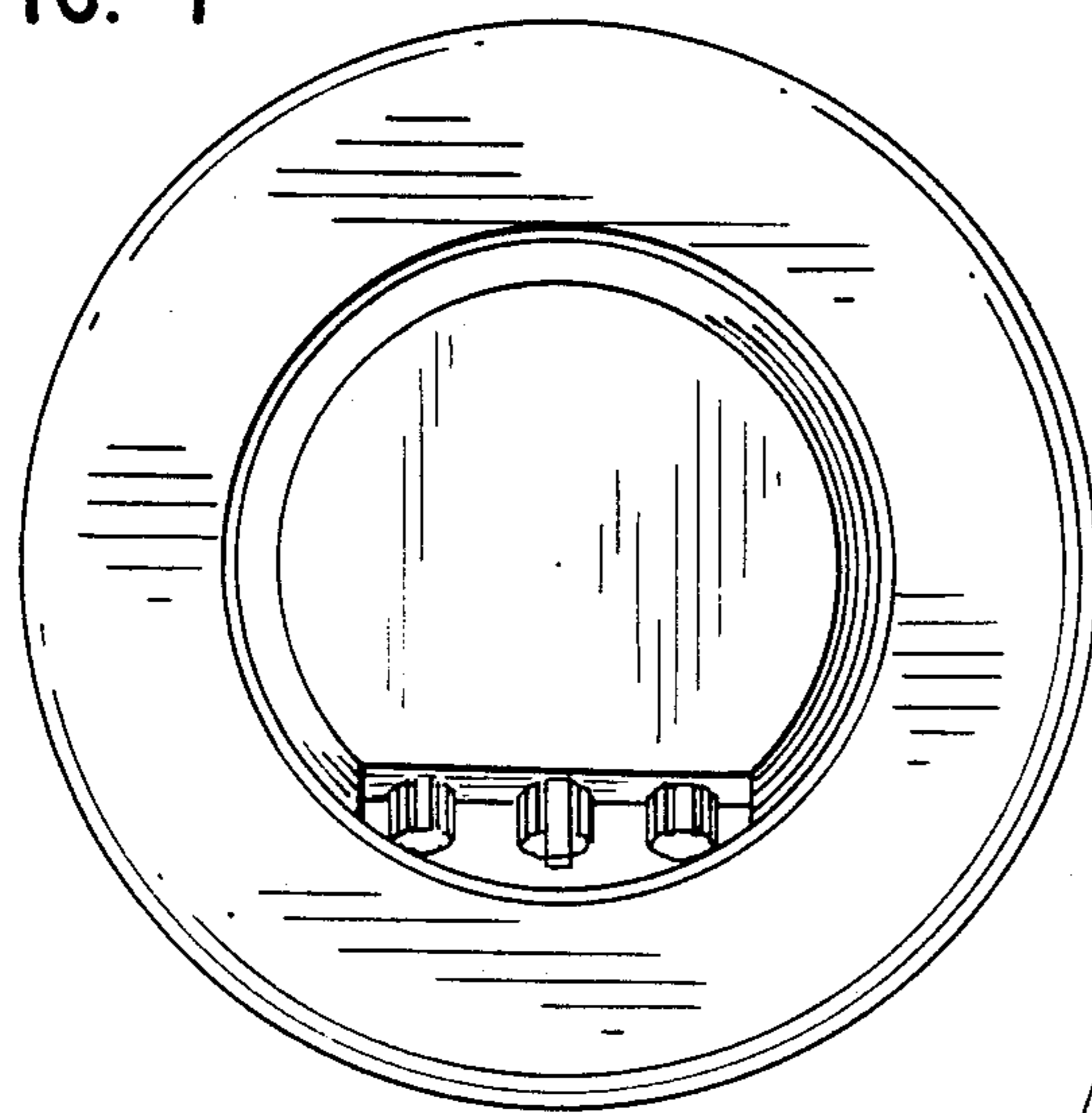


FIG. 10

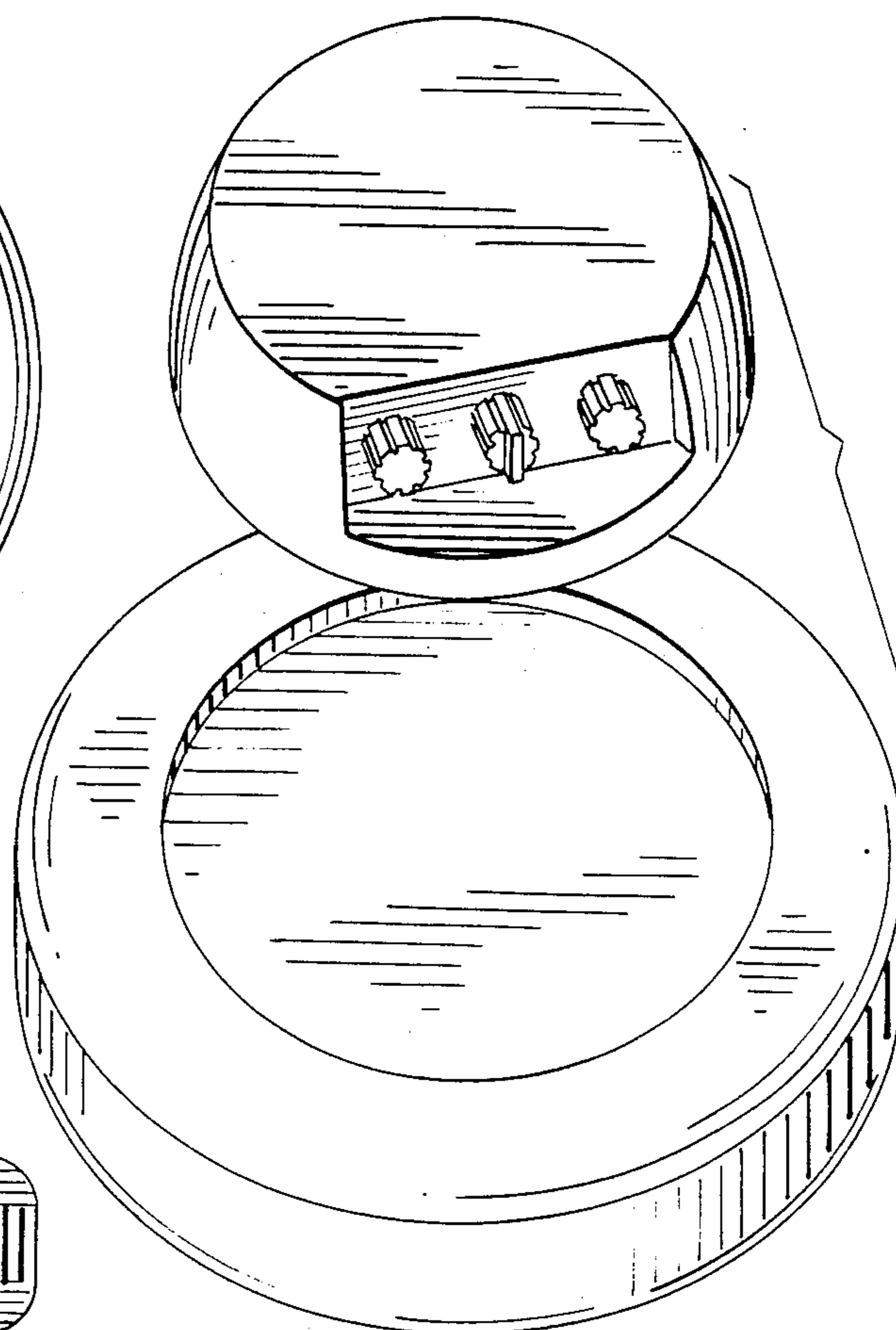


FIG. 9