

[54] VIDEO CAMERA

D. 288,811 3/1987 Kurokawa et al. D14/78

[75] Inventors: Koya Kurokawa; Masami Takahashi, both of Ehime, Japan

[73] Assignee: Matsushita Electric Industrial Co., Ltd., Osaka, Japan

[**] Term: 14 Years

[21] Appl. No.: 758,006

[22] Filed: Jul. 23, 1985

[30] Foreign Application Priority Data

Feb. 1, 1985 [JP] Japan 60-3496

[52] U.S. Cl. D14/78; D14/5; D16/4

[58] Field of Search D14/1, 2, 5, 6, 78, D14/99; D16/4; 352/72, 242; 358/229, 906

[56] References Cited

U.S. PATENT DOCUMENTS

- D. 223,410 4/1972 Larson D14/78
- D. 277,961 3/1985 Shimizu et al. D14/78
- D. 284,082 6/1986 Masatsugu et al. D14/78

OTHER PUBLICATIONS

Evans Catalog 1984-1985, p. 338, Item #13, G.E. Color Video Camera.

Primary Examiner—Bernard Ansher
Assistant Examiner—Theodore M. Shooman
Attorney, Agent, or Firm—Sughrue, Mion, Zinn, Macpeak & Seas

[57] CLAIM

The ornamental design for a video camera, as shown.

DESCRIPTION

FIG. 1 is a front, top and right side perspective view of a video camera showing our new design;
FIG. 2 is a rear, top and left side perspective view thereof;
FIG. 3 is a right side elevational view thereof;
FIG. 4 is a left side elevational view thereof.
FIG. 5 is a top plan view thereof;
FIG. 6 is a bottom plan view thereof;
FIG. 7 is a front elevational view thereof; and
FIG. 8 is a rear elevational view thereof.

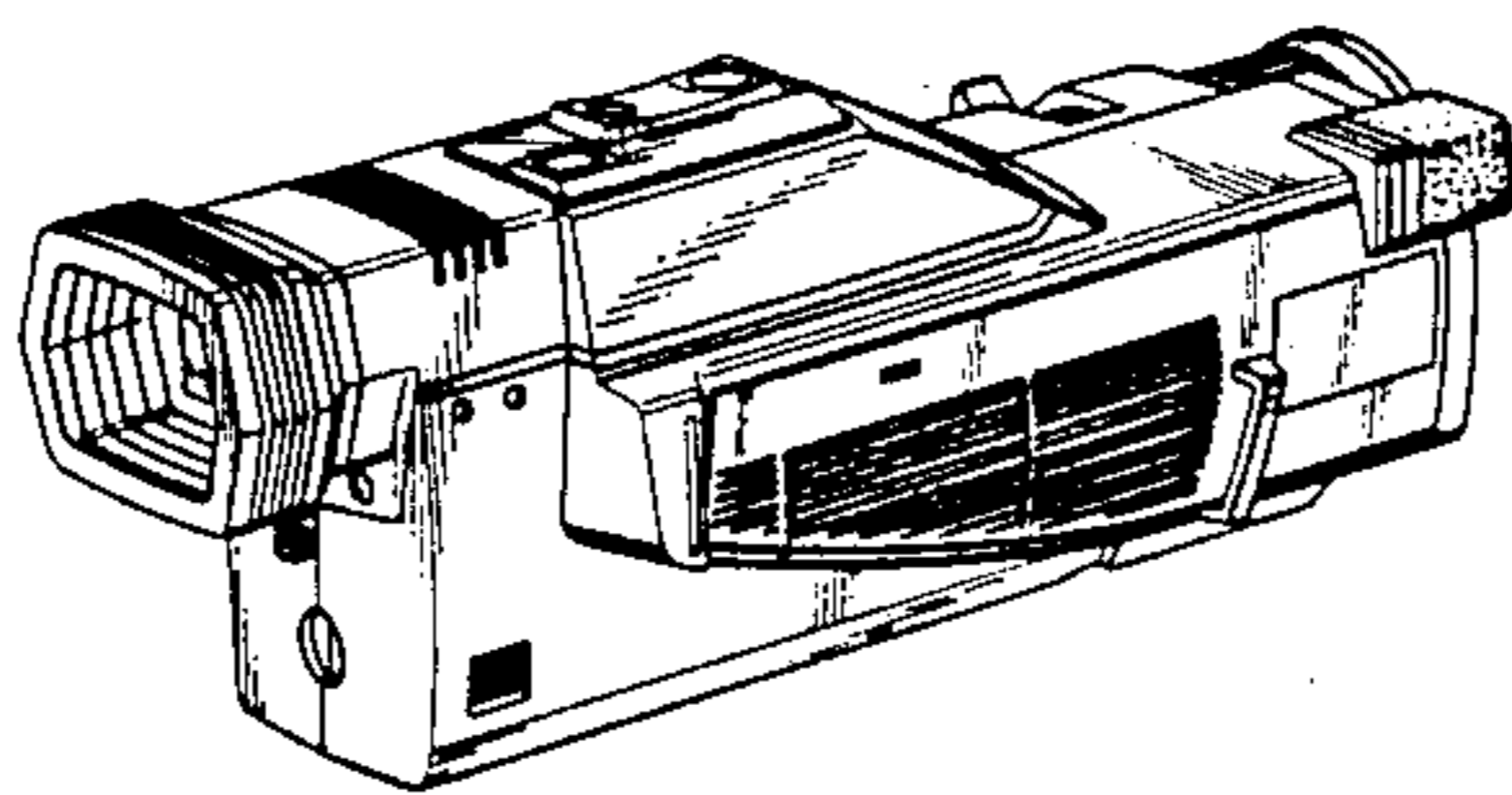
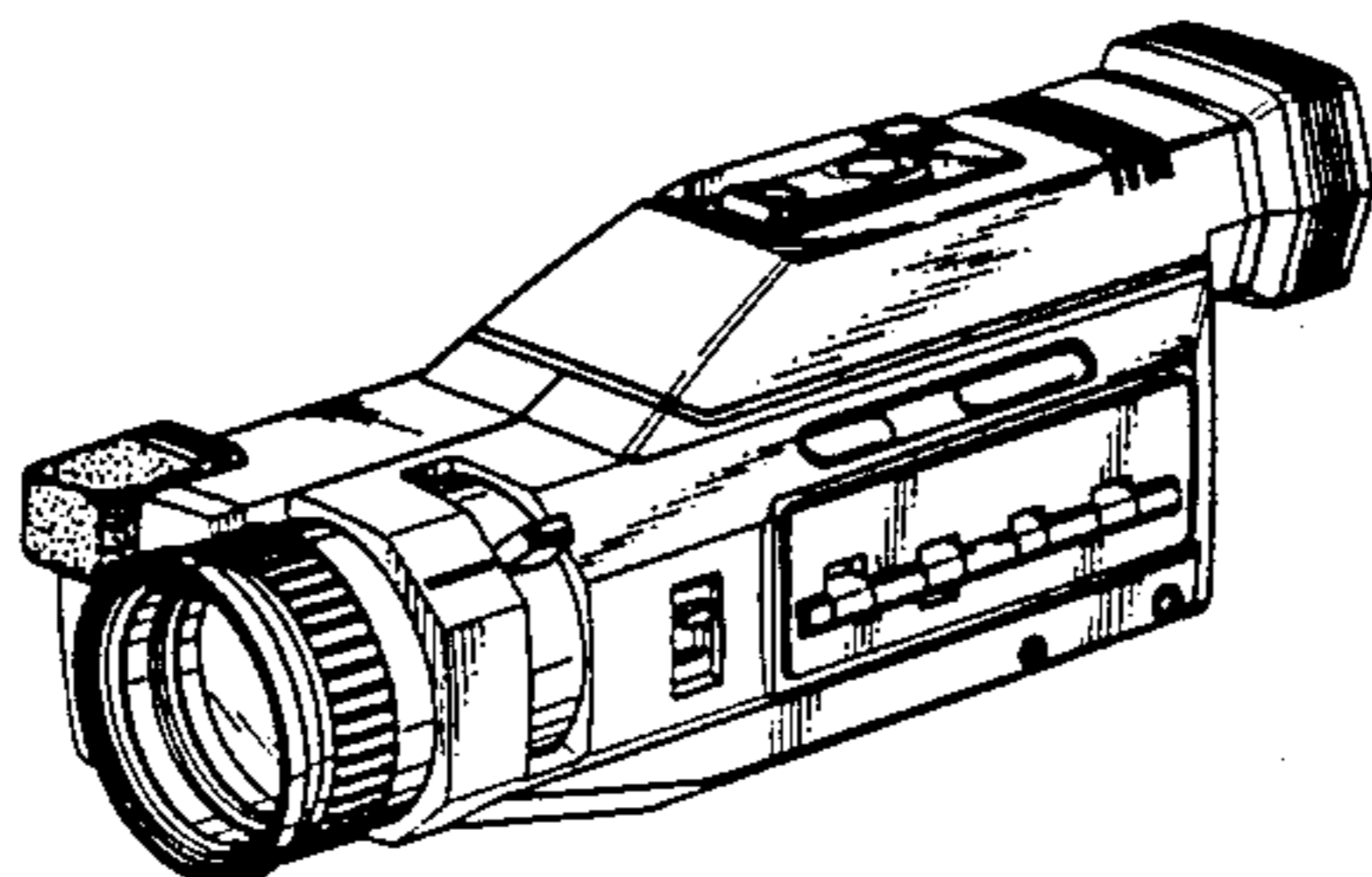


Fig. 1

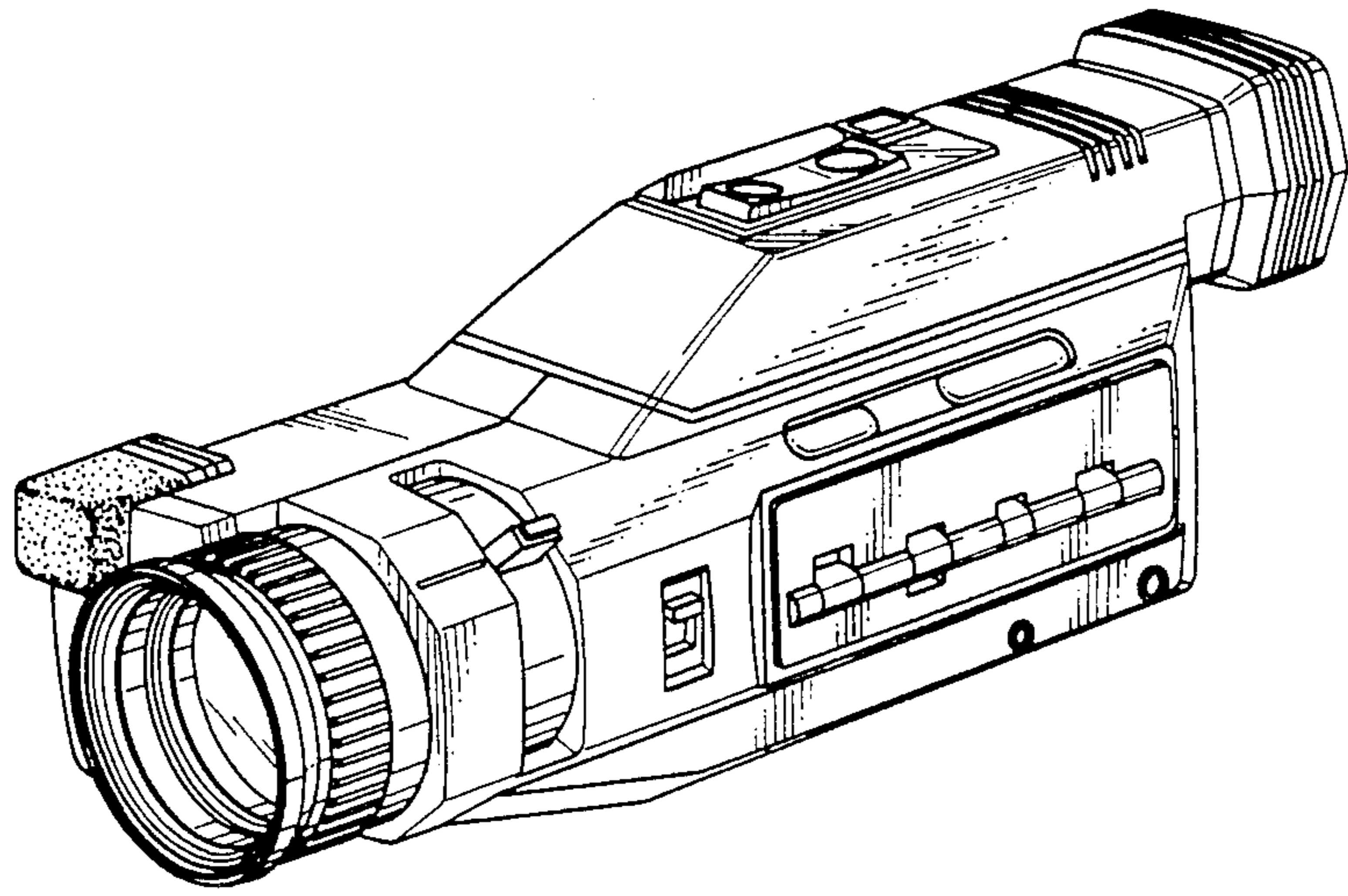


Fig. 2

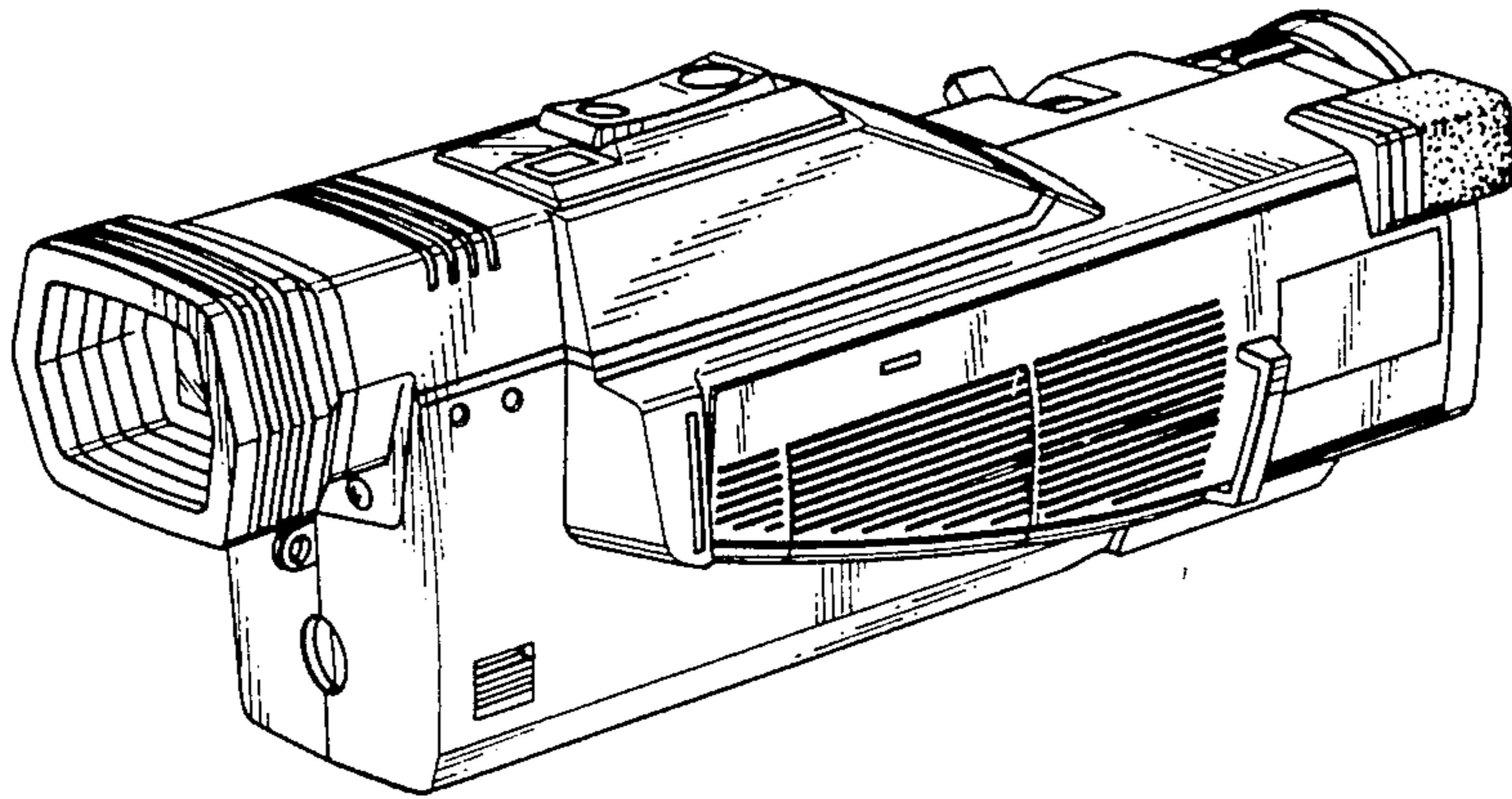


Fig. 3

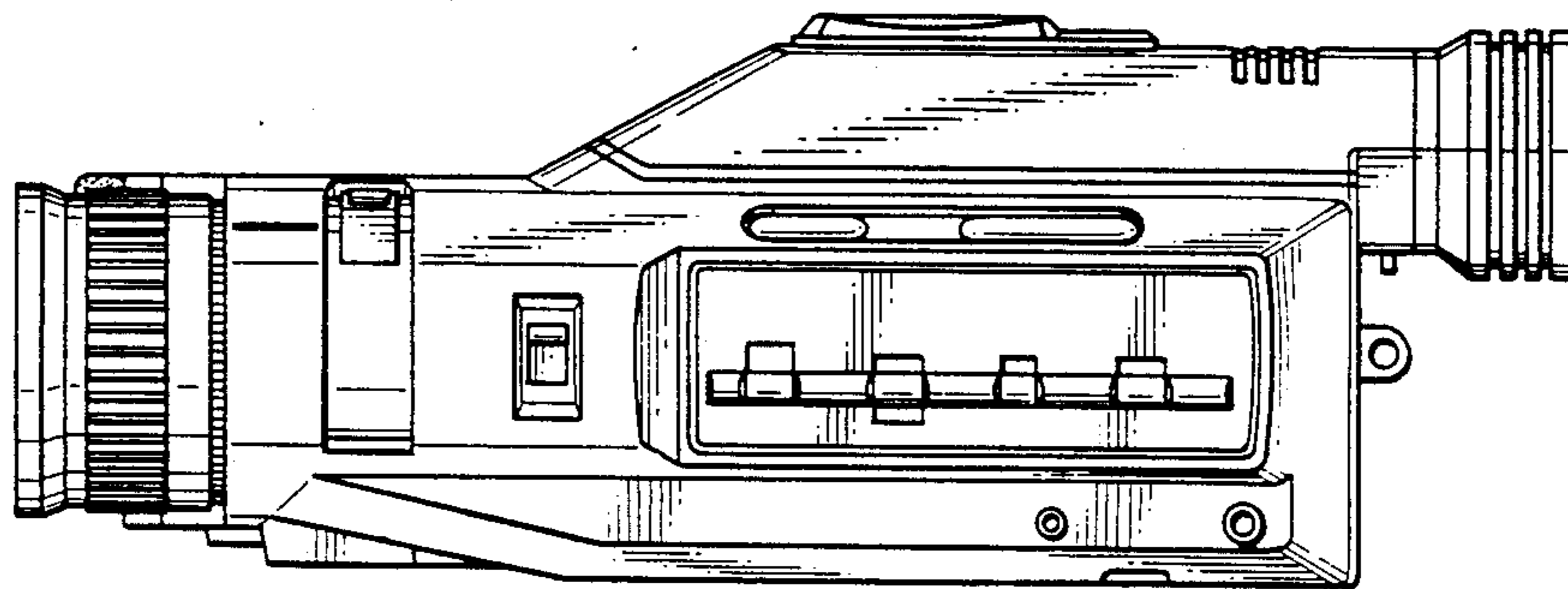


Fig. 4

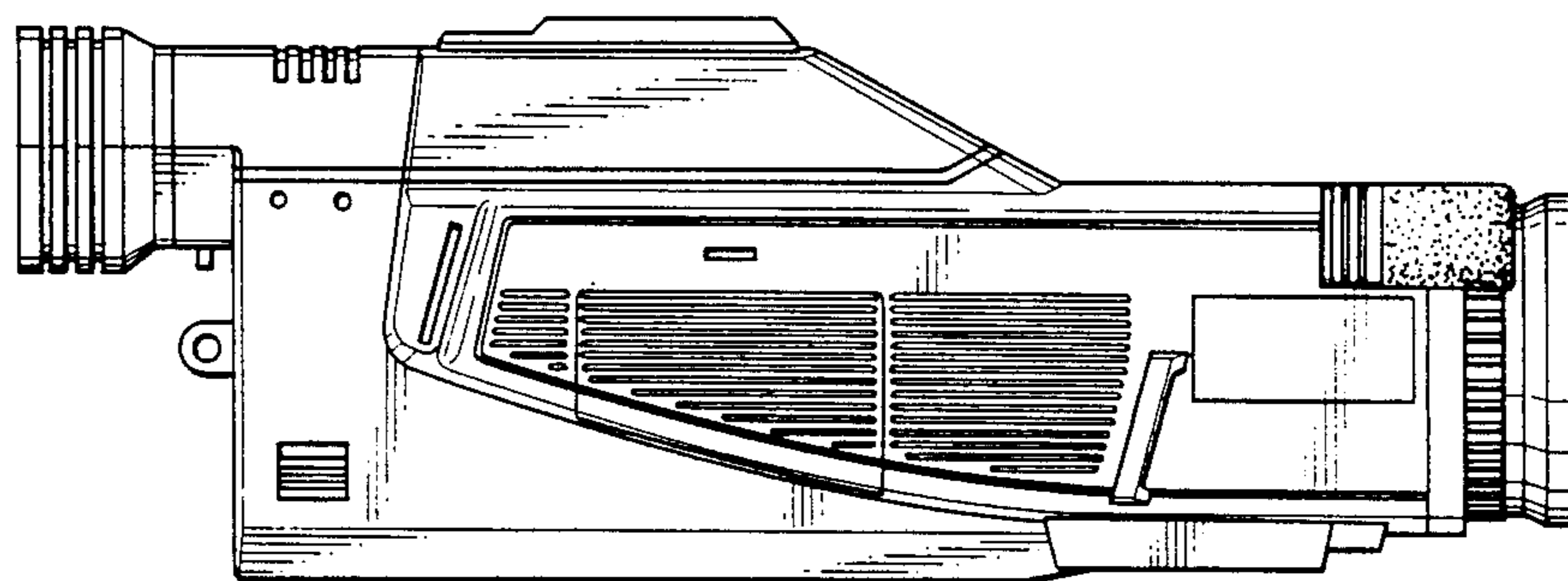


Fig. 5

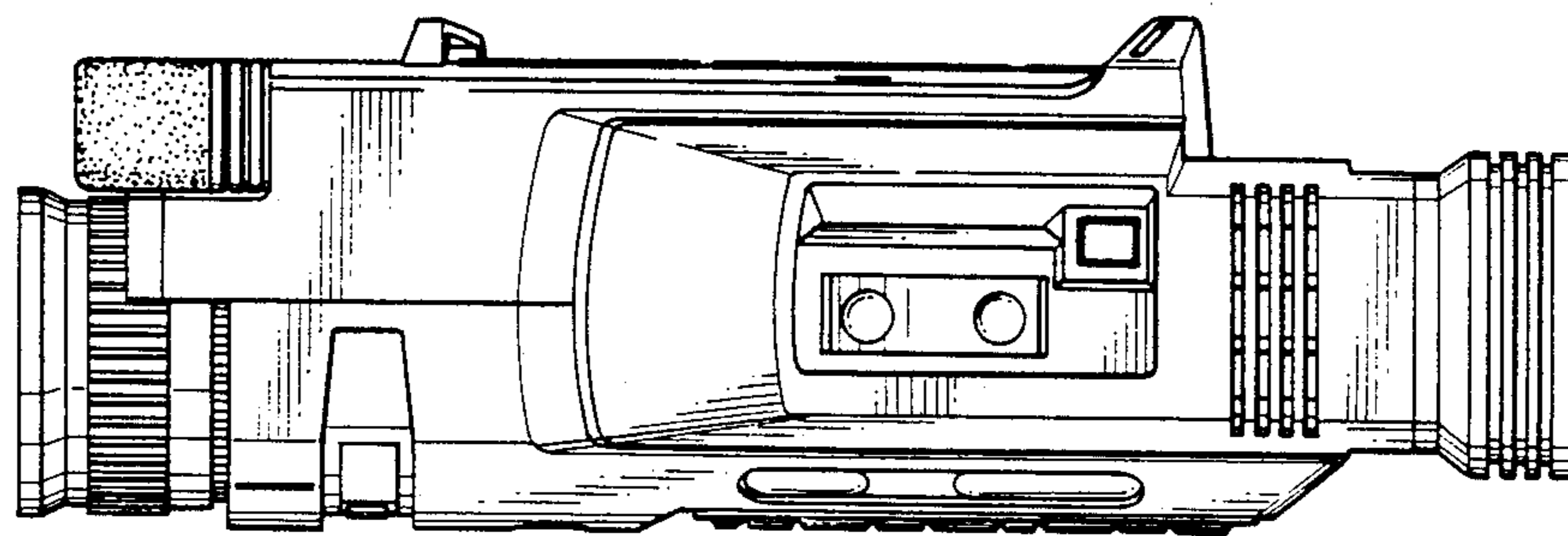


Fig.6

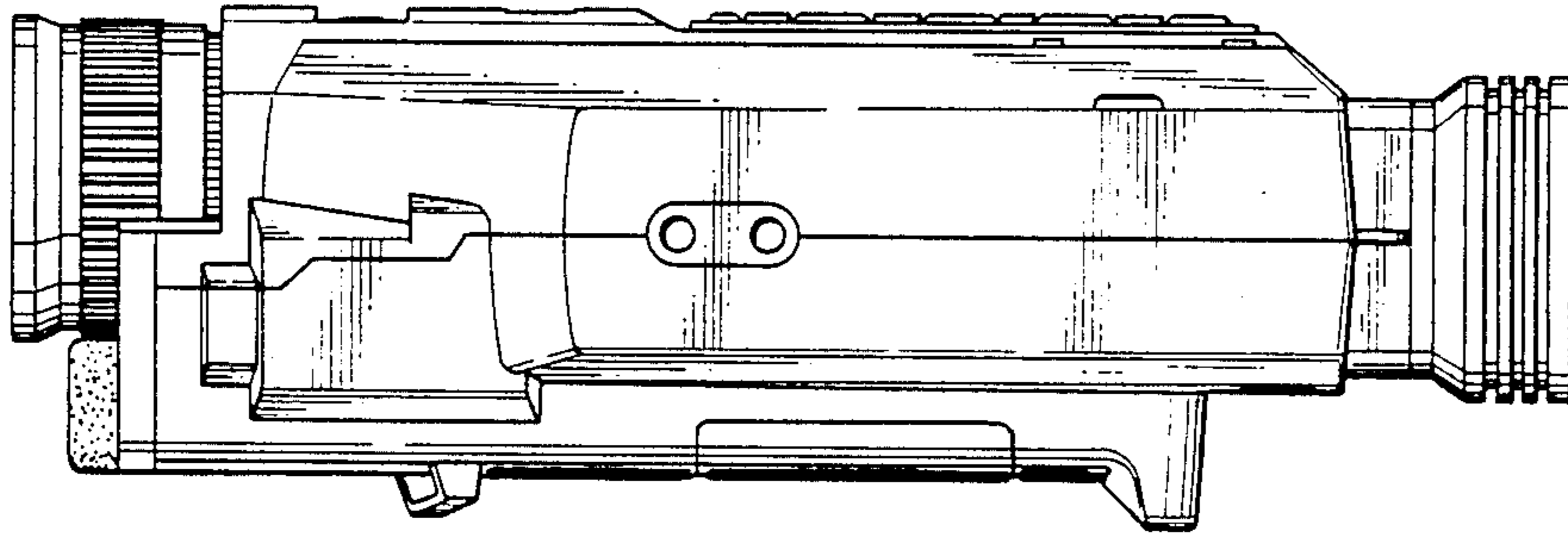


Fig.7

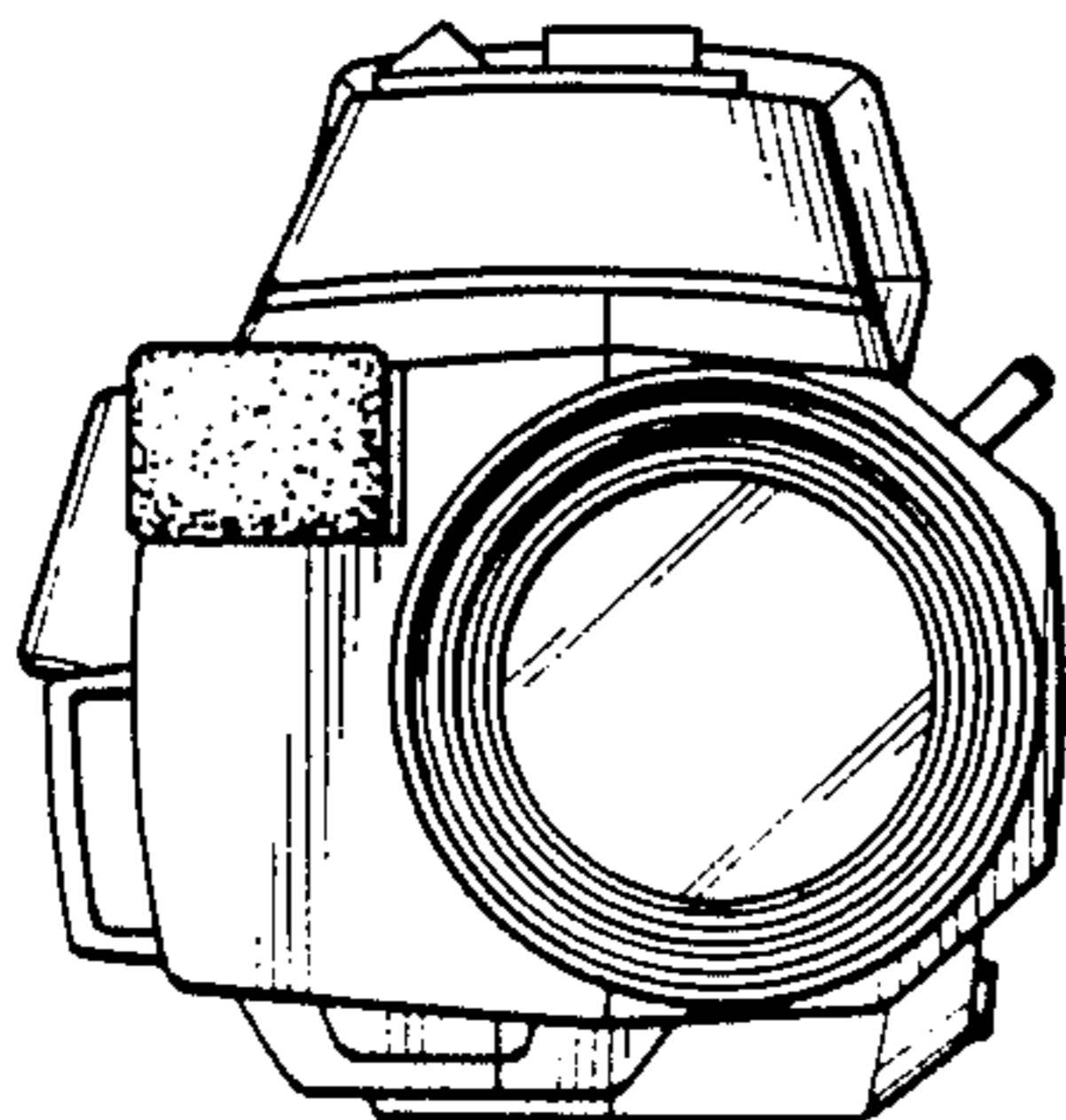


Fig.8

