

[54] **AUTOMOTIVE COMPASS**

[75] **Inventor: Peter G. Blaney, Walnut Creek, Calif.**
[73] **Assignee: Zemco, Inc., Walnut Creek, Calif.**
[**] **Term: 14 Years**
[21] **Appl. No.: 777,209**
[22] **Filed: Sep. 18, 1985**
[52] **U.S. Cl. D10/68**
[58] **Field of Search D10/68; 33/355, 361, 33/363, 364**

4,402,142 9/1983 Dinsmore 33/363 R X

Primary Examiner—Nelson C. Holtje
Attorney, Agent, or Firm—Owen, Wickersham and Erickson

[57] **CLAIM**

The ornamental design for automotive compass, substantially as shown and described.

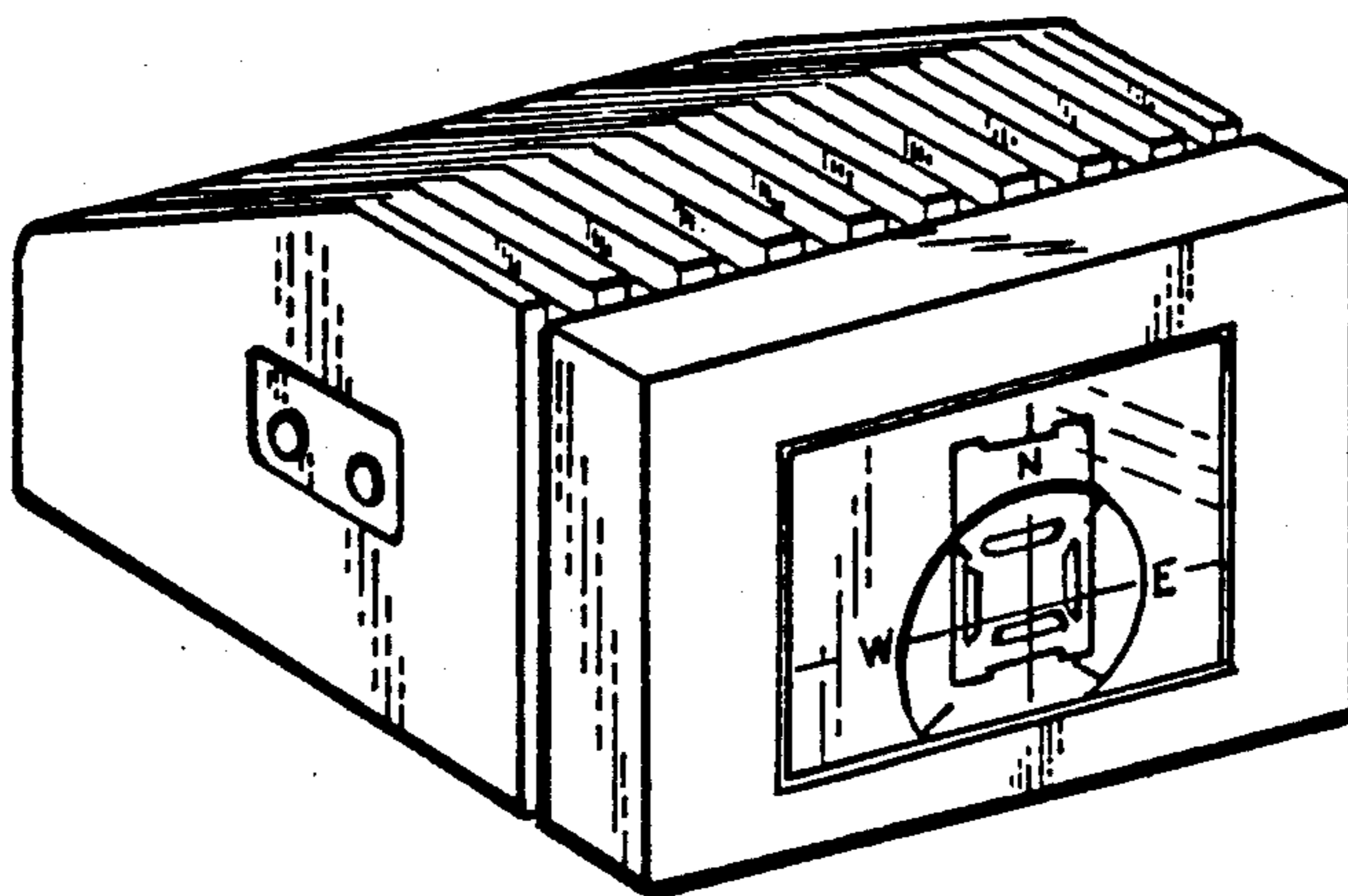
DESCRIPTION

FIG. 1 is a front and top-left perspective view of an automotive compass showing my new design; FIG. 2 is a left side elevational view thereof; FIG. 3 is a front end view thereof; FIG. 4 is a top plan view thereof; FIG. 5 is a bottom plan view thereof; FIG. 6 is a right side elevational view thereof; and FIG. 7 is a rear end view thereof.

[56] **References Cited**

U.S. PATENT DOCUMENTS

3,584,388 6/1971 Petrov 33/361
4,146,970 4/1979 Edwards 33/363 K



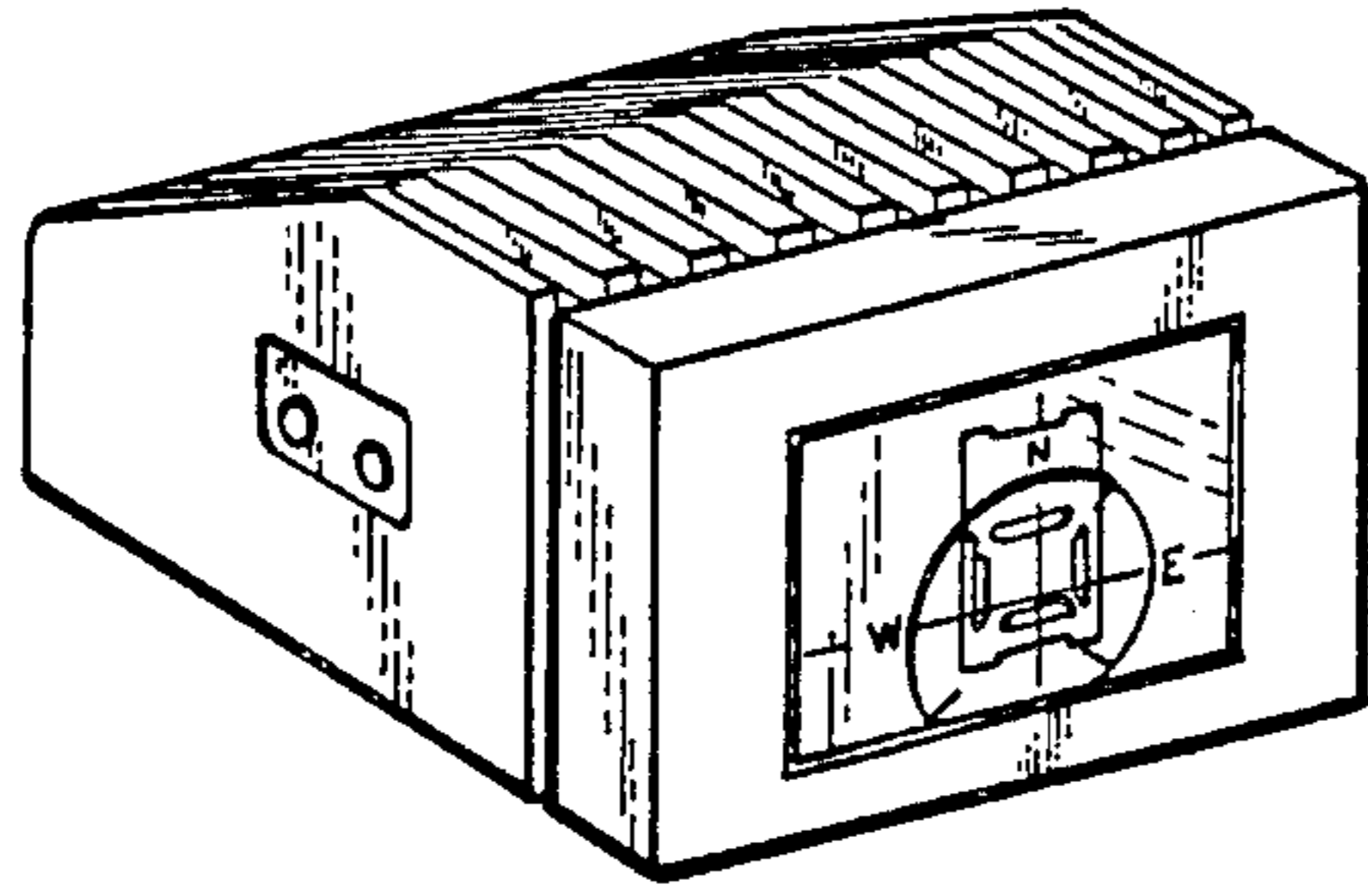


FIG. 1.

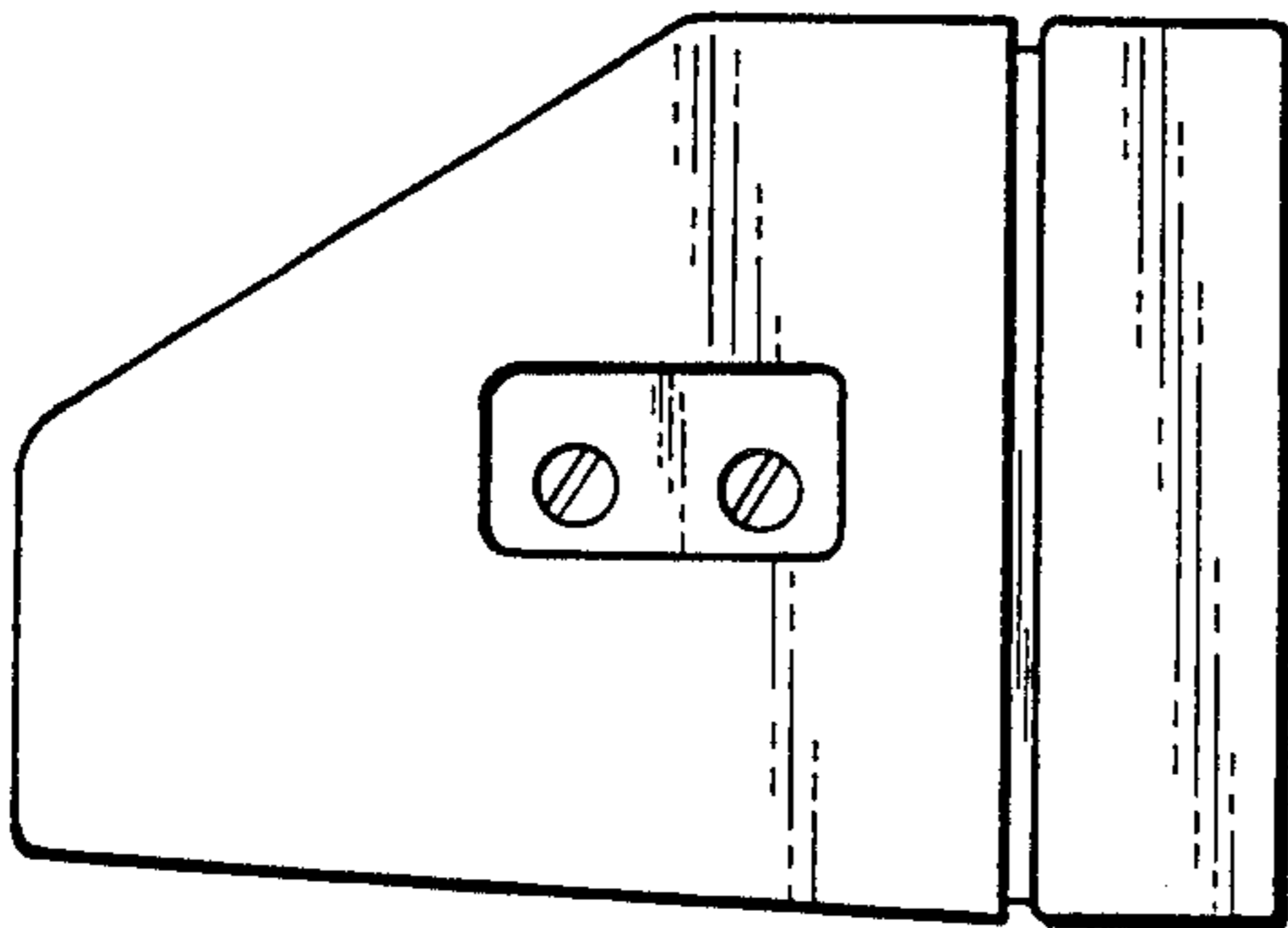


FIG. 2.

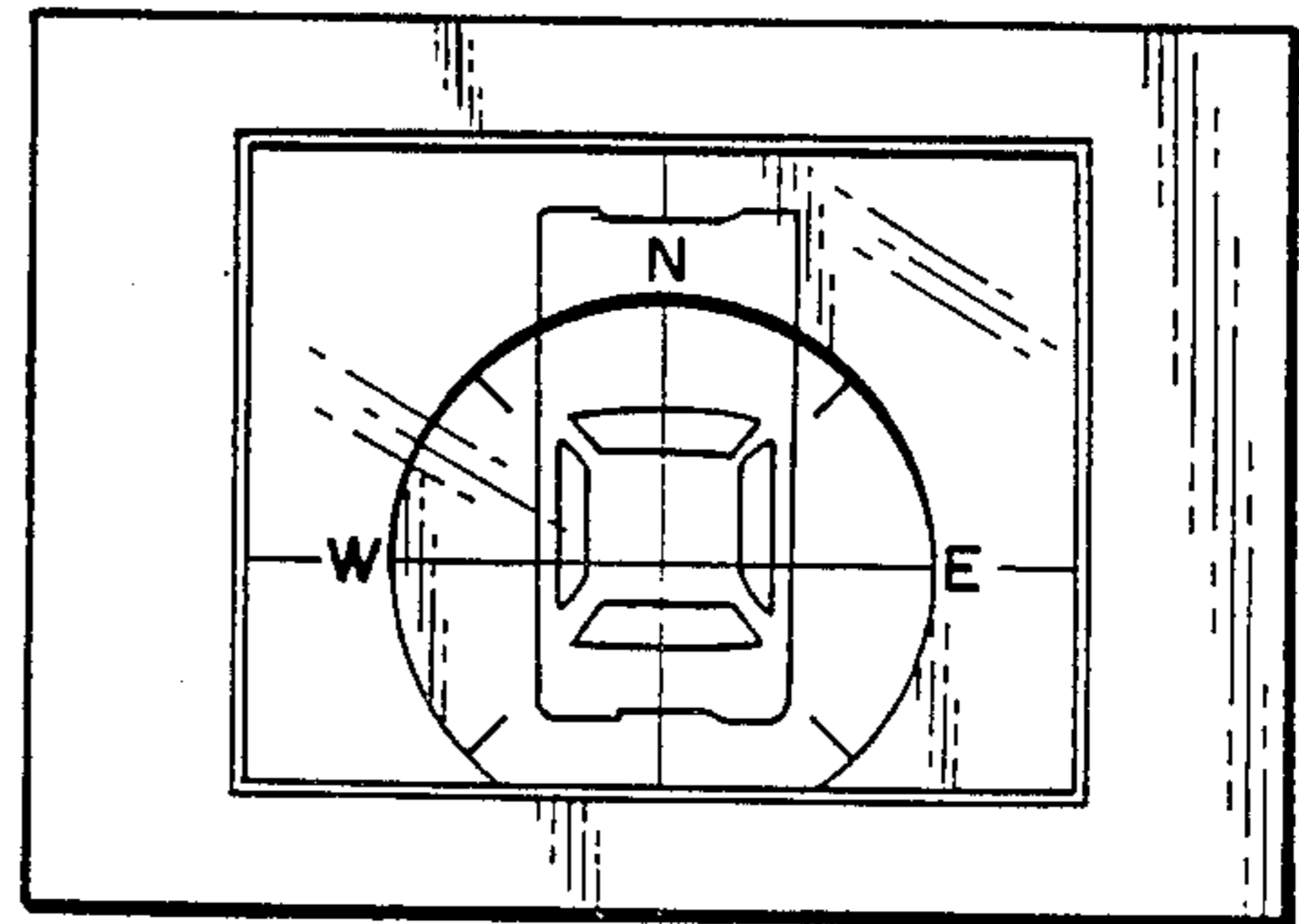


FIG. 3.

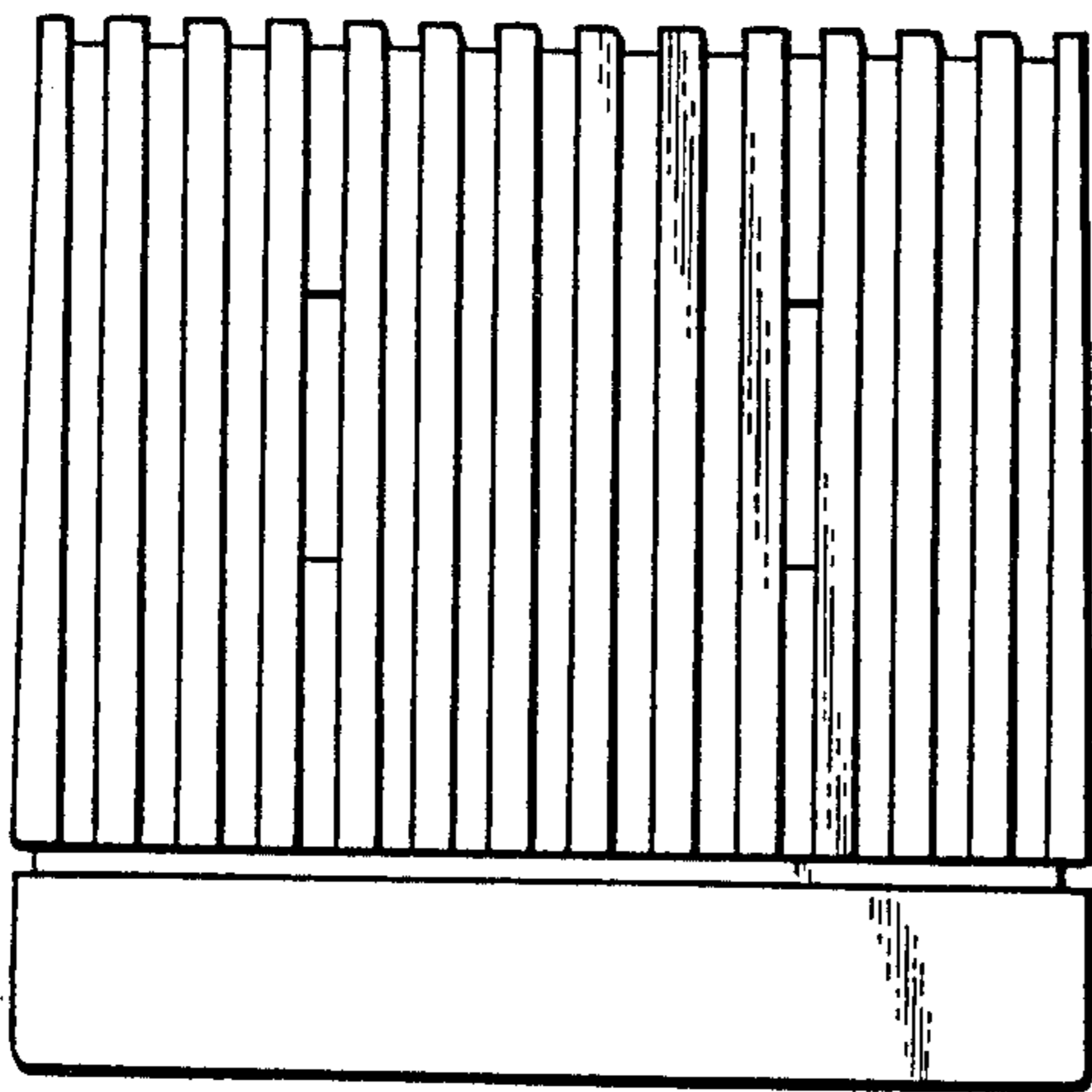


FIG. 5.

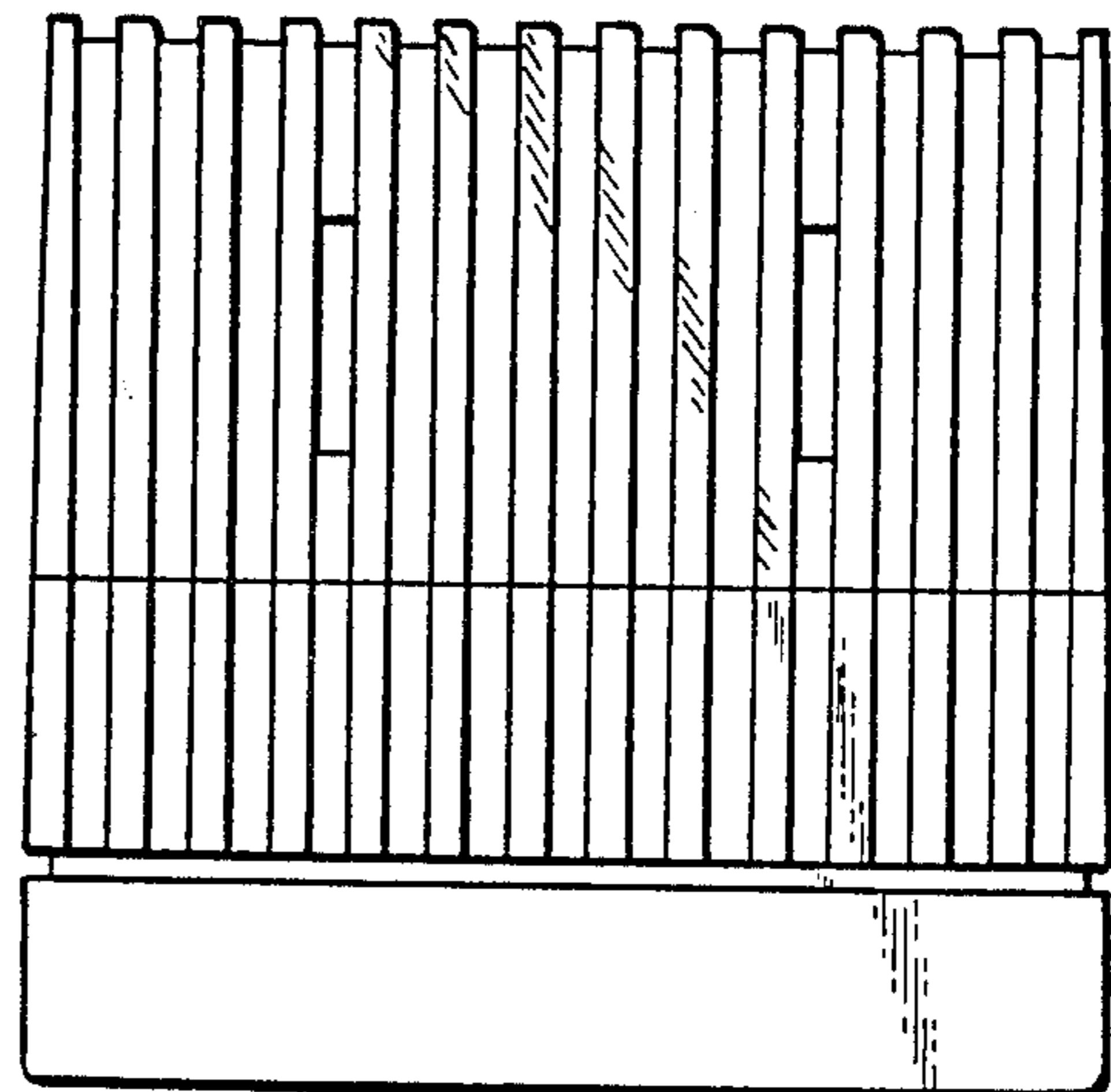


FIG. 4.

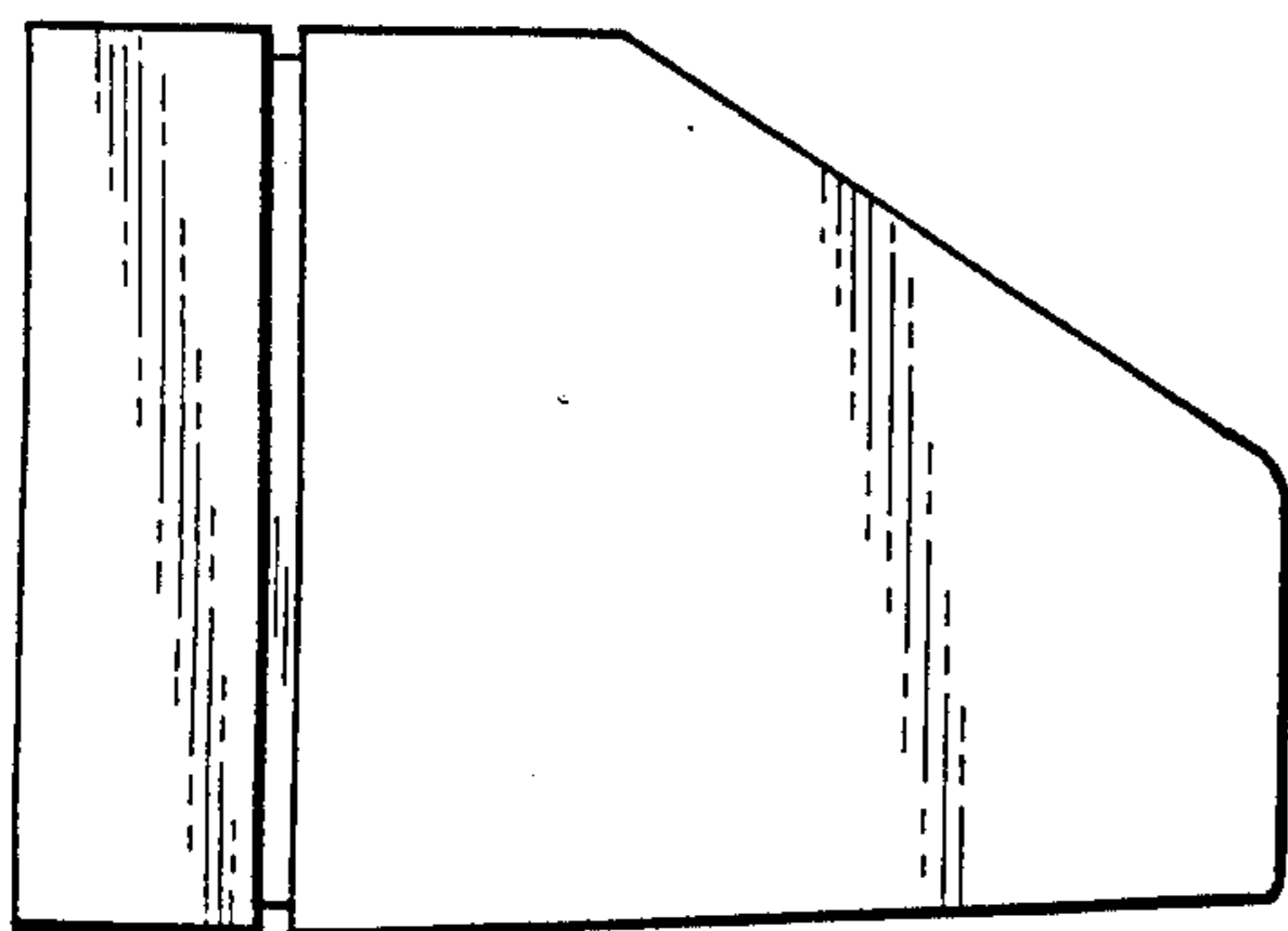


FIG. 6.

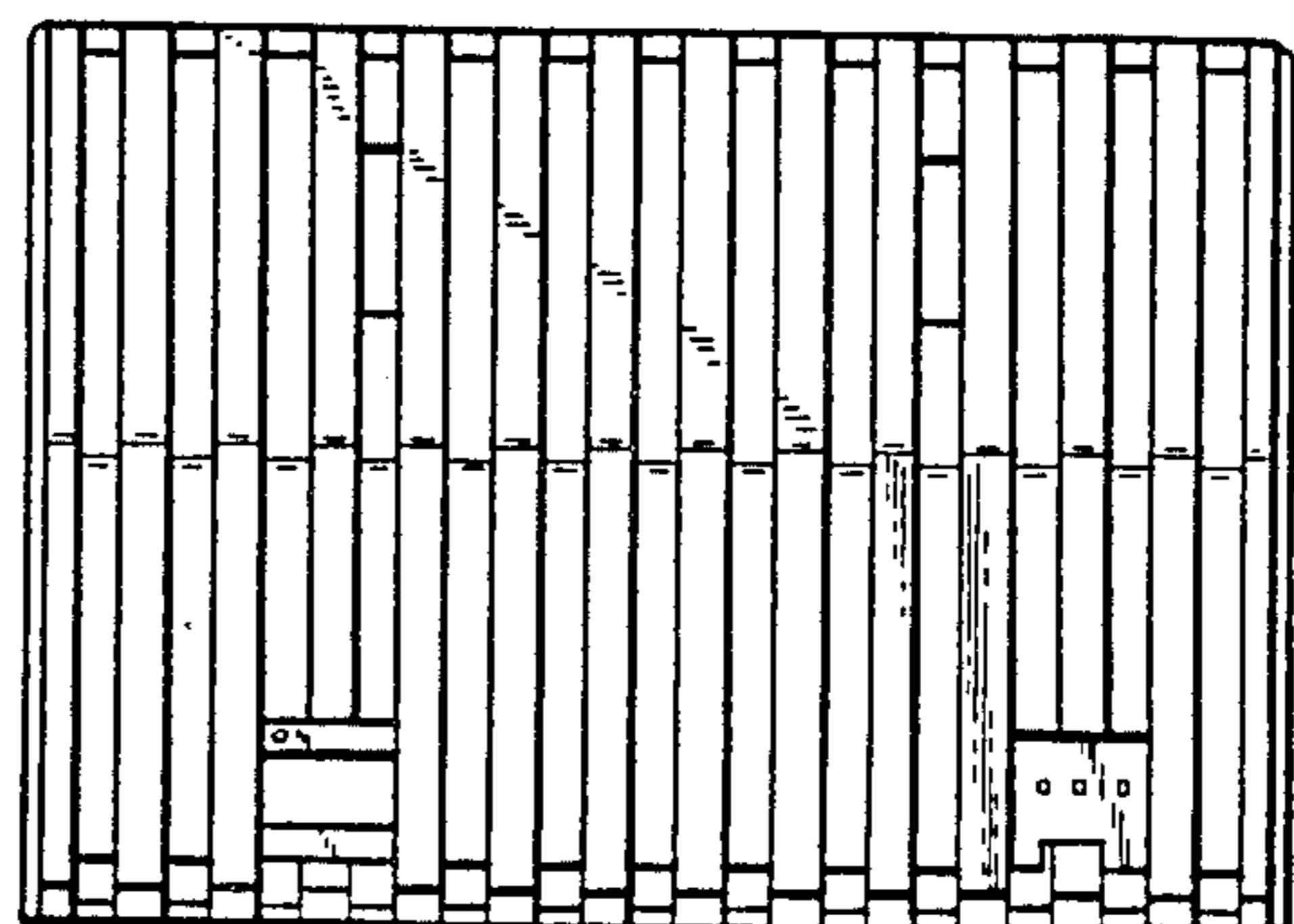


FIG. 7.