

[54] HAND TROWEL

[76] Inventor: David K. Tremaine, 2504 30th Street, San Diego, Calif. 92104

[**] Term: 14 Years

[21] Appl. No.: 814,871

[22] Filed: Dec. 30, 1985

[52] U.S. Cl. D8/10

[58] Field of Search D8/1, 10; 172/371, 374; 294/49, 54-58; 16/110 R, 111 R, 122, 125, 127

[56] References Cited

U.S. PATENT DOCUMENTS

D. 186,008 8/1959 Hobson D8/10

OTHER PUBLICATIONS

Brochure: Trump Series 800 Garden Tools, No. 413--Transplanter, (1965).

Brochure: True Temper New Hand Tools, No. D-2-0-Regular Trowel, (1965).

Smith & Hawken Catalogue, (Summer 1984), p. 2, #3054, "T" Handle Dibber.

Primary Examiner--Wallace R. Burke

Assistant Examiner--Brian N. Vinson

Attorney, Agent, or Firm--William L. Chapin

[57] CLAIM

The ornamental design for a hand trowel, as shown and described.

DESCRIPTION

FIG. 1 is a top plan view of a hand trowel showing my new design.

FIG. 2 is a bottom plan view thereof.

FIG. 3 is a right side elevation view thereof, the left side being a mirror image; and

FIG. 4 is a rear end elevation view thereof.

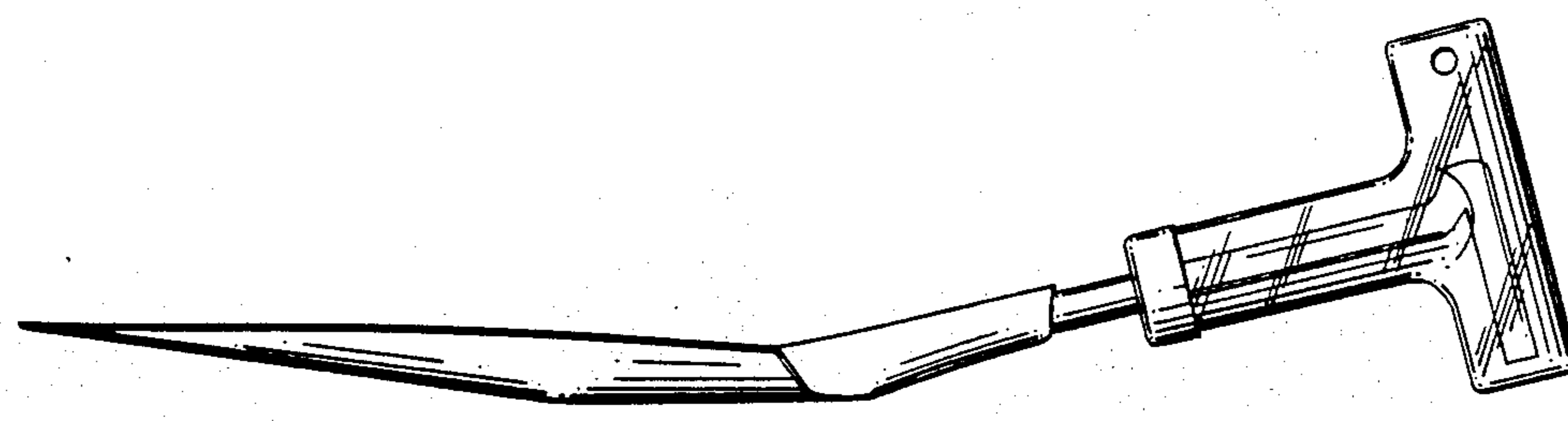
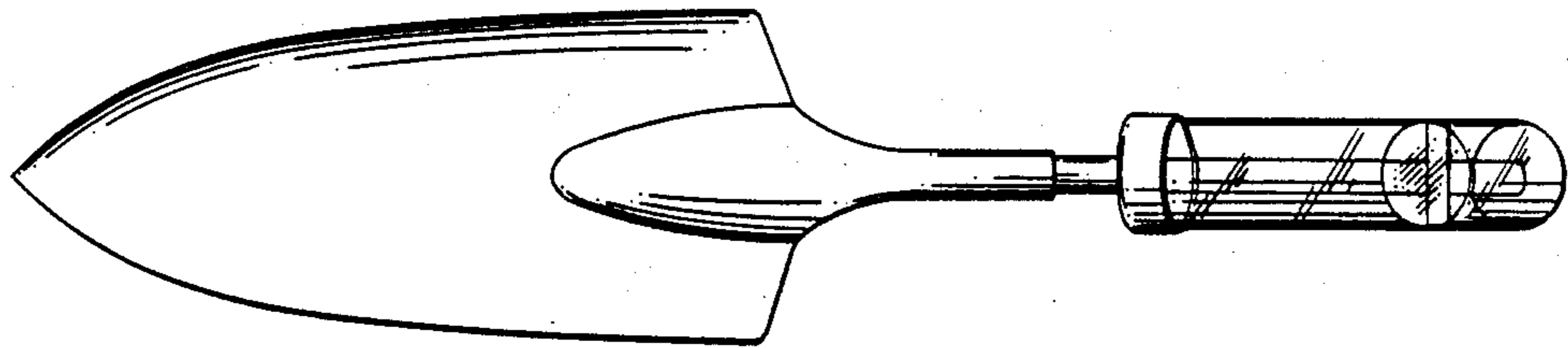


FIG. 1

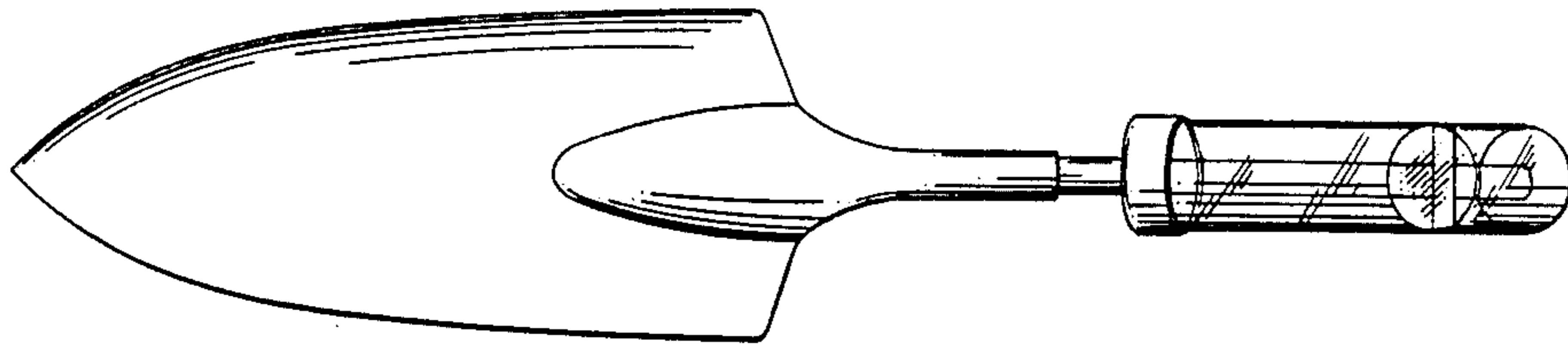


FIG. 2

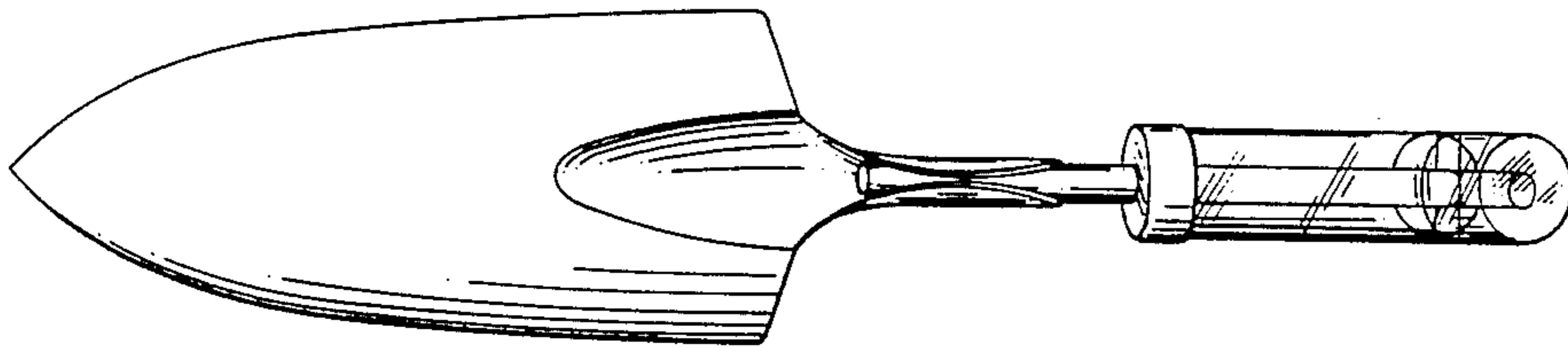


FIG. 3

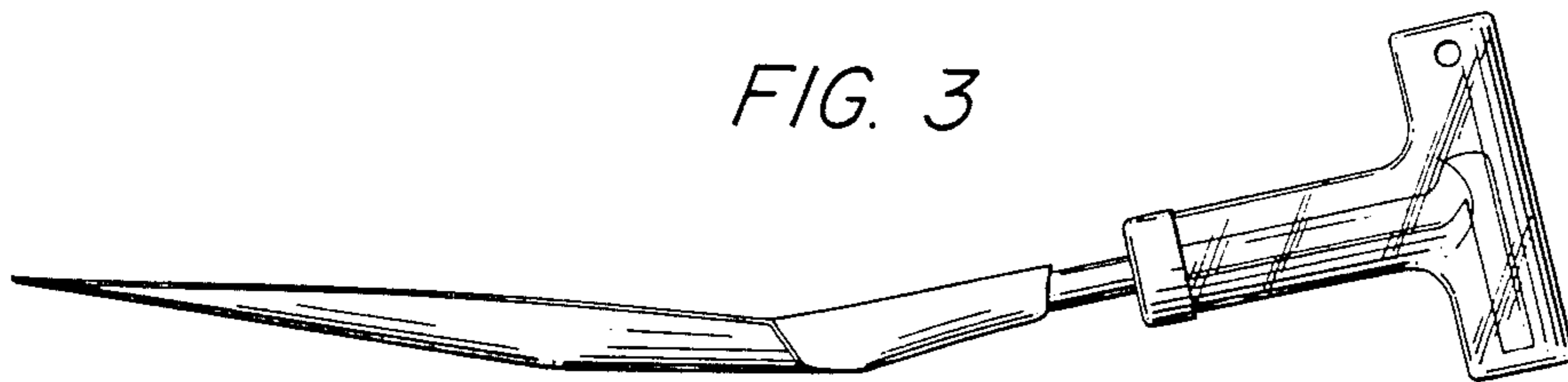


FIG. 4

