

[54] MICROWAVE OVEN  
 [75] Inventor: Bong H. Song, Seoul, Rep. of Korea  
 [73] Assignee: Gold Star Co., Ltd., Seoul, Rep. of Korea  
 [\*\*] Term: 14 Years  
 [21] Appl. No.: 692,012  
 [22] Filed: Jan. 14, 1985  
 [52] U.S. Cl. .... D7/351  
 [58] Field of Search ..... D7/348-349,  
 D7/350, 351; 219/10.55 R, 10.55 B; 126/273 R,  
 275 R, 275 E

D. 280,878 10/1985 Choi ..... D7/351  
 D. 285,162 8/1986 Choi ..... D7/351  
 D. 286,004 10/1986 Mizuma et al. .... D7/351

Primary Examiner—Wallace R. Burke  
 Assistant Examiner—Ruth Takemoto  
 Attorney, Agent, or Firm—Fliesler, Dubb, Meyer &  
 Lovejoy

[57] CLAIM

The ornamental design for a microwave oven, as shown.

DESCRIPTION

FIG. 1 is a front perspective view of a microwave oven showing my new design;  
 FIG. 2 is a top plan view thereof;  
 FIG. 3 is a front elevational view thereof;  
 FIG. 4 is a bottom plan view thereof;  
 FIG. 5 is a rear elevational view thereof; and  
 FIG. 6 is a right side elevational view thereof, the left side being a mirror image.

[56] References Cited  
 U.S. PATENT DOCUMENTS

D. 261,468 10/1981 Takahashi et al. .... D7/351  
 D. 268,080 3/1983 Haruguchi et al. .... D7/351  
 D. 268,082 3/1983 Haruguchi et al. .... D7/351  
 D. 275,641 9/1984 Yamamura et al. .... D7/351

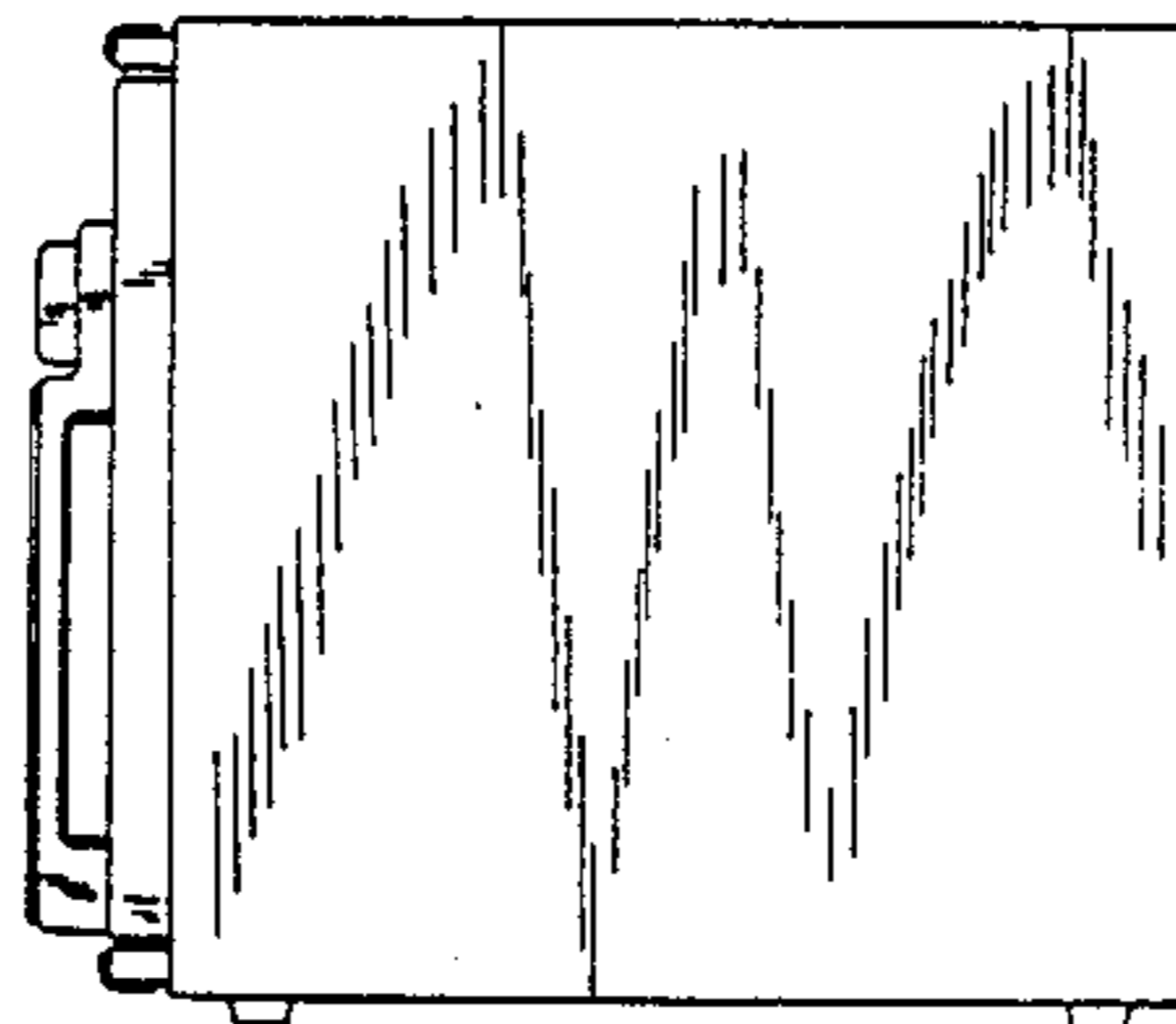
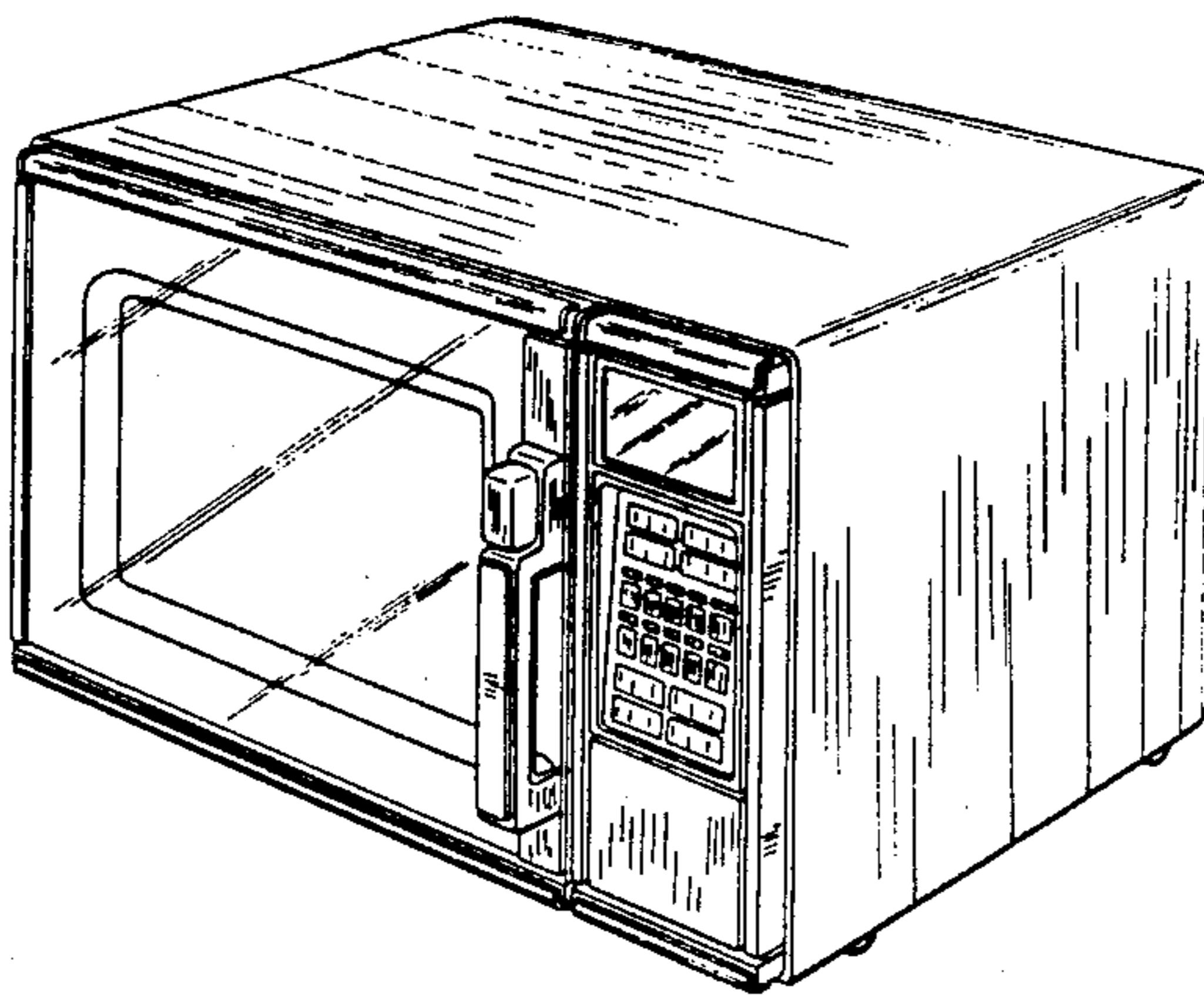


FIG. 1

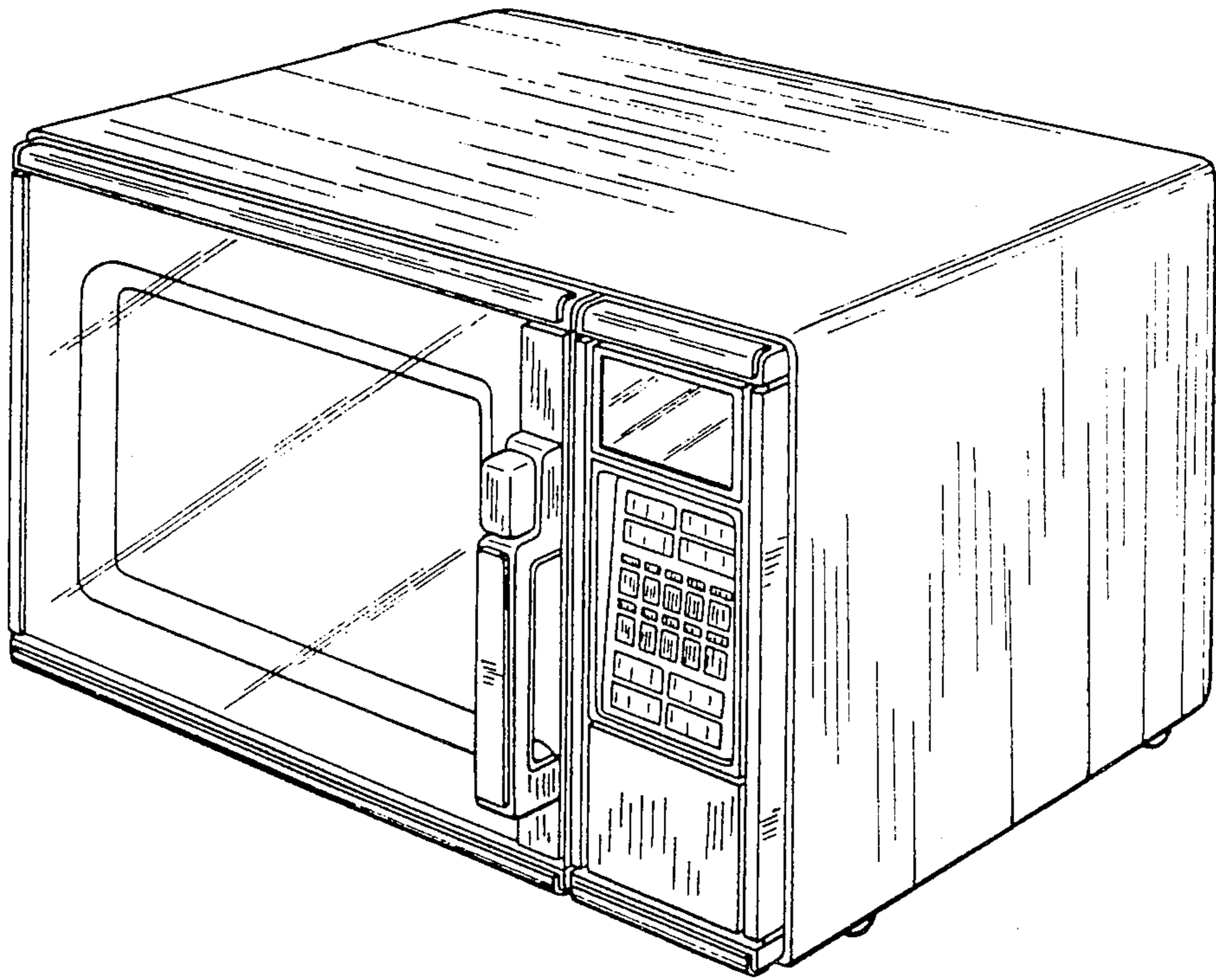


FIG. 2

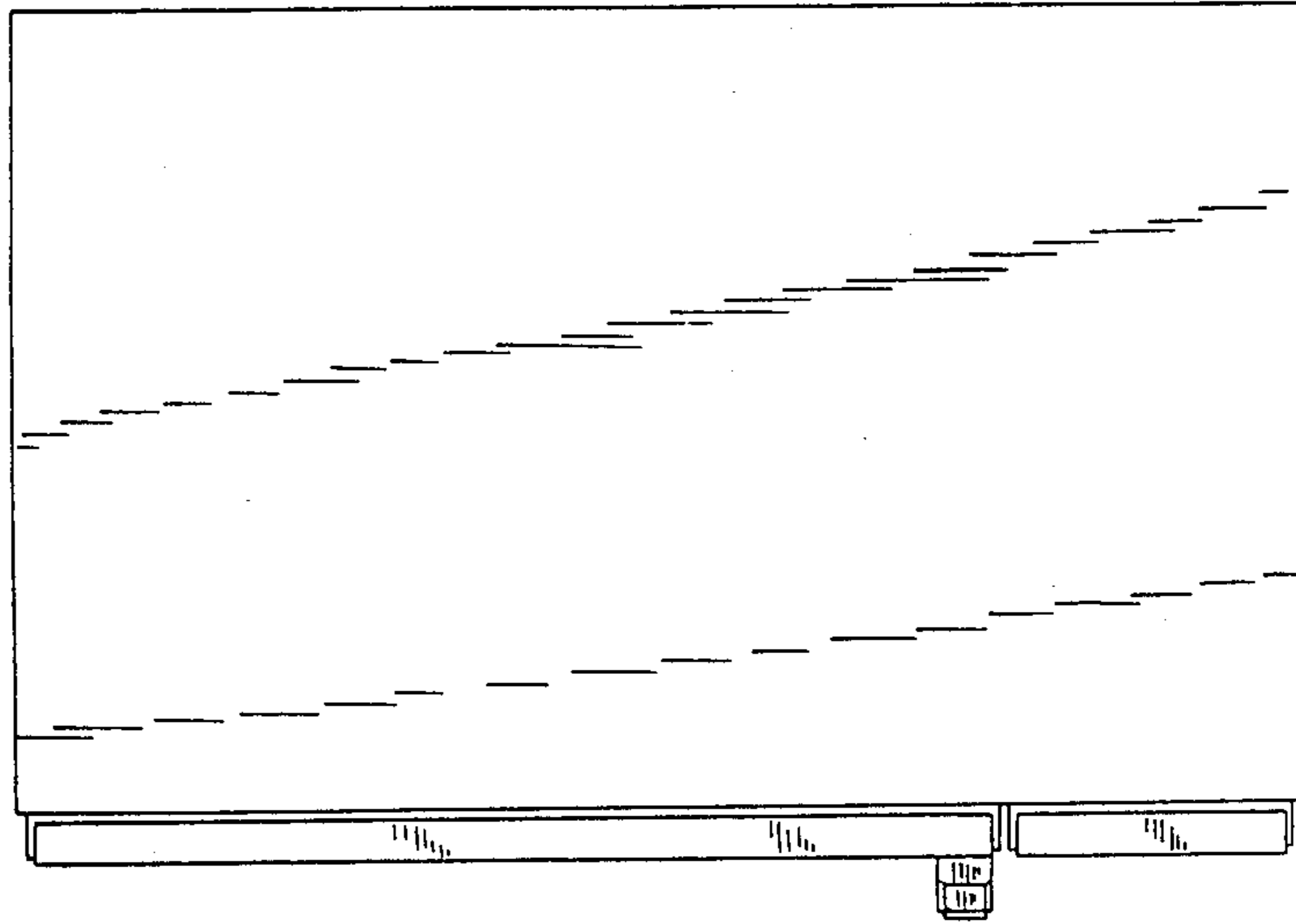


FIG. 3

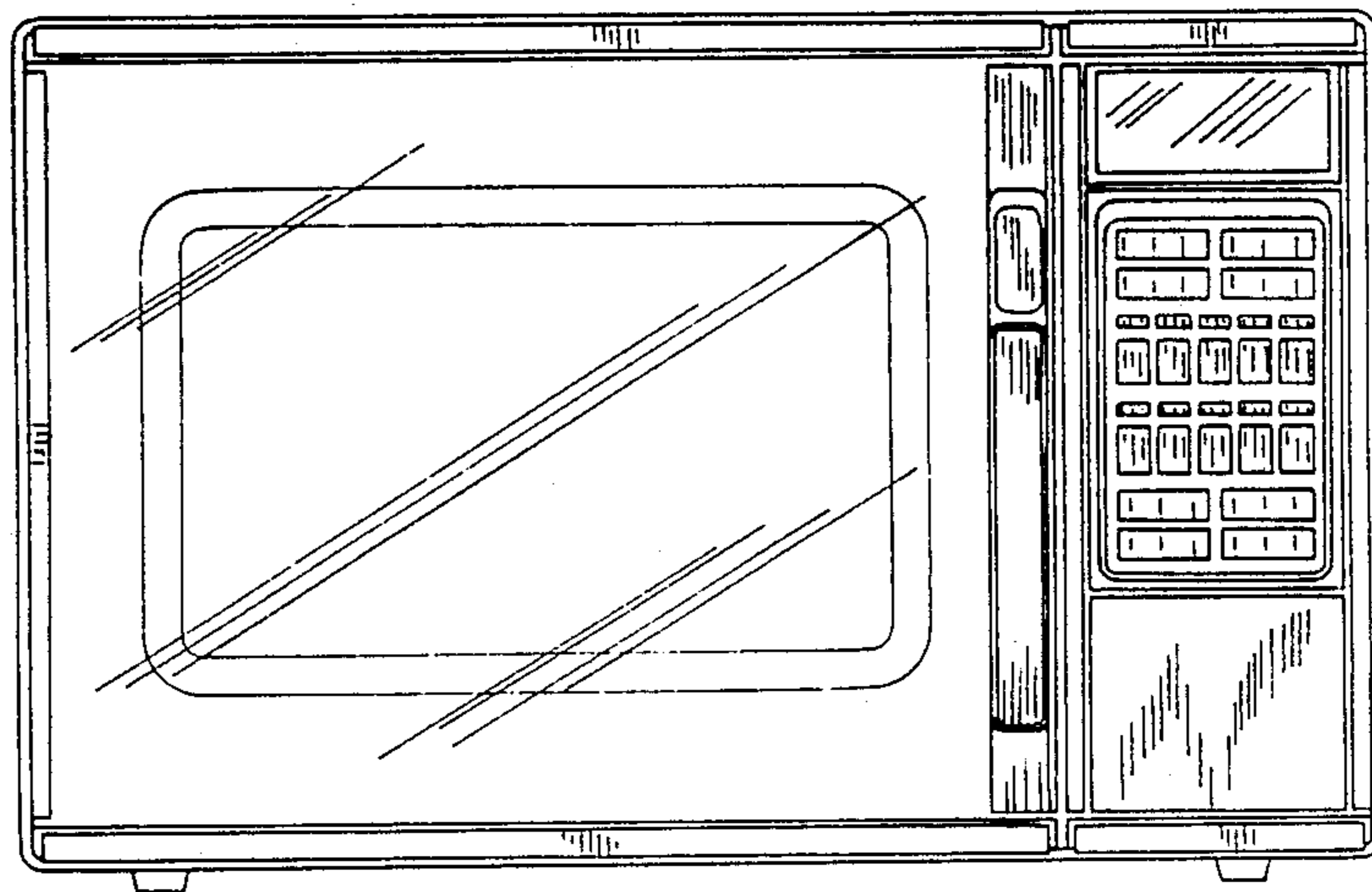


FIG. 4

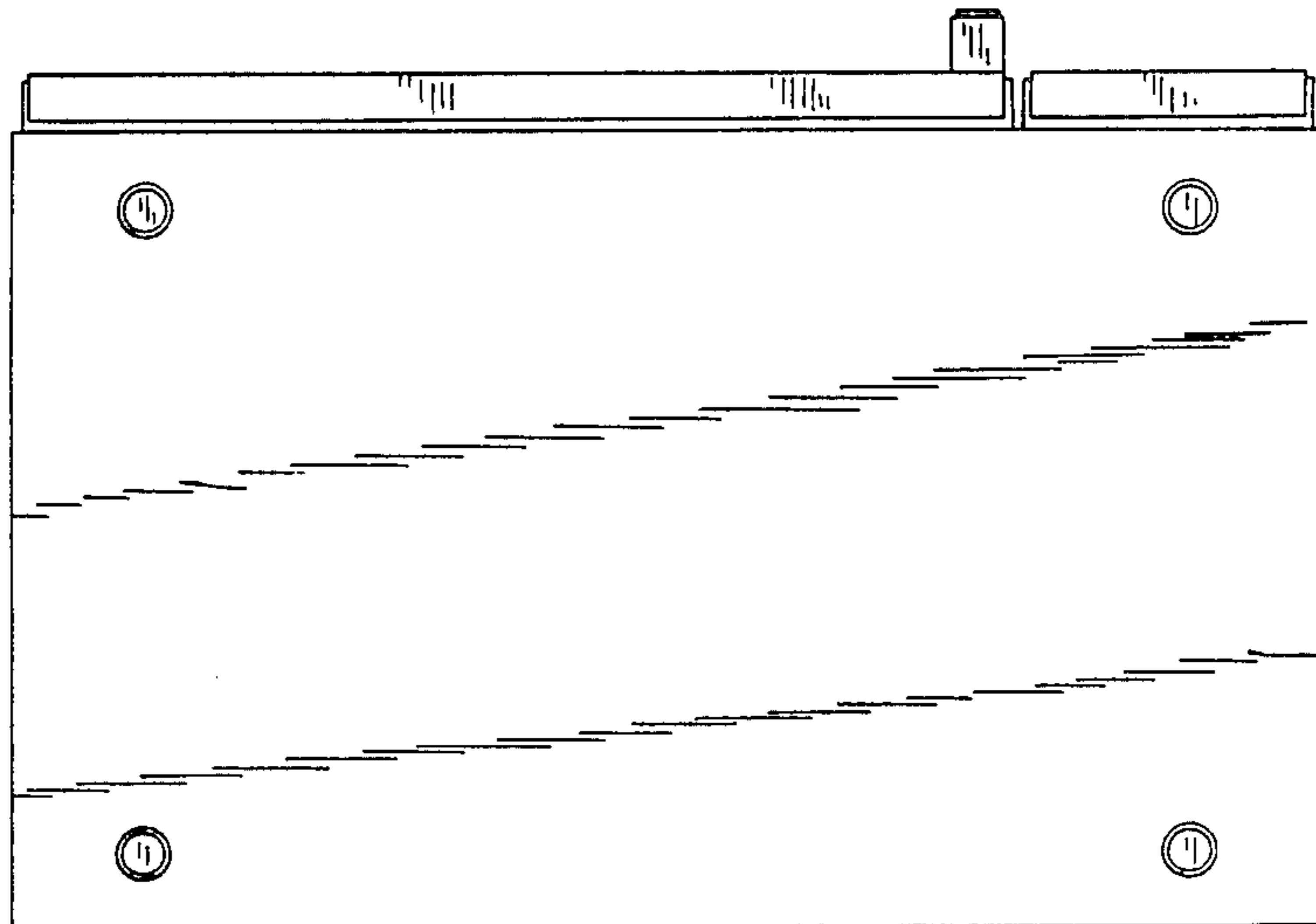


FIG. 5

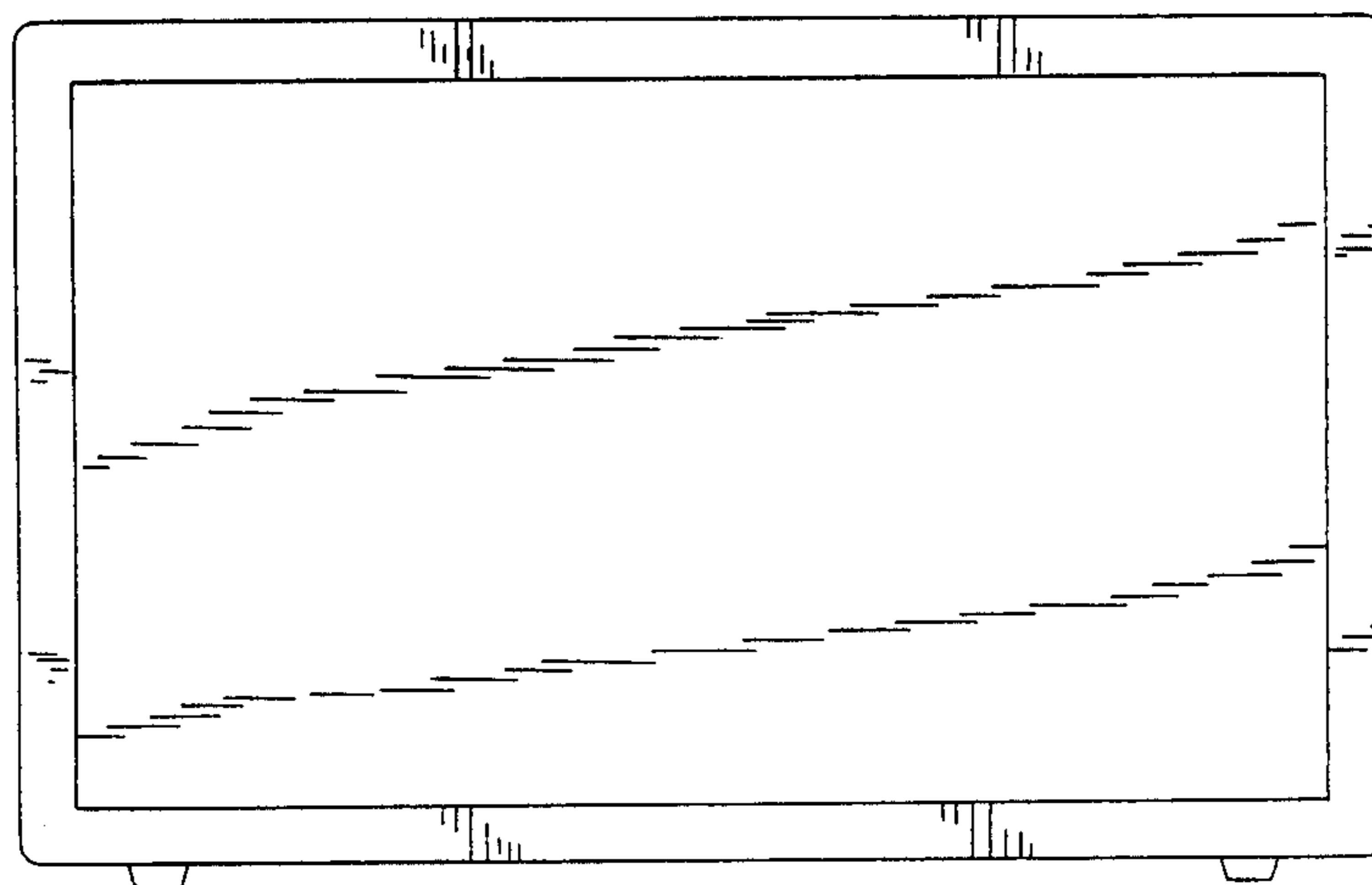


FIG. 6

