

United States Patent [19]

Saxer

[11] Patent Number: **Des. 294,547**

[45] Date of Patent: **** Mar. 8, 1988**

[54] **BED FRAME**

[76] Inventor: **John C. Saxer, 2200 W. Memorial St., Janesville, Wis. 53545**

[**] Term: **14 Years**

[21] Appl. No.: **763,907**

[22] Filed: **Aug. 8, 1985**

[52] U.S. Cl. **D6/503; D6/389**

[58] Field of Search **D6/382, 383, 389, 503; 5/113, 121, 131, 163, 413, 414; 135/5.1-5.3, 116**

[56] **References Cited**

U.S. PATENT DOCUMENTS

- D. 228,269 9/1973 Berkel D6/382
- D. 246,556 12/1977 Parsons D6/389
- D. 250,687 1/1979 Robelen D6/389 X
- D. 256,526 8/1980 Johnson D6/389

- D. 279,944 8/1985 McLaren et al. D6/383 X
- D. 285,880 9/1986 Griesenbeck D6/389 X

Primary Examiner—Bruce W. Dunkins
Attorney, Agent, or Firm—Isaksen, Lathrop, Esch, Hart & Clark

[57] CLAIM

The ornamental design for a bed frame, as shown and described.

DESCRIPTION

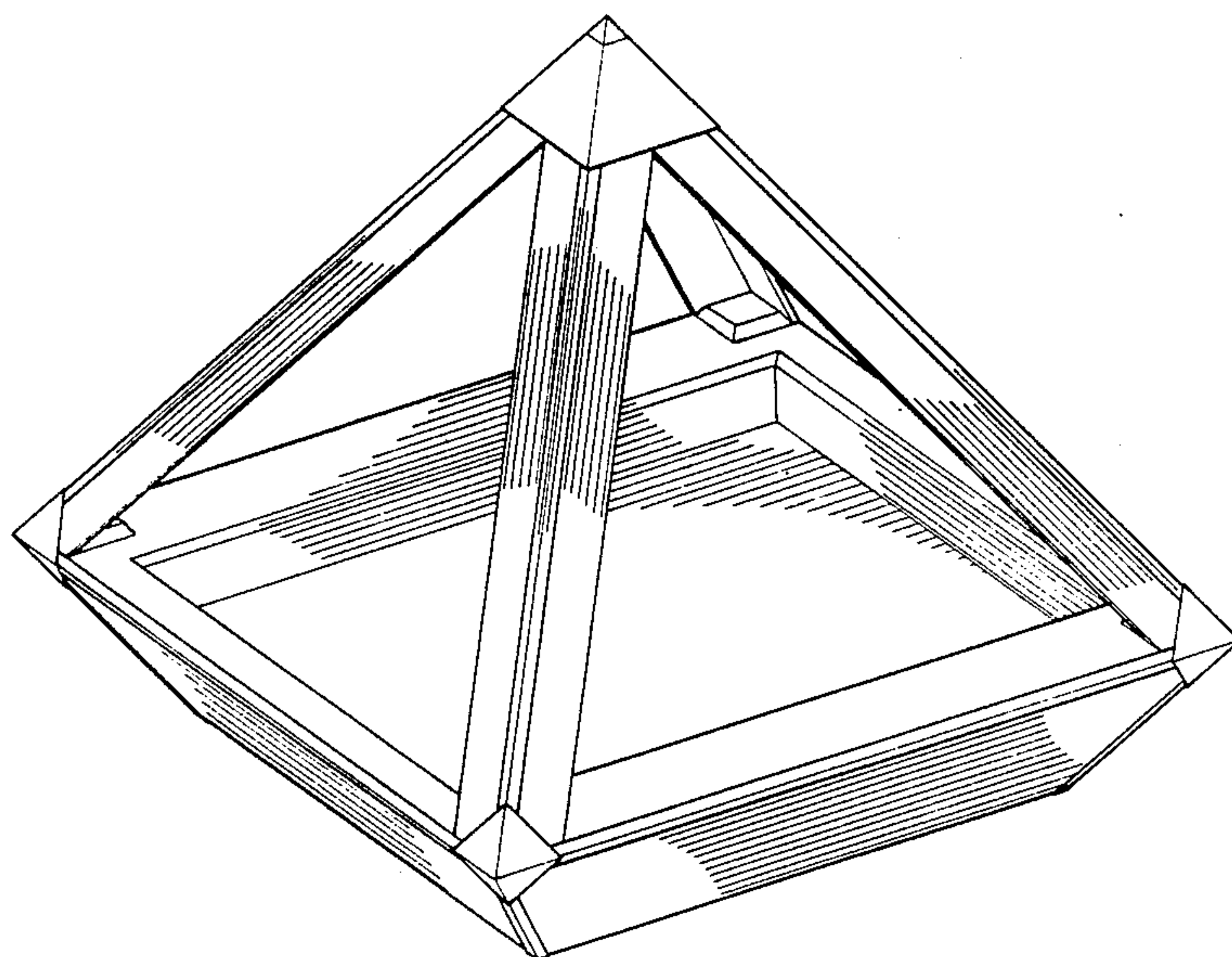
FIG. 1 is a perspective view of a bed frame showing my new design.

FIG. 2 is a front elevation view thereof, the view from the rear being identical.

FIG. 3 is a left side elevation view thereof, the view from the right side being identical.

FIG. 4 is a top view thereof.

FIG. 5 is a bottom view thereof.



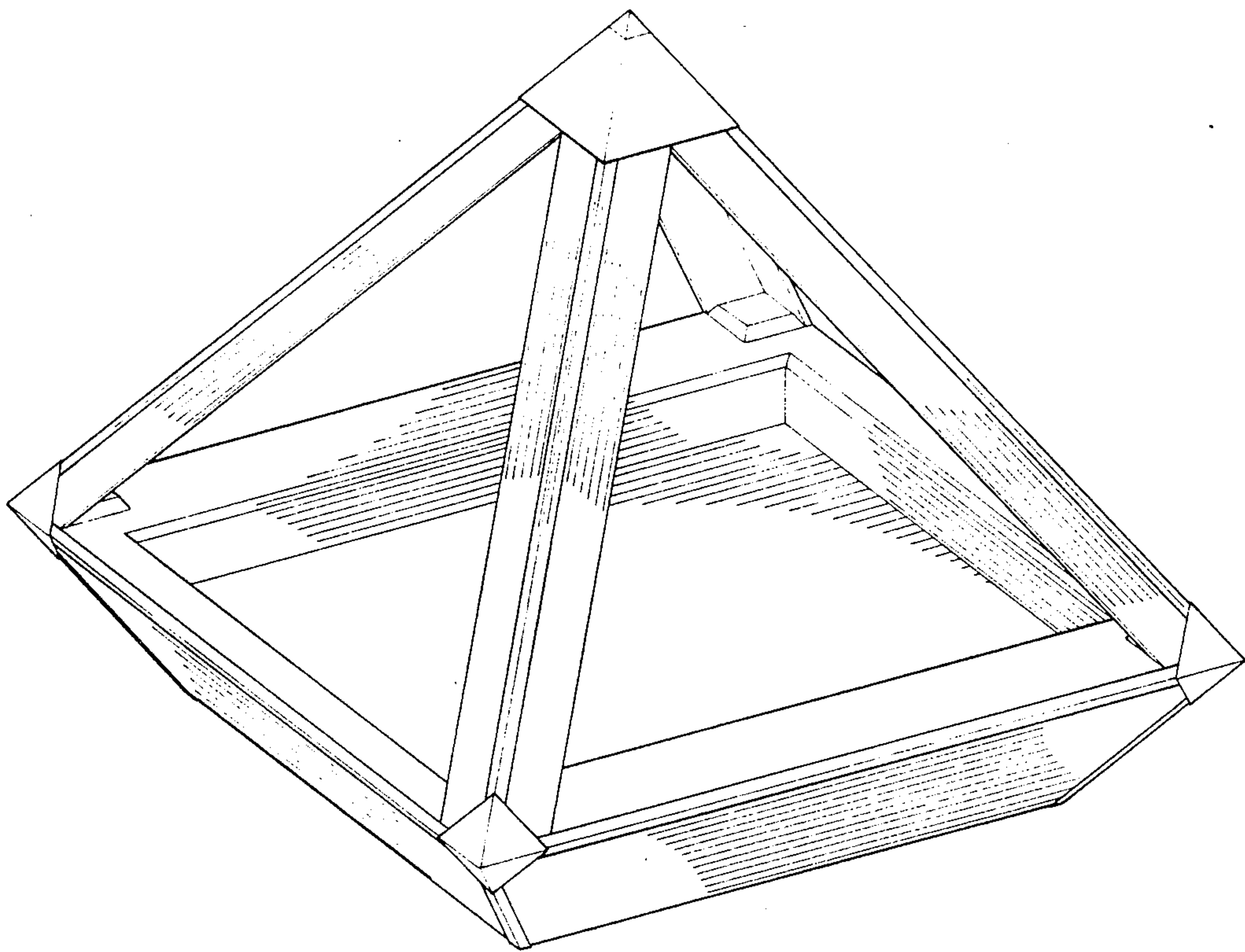


FIG. 1

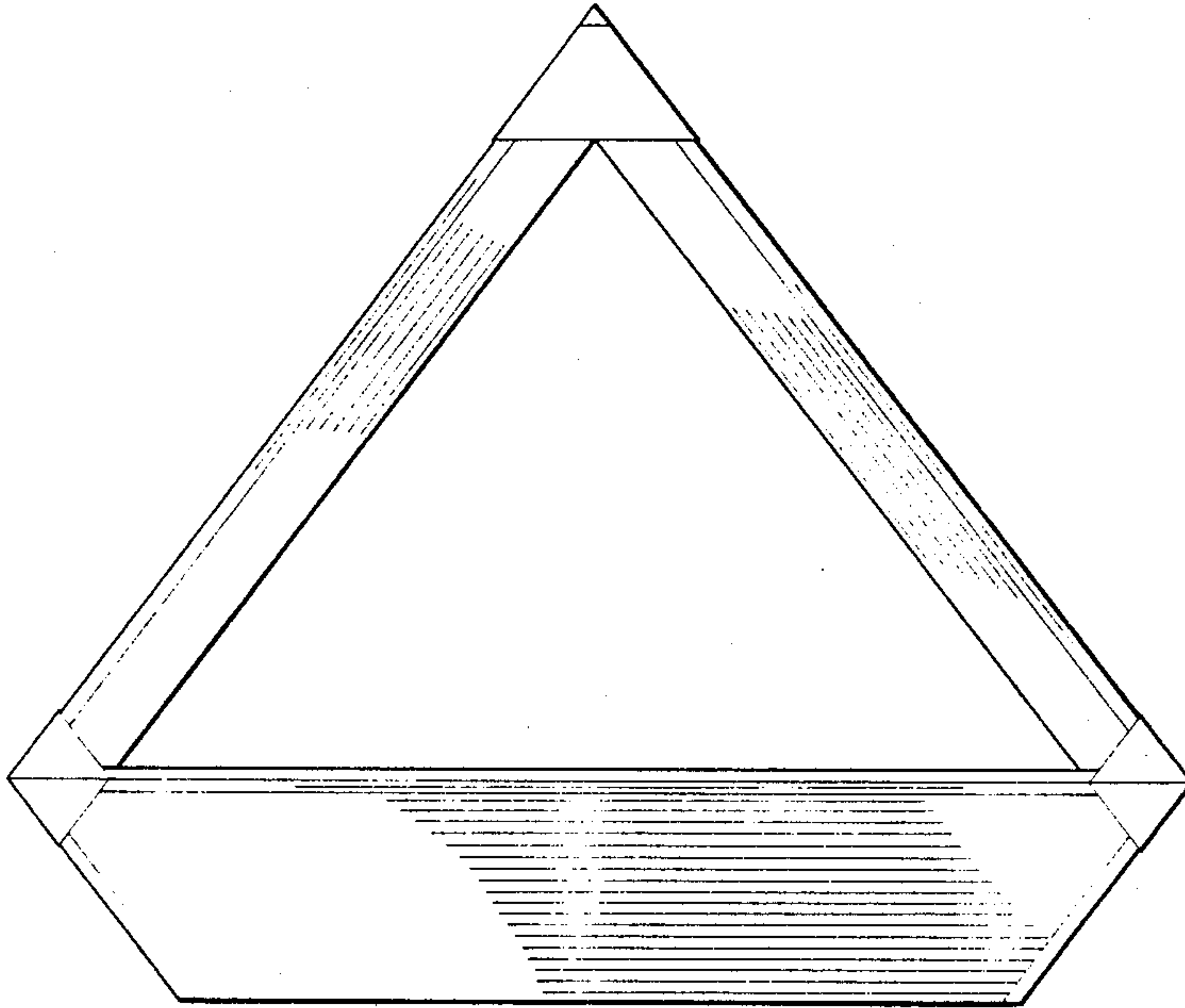


FIG. 2

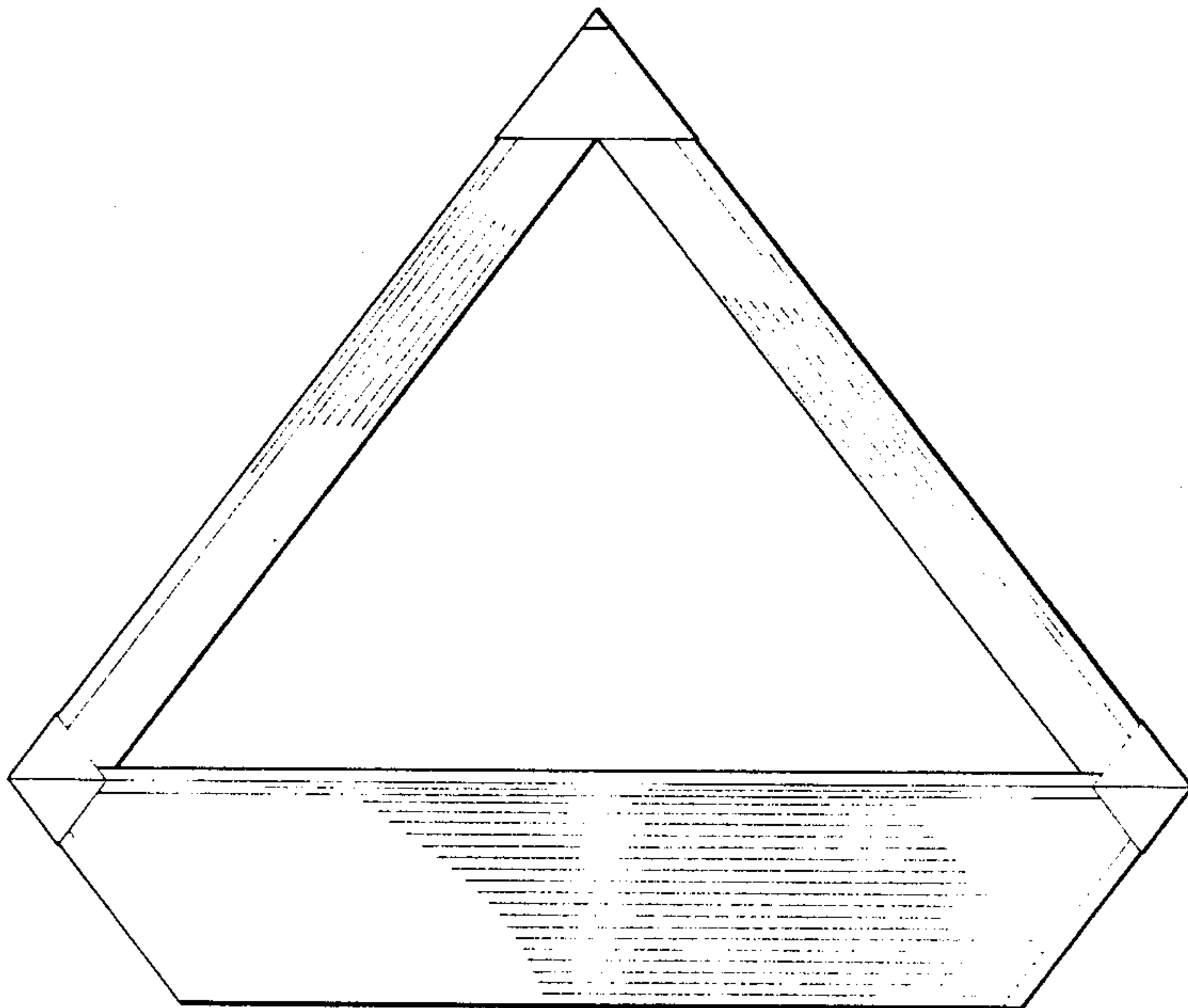


FIG. 3

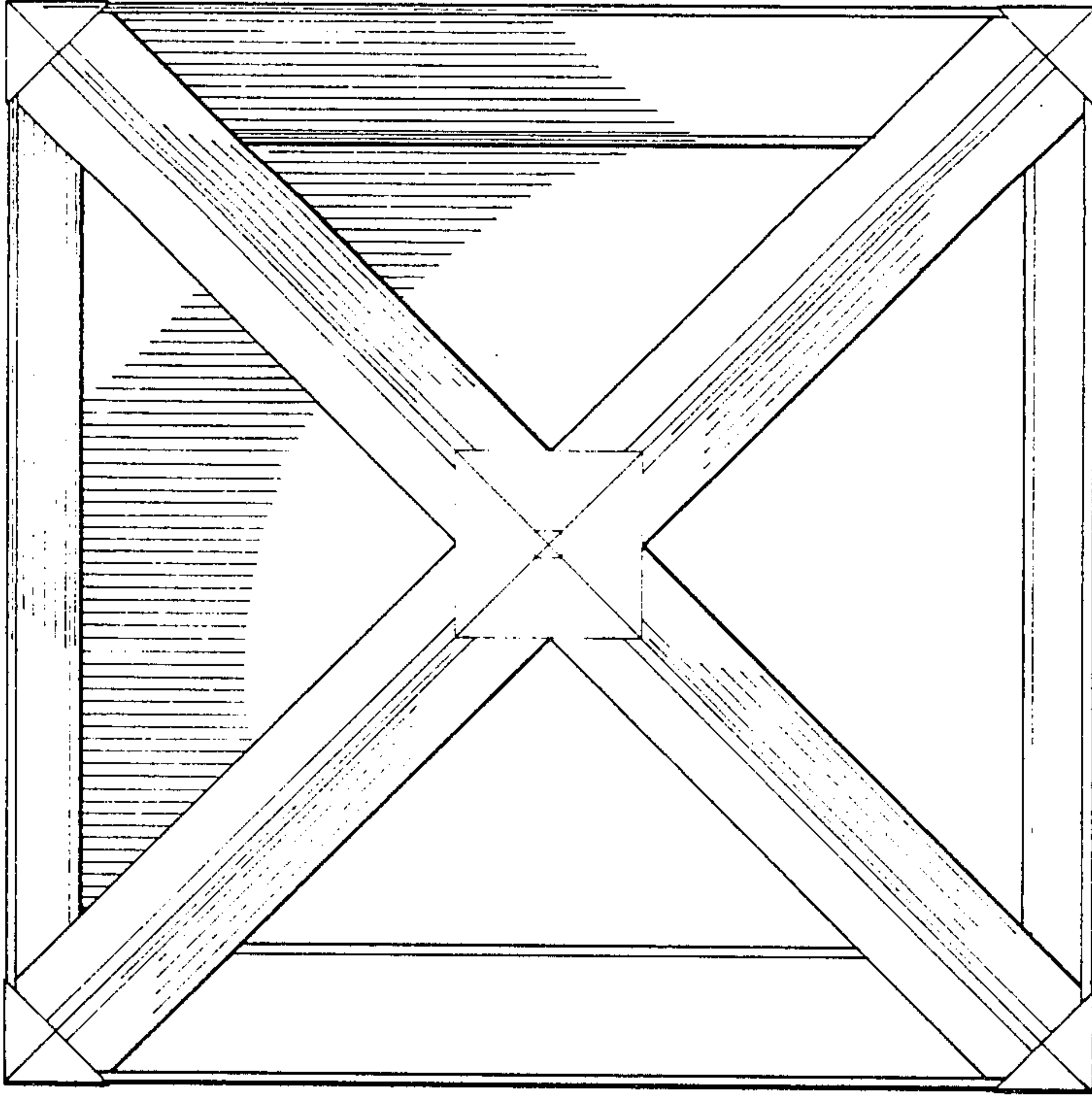


FIG. 4

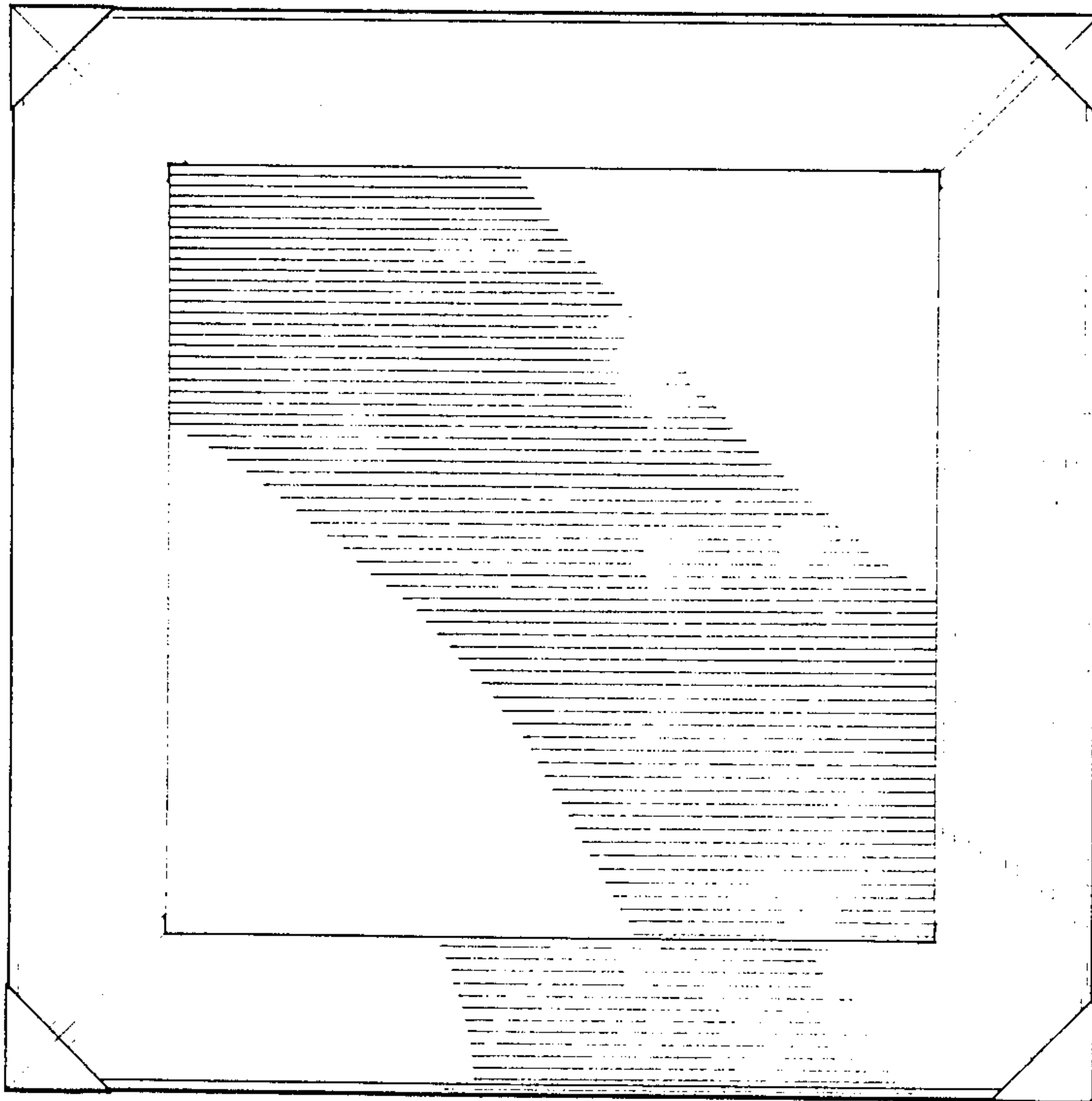


FIG. 5