

[54] SHIN CUSHION AND SUPPORT UNIT FOR A COMBINED SEAT AND KNEELER

[76] Inventor: Peter Opsvik, Høgtunvn. 12, 1370 Asker, Norway

[**] Term: 14 Years

[21] Appl. No.: 763,353

[22] Filed: Aug. 7, 1985

[30] Foreign Application Priority Data

Feb. 18, 1985 [NO] Norway 65996

[52] U.S. Cl. D6/500; D6/330; D6/335

[58] Field of Search D6/330, 334, 335, 340, D6/348, 367; 292/243, 258, 271, 427, 429, 430, 431, 445, 446

[56] References Cited

U.S. PATENT DOCUMENTS

- D. 195,457 6/1963 Ingram et al. D6/340
- D. 265,441 7/1982 Menashe D6/340
- D. 277,722 2/1985 Gusrud D6/340
- D. 283,858 5/1986 Opsvik D6/335 X
- D. 291,155 8/1987 Wertheimer D6/335

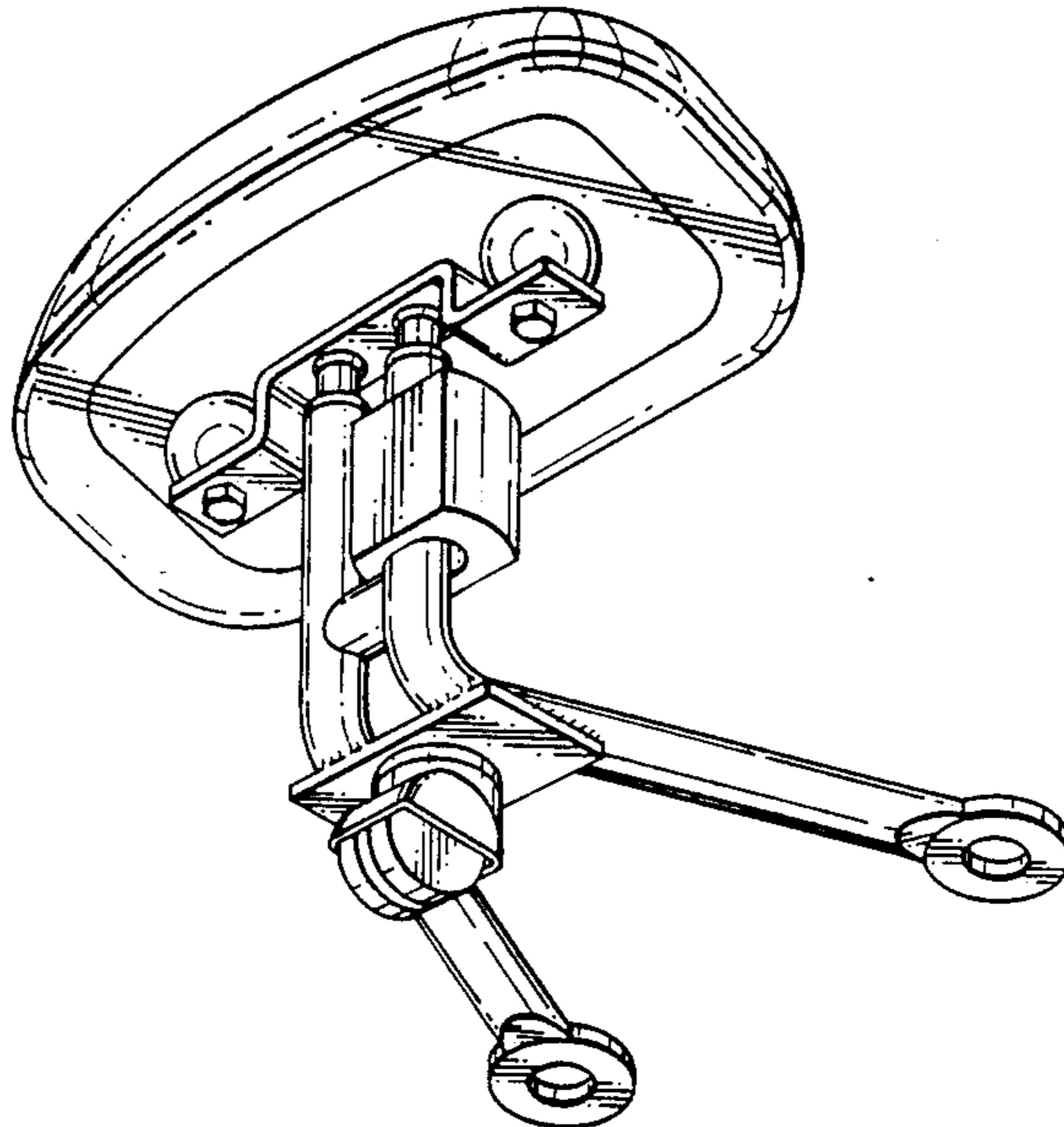
Primary Examiner—Bruce W. Dunkins
Attorney, Agent, or Firm—Darby & Darby

[57] CLAIM

The ornamental design for a shin cushion and support unit for a combined seat and kneeler, as shown and described.

DESCRIPTION

FIG. 1 is a front perspective view of a shin cushion and support unit for a combined seat and kneeler taken from below and showing my design;
FIG. 2 is a side elevational view taken from the left in FIG. 1;
FIG. 3 is a rear elevational view; and,
FIG. 4 is a top plan view thereof.



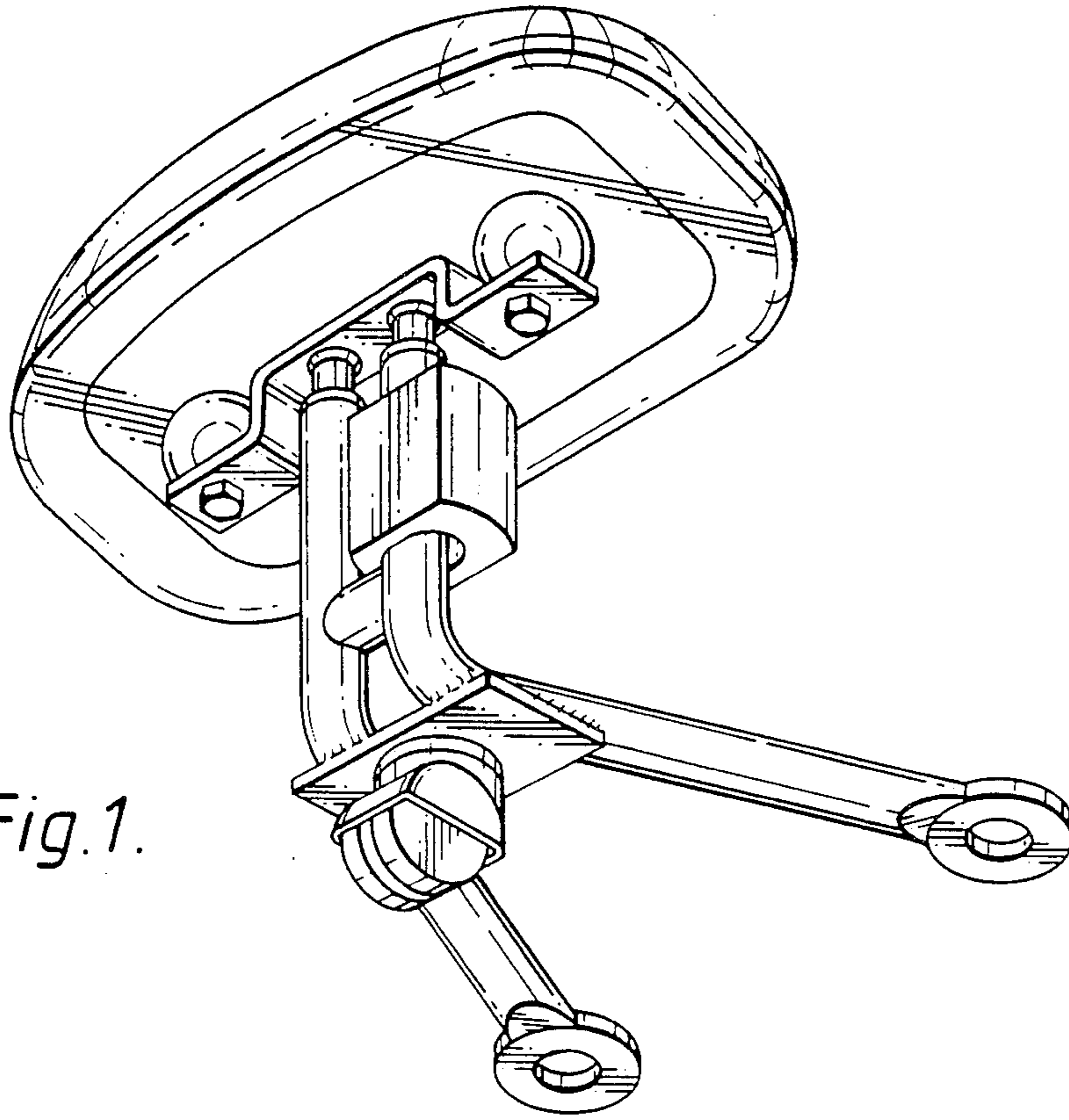


Fig. 1.

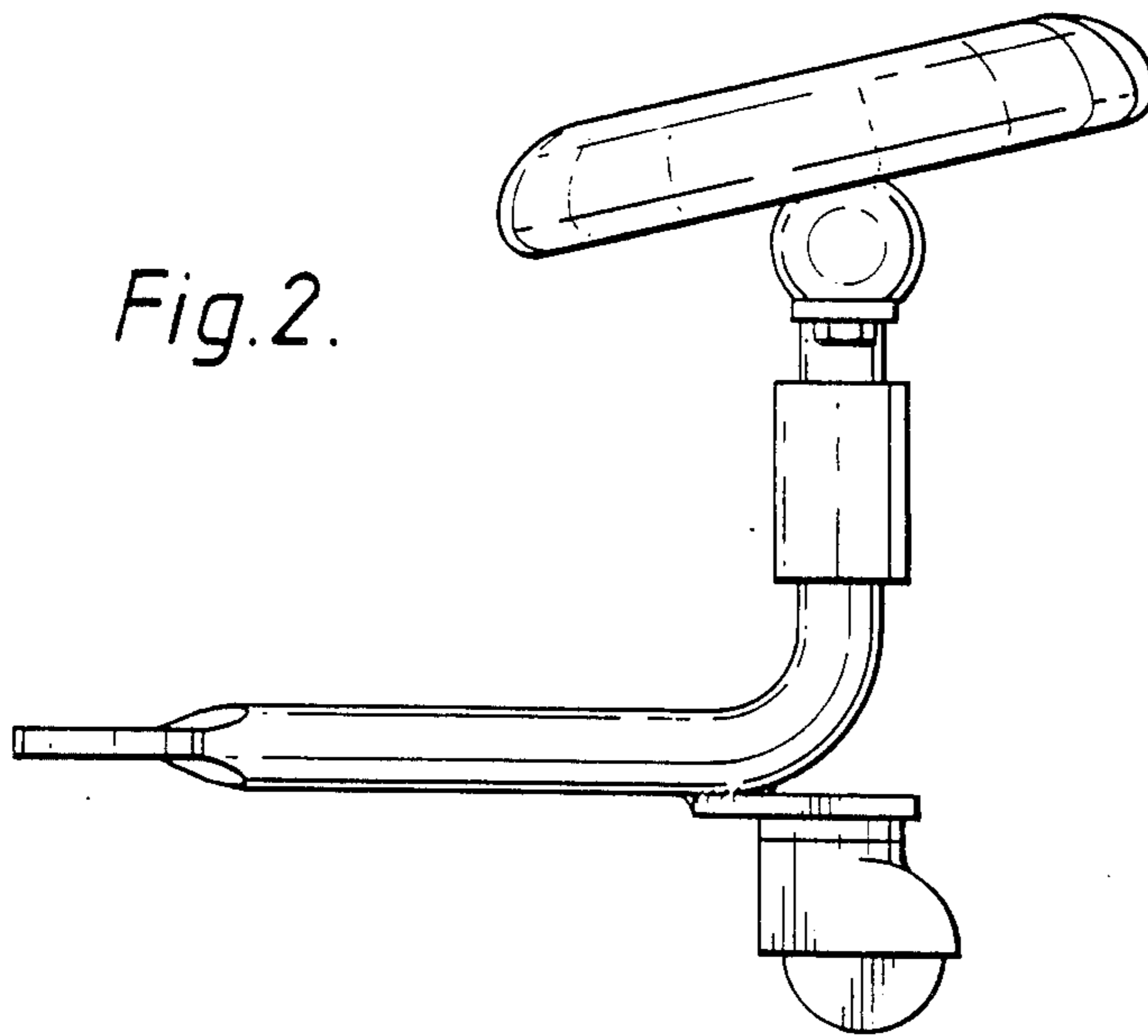


Fig. 2.

