

[54] SEAT CUSHION AND SUPPORT UNIT FOR A COMBINED SEAT AND KNEELER

[56] References Cited

U.S. PATENT DOCUMENTS

- D. 195,457 6/1963 Ingram et al. .... D6/340
- D. 265,441 7/1982 Menashe ..... D6/340
- D. 277,722 2/1985 Gusrud ..... D6/340
- D. 283,858 5/1986 Opsvik ..... D6/335 X
- D. 291,155 8/1987 Wertheimer ..... D6/335

[76] Inventor: Peter Opsvik, Högstunvn. 12, 137o Asker, Norway

Primary Examiner—Bruce W. Dunkins  
Attorney, Agent, or Firm—Darby & Darby

[\*\*] Term: 14 Years

[57] CLAIM

[21] Appl. No.: 763,354

The ornamental design for a seat cushion and support unit for a combined seat and kneeler, as shown and described.

[22] Filed: Aug. 7, 1985

DESCRIPTION

[30] Foreign Application Priority Data

Feb. 18, 1985 [NO] Norway ..... 65999

[52] U.S. Cl. .... D6/500; D6/330; D6/335

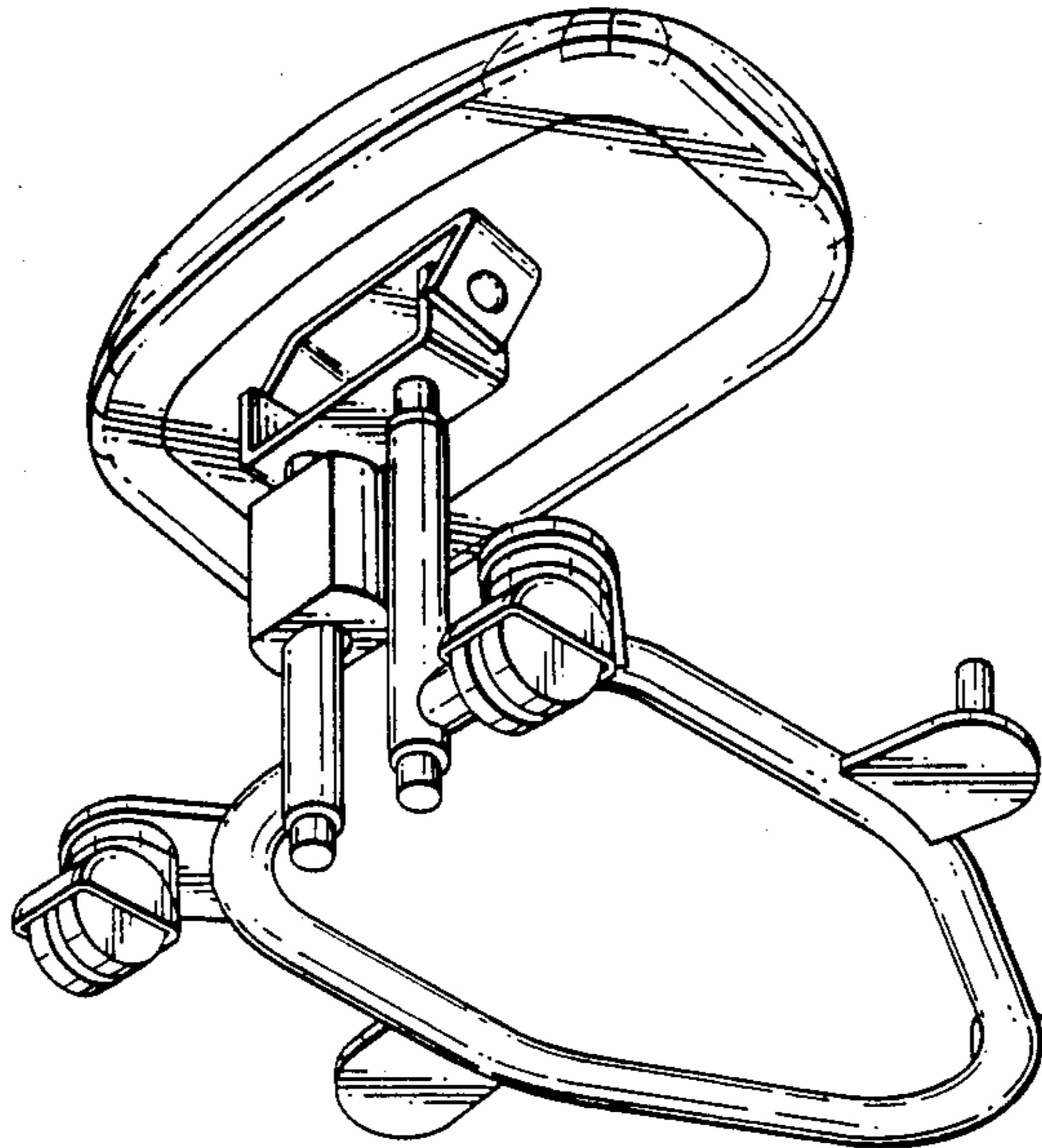
[58] Field of Search ..... D6/330, 334, 335, 340, D6/348, 367; 297/243, 258, 271, 427, 429, 430, 431, 445, 446

FIG. 1 is a front perspective view of a seat cushion and support unit for a combined seat and kneeler taken from below and showing my design;

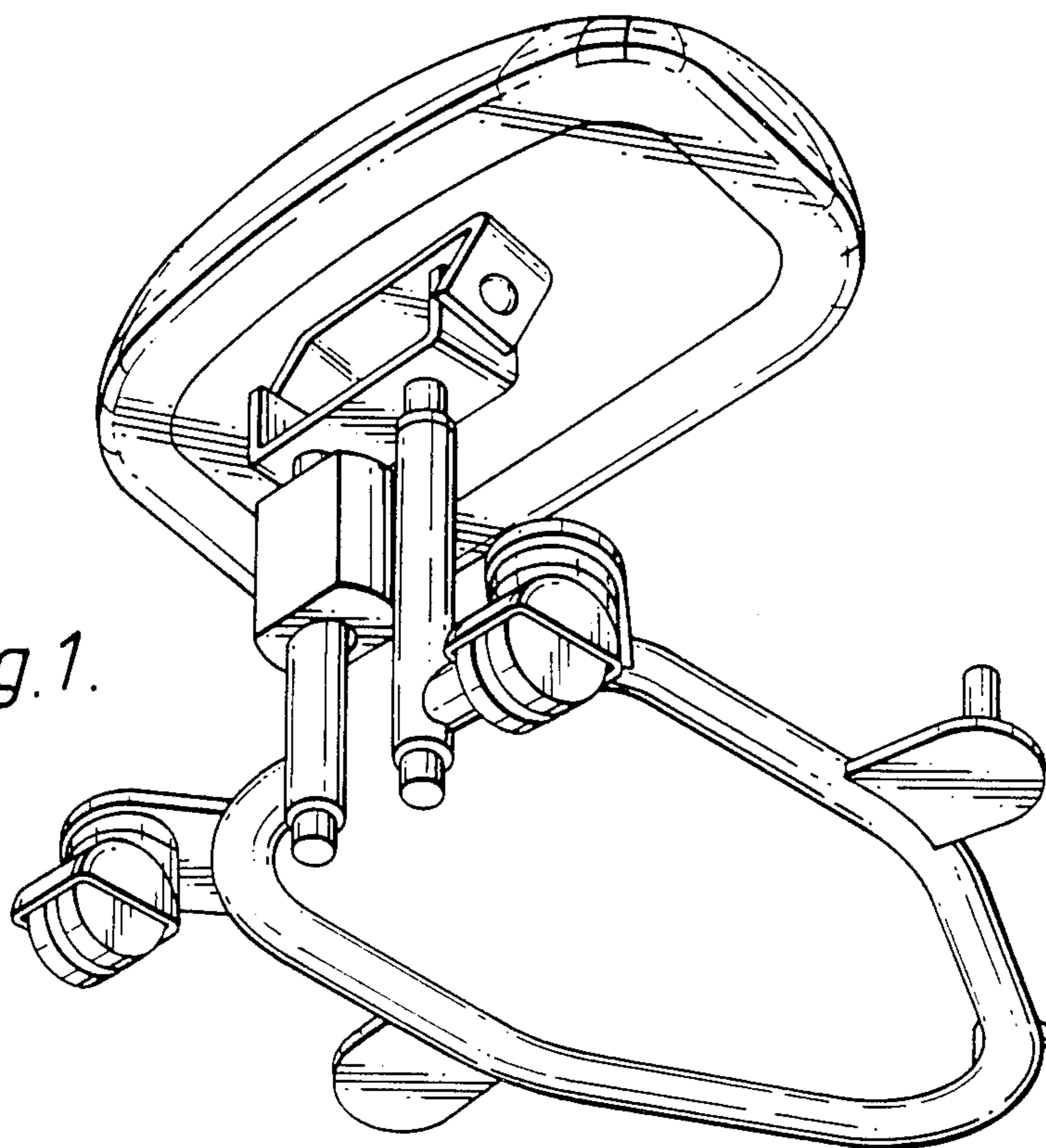
FIG. 2 is a side elevational view taken from the left in FIG. 1;

FIG. 3 is a rear elevational view; and,

FIG. 4 is a top plan view thereof.



*Fig. 1.*



*Fig. 2.*

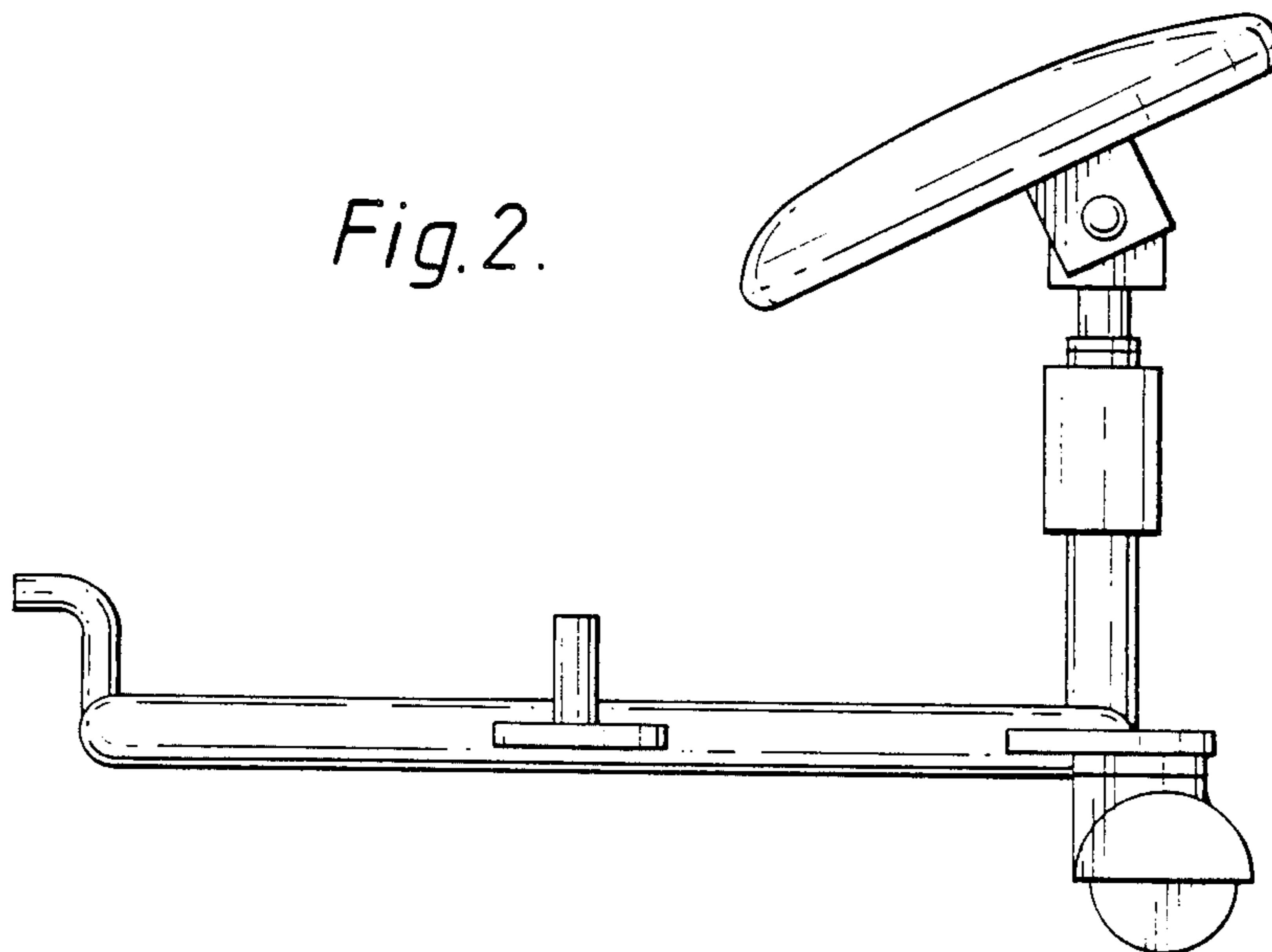


Fig.3.

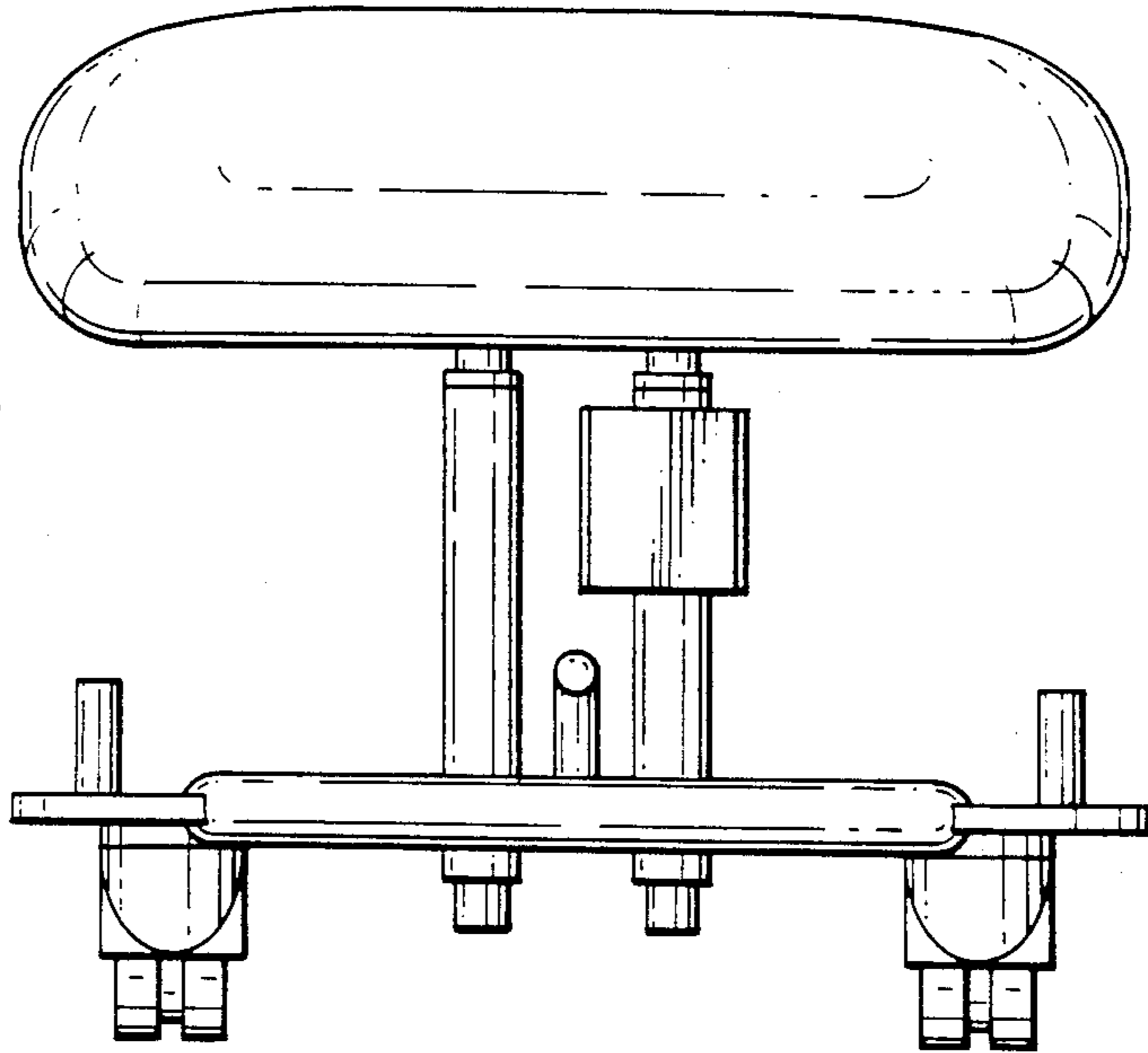


Fig.4.

