

[54] **DESK**

[75] **Inventor: Gordon Kyle, Moosup, Conn.**

[73] **Assignee: Helikon Furniture Company, Inc.,
Taftville, Conn.**

[**] **Term: 14 Years**

[21] **Appl. No.: 750,036**

[22] **Filed: Jun. 28, 1985**

[52] **U.S. Cl. D6/428**

[58] **Field of Search D6/422, 423, 425, 426,
D6/427, 428; 312/194, 195, 196**

[56] **References Cited**

U.S. PATENT DOCUMENTS

| | | | | |
|------------|--------|-------------|-------|--------|
| D. 86,951 | 5/1932 | Ericson | | D6/428 |
| D. 113,140 | 1/1939 | Haag | | D6/428 |
| D. 167,248 | 7/1952 | Becker | | D6/422 |
| D. 251,581 | 4/1979 | Breidenbach | | D6/428 |

D. 260,834 9/1981 Platner D6/422

OTHER PUBLICATIONS

"The Sherwood Group" by Stow & Davis, p. 2; Desk #5572F.

Primary Examiner—Carmen H. Vales
Attorney, Agent, or Firm—Darby & Darby

[57] **CLAIM**

The ornamental design for a desk, as shown and described.

DESCRIPTION

FIG. 1 is a perspective view of a desk showing my new design;

FIG. 2 is a top plan view thereof;

FIG. 3 is a front elevational view thereof;

FIG. 4 is a rear elevational view thereof;

FIG. 5 is a right side elevational view, the left side view being the same; and

FIG. 6 is a bottom plan view thereof.

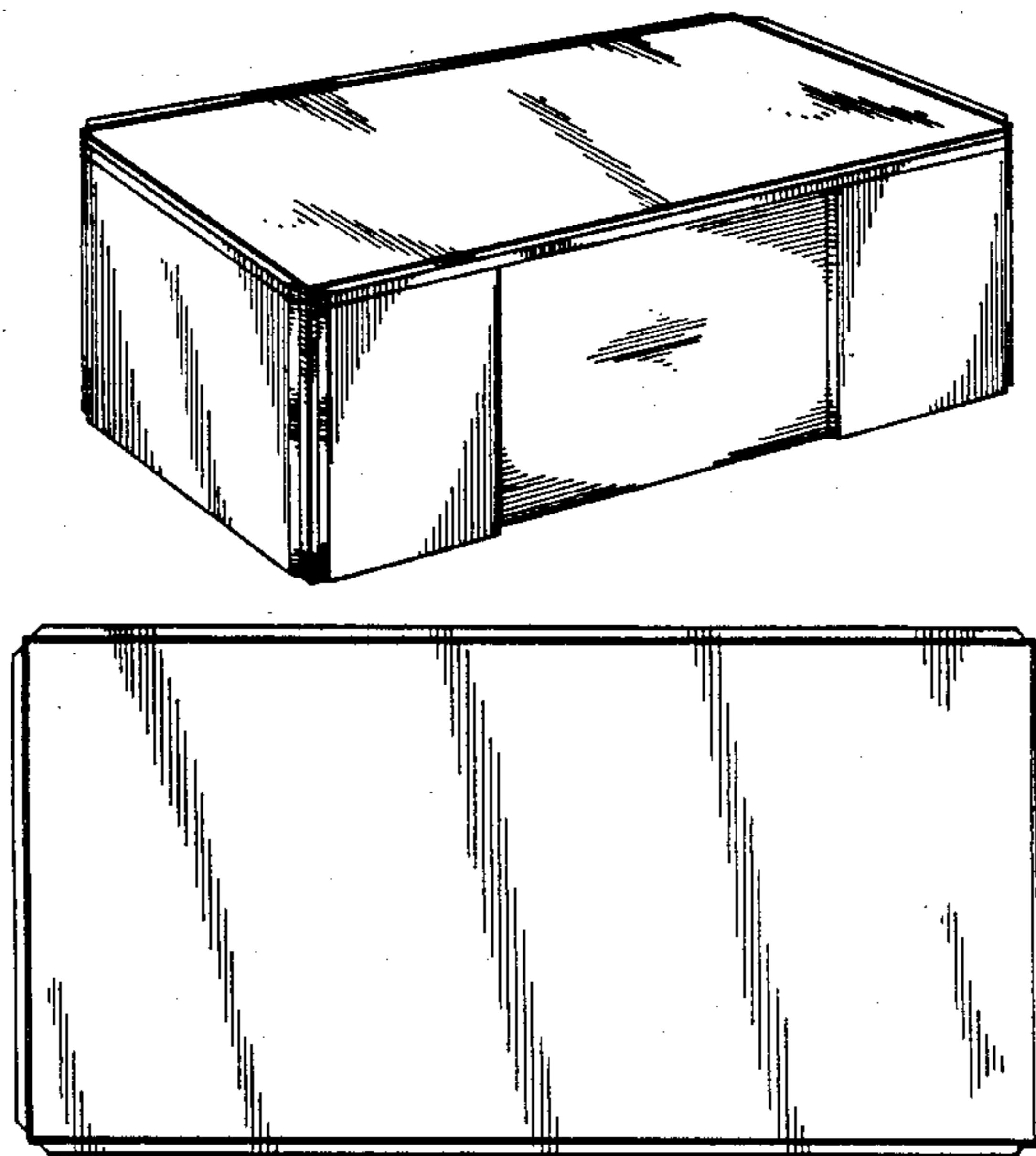


FIG. 1

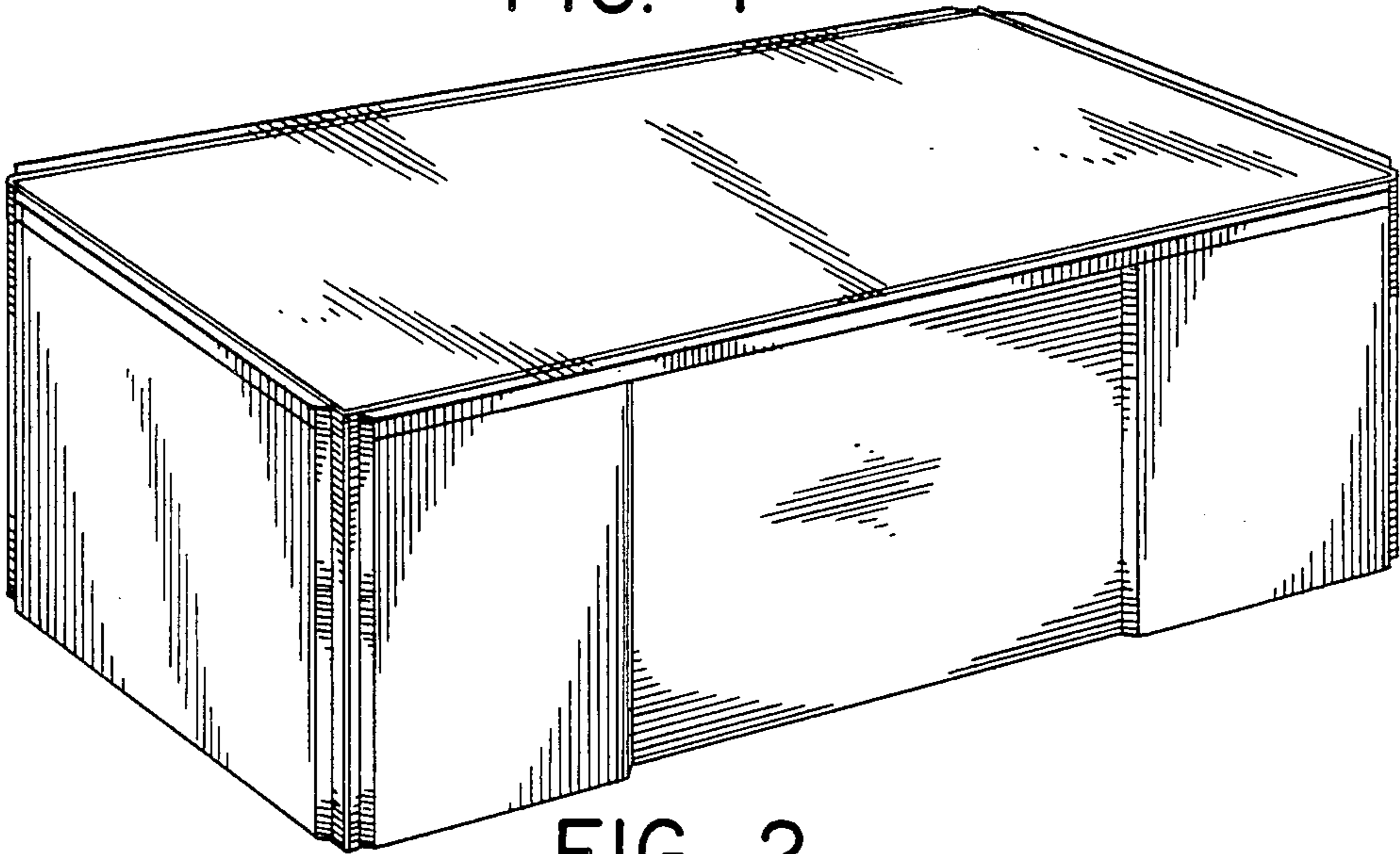


FIG. 2

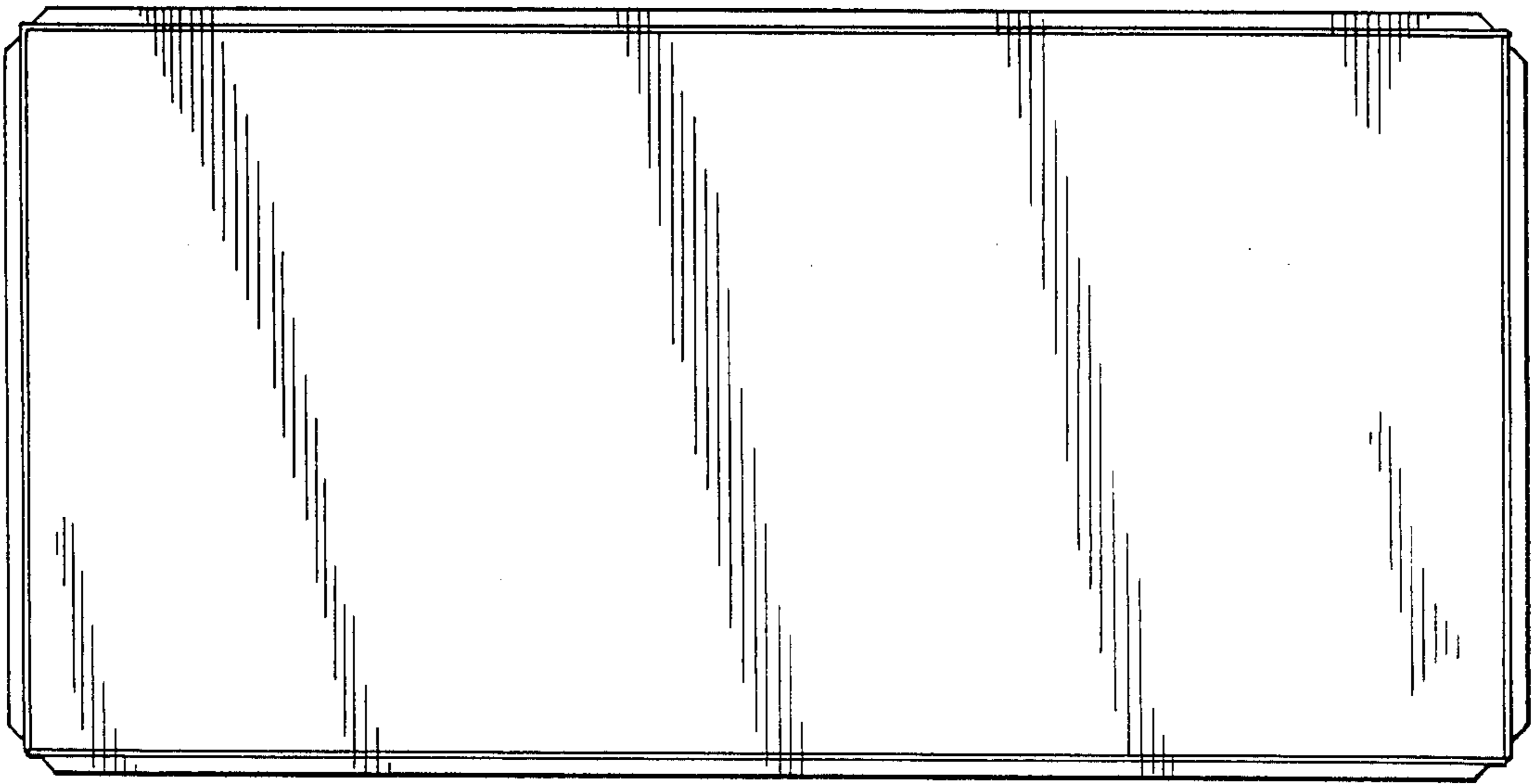


FIG. 3

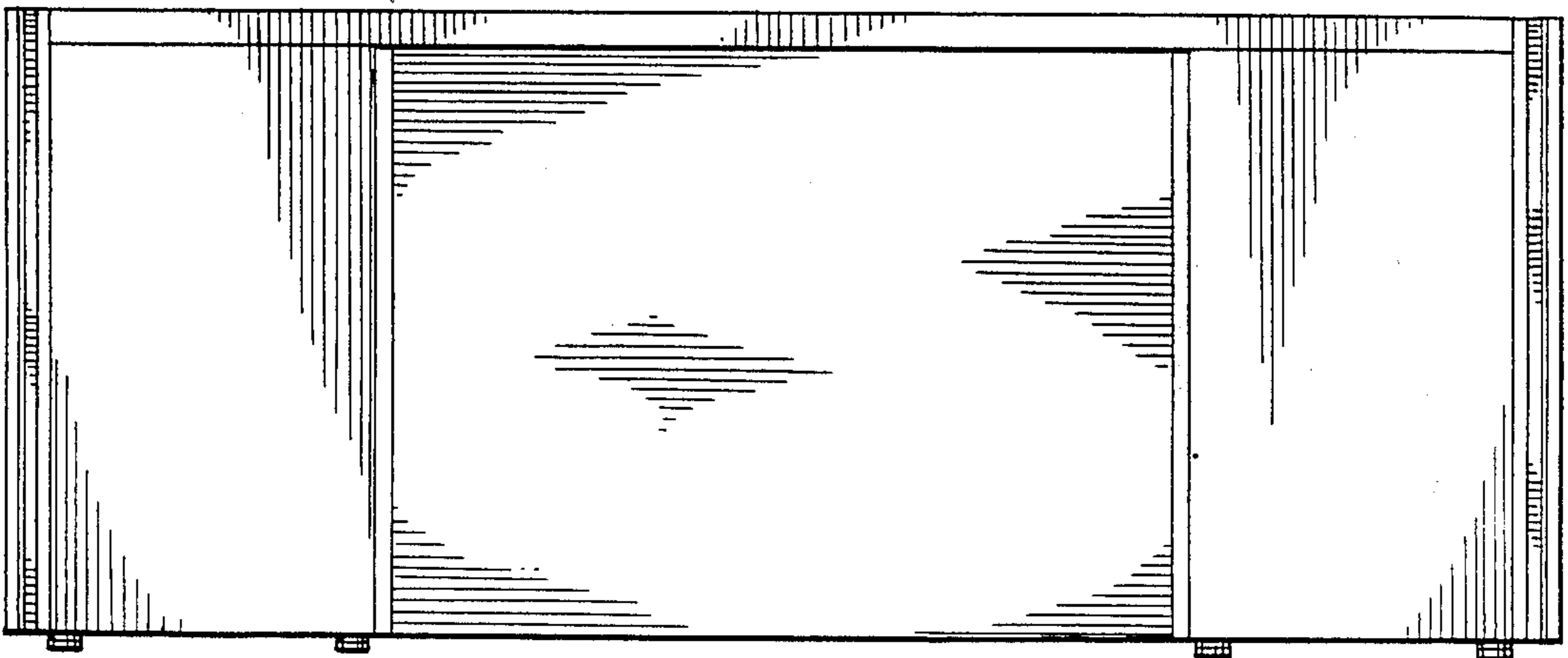


FIG. 4

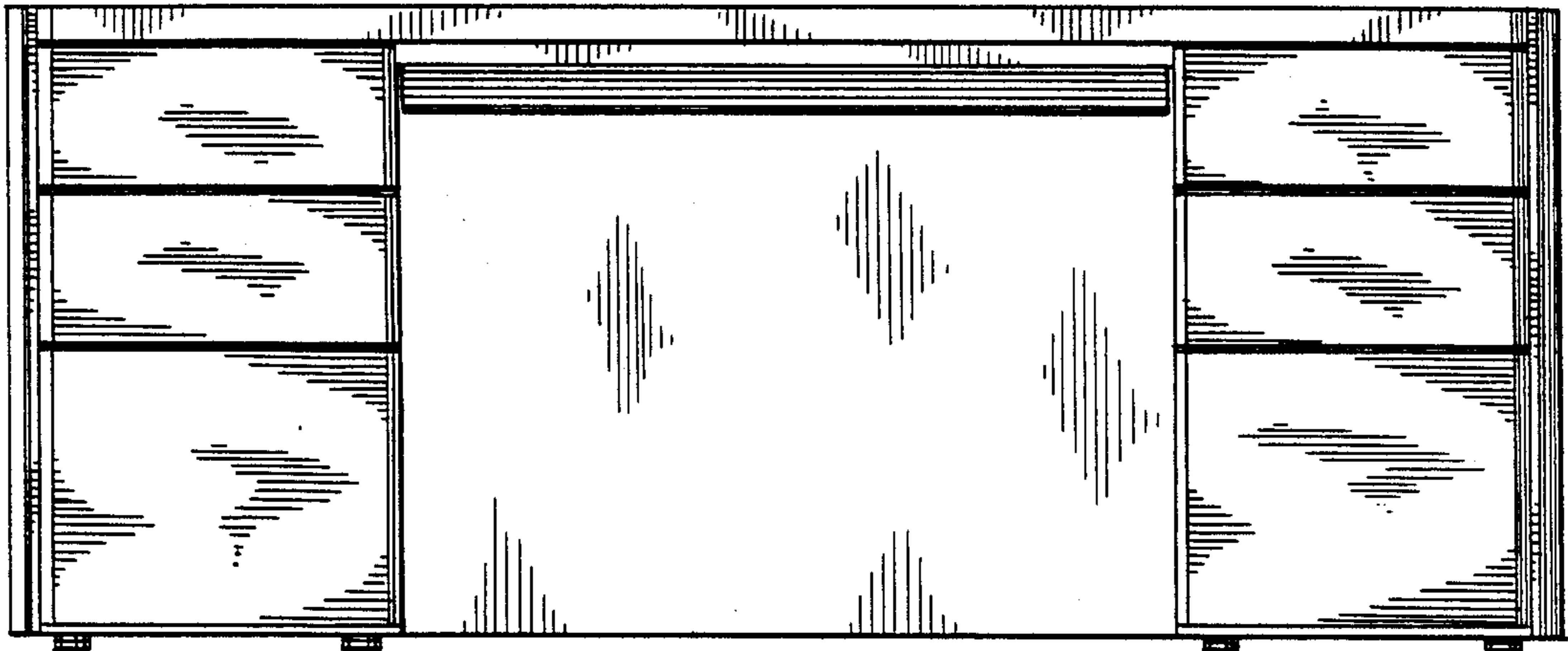


FIG. 5

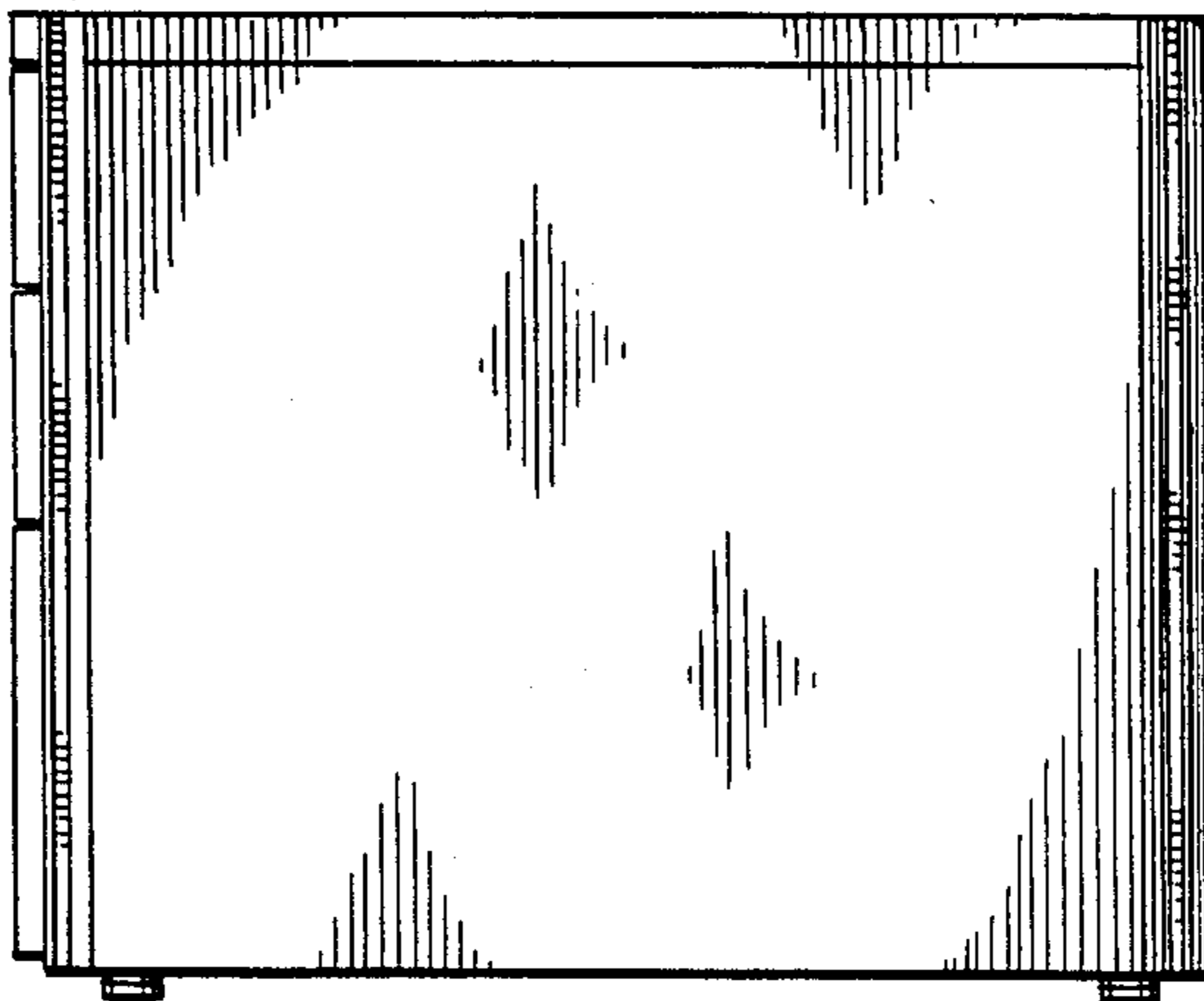


FIG. 6

