

[54] CLOTHING DISPLAY RACK

[76] Inventor: John A. Rekow, 23755 Anderson Lane, Newberg, Oreg. 97132

[**] Term: 14 Years

[21] Appl. No.: 744,640

[22] Filed: Jun. 14, 1985

[52] U.S. Cl. D6/411

[58] Field of Search D6/411, 415; 211/1, 211/8, 13, 182, 206, 204, 205

[56] References Cited

U.S. PATENT DOCUMENTS

D. 228,539	10/1973	Gelles	D6/411
D. 265,358	7/1982	Rekow	D6/411
D. 265,872	8/1982	Rekow	D6/411
D. 272,783	2/1984	Gelles	D6/415 X
4,380,298	4/1983	Harig	211/204 X

OTHER PUBLICATIONS

"Ferrocraft" Catalog, p. 6; Display Rack #HXC-6SF, bottom left on page.

Visual Merchandising and Store Design, Apr. 1984, p. 160; Rack #14117, top left on page.

Visual Merchandising and Store Design, Nov. 1984, p. 24; Rack at top center of page.

Primary Examiner—Carmen H. Vales

Attorney, Agent, or Firm—James D. Givnan, Jr.

[57] CLAIM

The ornamental design for a clothing display rack, as shown.

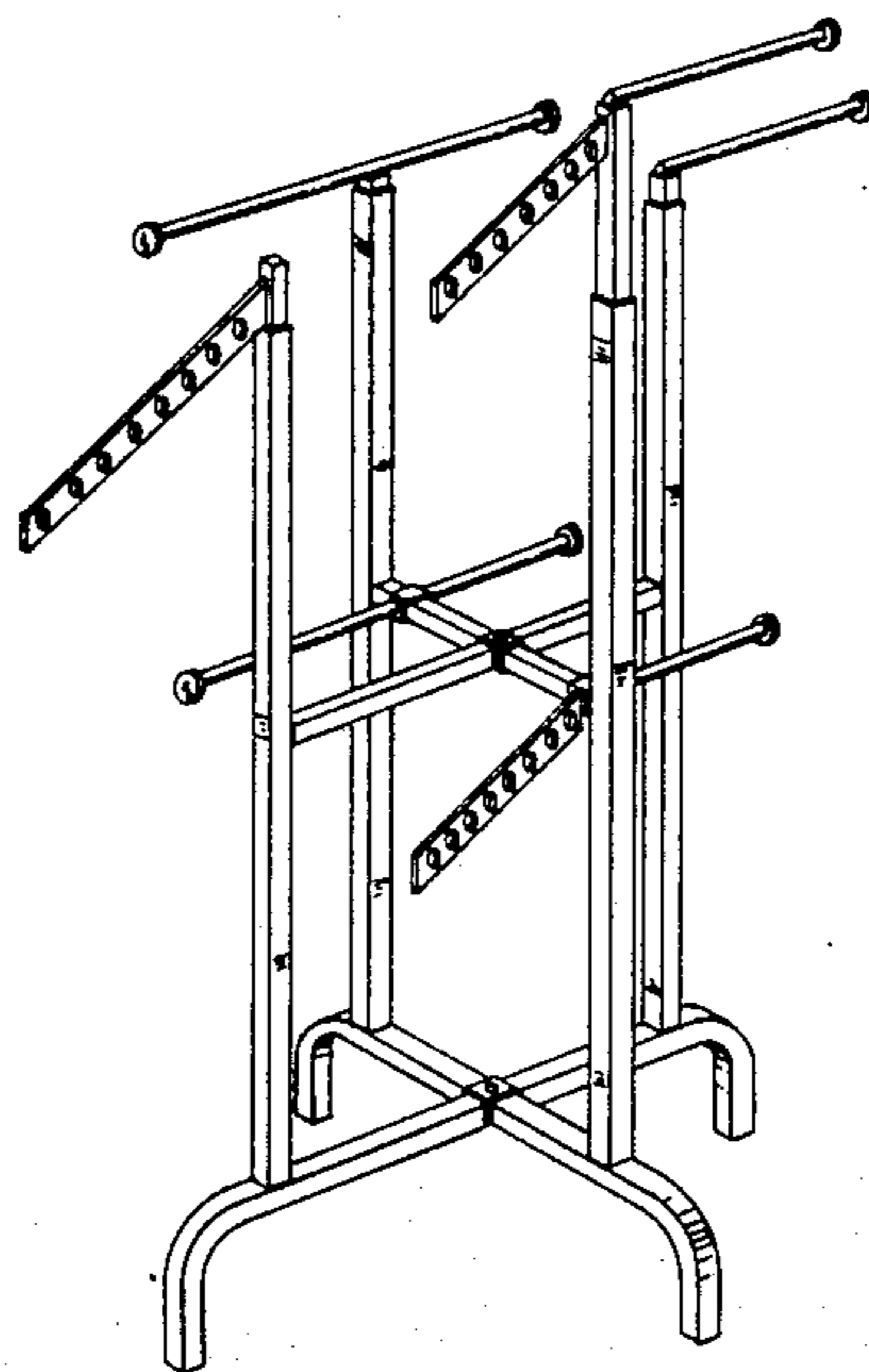
DESCRIPTION

FIG. 1 is a perspective view of a clothing display rack showing my new design;

FIG. 2 is an elevational view thereof;

FIG. 3 is a top plan view thereof; and

FIG. 4 is a bottom plan view thereof.



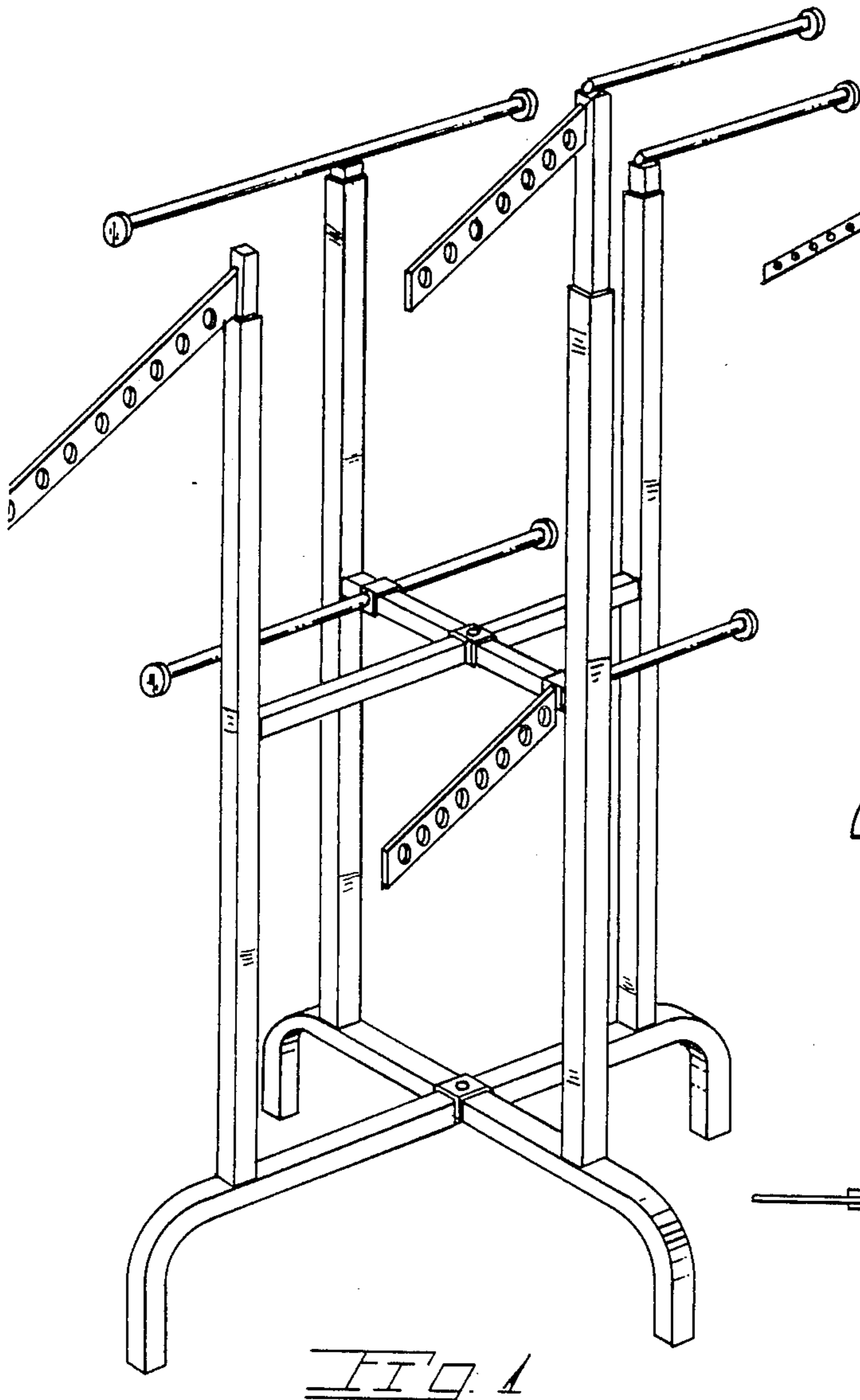


FIG. 1

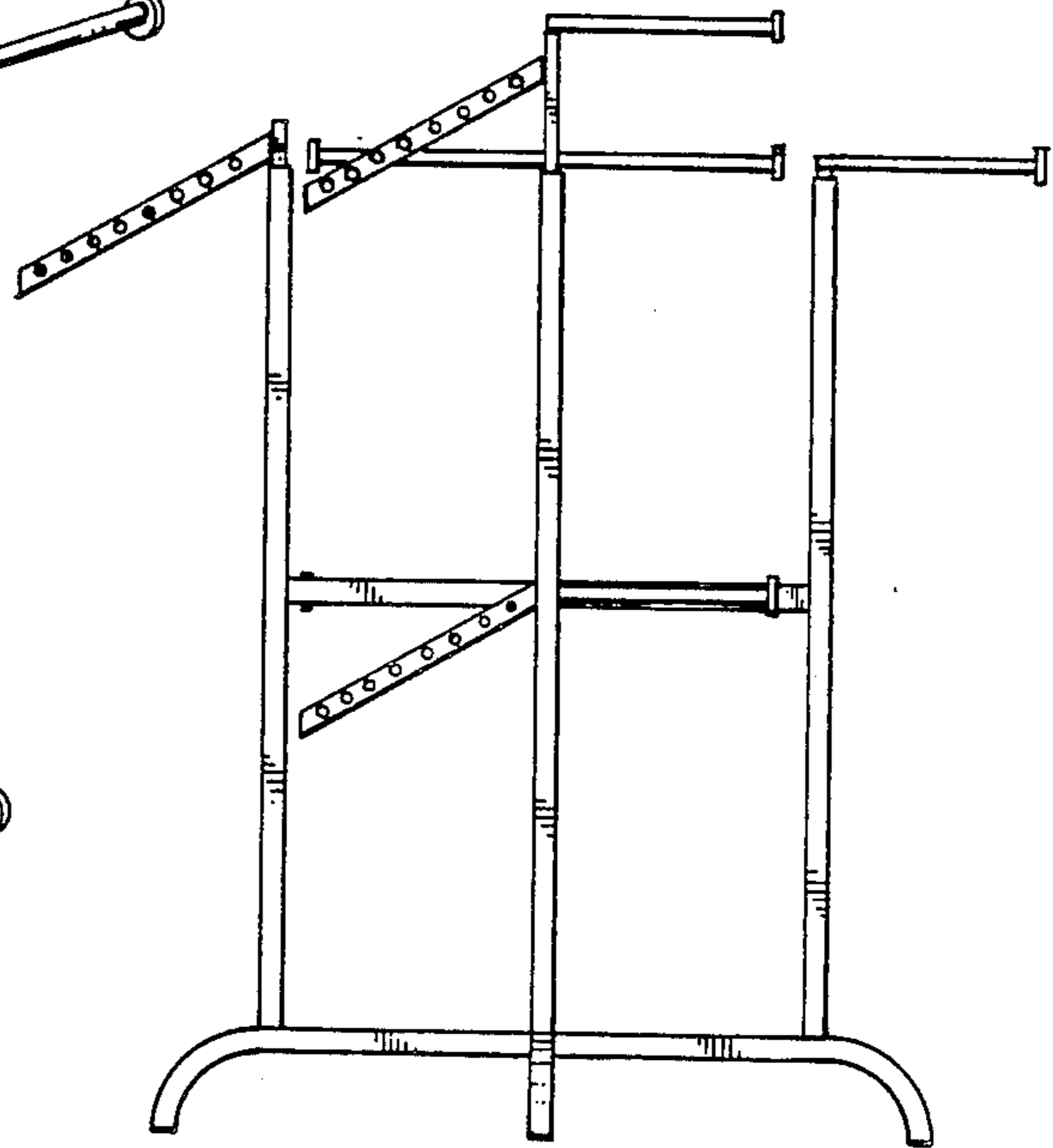


FIG. 2

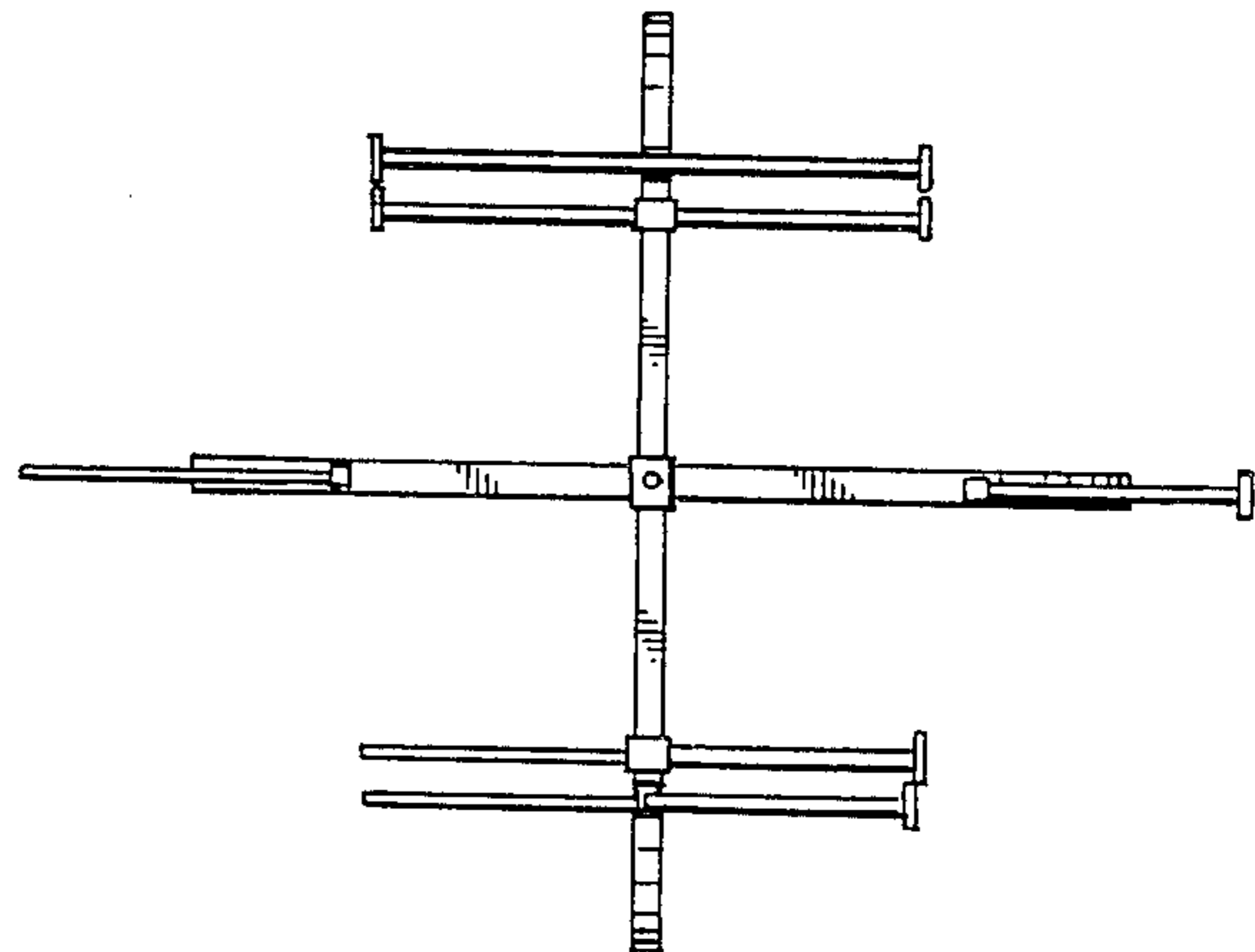


FIG. 3

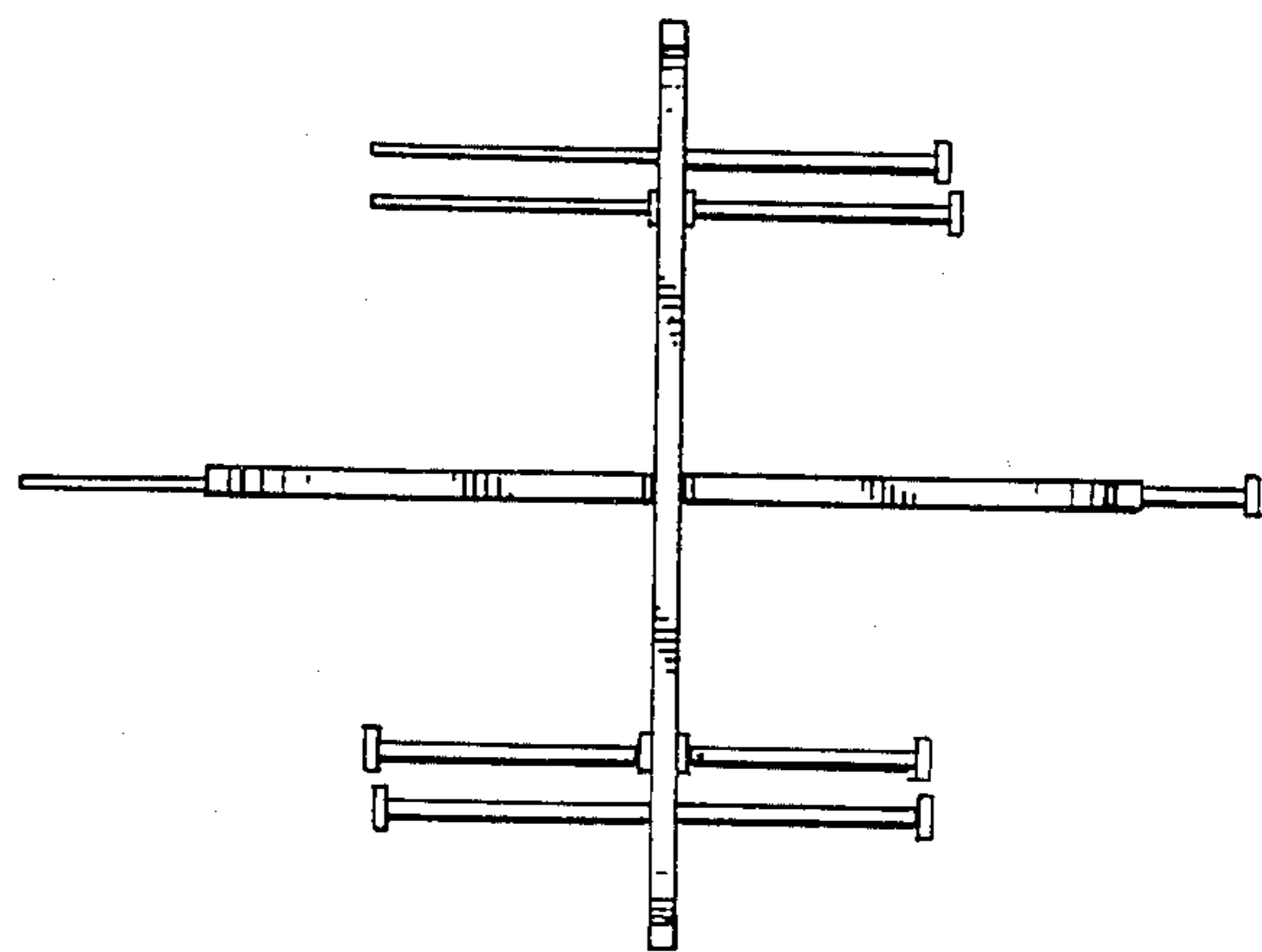


FIG. 4