

[54] CHAIR

[56] References Cited

[76] Inventor: Friedrich Schlapp, Bahnhofstrasse 2, D-6390 Usingen, Fed. Rep. of Germany

U.S. PATENT DOCUMENTS

- D. 248,905 8/1978 Schoeller ..... D6/380 X
- D. 258,706 3/1981 Lübke ..... D6/379
- D. 270,792 10/1983 Lange ..... D6/379 X
- D. 274,392 6/1984 Blodde ..... D6/379
- D. 278,767 5/1985 Lundquist ..... D6/380 X

[\*\*] Term: 14 Years

Primary Examiner—Bruce W. Dunkins  
Attorney, Agent, or Firm—Michael J. Striker

[21] Appl. No.: 752,392

[57] CLAIM

[22] Filed: Jul. 3, 1985

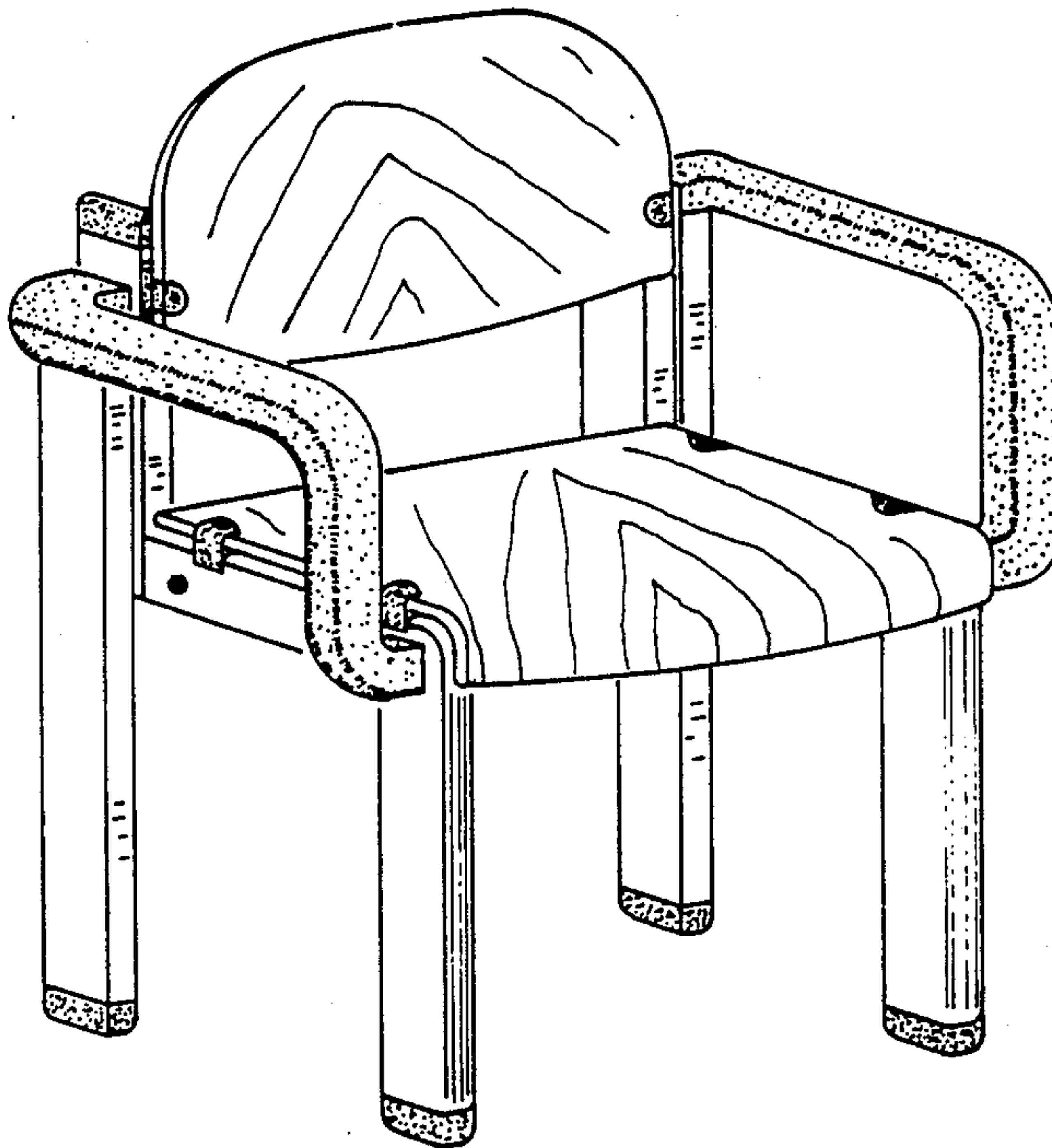
The ornamental design for a chair, substantially as shown and described.

[30] Foreign Application Priority Data

DESCRIPTION

Jan. 4, 1985 [DE] Fed. Rep. of Germany ..... MR 75  
 [52] U.S. Cl. .... D6/379; D6/380  
 [58] Field of Search ..... D6/334, 374, 375, 379, D6/380; 297/445

FIG. 1 is a front perspective view of a chair showing my new design;  
 FIG. 2 is a rear perspective view; and  
 FIG. 3 is a side elevational view, the opposite side being a mirror image thereof.



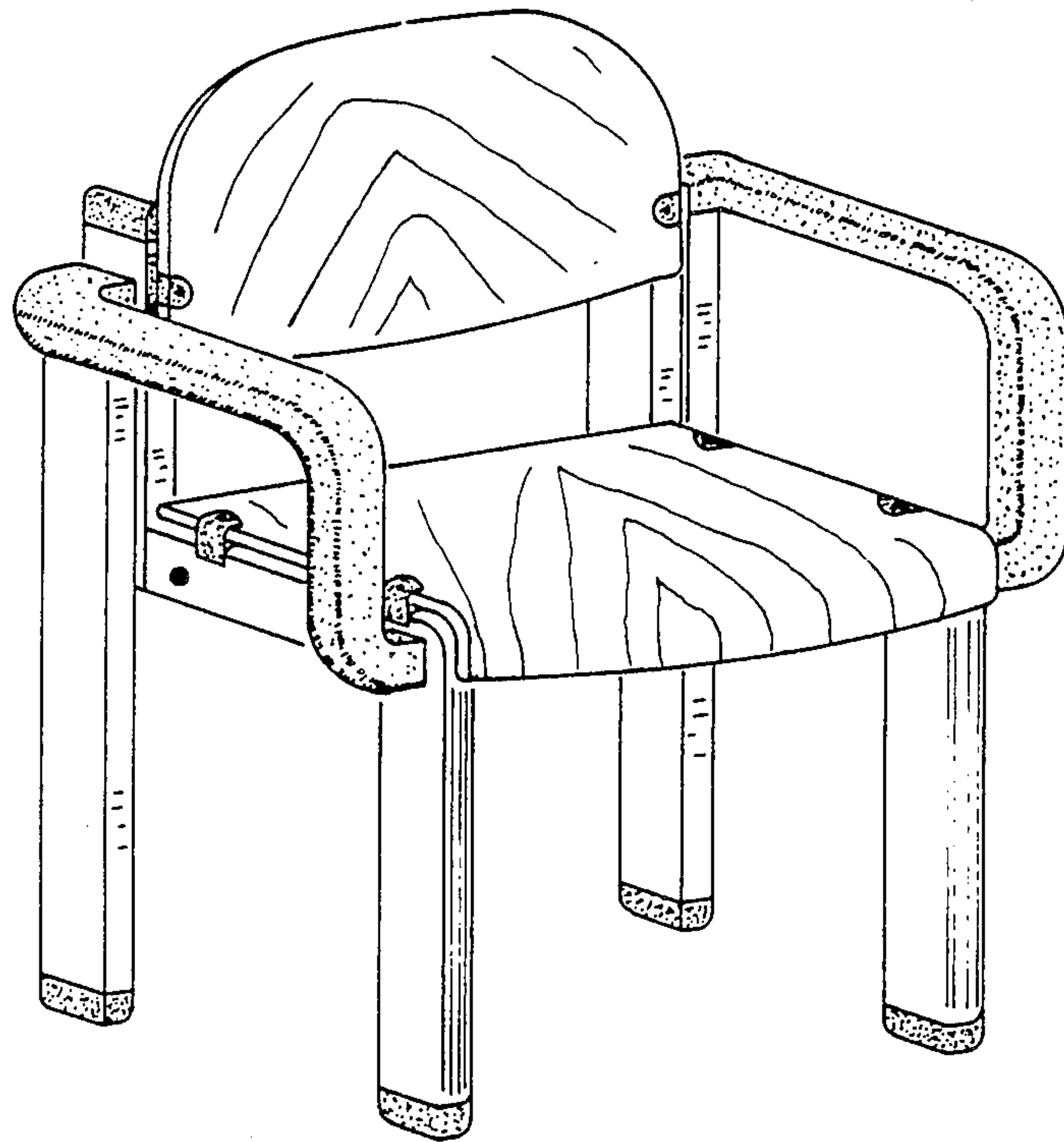
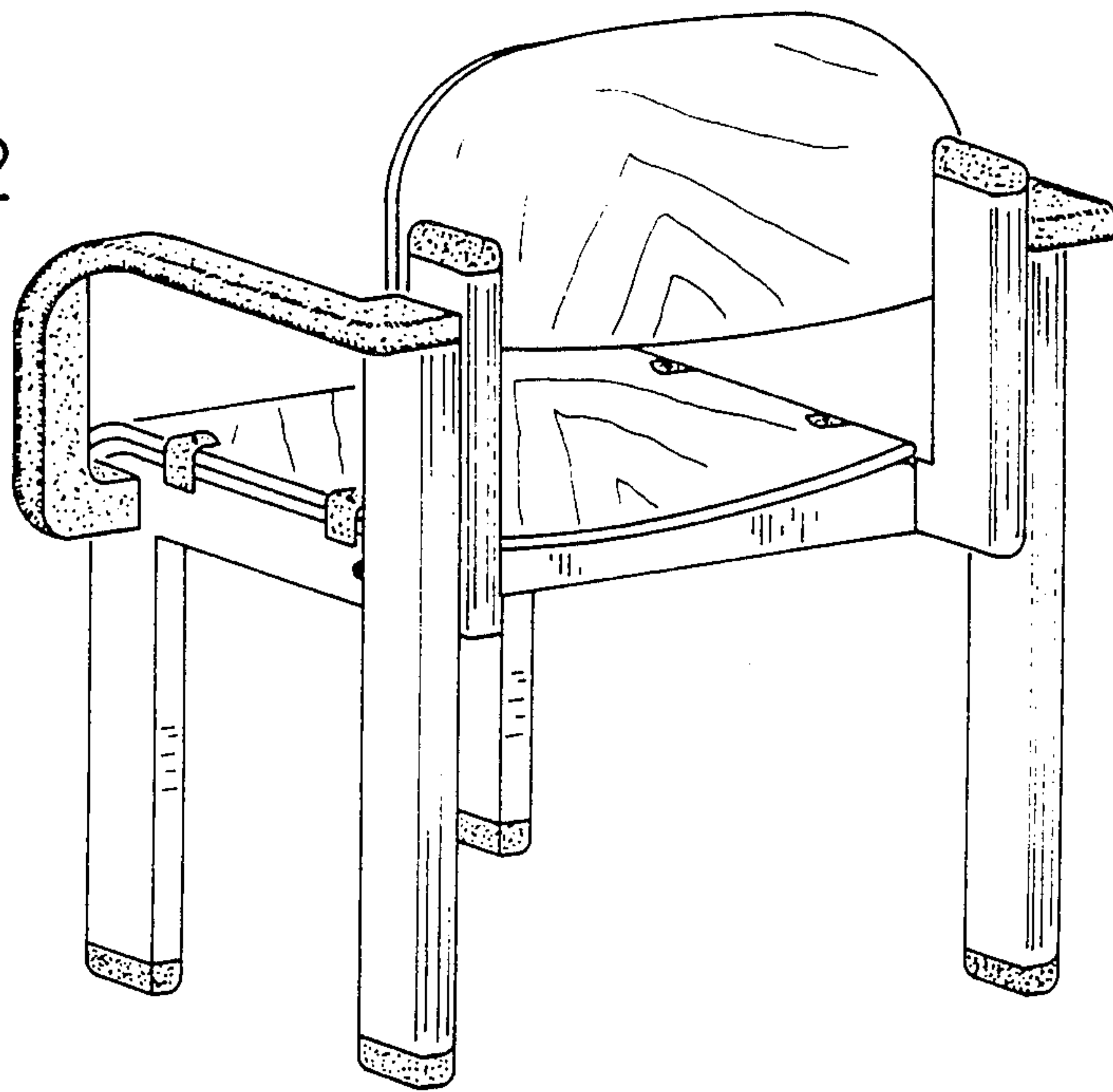


FIG. 1

FIG. 2



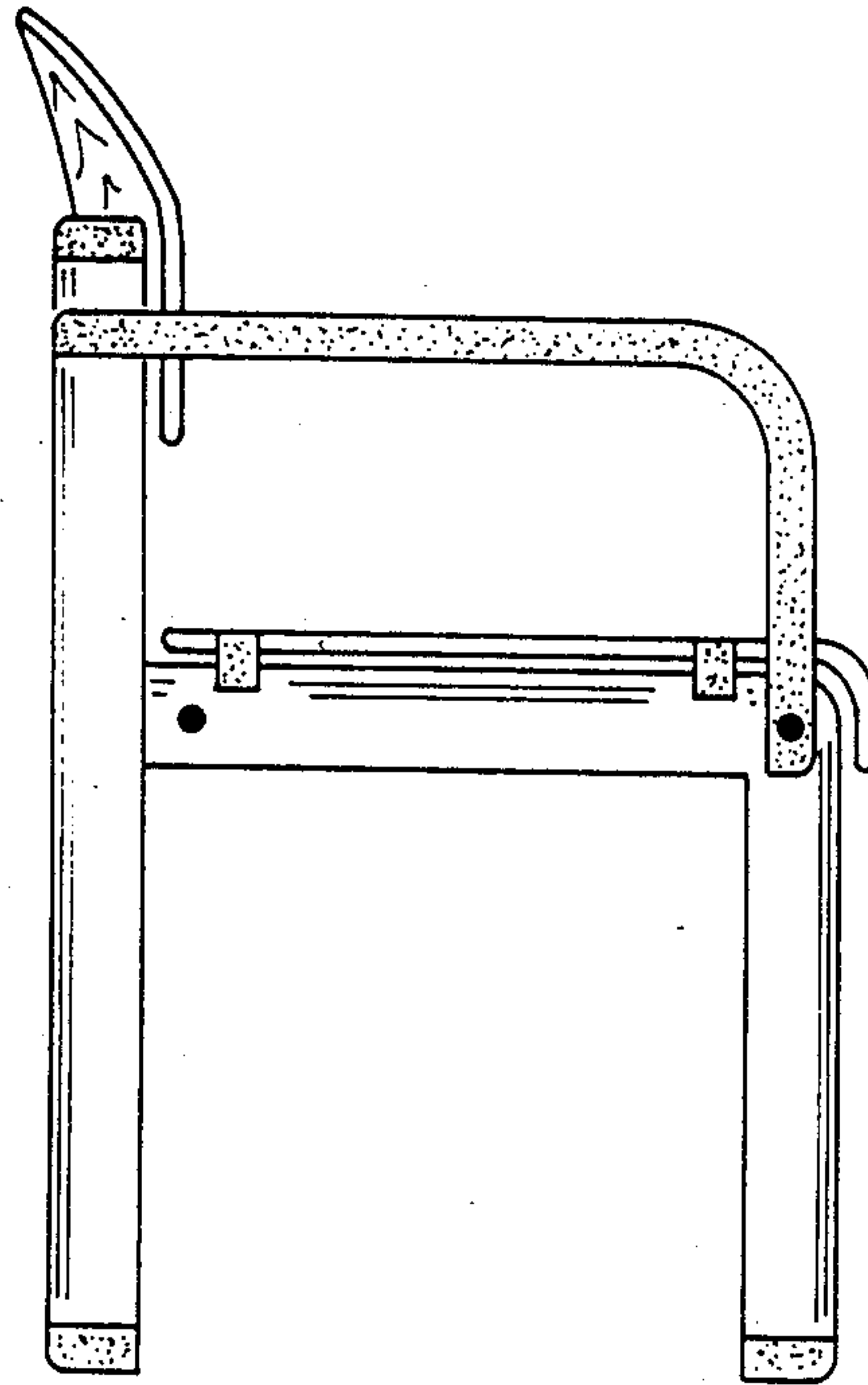


FIG. 3