

[54] **VEHICLE WASHING BRUSH**

[76] **Inventor: Murray G. Spencer, 39 Warlock Crescent, Willowdale, Ontario, Canada, M2K 2H8**

[\*\*] **Term: 14 Years**

[21] **Appl. No.: 752,606**

[22] **Filed: Jul. 8, 1985**

[30] **Foreign Application Priority Data**

Feb. 25, 1985 [CA] Canada ..... 25-02-85-13  
[52] **U.S. Cl. .... D32/45**  
[58] **Field of Search ..... D32/45; 15/244; 401/196, 203, 204, 207, 261, 263**

[56] **References Cited**

**U.S. PATENT DOCUMENTS**

D. 202,026 8/1965 Gaudino ..... D32/45  
D. 252,250 7/1979 Hobbs ..... D32/45

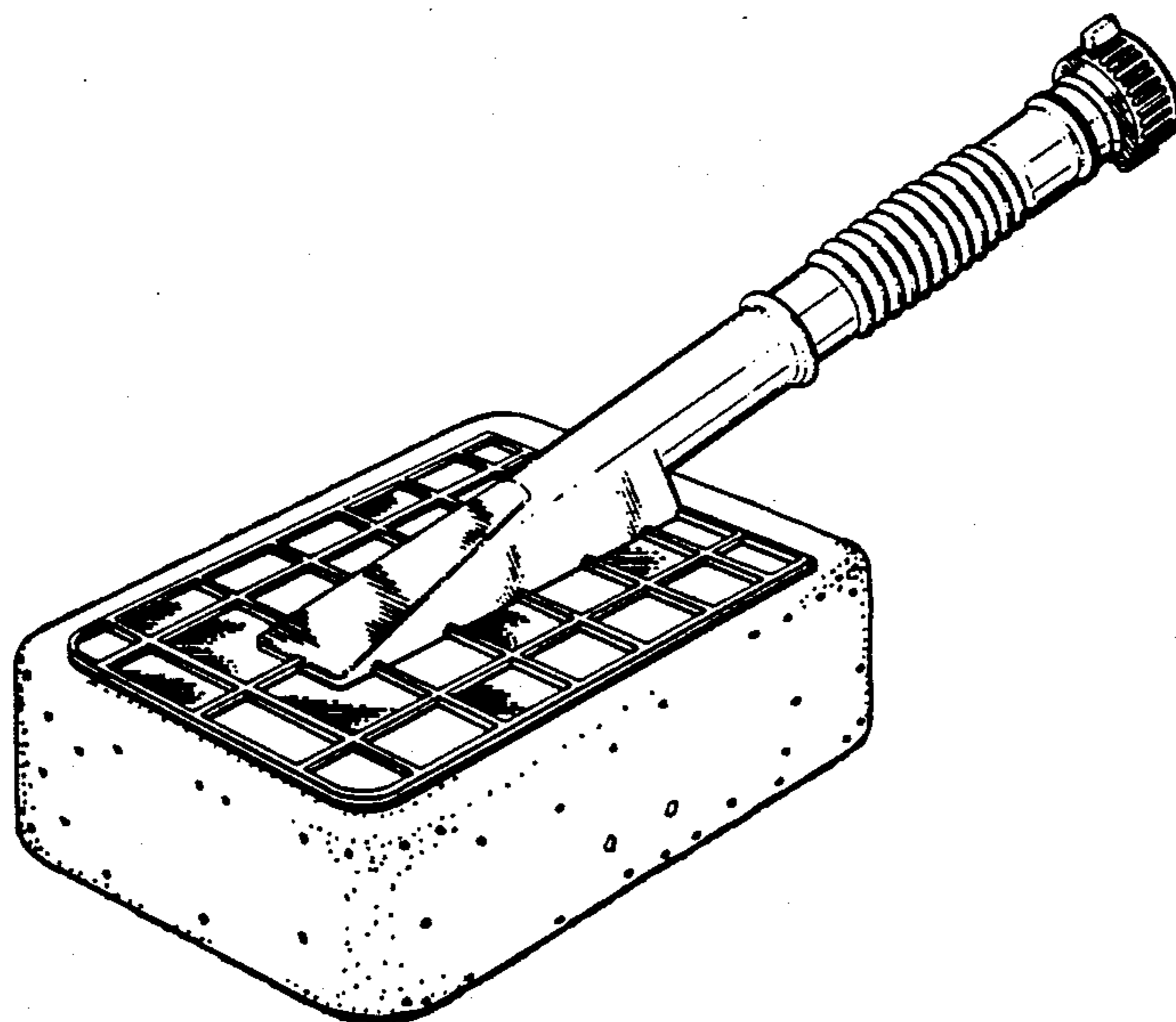
*Primary Examiner*—Catherine E. Kemper  
*Attorney, Agent, or Firm*—Riches, McKenzie & Herbert

[57] **CLAIM**

The ornamental design for a vehicle washing brush, substantially as shown.

**DESCRIPTION**

FIG. 1 is a front perspective view of a vehicle washing brush, showing my new design;  
FIG. 2 is a side elevational view thereof;  
FIG. 3 is a top plan view thereof;  
FIG. 4 is a bottom plan view thereof;  
FIG. 5 is a front elevational view thereof.  
FIG. 6 is a rear elevational view thereof.



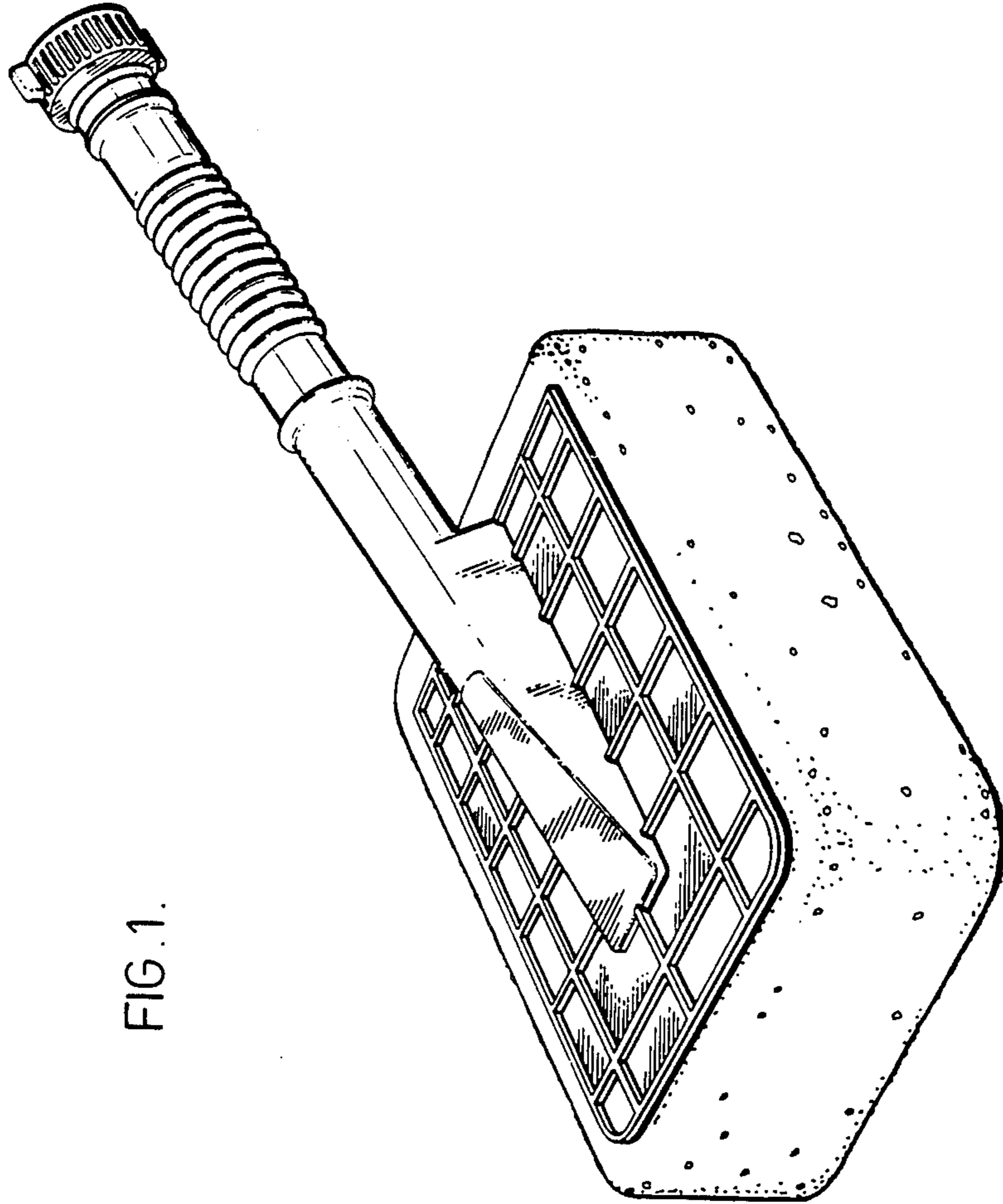


FIG. 1.

FIG. 2.

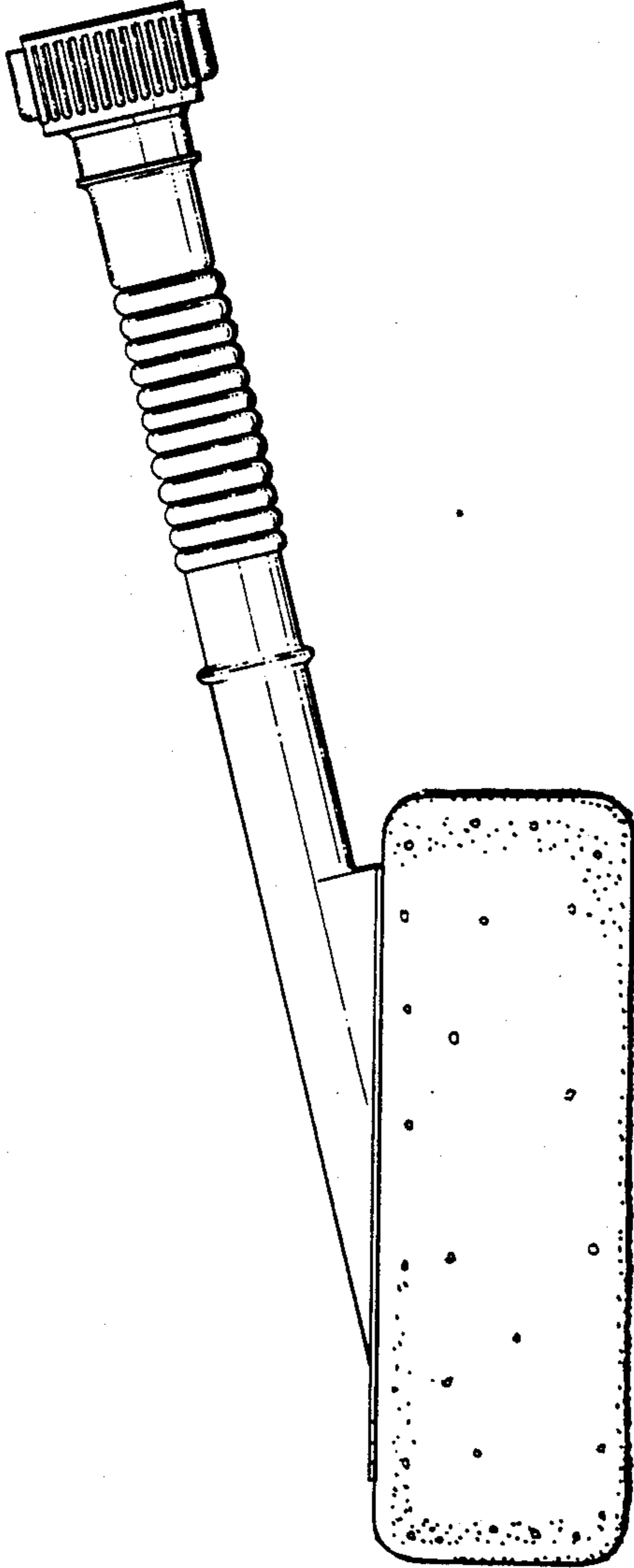


FIG. 3.

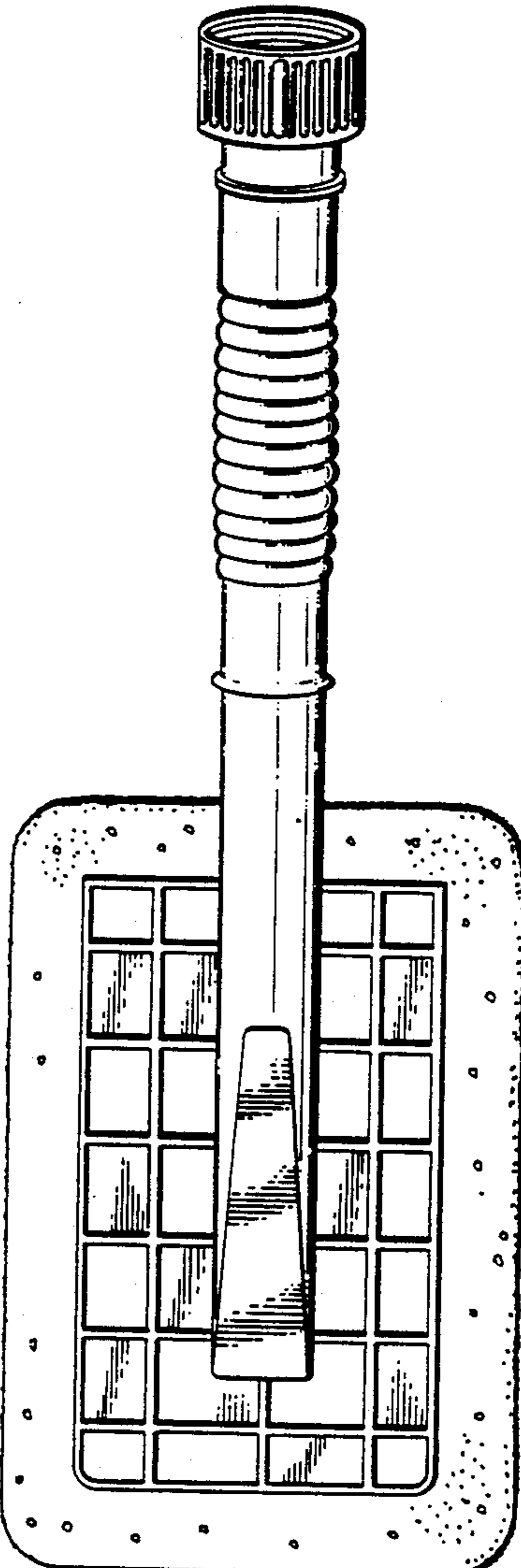


FIG. 4.

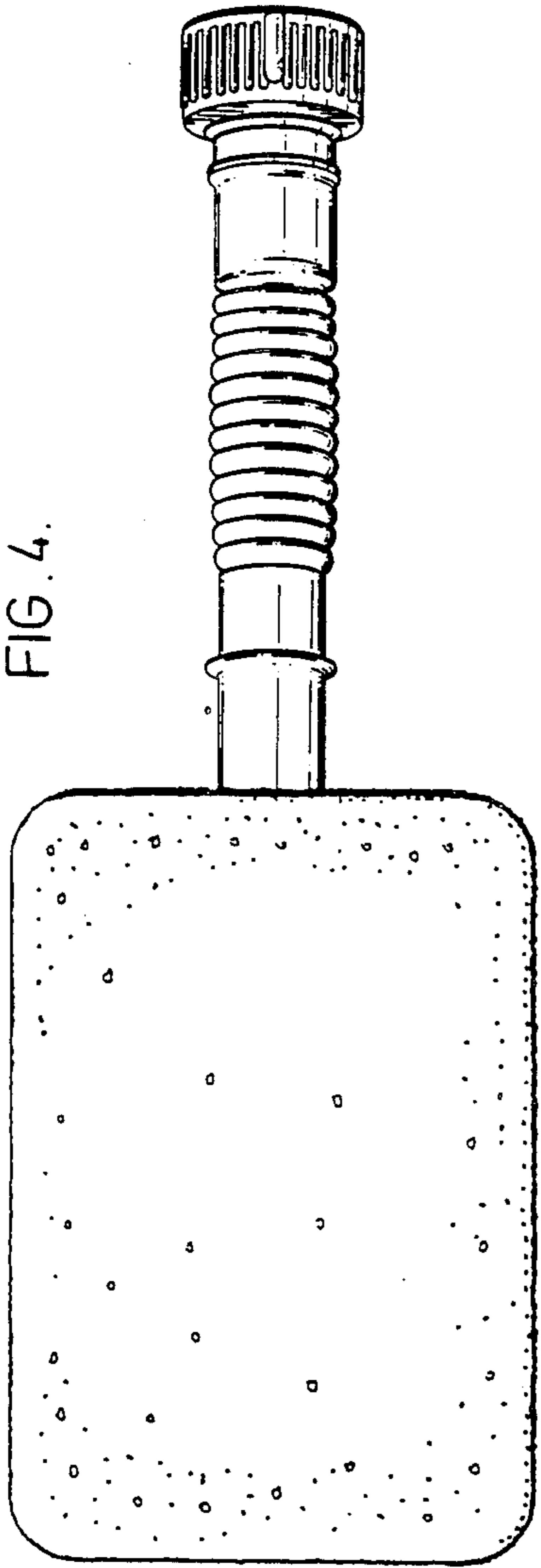


FIG. 5.

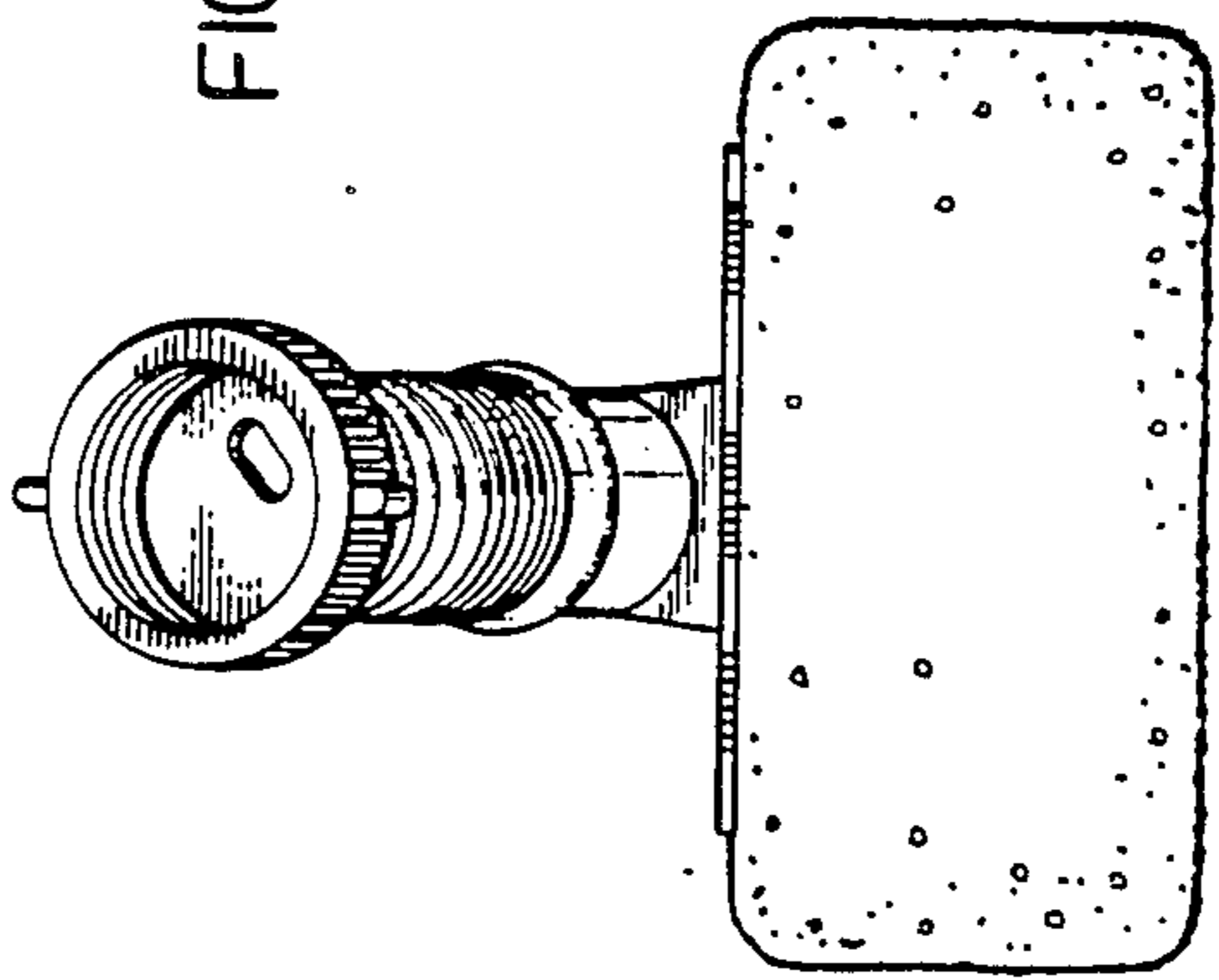


FIG. 6.

