

[54] MILKING PARLOR STALL GATE UNIT

[76] Inventors: August Vandenberg, 17306 Roseton Ave.; Ben W. Vandenberg, 17224 Gard Ave., both of Artesia, Calif. 90701; Andrew W. Vandenberg, 15751 Ryon St.; Ben E. Haws, 8828 Laurel St., both of Bellflower, Calif. 90706

[**] Term: 14 Years

[21] Appl. No.: 889,517

[22] Filed: Jul. 25, 1986

[52] U.S. Cl. D30/119

[58] Field of Search D30/1, 2, 41, 42, 43, D30/44, 45, 99; 119/14.03, 16, 18, 20, 27

[56] References Cited

U.S. PATENT DOCUMENTS

D. 90,482	8/1933	Ferris	D30/2
D. 137,590	4/1944	Babson et al.	D30/2
D. 274,659	7/1984	Vandenberg et al.	D30/2
3,792,686	2/1974	Needham et al.	119/27 X

3,805,742	4/1974	Shuliek et al.	119/27
3,810,442	5/1974	Hudson et al.	119/14.03
4,194,467	3/1980	Nielsen et al.	119/14.03
4,362,127	12/1982	Nielsen et al.	119/27 X
4,419,961	12/1983	Vandenberg et al.	119/14.03
4,508,059	4/1985	Anderson	119/14.03
4,513,687	4/1985	DeJong	119/14.03

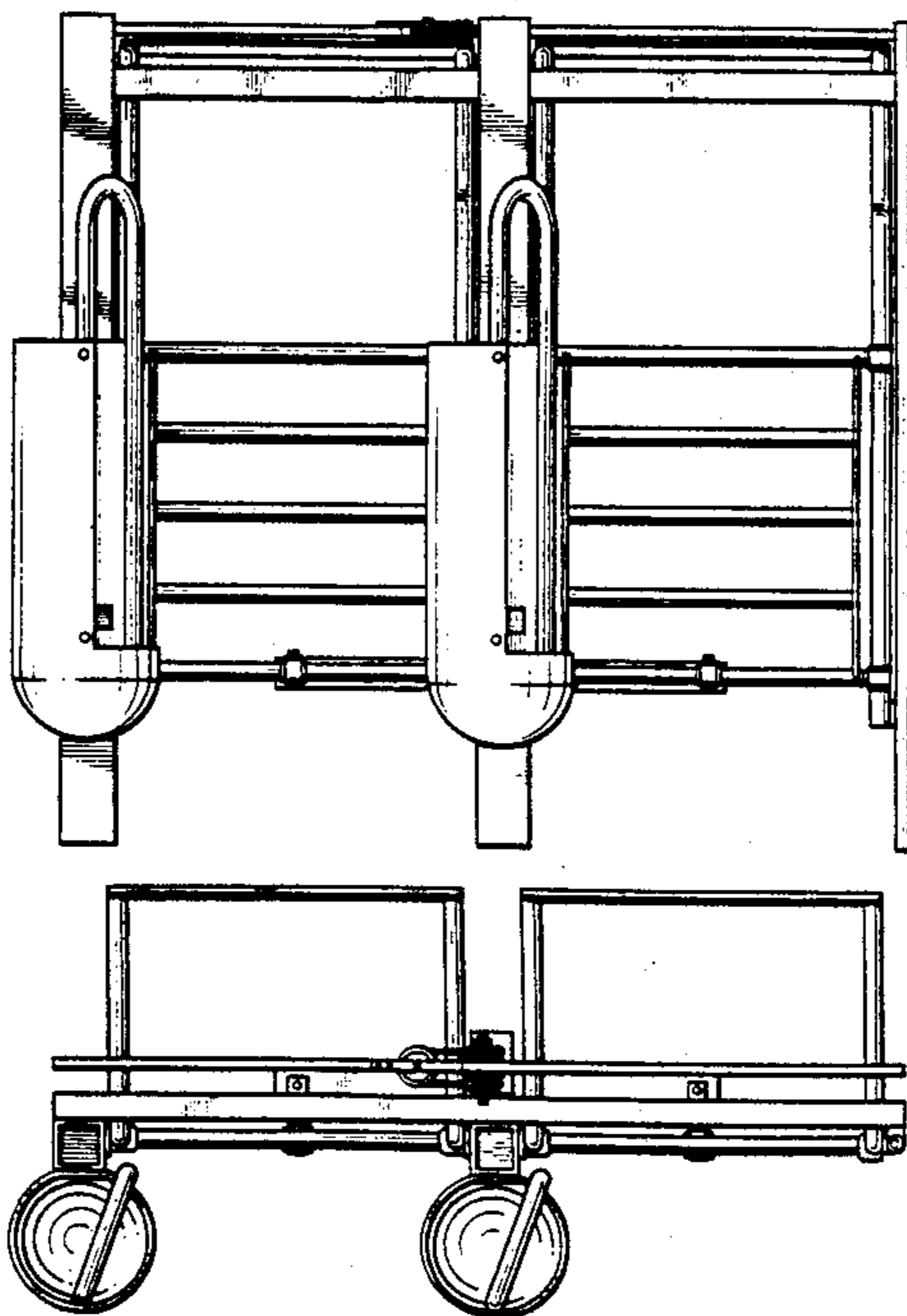
Primary Examiner—James R. Largen
Attorney, Agent, or Firm—Cislo & Thomas

[57] CLAIM

The ornamental design for a milking parlor stall gate unit, as shown and described.

DESCRIPTION

FIG. 1 is a front elevational view of a milking parlor stall gate unit, showing our new design; FIG. 2 is a top plan view thereof; FIG. 3 is a right side elevational view thereof; FIG. 4 is a left side elevational view thereof; FIG. 5 is a bottom plan view thereof; FIG. 6 is a rear elevational view thereof; and FIG. 7 is a cross-sectional view thereof, taken along the line 7—7 of FIG. 6.



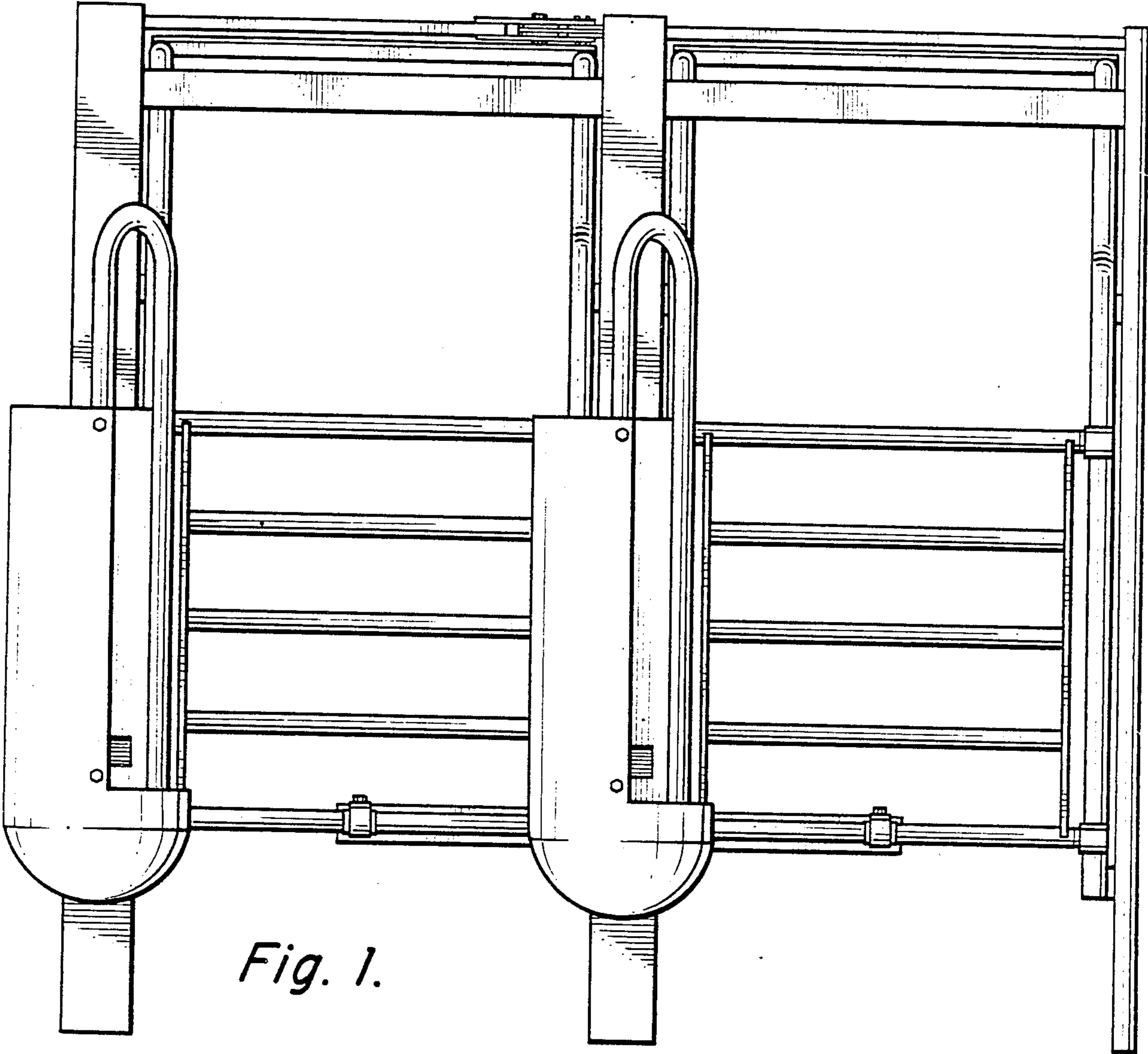


Fig. 1.

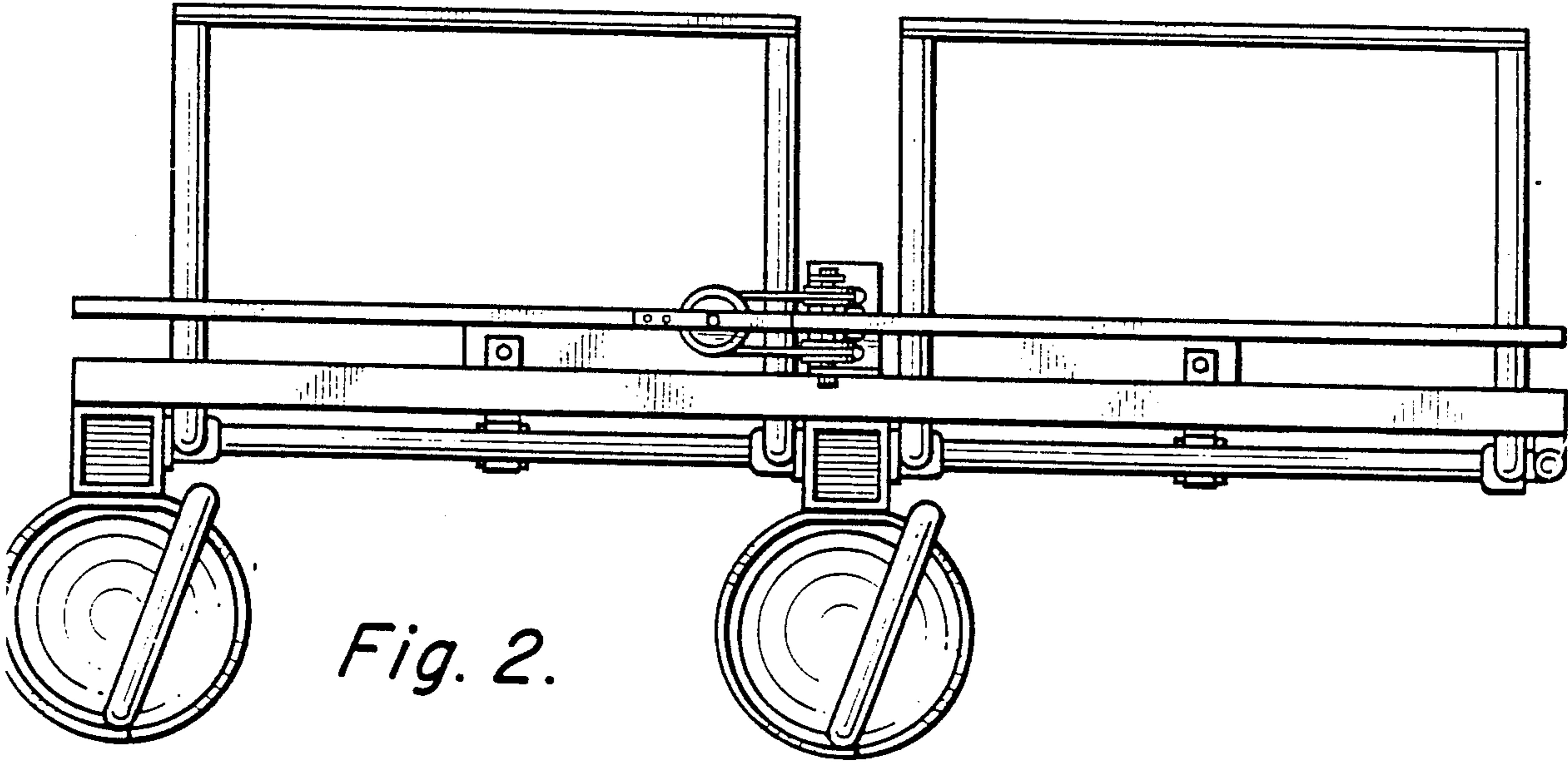


Fig. 2.

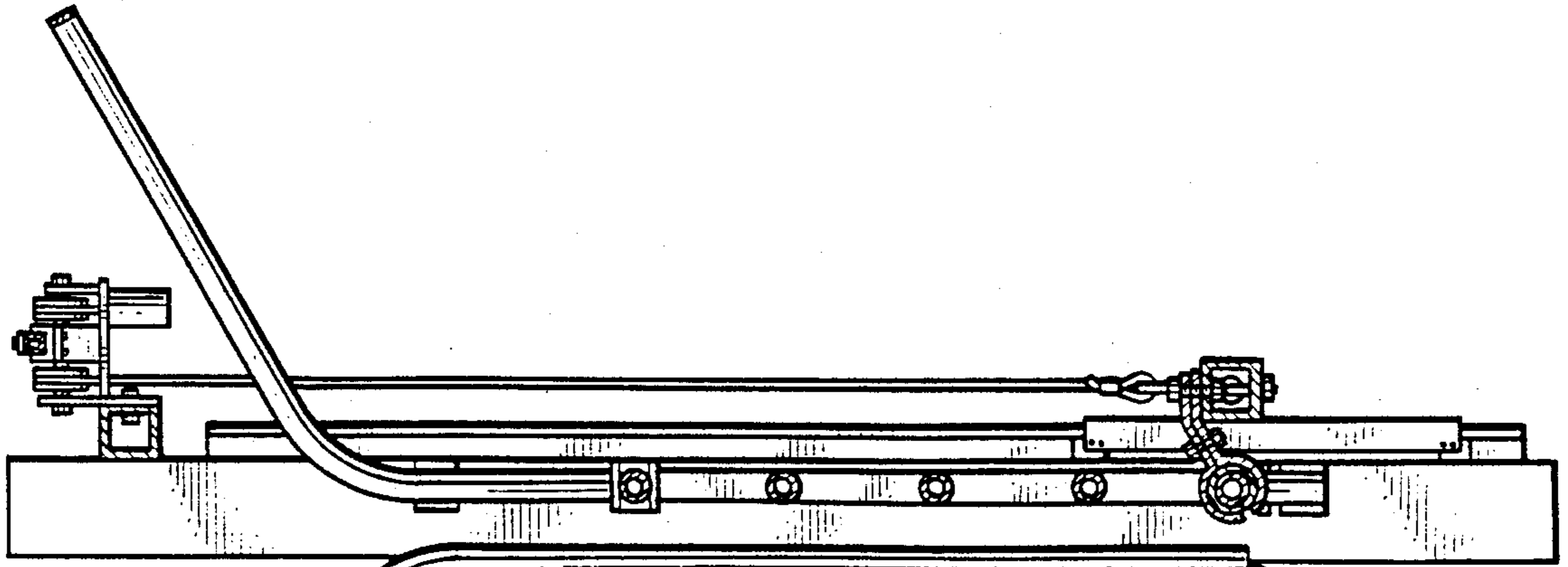


Fig. 7.

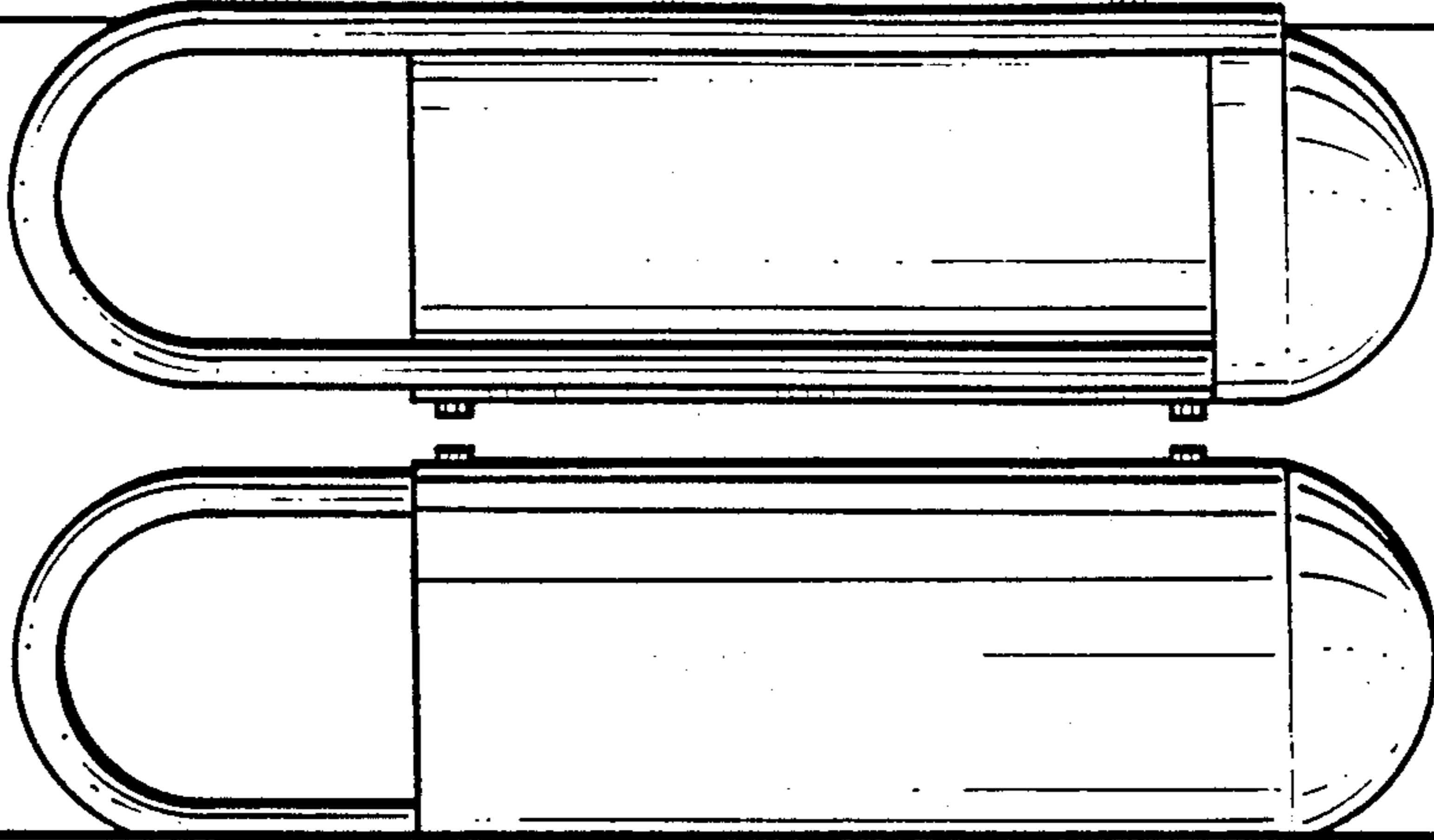


Fig. 4.

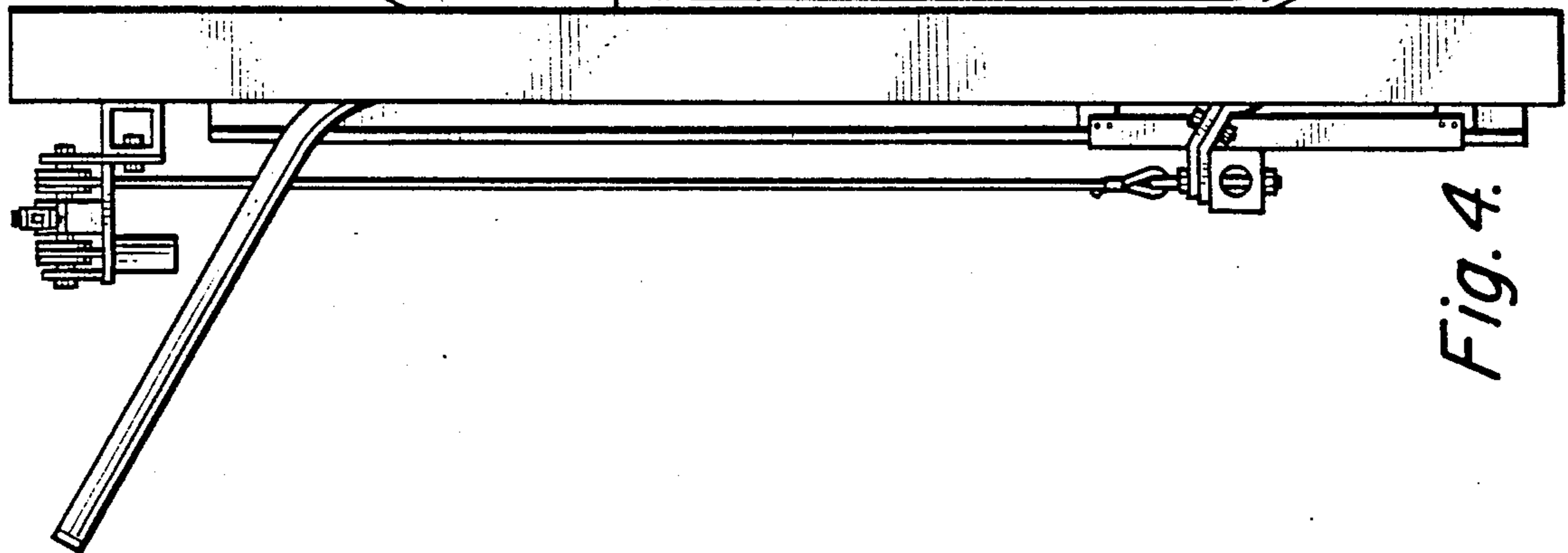
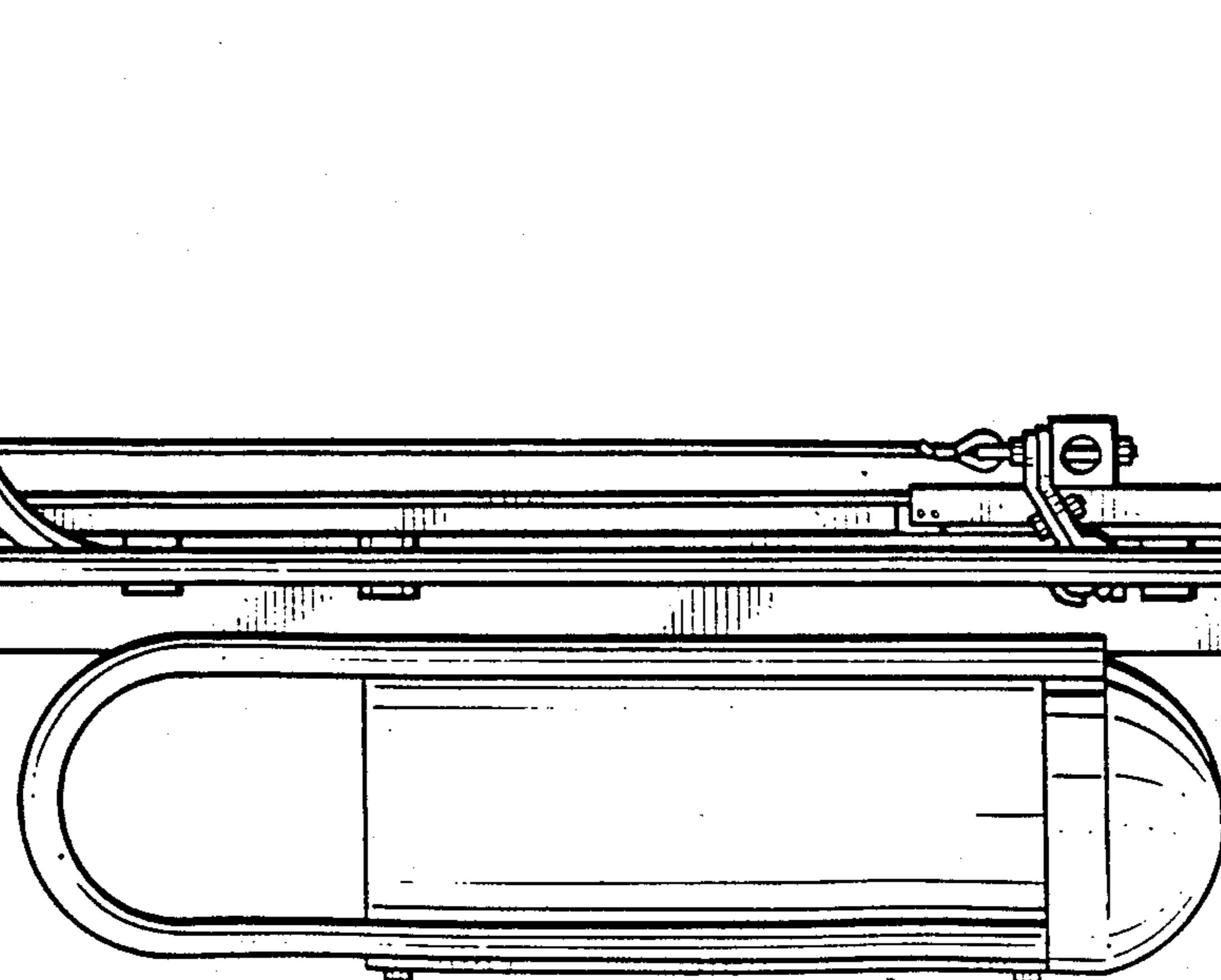


Fig. 3.



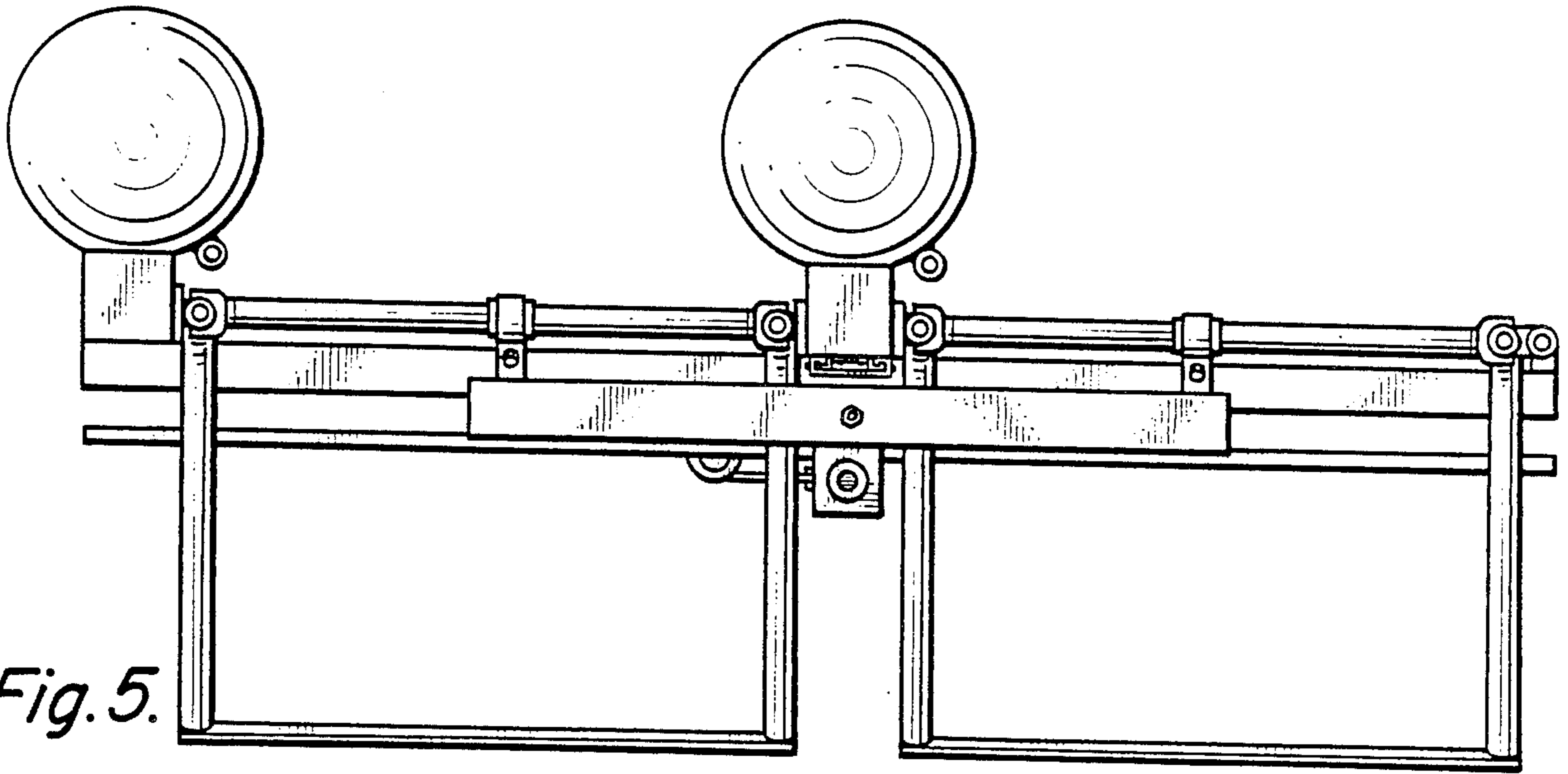


Fig. 5.

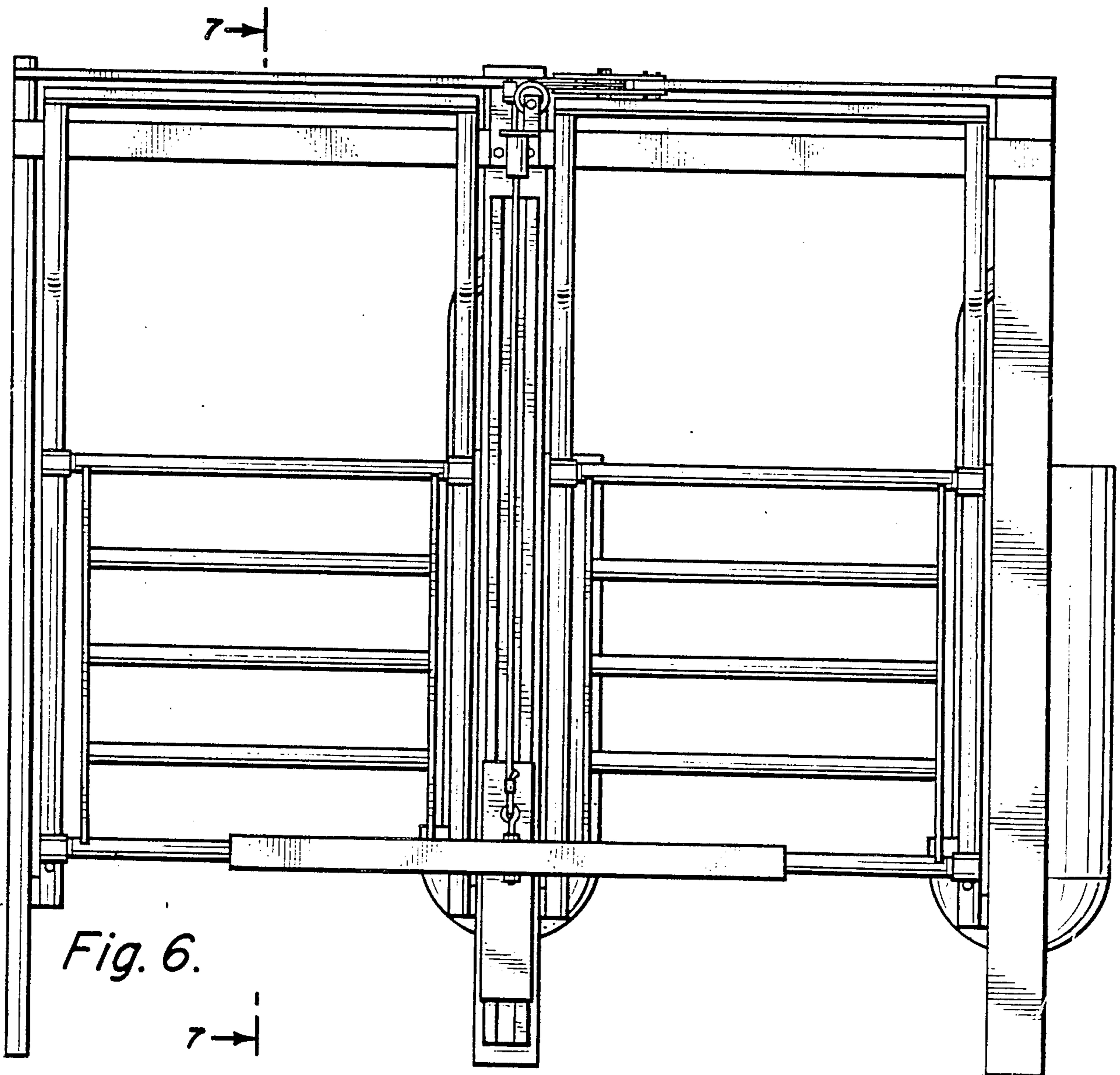


Fig. 6.