

[54] ANIMAL FEEDING BOWL

[76] Inventor: William Neunzig, 455 NE. 160th St., North Miami, Fla. 33162

[**] Term: 14 Years

[21] Appl. No.: 942,585

[22] Filed: Feb. 12, 1987

[52] U.S. Cl. D30/130

[58] Field of Search D30/13-17; 119/51.5, 61

[56] References Cited

U.S. PATENT DOCUMENTS

D. 259,669	6/1981	Peterson	D30/16
D. 289,208	4/1987	Funciullo	D30/13
747,677	12/1903	Bierley .	
2,191,811	2/1940	Trampier, Sr. .	
2,554,086	5/1951	Block	119/51.5
2,584,301	2/1952	Sinclair .	
2,677,350	5/1954	Prestidge et al. .	

4,007,711 2/1977 Michael .
4,128,080 12/1978 Haney .
4,357,905 11/1982 Carpenter .

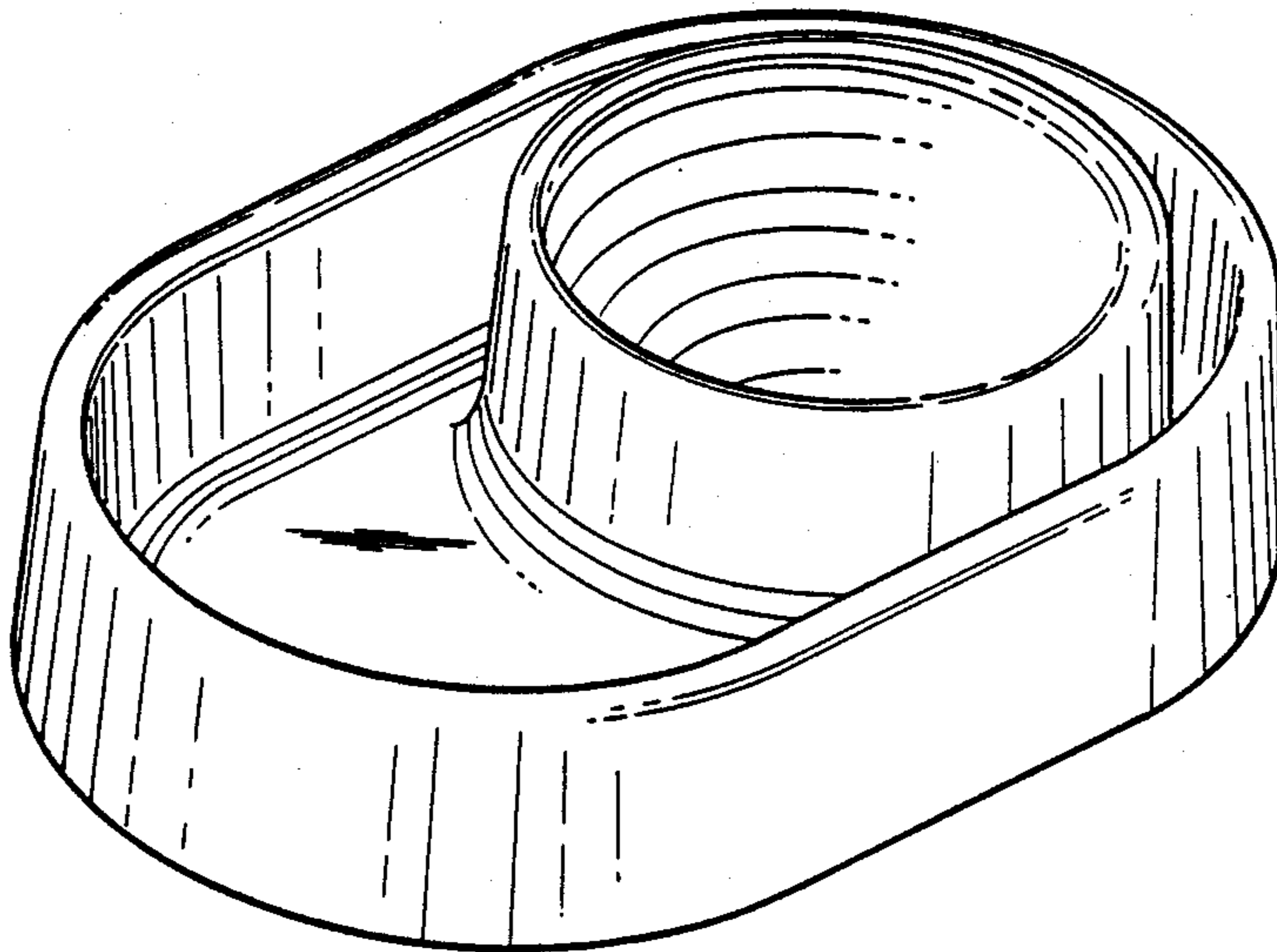
Primary Examiner—James R. Largen
Attorney, Agent, or Firm—Richard M. Saccocio

[57] CLAIM

The ornamental design for an animal feeding bowl, as shown and described.

DESCRIPTION

FIG. 1 is an isometric view of an animal feeding bowl, showing my new design;
FIG. 2 is a top plan view thereof;
FIG. 3 is a cross sectional view taken on line 3—3 of FIG. 2;
FIG. 4 is a front elevational view thereof, the rear being a mirror image of the front shown;
FIG. 5 is a bottom plan view thereof;
FIG. 6 is an elevational view taken from one end thereof, the opposite end being the same as the end shown.



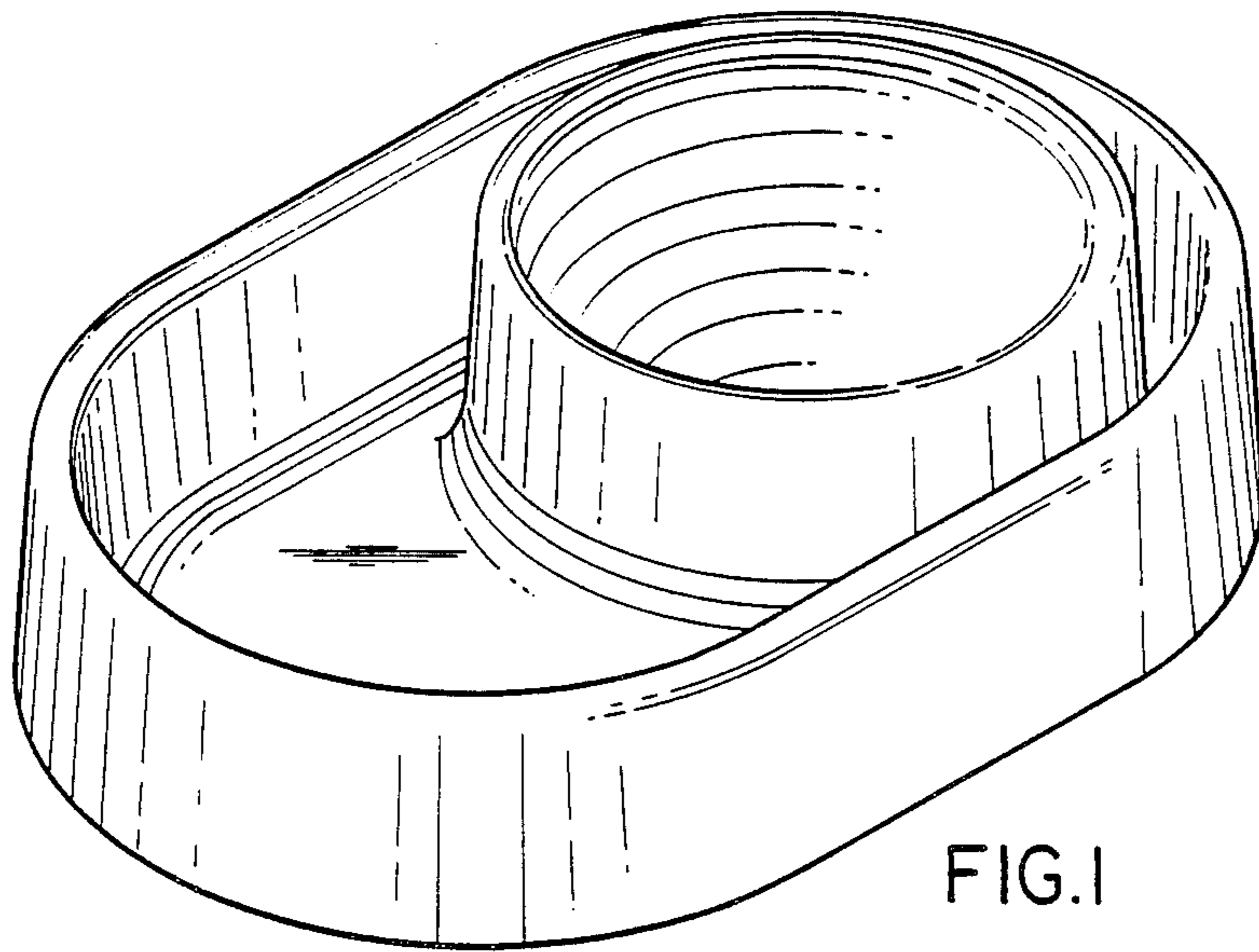


FIG. 1

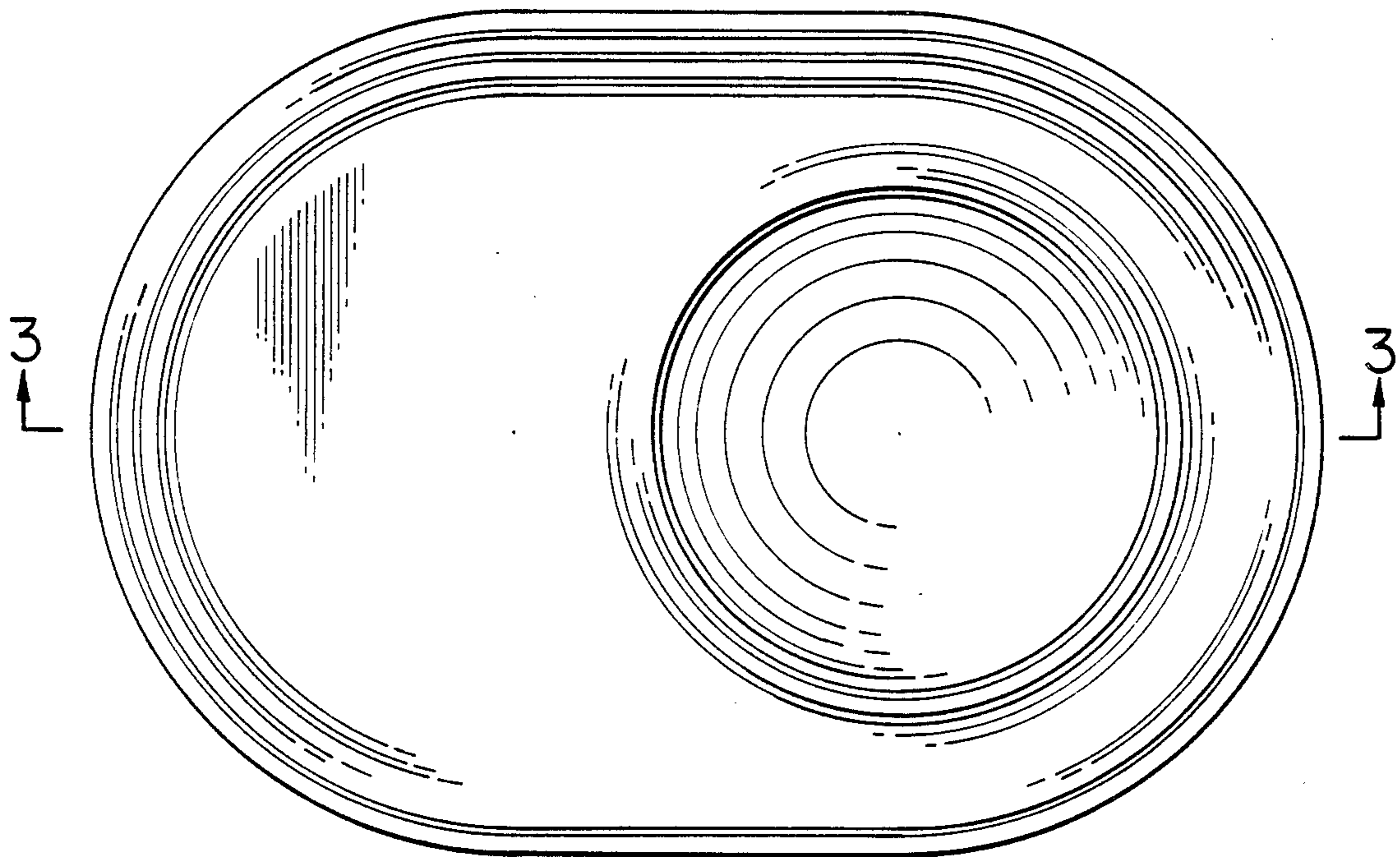


FIG. 2

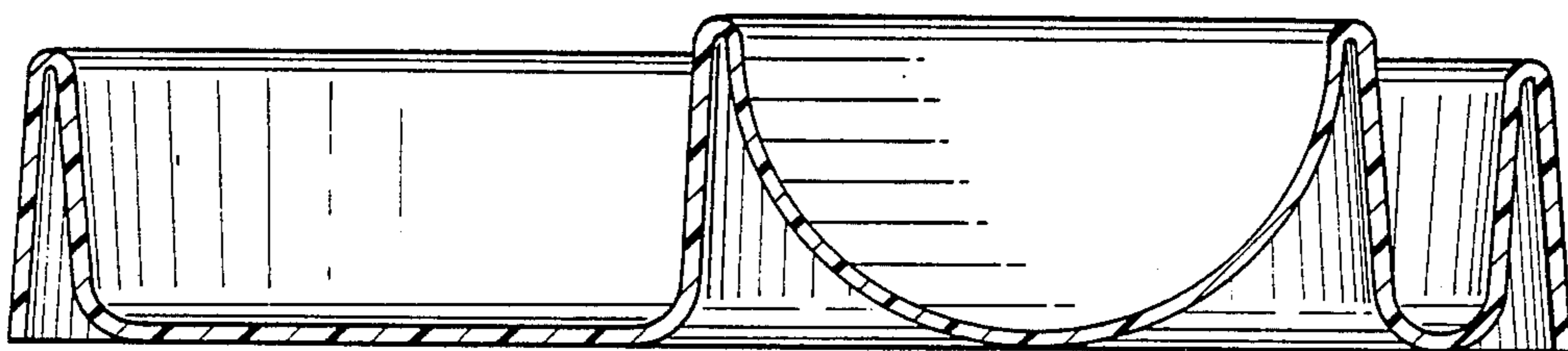


FIG. 3

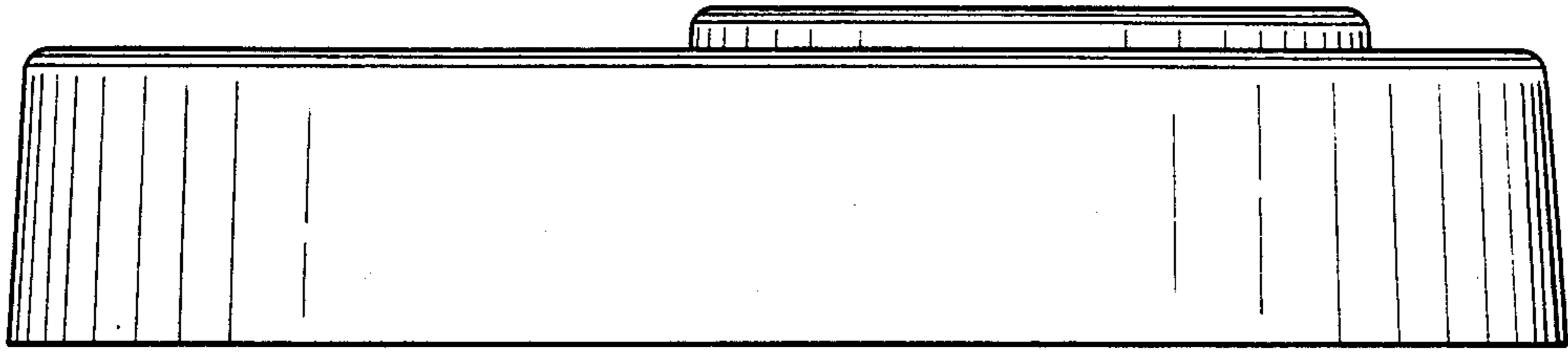


FIG. 4

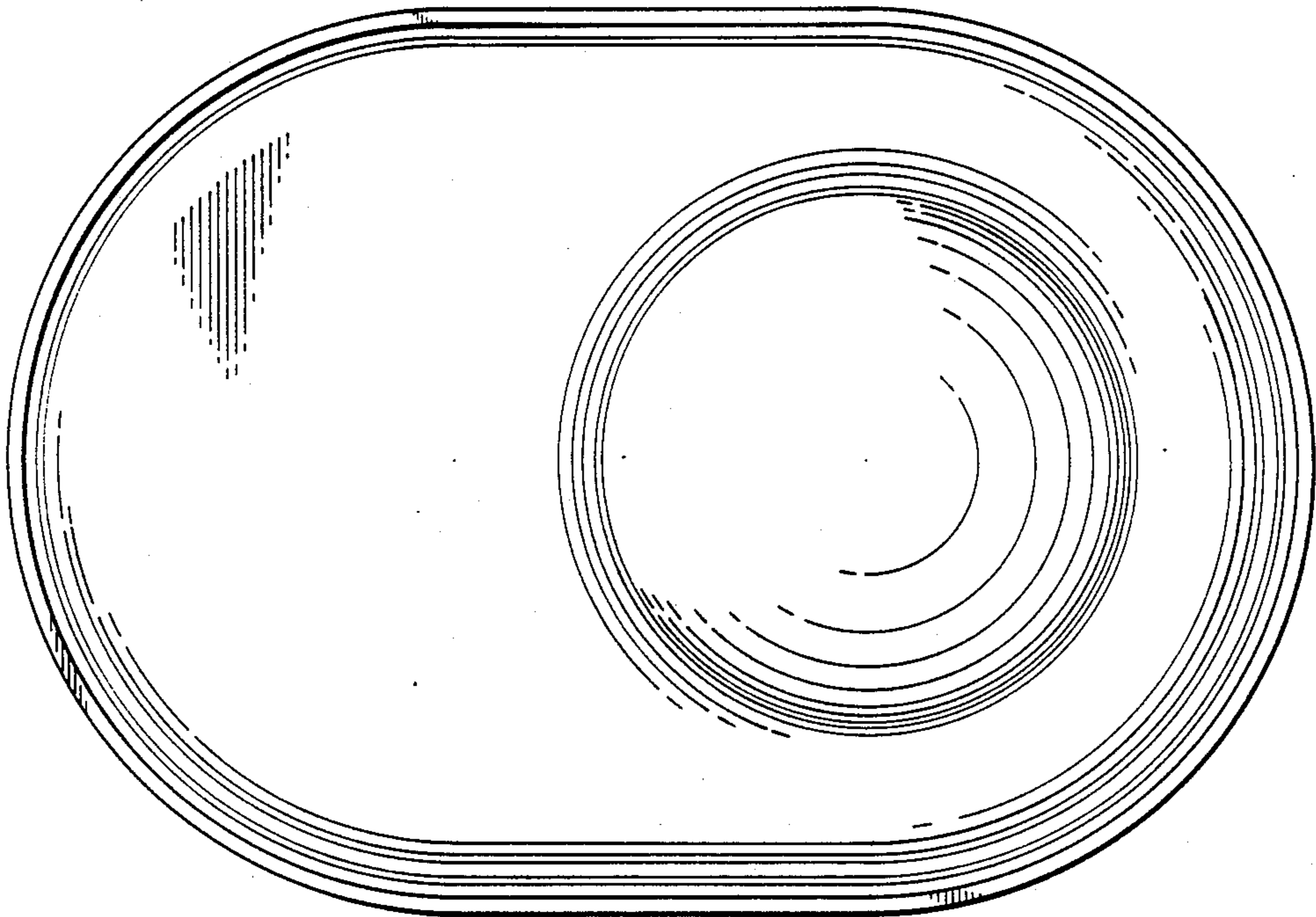


FIG. 5

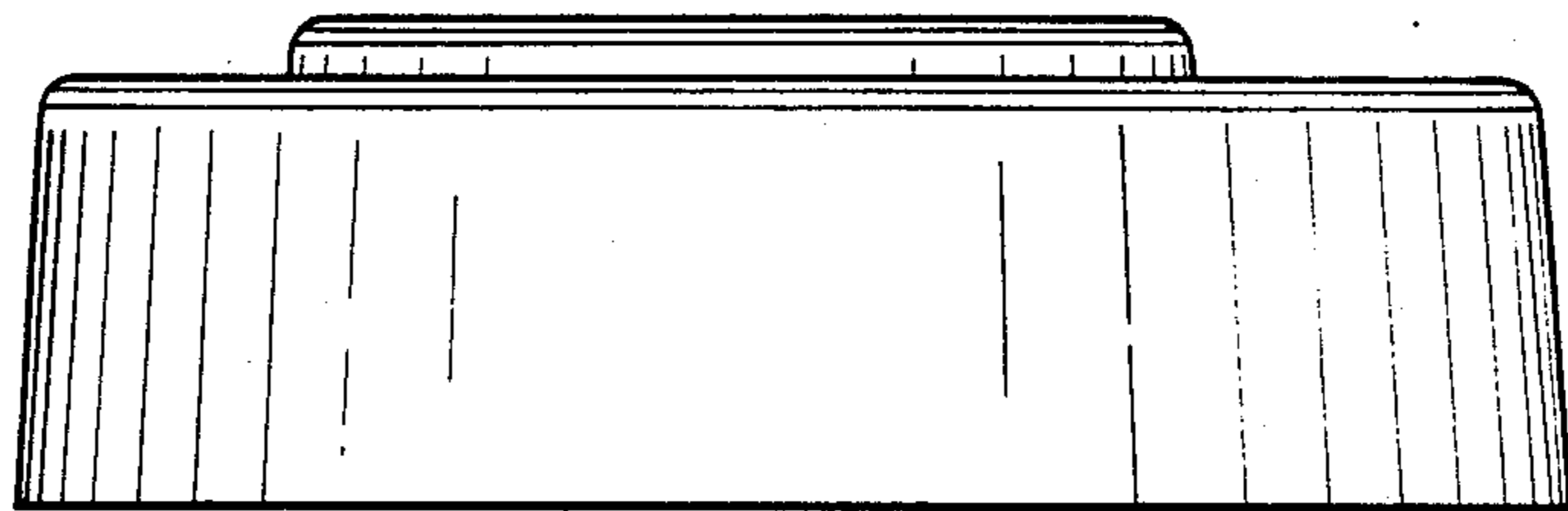


FIG. 6