

[54] HOLDER FOR HAIRSTYLING APPLIANCES OR THE LIKE

[75] Inventors: Ronald Carluccio, Berkeley Heights; Frank Antonacci, Mountainside, both of N.J.

[73] Assignee: Cutless Associates, Inc., New Providence, N.J.

[\*\*] Term: 14 Years

[21] Appl. No.: 739,886

[22] Filed: May 31, 1985

[52] U.S. Cl. .... D28/73; D6/567

[58] Field of Search ..... D28/9, 10, 12, 13, 17-19, D28/38, 73, 99; 132/1 R, 79 R; 219/242; D6/524, 513, 526, 553, 567; 206/581; 211/70.6, 70.1

[56] References Cited

U.S. PATENT DOCUMENTS

D. 187,772	4/1960	Gensmer	.....	D28/73
D. 248,910	8/1978	DeFilippo	.....	D6/513
D. 287,916	1/1987	Delgarbino et al.	.....	D6/567
3,685,660	8/1972	Saunders	.....	211/70.1
3,737,131	6/1973	Larson	.....	211/70.6

4,412,618 11/1983 LaConte ..... 206/581

FOREIGN PATENT DOCUMENTS

8837 of 1891 United Kingdom .

OTHER PUBLICATIONS

EPI Acrylicware Catalog p. 11-Item 1501 at bottom right.

Primary Examiner—Louis S. Zarfes

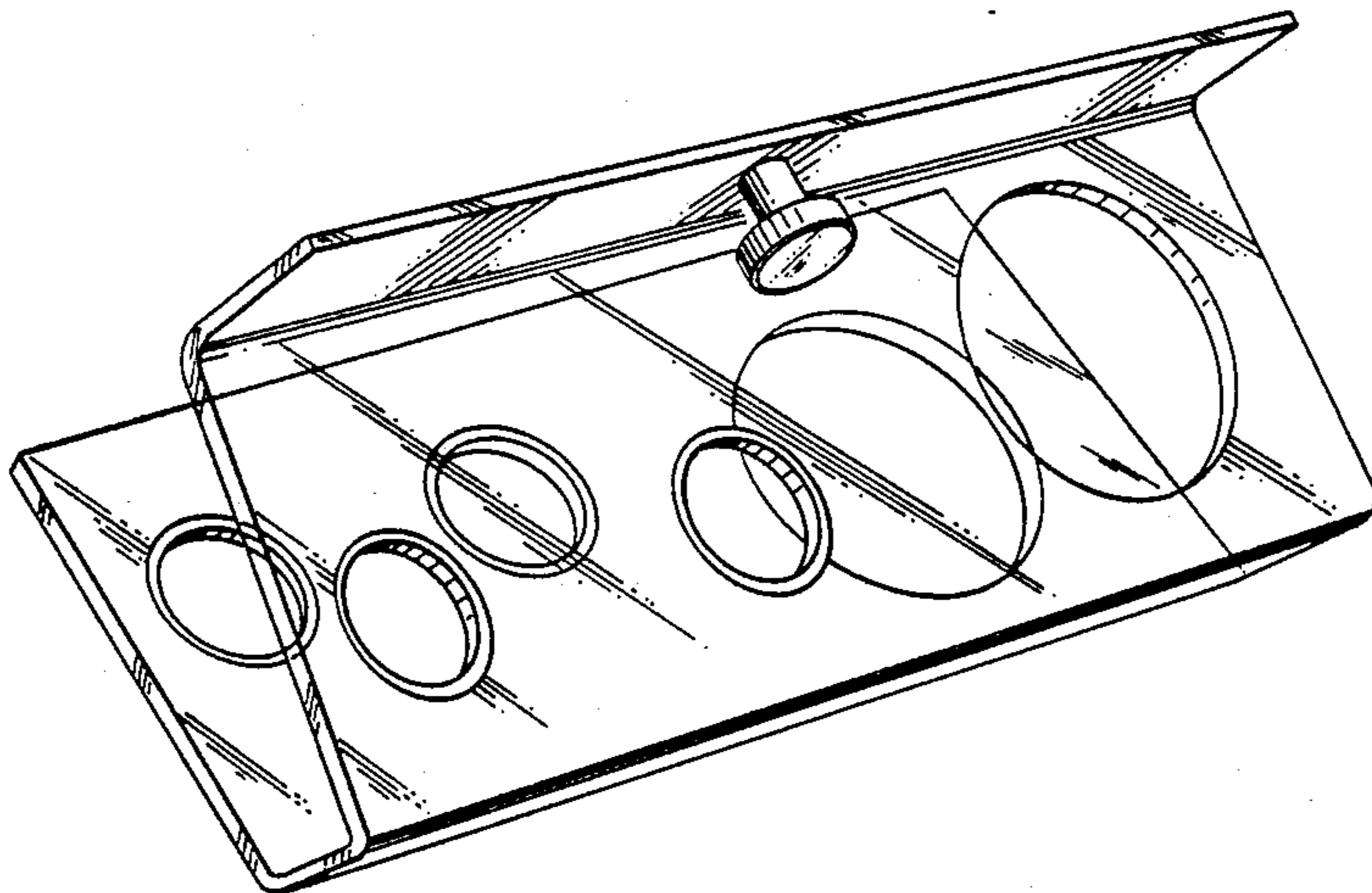
Attorney, Agent, or Firm—Lerner, David, Littenberg, Krumholz & Mentlik

[57] CLAIM

The ornamental design for a holder for hairstyling appliances or the like, substantially as shown and described.

DESCRIPTION

FIG. 1 is a perspective view of a holder for hairstyling appliances or the like showing our new design; FIG. 2 is a front elevational view thereof; FIG. 3 is a rear elevational view thereof; FIG. 4 is a left side elevational view thereof; FIG. 5 is a right side elevational view thereof; FIG. 6 is a top plan view thereof; and FIG. 7 is a bottom plan view thereof.



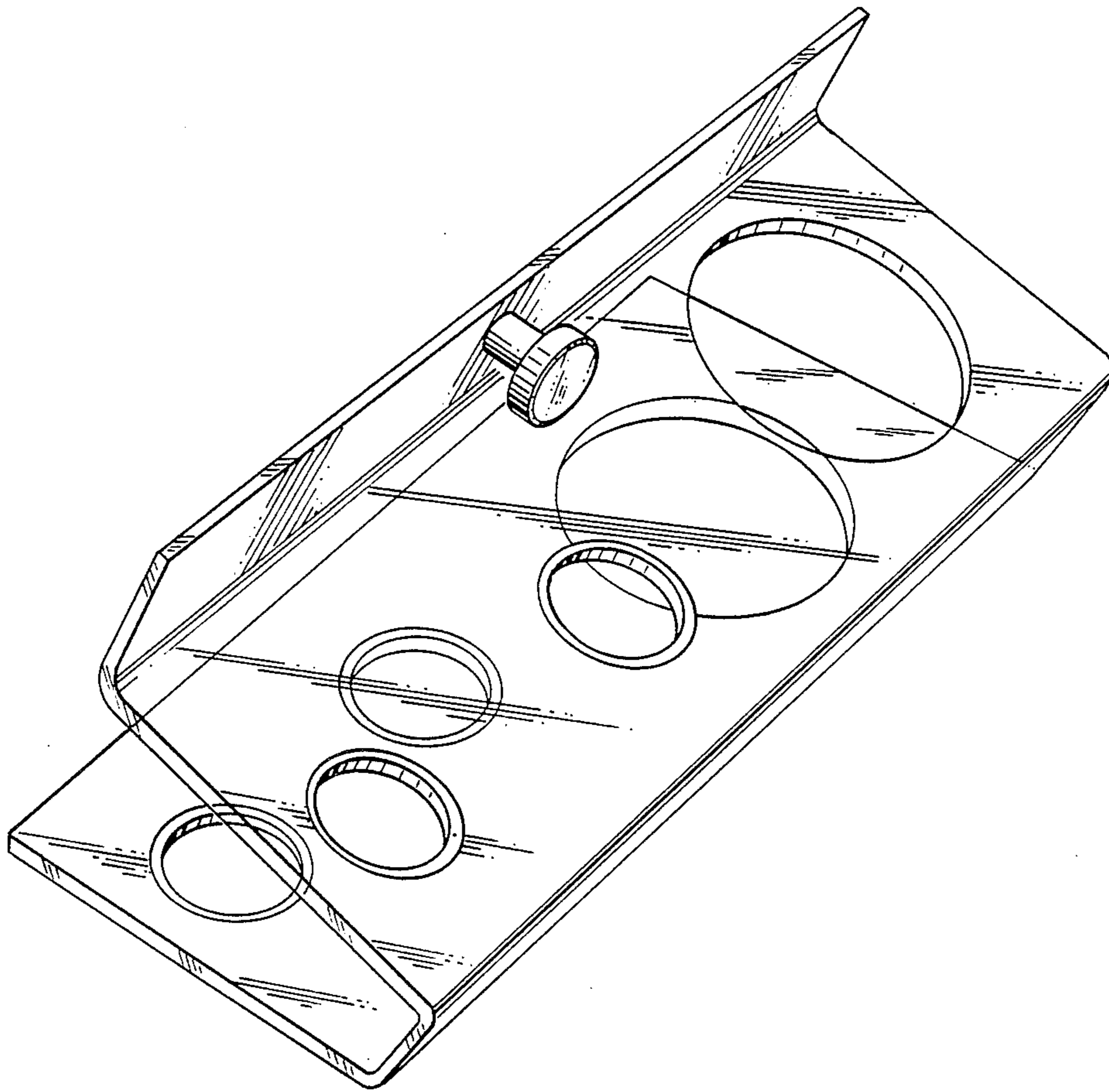


FIG. 1

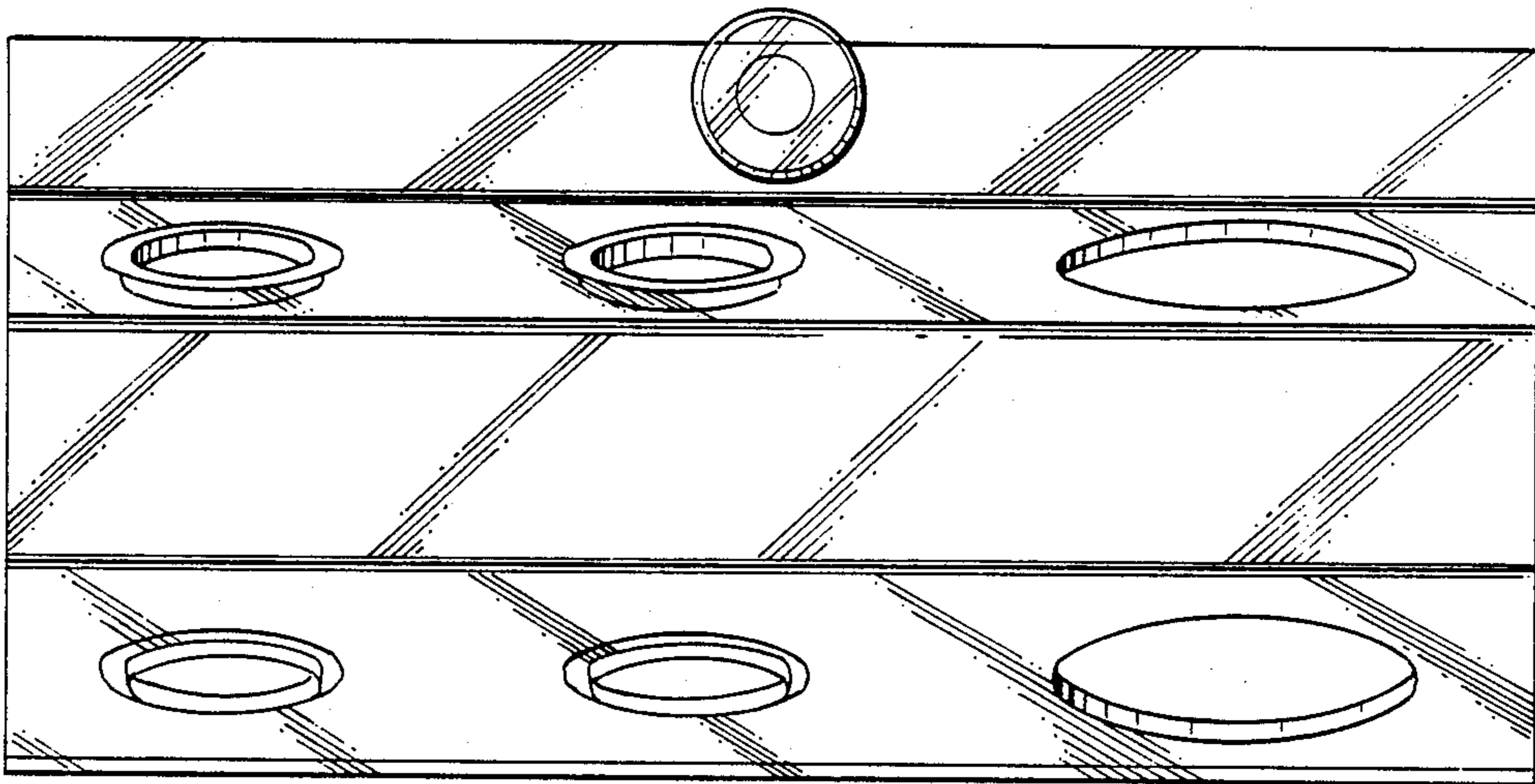


FIG. 2

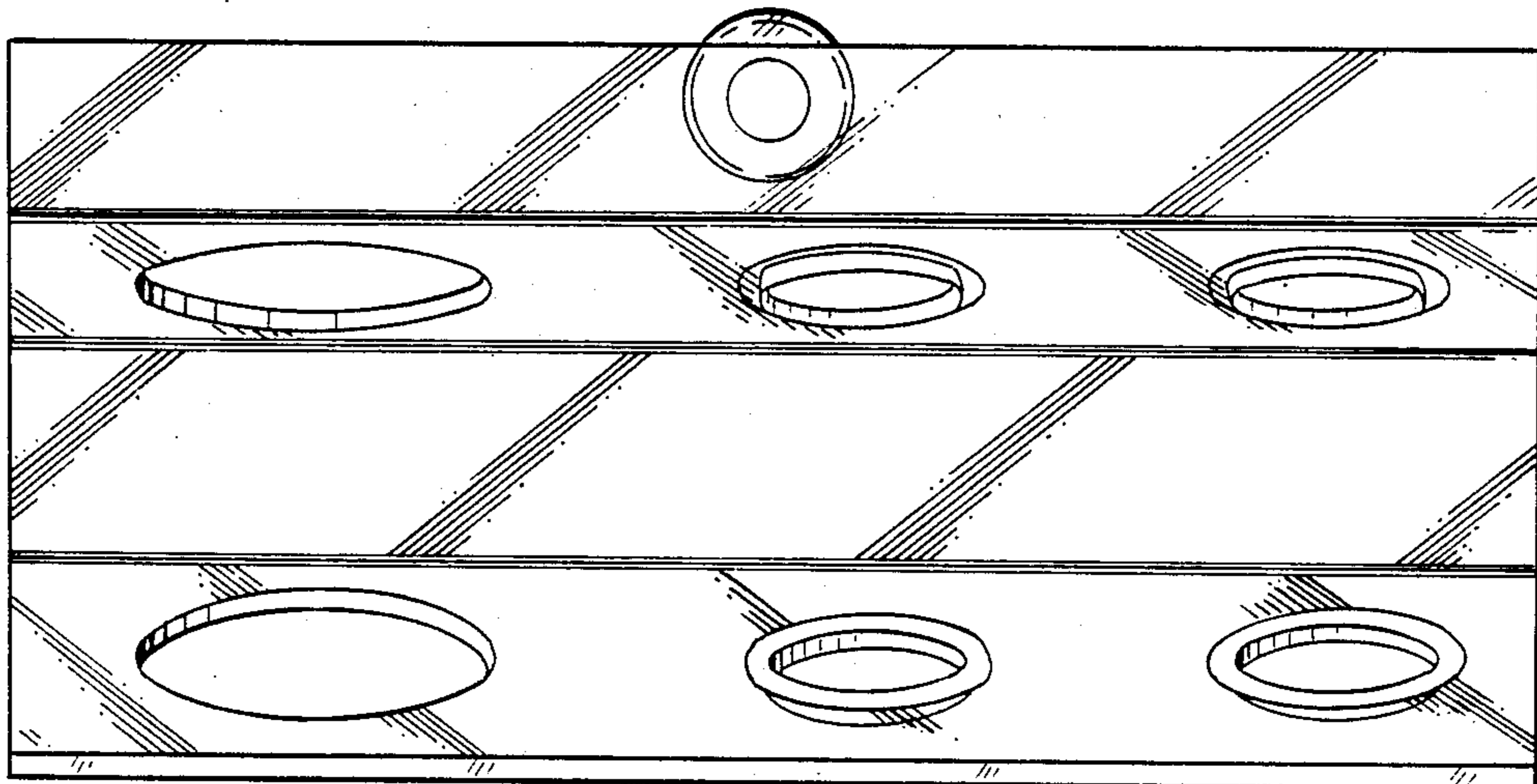


FIG. 3

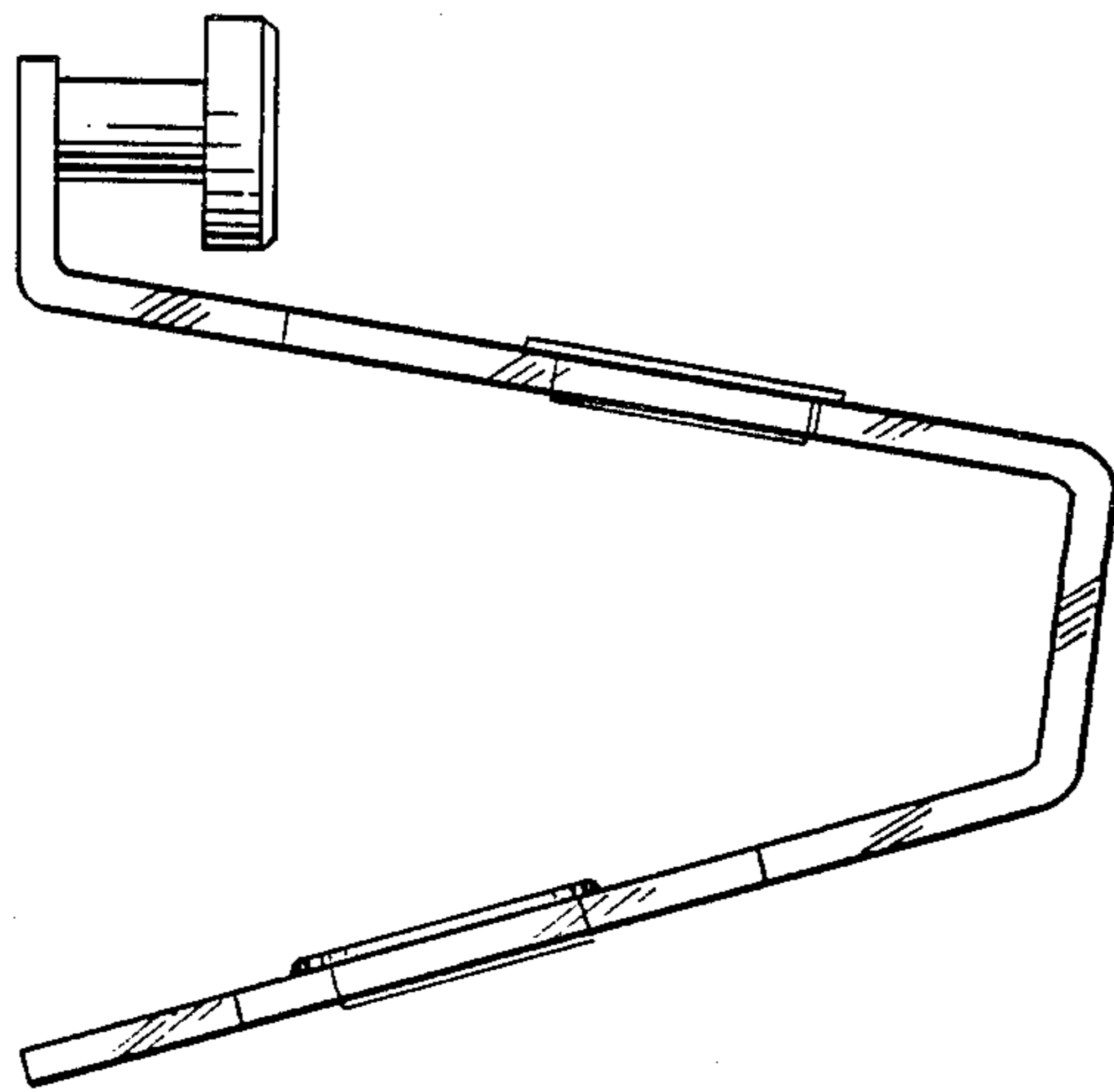


FIG. 4

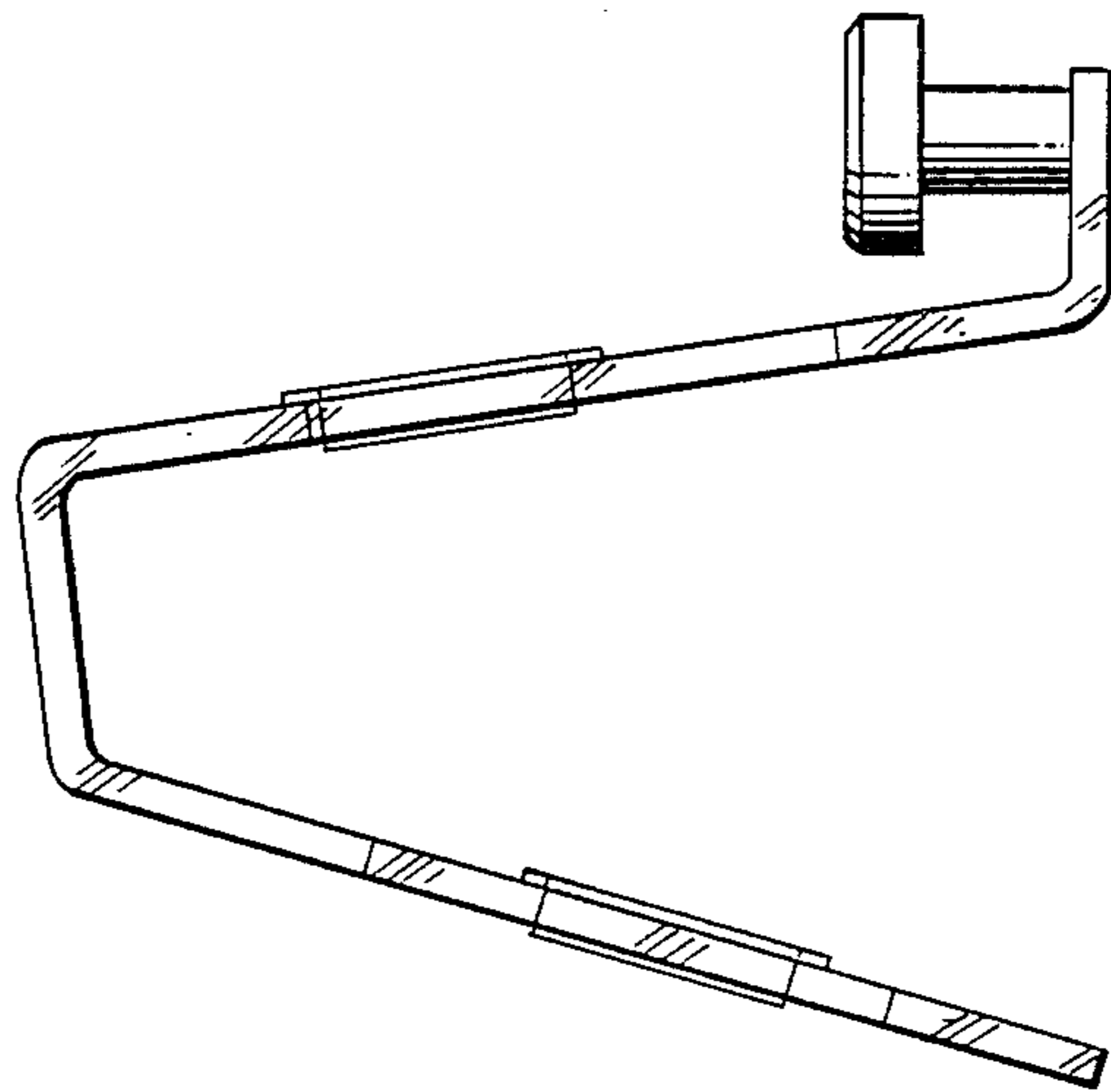


FIG. 5

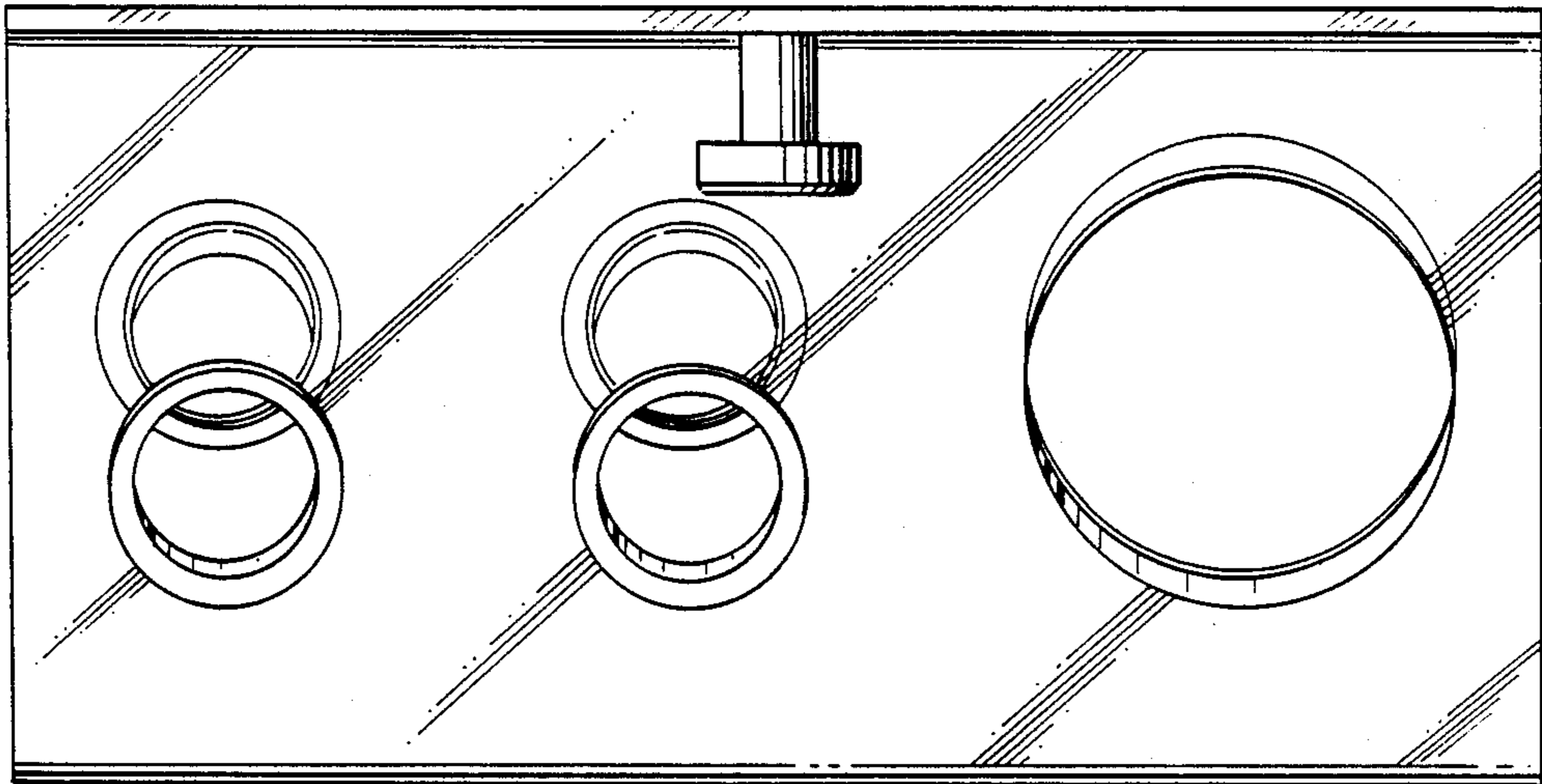


FIG. 6

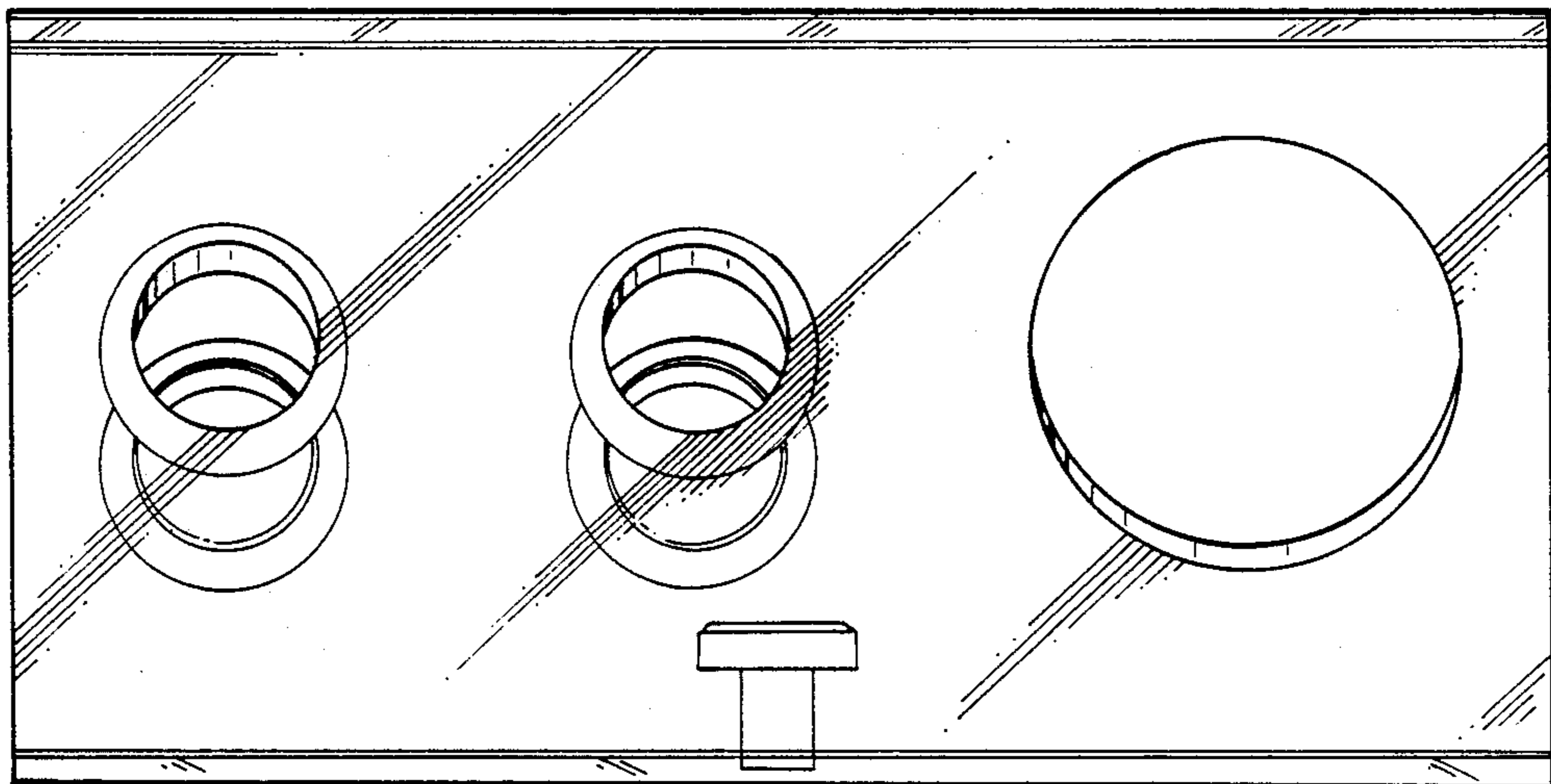


FIG. 7