

United States Patent [19]

Ewing et al.

[11] Patent Number: **Des. 294,523**

[45] Date of Patent: **** Mar. 1, 1988**

[54] AREA LIGHT

[75] Inventors: **Robert L. Ewing; John W. Harvey; Richard G. Armstrong**, all of Newark, Ohio; **Randall P. Crothers**, Littleton, Colo.

[73] Assignee: **Manville Corporation**, Denver, Colo.

[*] Notice: The portion of the term of this patent subsequent to Jan. 12, 2002 has been disclaimed.

[**] Term: **14 Years**

[21] Appl. No.: **823,882**

[22] Filed: **Jan. 29, 1986**

[52] U.S. Cl. **D26/71**

[58] Field of Search **D26/68-71;**
362/431, 362, 363, 300, 296, 297, 307, 311, 310,
217

[56] References Cited

U.S. PATENT DOCUMENTS

D. 233,852 12/1974 Czellath et al. D26/71
D. 272,475 1/1984 Yahraus D26/71

OTHER PUBLICATIONS

Architectural Record, 10-1976, p. 197, AAL Pendant Lighting Fixture, square and cylinder.
Crouse-Hinds ad., Site Luminaire.
Dual-lite, Beamsplitter™ ad, Wall Mounted Fixture.

Primary Examiner—Susan J. Lucas
Attorney, Agent, or Firm—John D. Lister; Cornelius P. Quinn

[57] CLAIM

The ornamental design for an area light, as shown and described.

DESCRIPTION

FIG. 1 is a front perspective view of an area light showing our new design.
FIG. 2 is a side elevational view thereof on an enlarged scale, the rear and opposite side being mirror images;
FIG. 3 is a top plan view thereof on an enlarged scale.

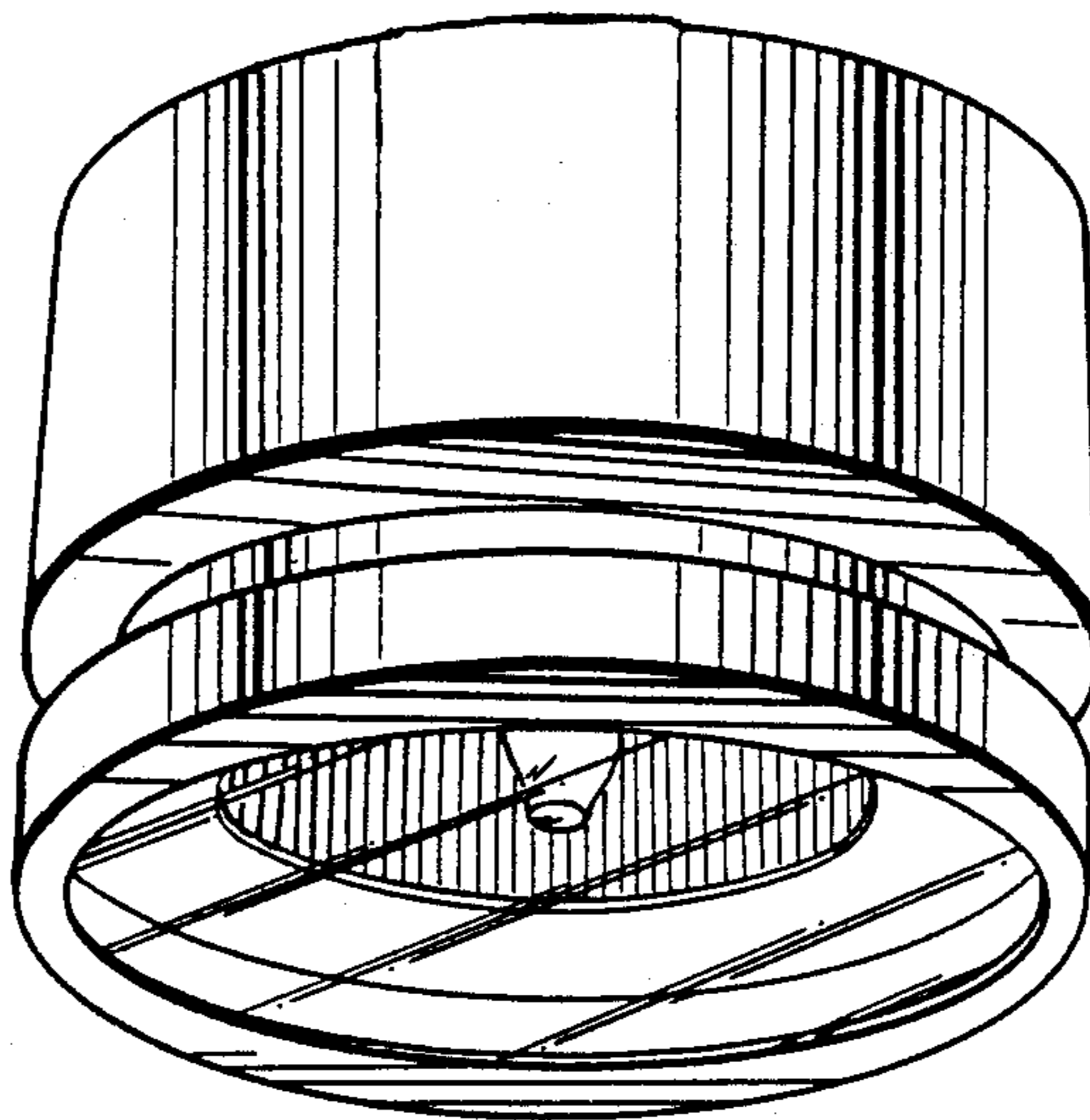


Fig. 1.

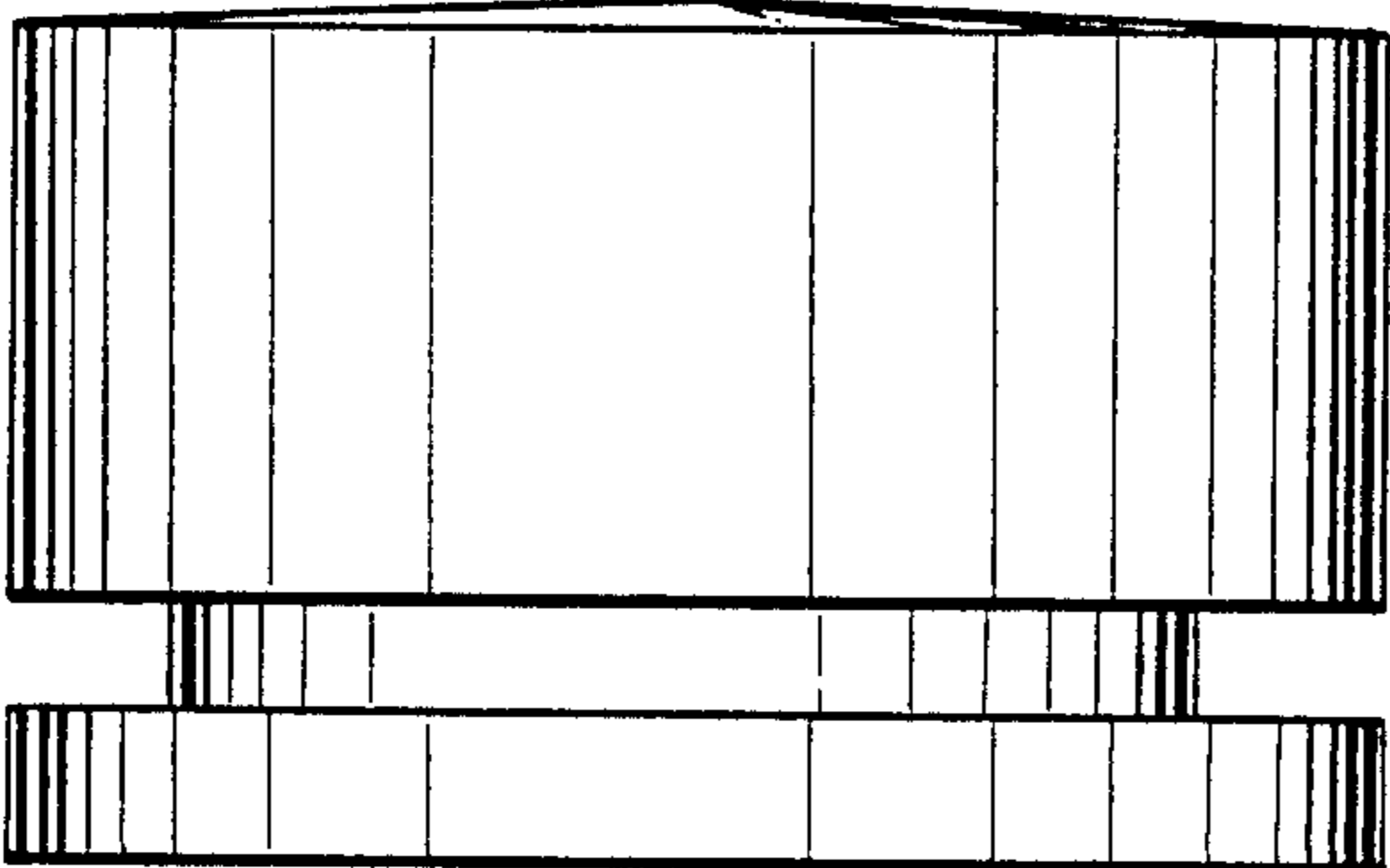
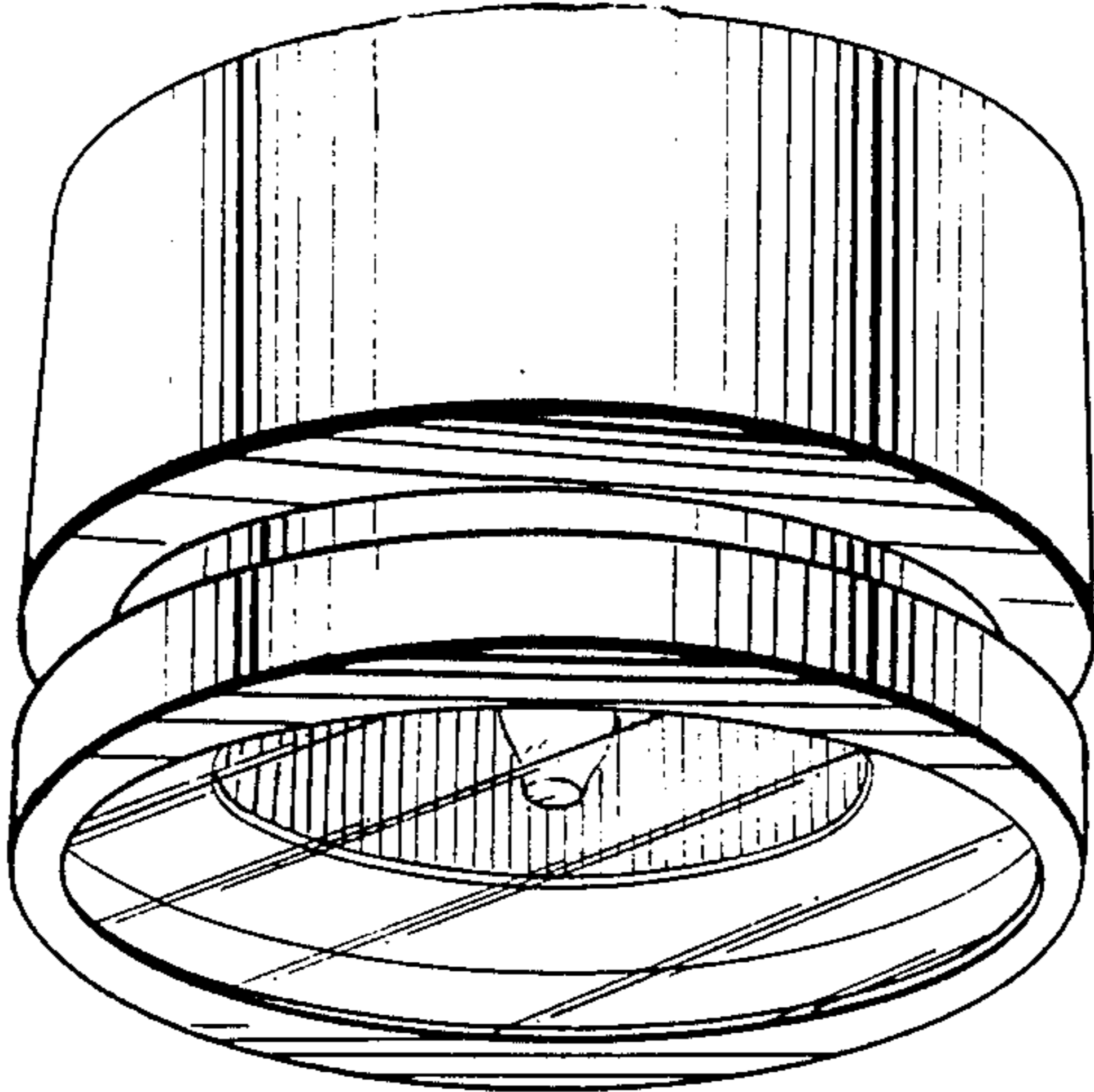


Fig. 2.

Fig. 3.

