

[54] FAST SERVICE RESTAURANT BUILDING

[76] Inventor: Larry D. Adcock, 2997-A N. Stemmons, Lewisville, Tex. 75067

[**] Term: 14 Years

[21] Appl. No.: 720,682

[22] Filed: Apr. 8, 1985

[52] U.S. Cl. D25/1; D25/33; D25/59

[58] Field of Search D25/1, 22, 27, 56, 59, D25/33; D20/10, 39, 42

[56] References Cited

U.S. PATENT DOCUMENTS

- 91,044 11/1933 Urbanek .
- D. 97,165 10/1935 Regester D20/10
- 97,516 11/1935 Ward .
- D. 109,209 4/1938 Crouch .
- D. 111,335 9/1938 Smith D20/39
- D. 118,551 1/1940 Beidler .
- D. 151,457 10/1948 Krueger et al. D25/1
- D. 152,277 1/1949 Manville .
- D. 161,797 1/1951 Smith D20/10
- D. 168,144 11/1952 Cooper et al. .
- D. 172,973 9/1954 Kane .
- D. 174,520 4/1955 Triantafillou et al. .
- D. 181,578 12/1957 Clark .
- D. 194,304 1/1963 Cobbe .
- D. 197,766 3/1964 Roxburgh .
- 215,136 9/1969 Schoenfeld .
- 225,288 11/1972 Dowsett .
- 233,917 12/1974 Laughner .
- 235,587 6/1975 Muse .
- 250,837 1/1979 Lahaie .

- 250,842 1/1979 Fraley .
- 254,751 4/1980 Adler et al. .
- 261,044 9/1981 Baffo .
- 261,281 10/1981 McDonald .
- 270,763 9/1983 Barthel .
- 272,947 3/1984 Beasley, III .
- 3,717,965 2/1973 Morton et al. .

Primary Examiner—A. Hugo Word
Attorney, Agent, or Firm—Richards, Harris, Medlock & Andrews

[57] CLAIM

The ornamental design for a fast service restaurant building, as shown and described.

DESCRIPTION

FIG. 1 is an upper front corner perspective view of a fast service restaurant building;
 FIG. 2 is a top plan view thereof;
 FIG. 3 is a front elevational view thereof;
 FIG. 4 is a left side elevational view thereof, the right side being a mirror image of the left side;
 FIG. 5 is a lower front corner perspective view of a modified embodiment of a fast service restaurant building of the design invention;
 FIG. 6 is a front elevational view of the modification of FIG. 5;
 FIG. 7 is a top plan view of the modification of FIG. 5;
 FIG. 8 is a left side elevational view of the modification of FIG. 5; and
 FIG. 9 is a right side elevational view of the modification shown in FIG. 5.
 The broken line showing of indicia is for purposes of illustration only and to show the environment of the invention.

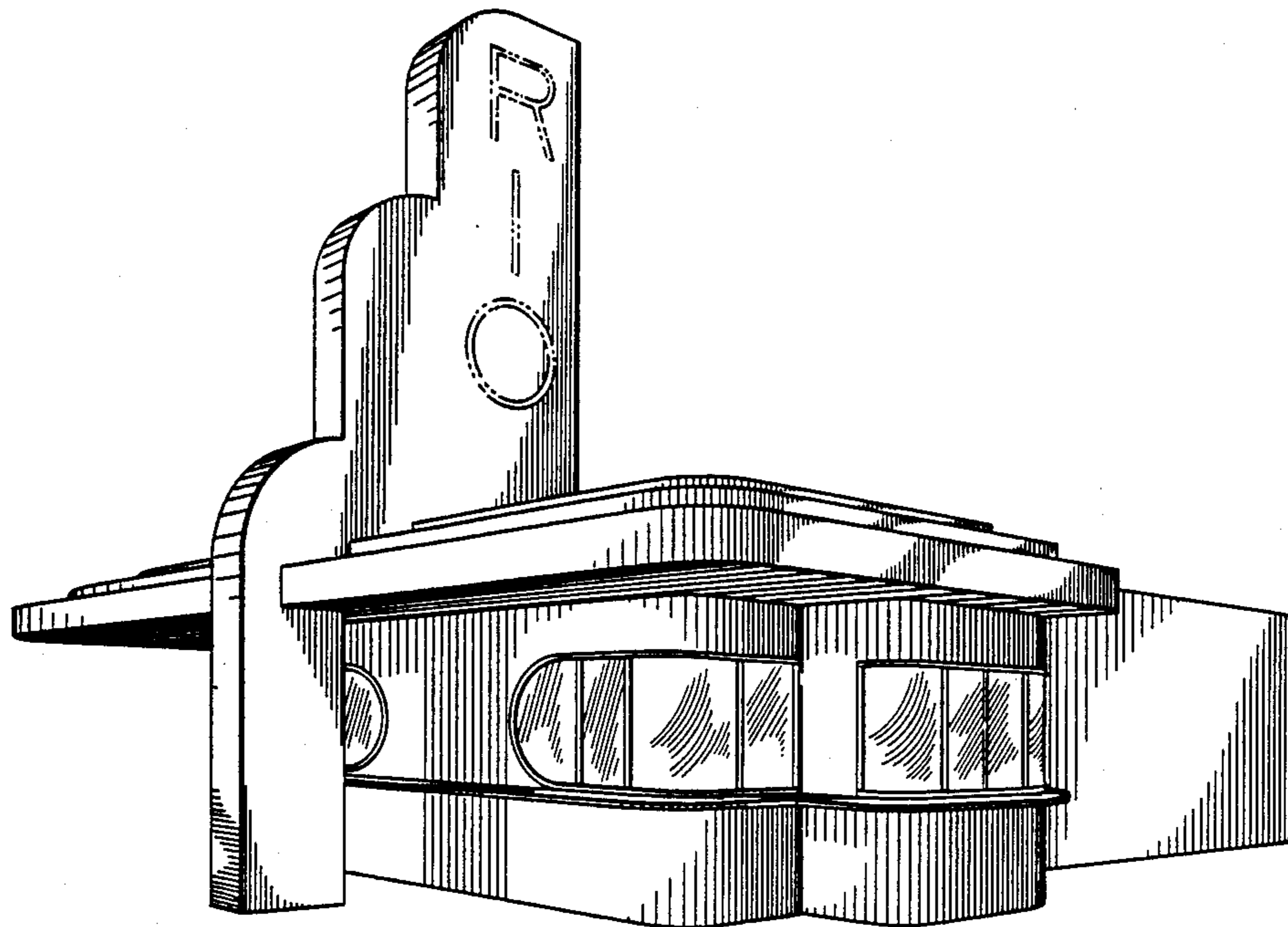


FIG. 1

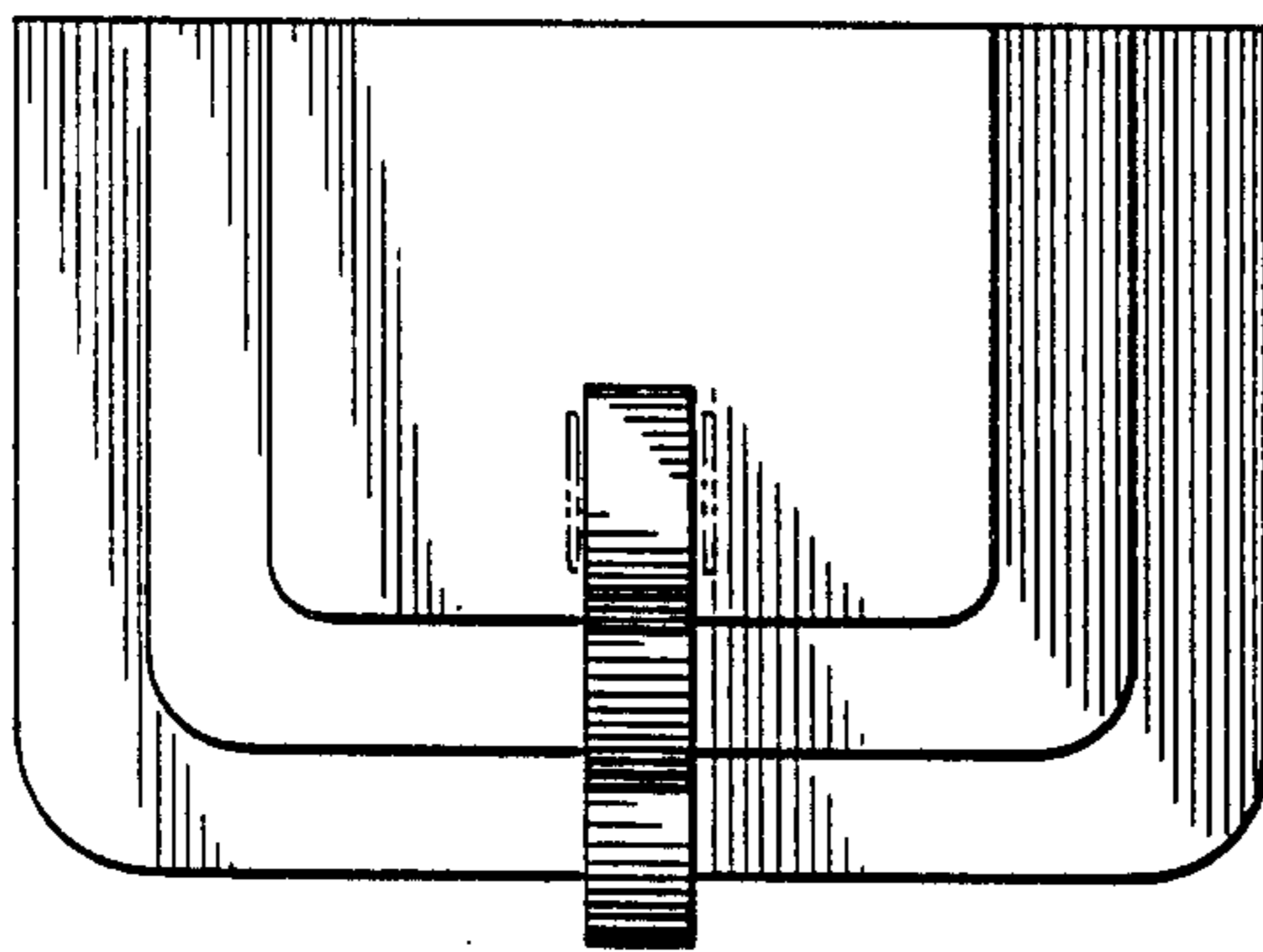
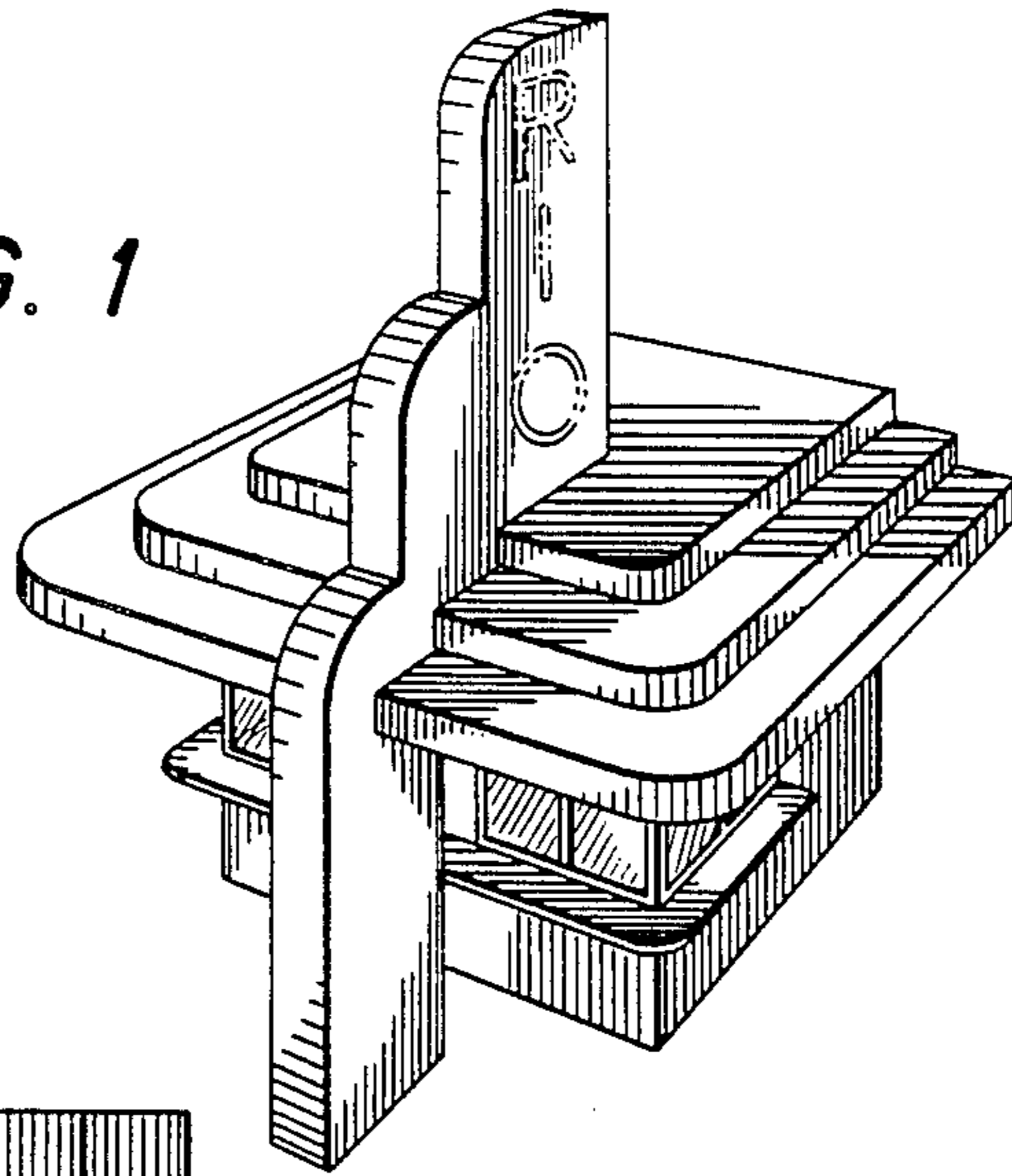


FIG. 2

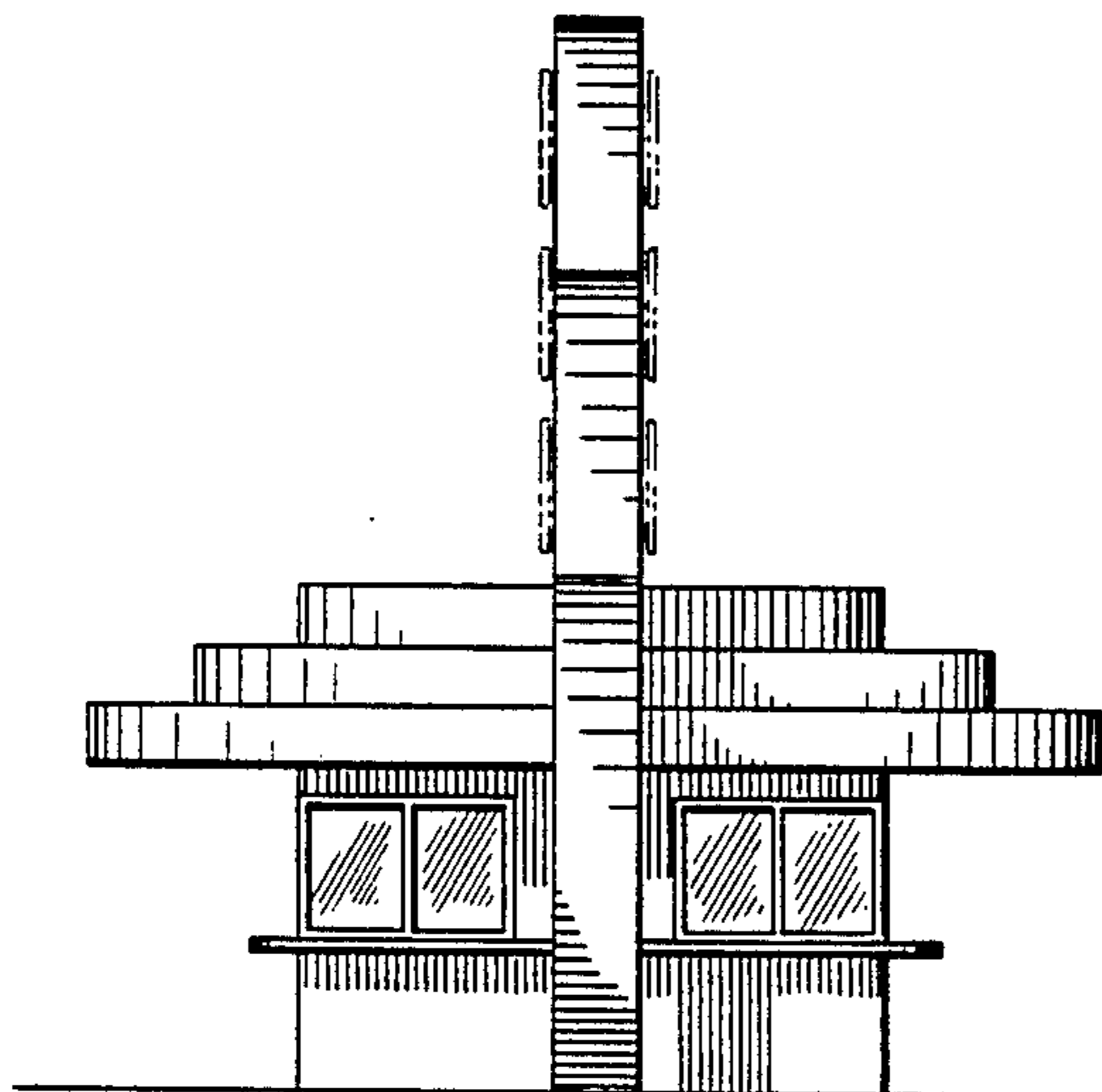


FIG. 3

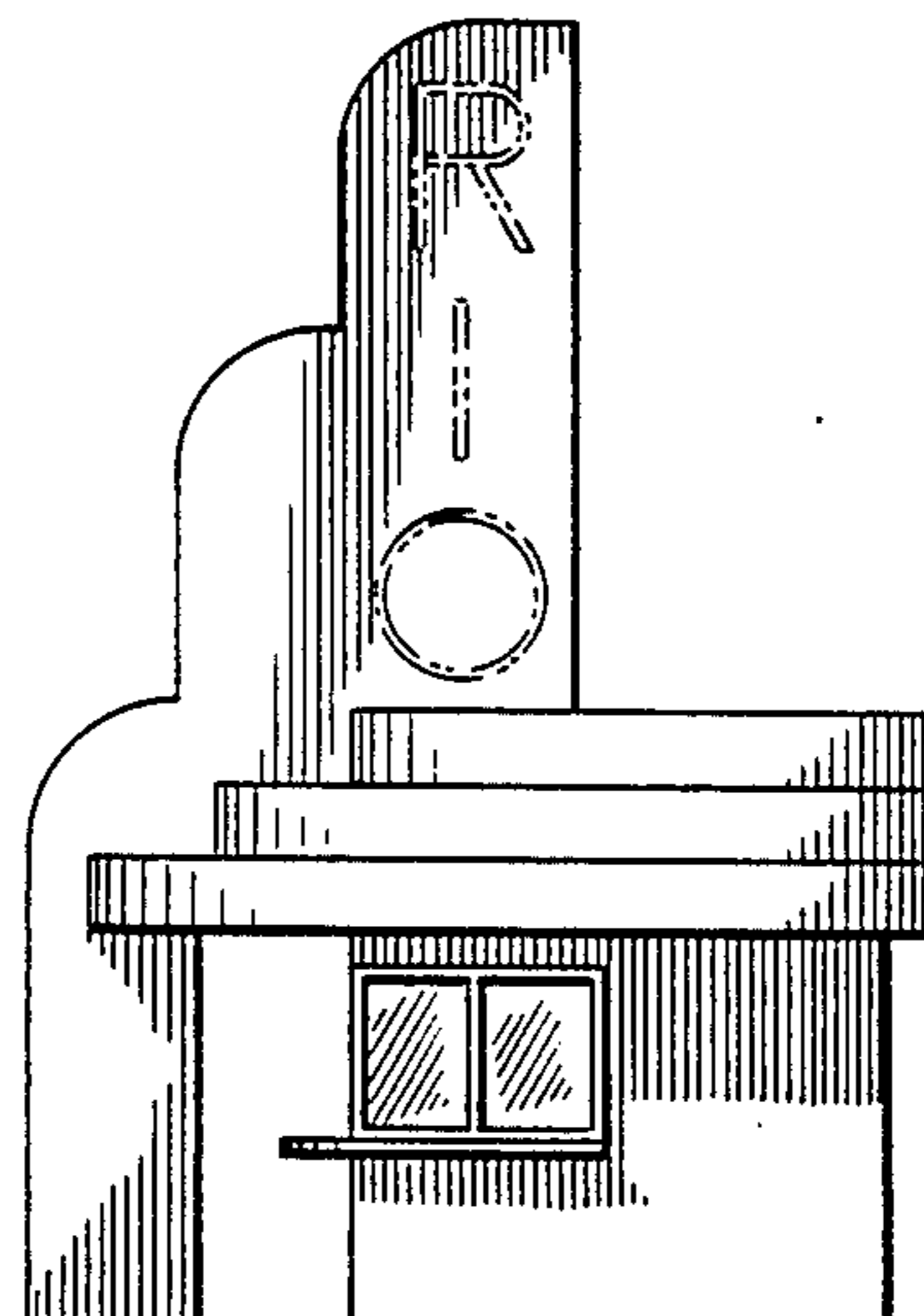


FIG. 4

FIG. 5

