

[54] SPA

[76] Inventors: Robert V. Willich; Robert Morrow, both of 870 Wilco Rd., Stayton, Oreg. 97383

[**] Term: 14 Years

[21] Appl. No.: 683,638

[22] Filed: Dec. 19, 1984

[52] U.S. Cl. D24/38; D24/36

[58] Field of Search D24/38, 36, 37; 4/488, 4/506, 513, 542, 541, 590, 592, 611-614; D23/55, 56

[56] References Cited

U.S. PATENT DOCUMENTS

- D. 245,542 8/1977 Melcior D24/38
- D. 254,571 3/1980 Reineman D23/55 X

OTHER PUBLICATIONS

Spa & Sauna Trade Journal, Sep. 1983, 8'x7'7" Heart Spa, p. 63.

Primary Examiner—A. Hugo Word
Assistant Examiner—Stella M. Reid
Attorney, Agent, or Firm—Charles N. Hilke

[57] CLAIM

The ornamental design for a spa, substantially as shown and described.

DESCRIPTION

FIG. 1 is a front, top perspective view of a spa showing our new design;
 FIG. 2 is a back top perspective view thereof;
 FIG. 3 is a top plan view thereof;
 FIG. 4 is a bottom plan view thereof;
 FIG. 5 is a back elevational view thereof;
 FIG. 6 is a front elevational view thereof;
 FIG. 7 is a right side elevational view thereof; and
 FIG. 8 is a left side elevational view thereof.

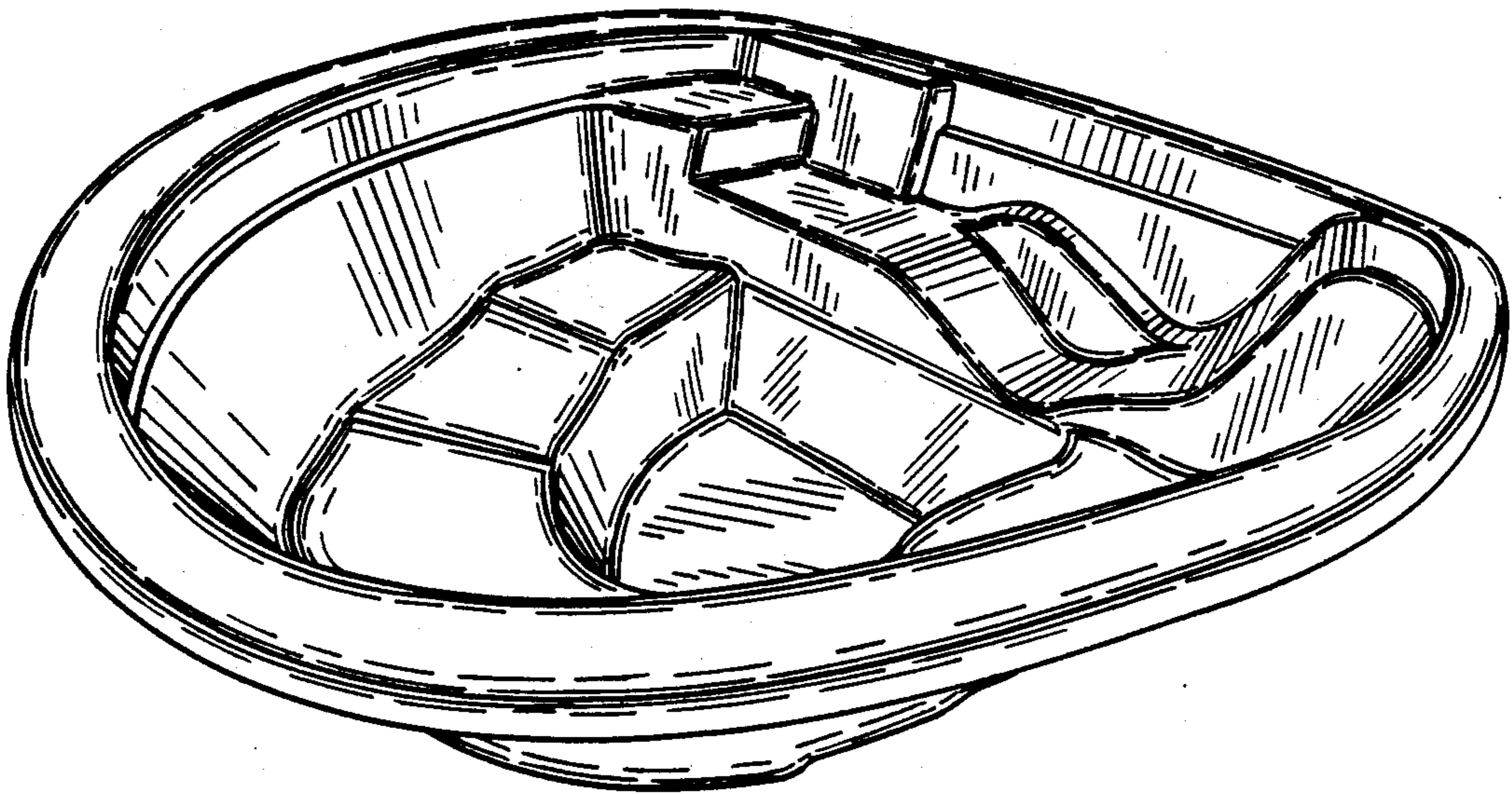


FIG. 1

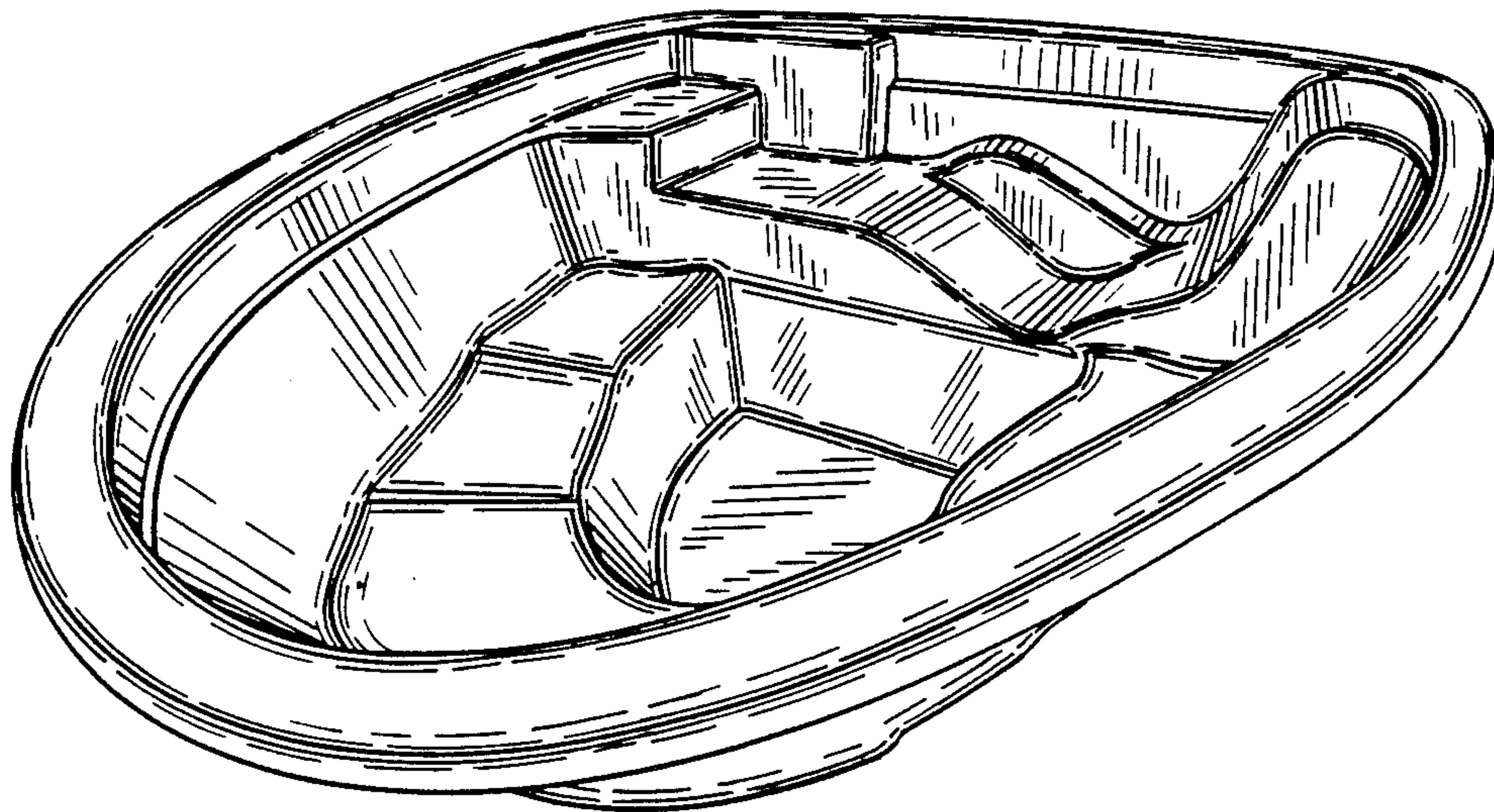
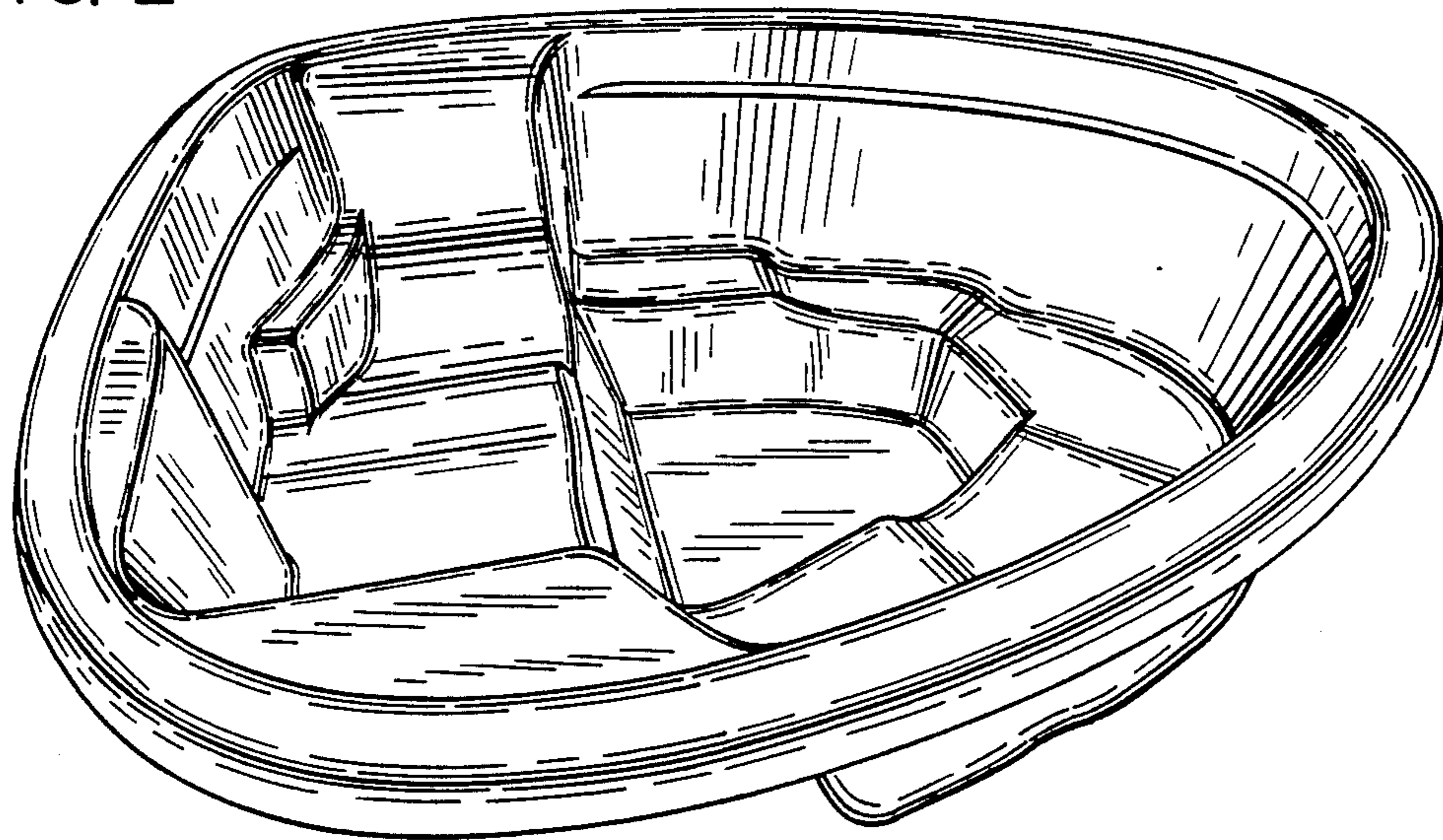


FIG. 2



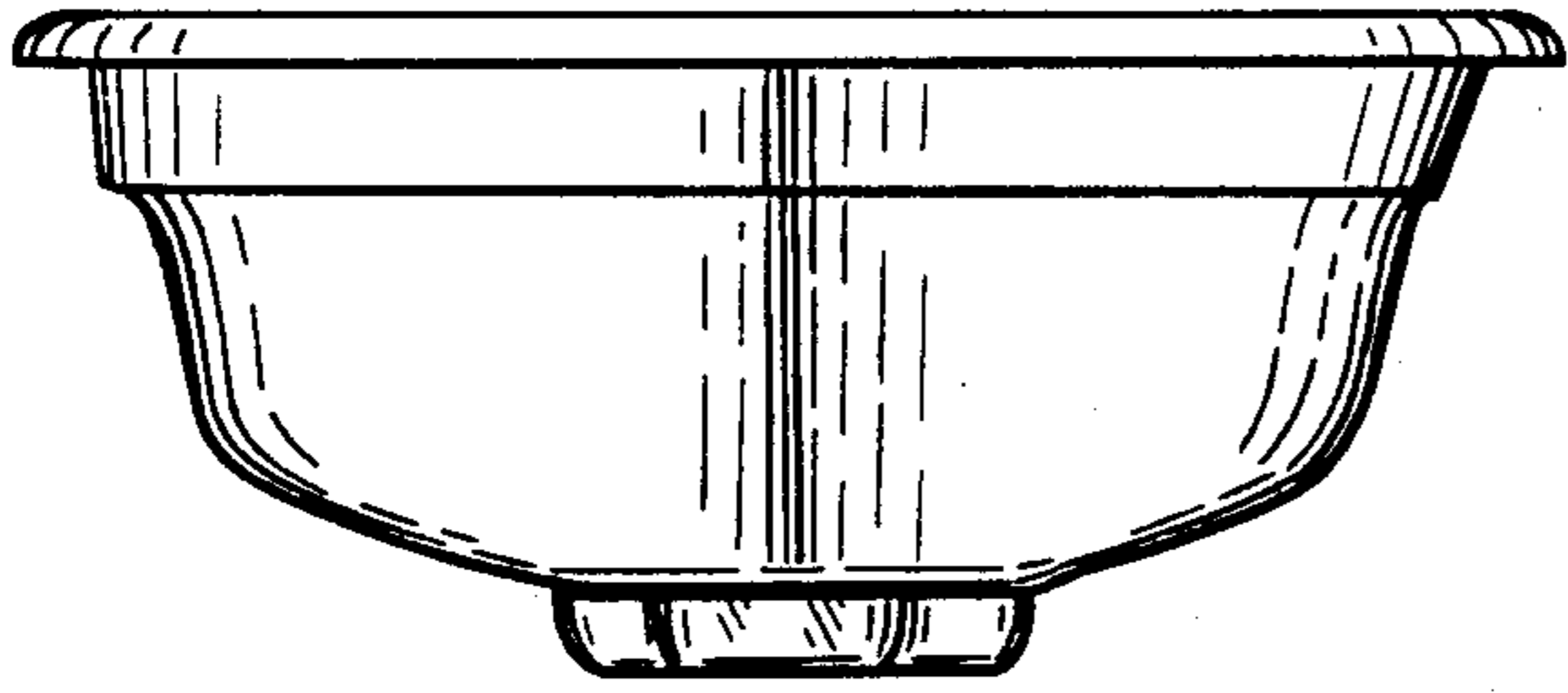


FIG. 3

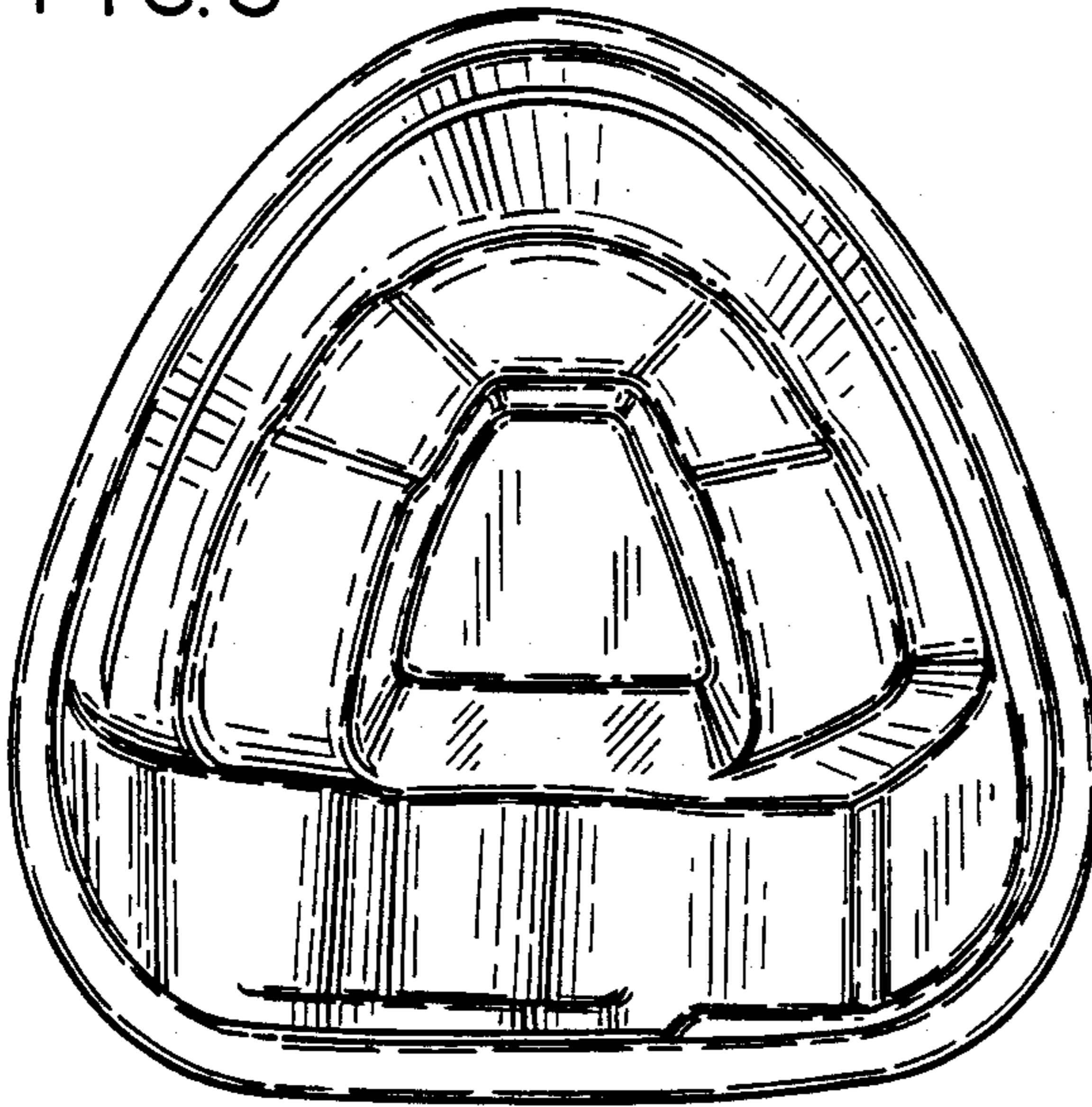


FIG. 5

FIG. 4

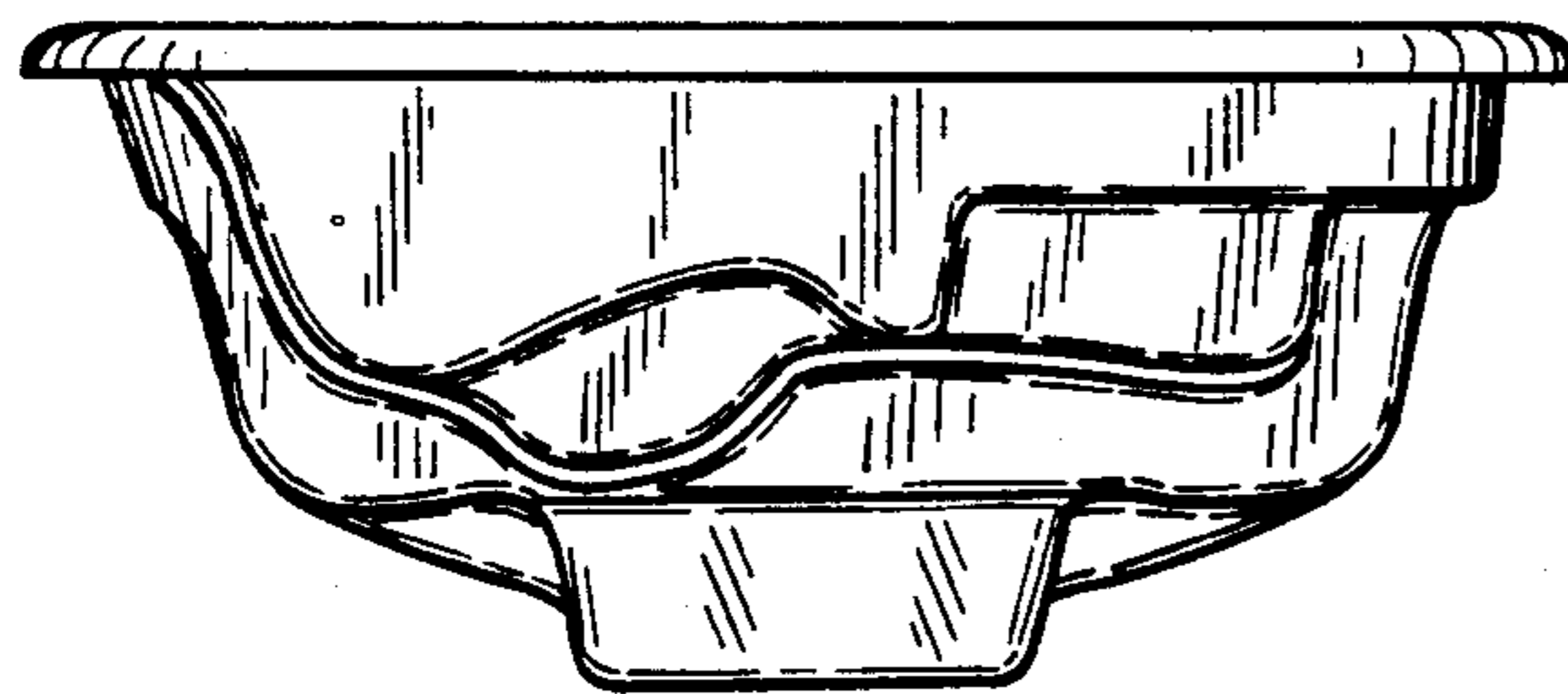
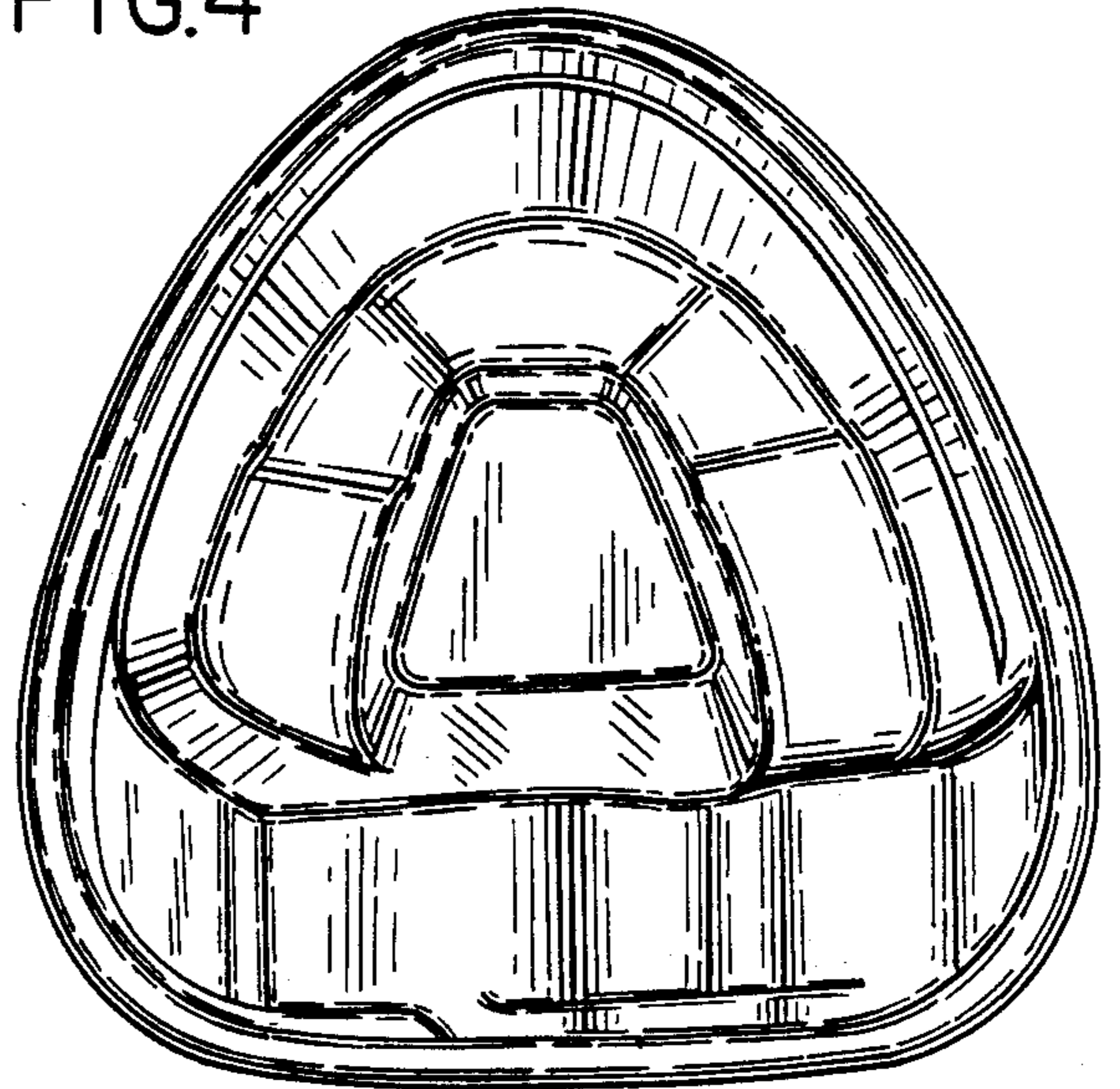


FIG. 6

FIG. 7

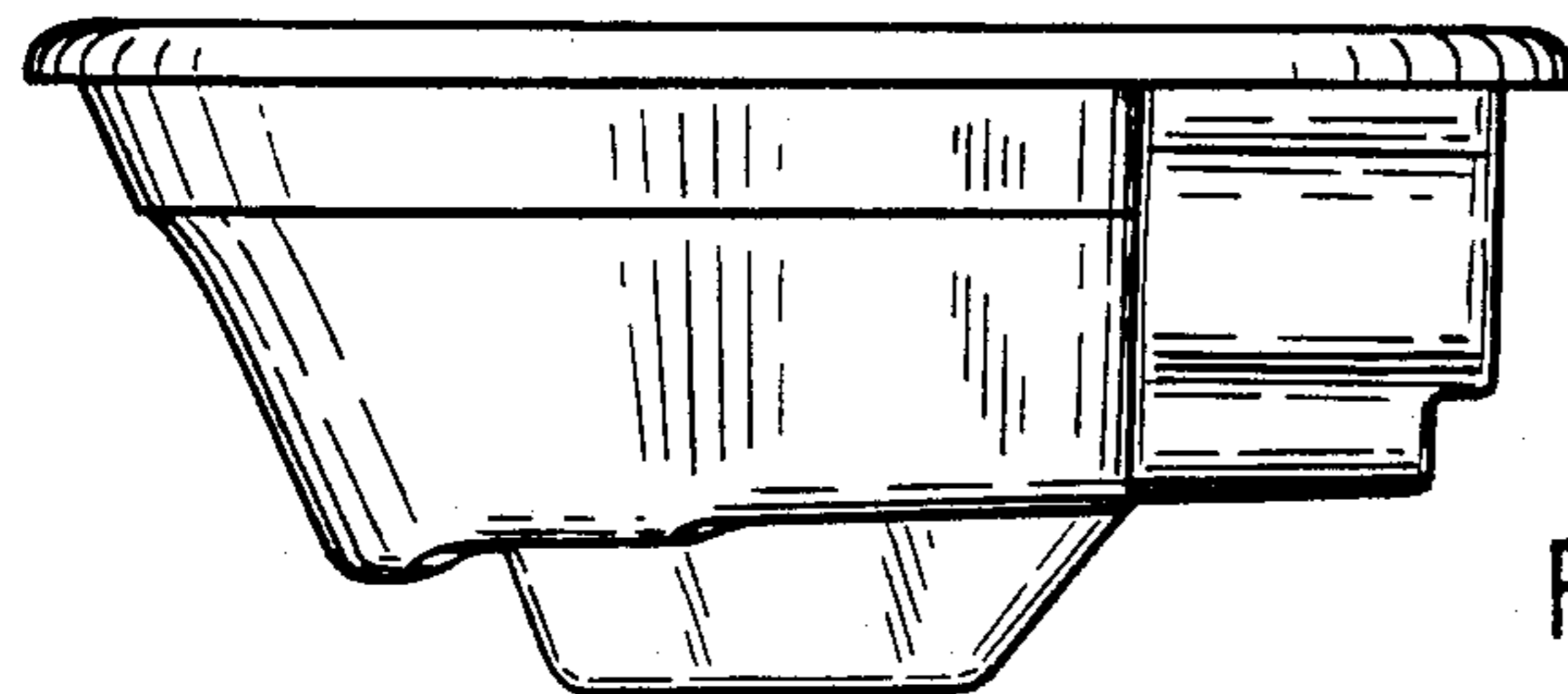
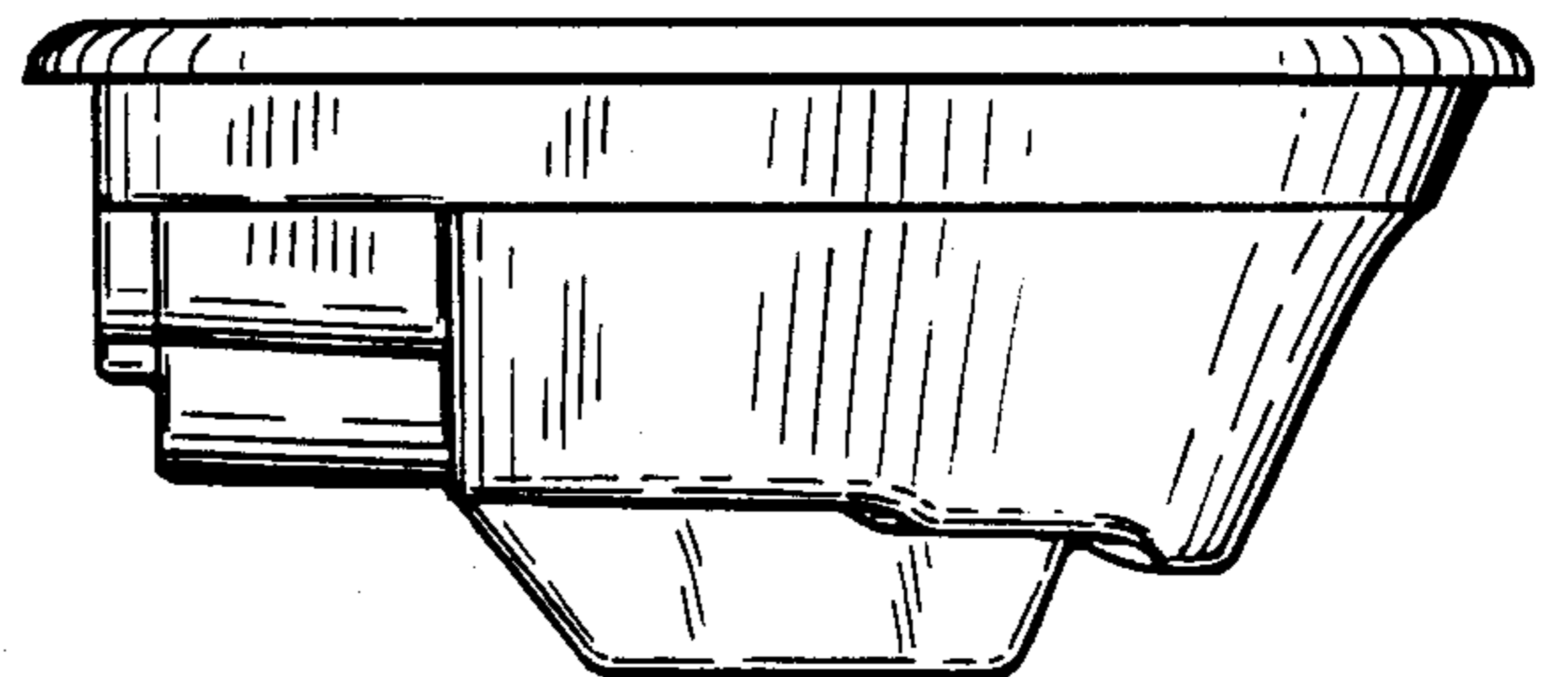


FIG. 8