

[54] COMPARTMENTED PACKAGING CONTAINER FOR DENTAL MATERIALS OR THE LIKE

[75] Inventors: Robert D. Holewinski, Lakehurst; Leslie Hamilton, Trenton, both of N.J.

[73] Assignee: Johnson & Johnson Dental Products, Company, East Windsor, N.J.

[\*\*] Term: 14 Years

[21] Appl. No.: 731,707

[22] Filed: May 8, 1985

[52] U.S. Cl. .... D24/31; D9/347; D9/345; D9/341

[58] Field of Search ..... D9/341, 424, 432, 431, D9/345, 347; D28/76, 77, 83, 99; D3/30.1; D24/31, 32

[56] References Cited

U.S. PATENT DOCUMENTS

- D. 159,157 6/1950 Koester ..... D9/341
- D. 183,379 8/1958 Alley ..... D3/39 X

- D. 256,994 9/1980 MacGregor ..... D9/347
- D. 275,425 9/1984 Briggs ..... D3/39 X
- D. 275,713 9/1984 Bosworth ..... D9/347 X
- D. 280,290 8/1985 Bakus ..... D9/425 X
- D. 280,884 10/1985 Holewinski et al. .... D9/347 X
- D. 282,233 1/1986 Kelley ..... D9/347 X
- D. 282,577 2/1986 Neumeister ..... D24/31 X
- D. 288,233 2/1987 Blatherwick et al. .... D24/31
- D. 288,606 3/1987 Blatherwick et al. .... D24/31

Primary Examiner—Robert C. Spangler

[57] CLAIM

The ornamental design for a compartmented packaging container for dental materials or the like, as shown.

DESCRIPTION

FIG. 1 is a top perspective view of a compartmented packaging container for dental materials or the like showing our new design;

FIG. 2 is a side elevational view, similar to all other elevational views;

FIG. 3 is a top plan view;

FIG. 4 is a bottom plan view; and

FIG. 5 is a view similar to FIG. 1 but showing the cover removed.

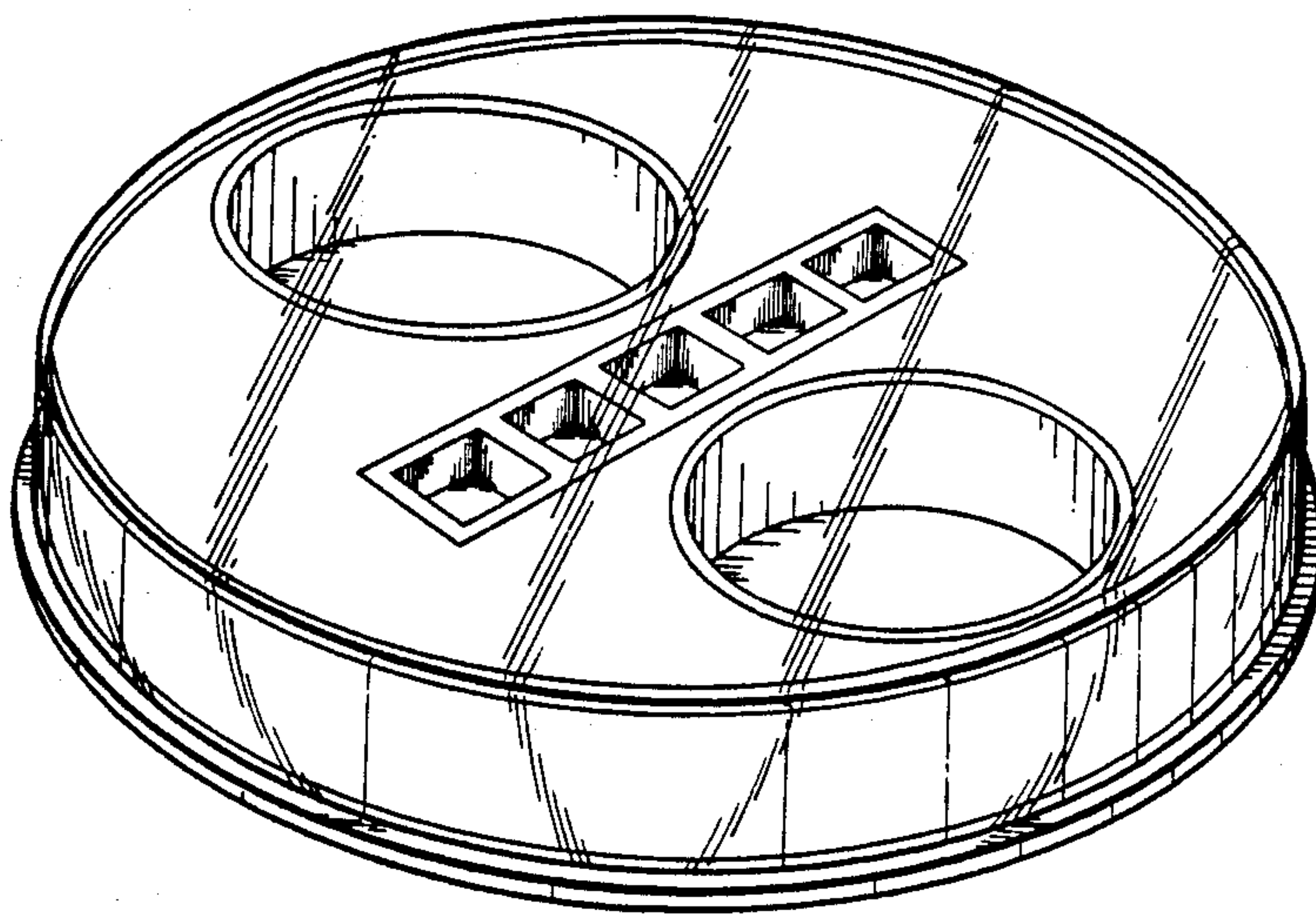


FIG-1

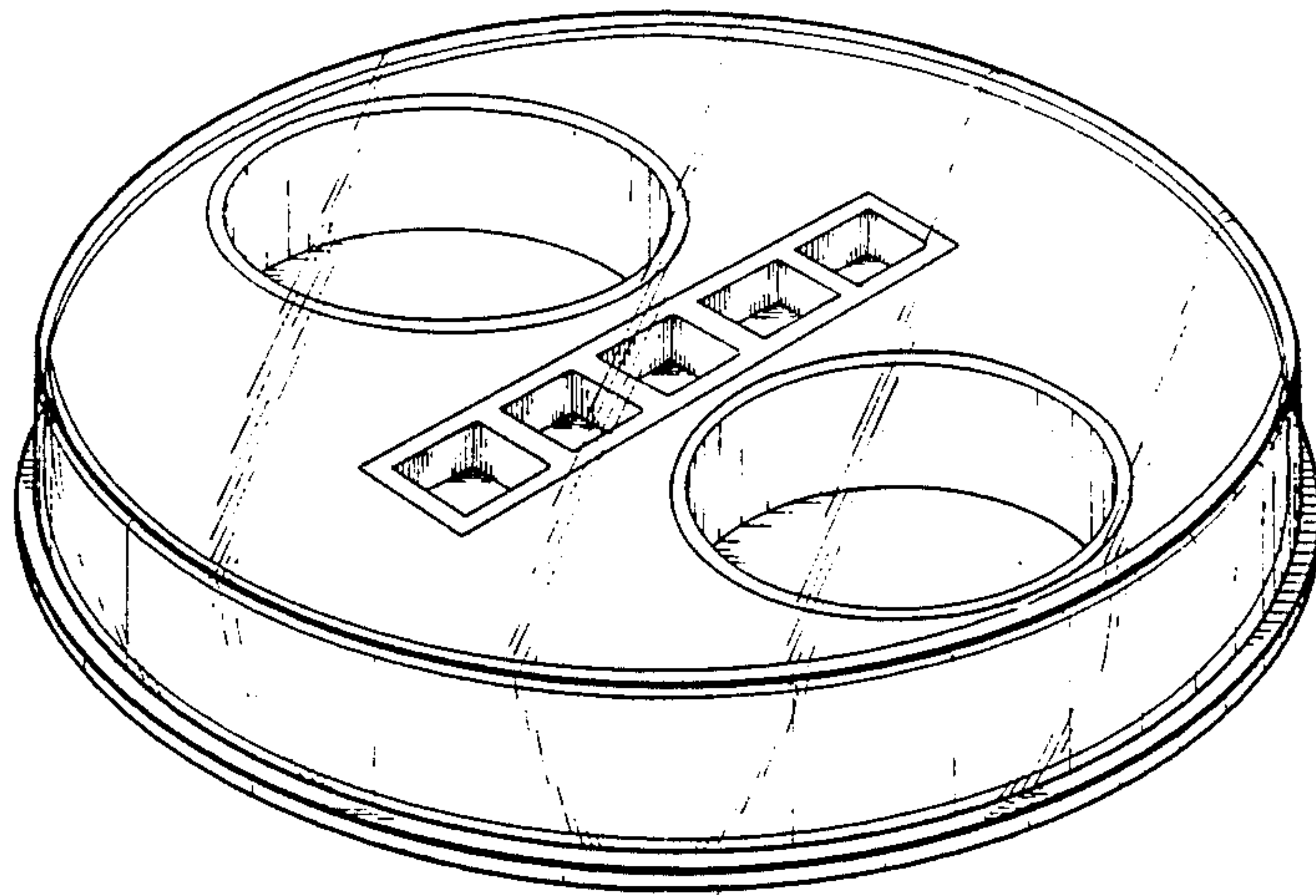


FIG-2



FIG-3

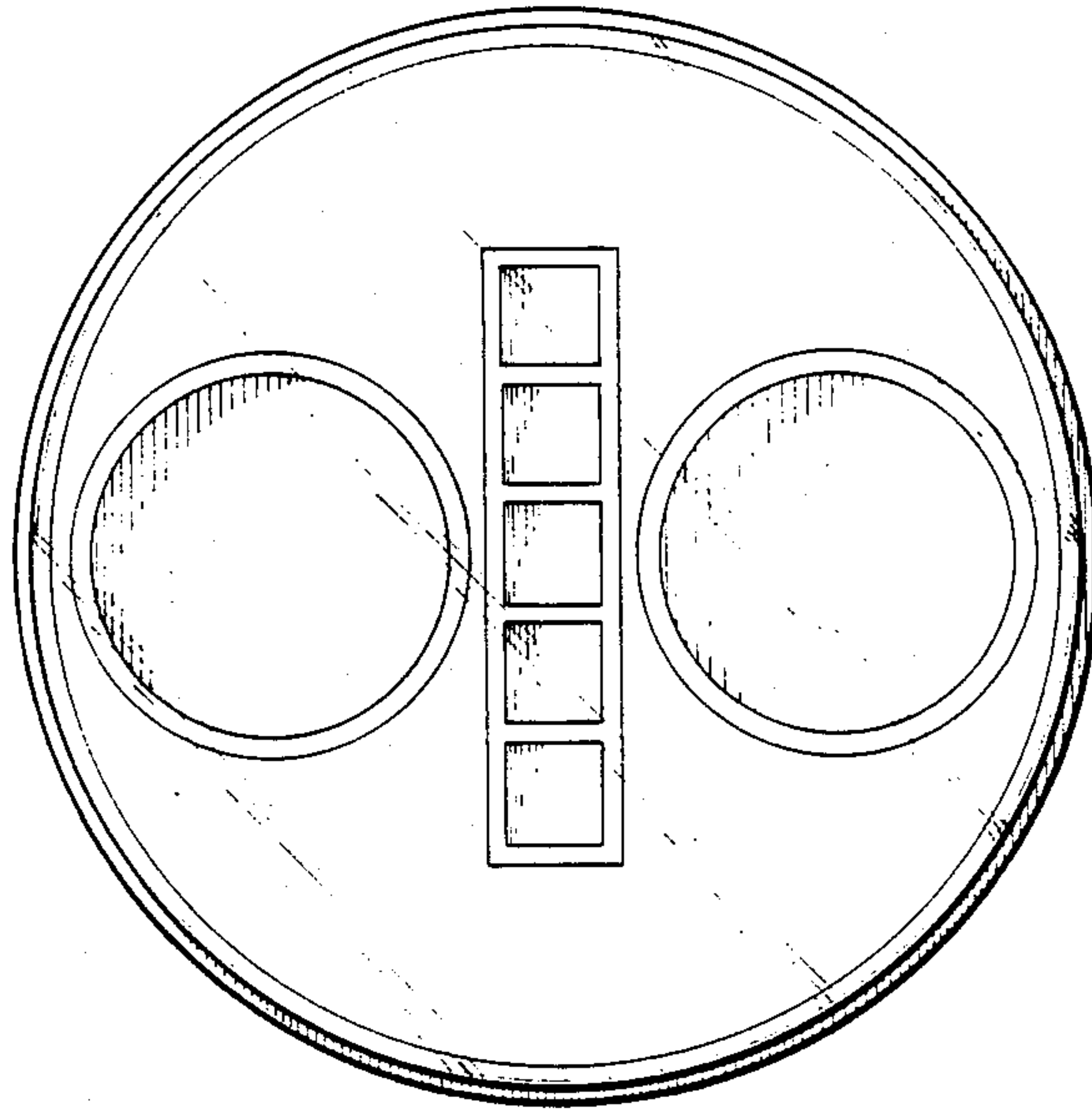


FIG-4

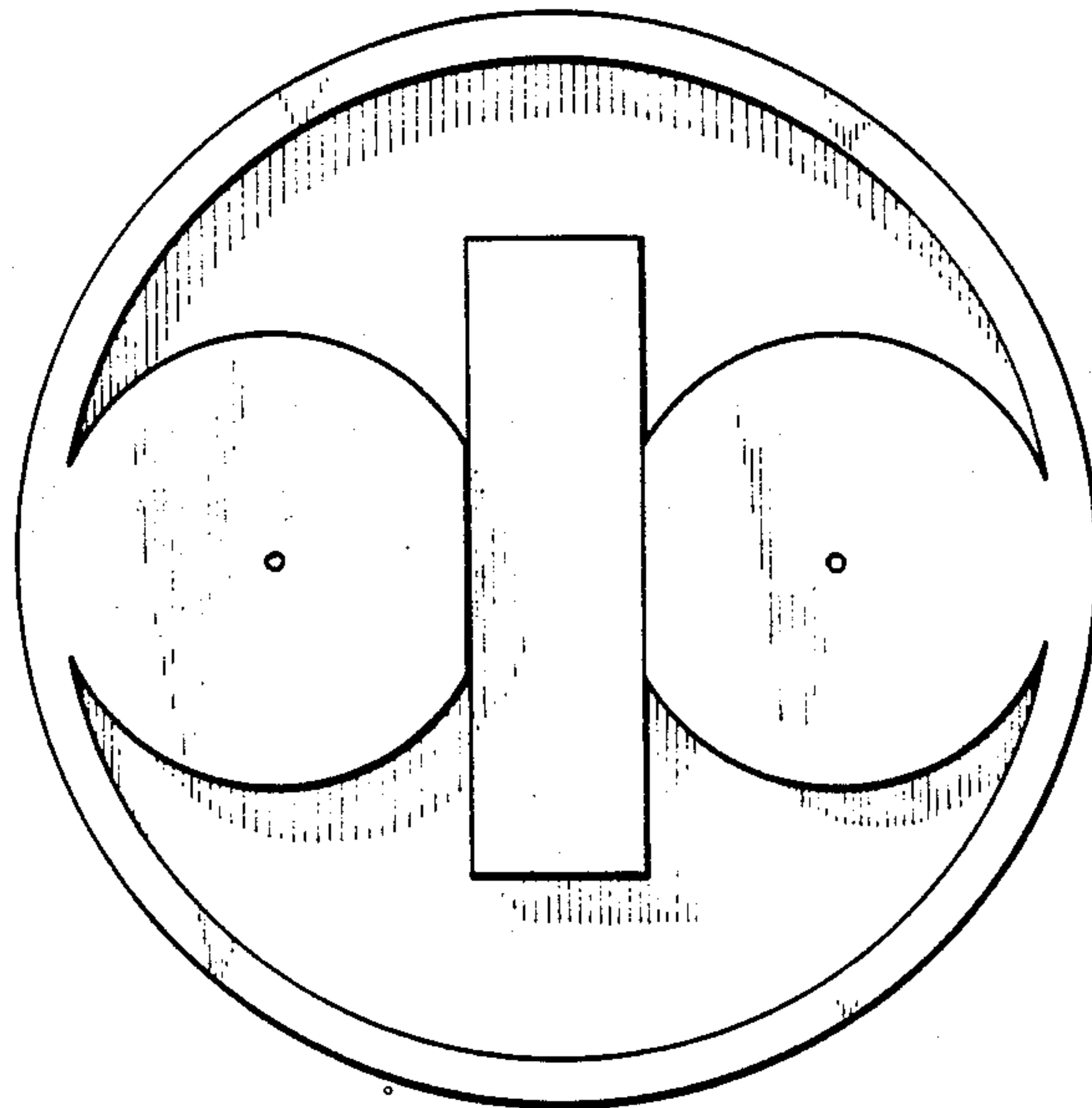


FIG-5

