

United States Patent [19]

Sakamoto et al.

[11] Patent Number: **Des. 294,516**

[45] Date of Patent: **** Mar. 1, 1988**

[54] FISHING REEL

[75] Inventors: **Masakazu Sakamoto; Teruhisa Numata**, both of Tokyo, Japan

[73] Assignee: **Ryobi Ltd.**, Hiroshima, Japan

[**] Term: **14 Years**

[21] Appl. No.: **752,685**

[22] Filed: **Jul. 8, 1985**

[30] Foreign Application Priority Data

Jan. 11, 1985 [JP] Japan 60-672

[52] U.S. Cl. D22/140

[58] Field of Search D22/140; 242/84.1 R,
242/84.2 R, 84.2 A

[56] References Cited

U.S. PATENT DOCUMENTS

D. 258,904 4/1981 Myojo D22/140

D. 265,497 7/1982 Sakamoto et al. D22/140

D. 266,184 9/1982 Iinuma et al. D22/140

D. 269,694 7/1983 Myojo D22/140

D. 273,974 5/1984 Myojo D22/140

Primary Examiner—A. Hugo Word
Attorney, Agent, or Firm—Sughrue, Mion, Zinn,
Macpeak, and Seas

[57] CLAIM

The ornamental design for a fishing reel, as shown.

DESCRIPTION

FIG. 1 is a front, top and right side perspective view of a fishing reel showing our new design;

FIG. 2 is a top, rear and left side perspective view thereof;

FIG. 3 is a right side elevational view thereof;

FIG. 4 is a left side elevational view thereof;

FIG. 5 is a front elevational view thereof;

FIG. 6 is a rear elevational view thereof;

FIG. 7 is a top plan view thereof; and

FIG. 8 is a bottom plan view thereof.

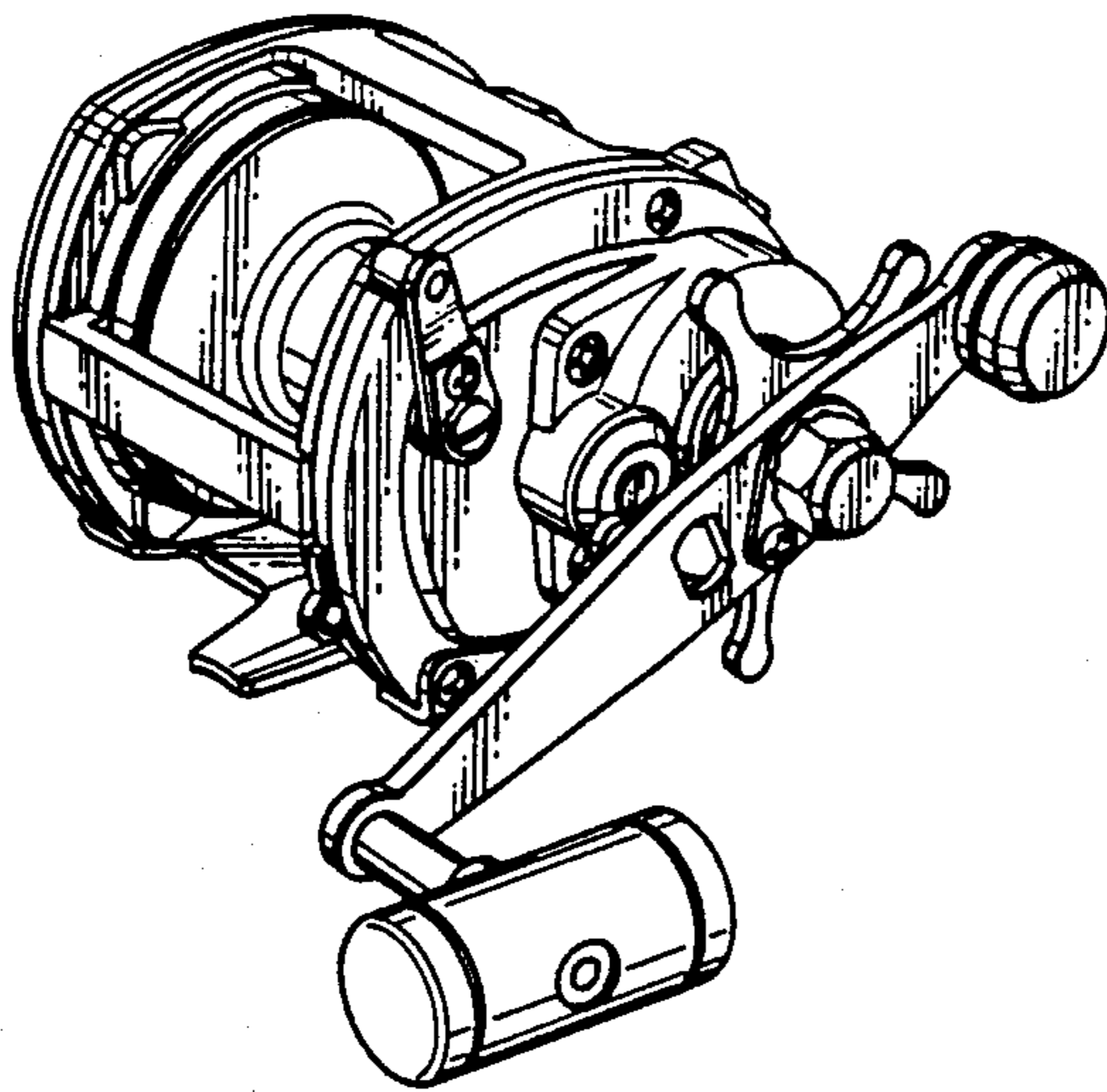


Fig. 1

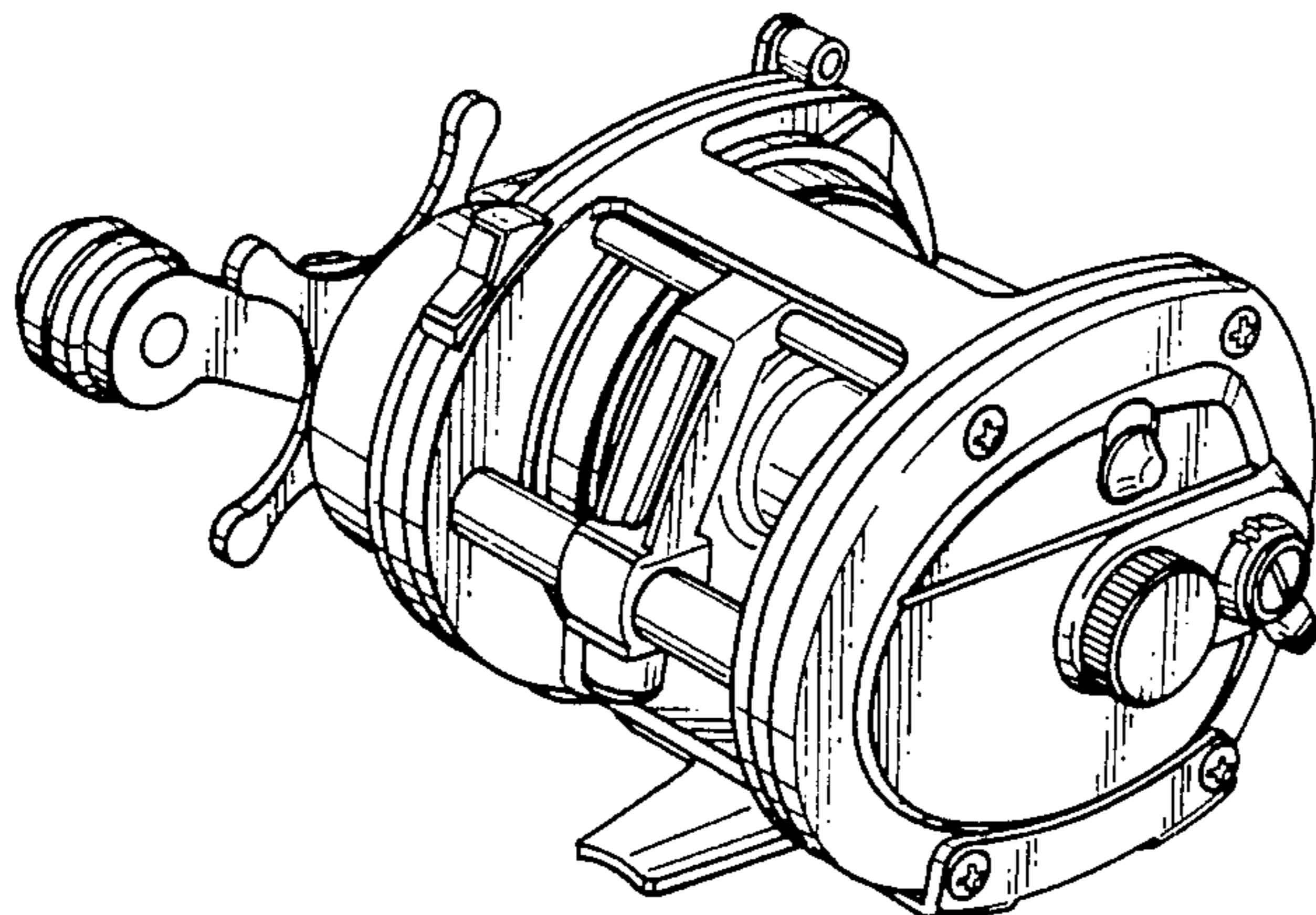


Fig. 2

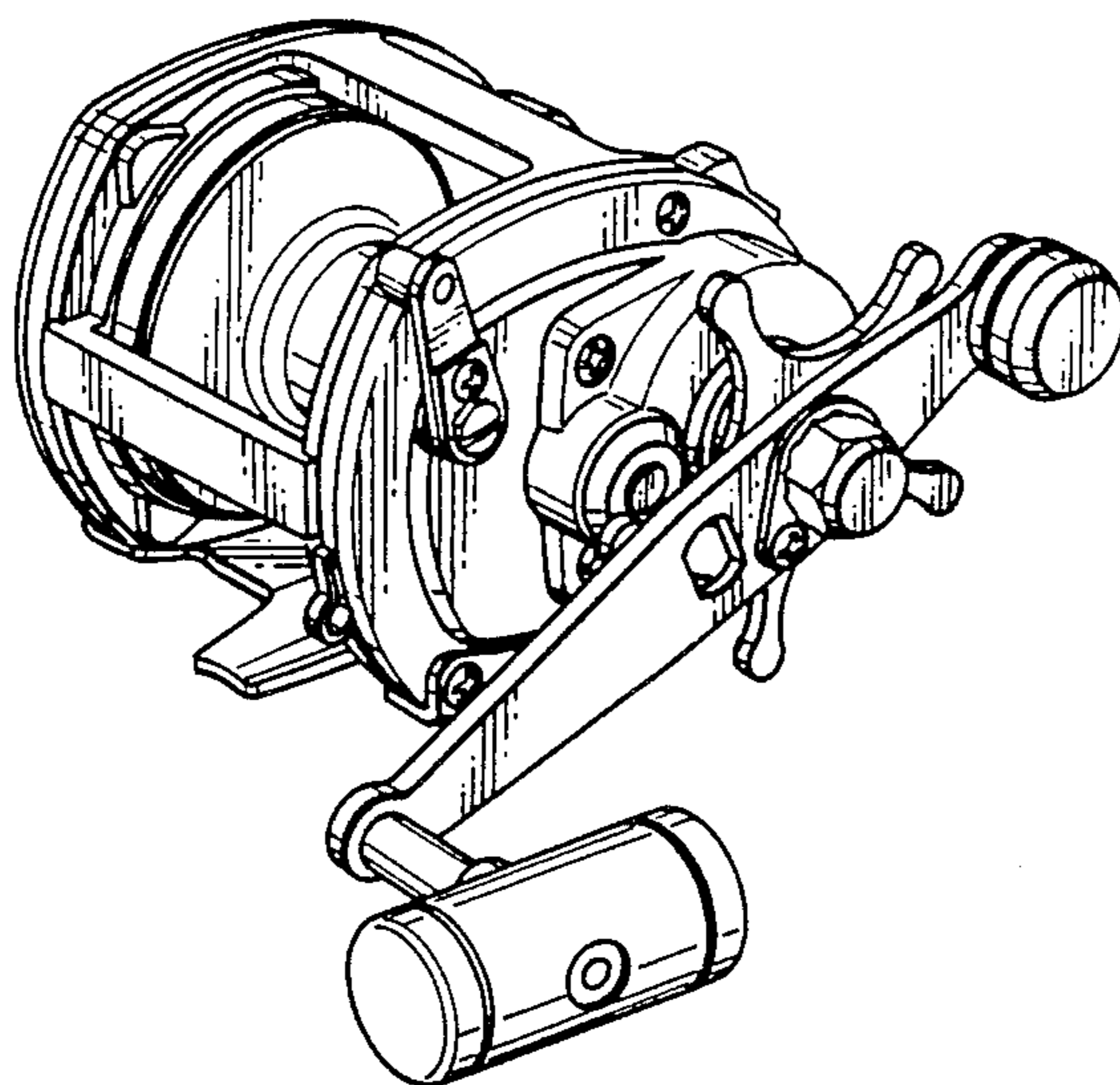


Fig. 3

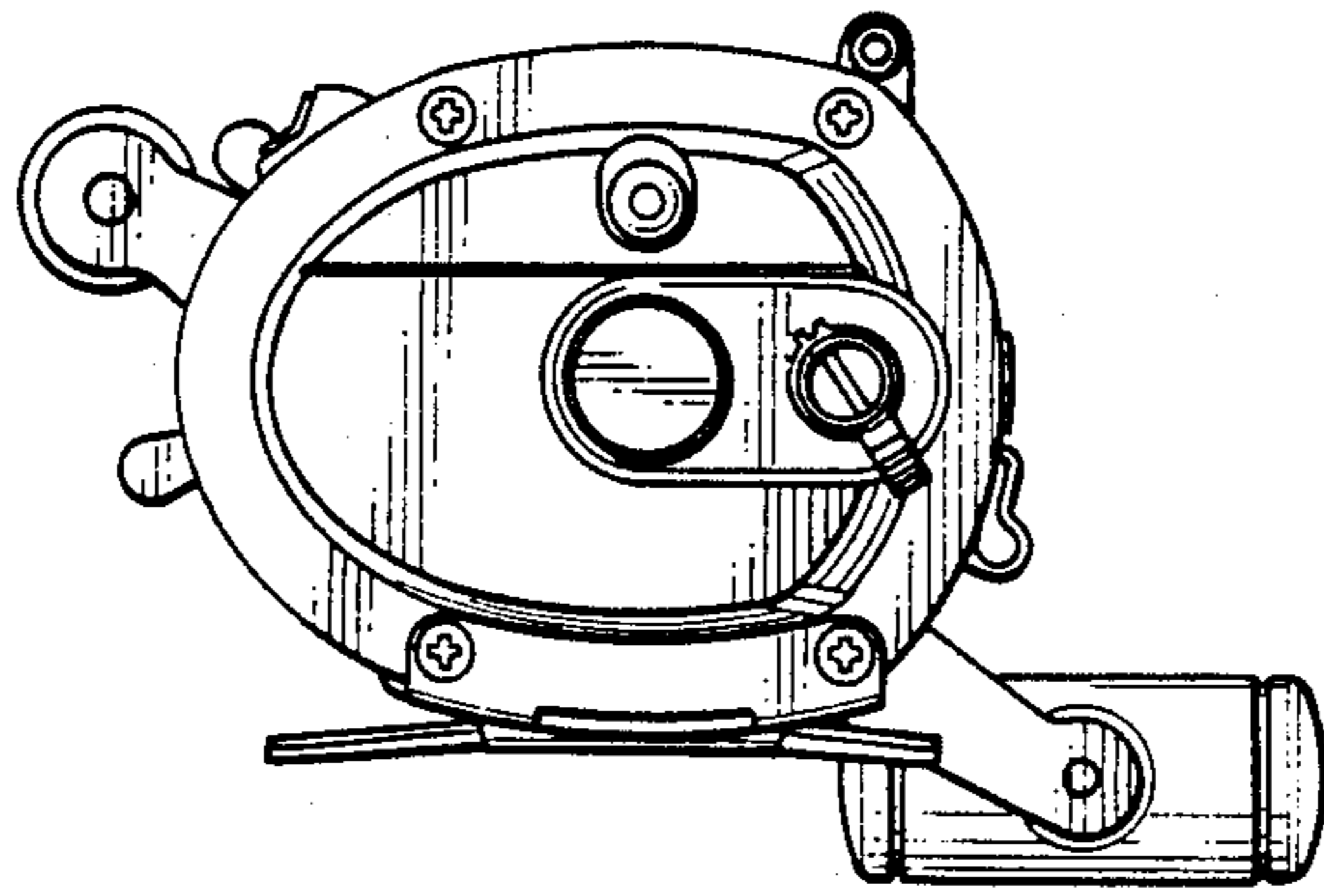


Fig. 4

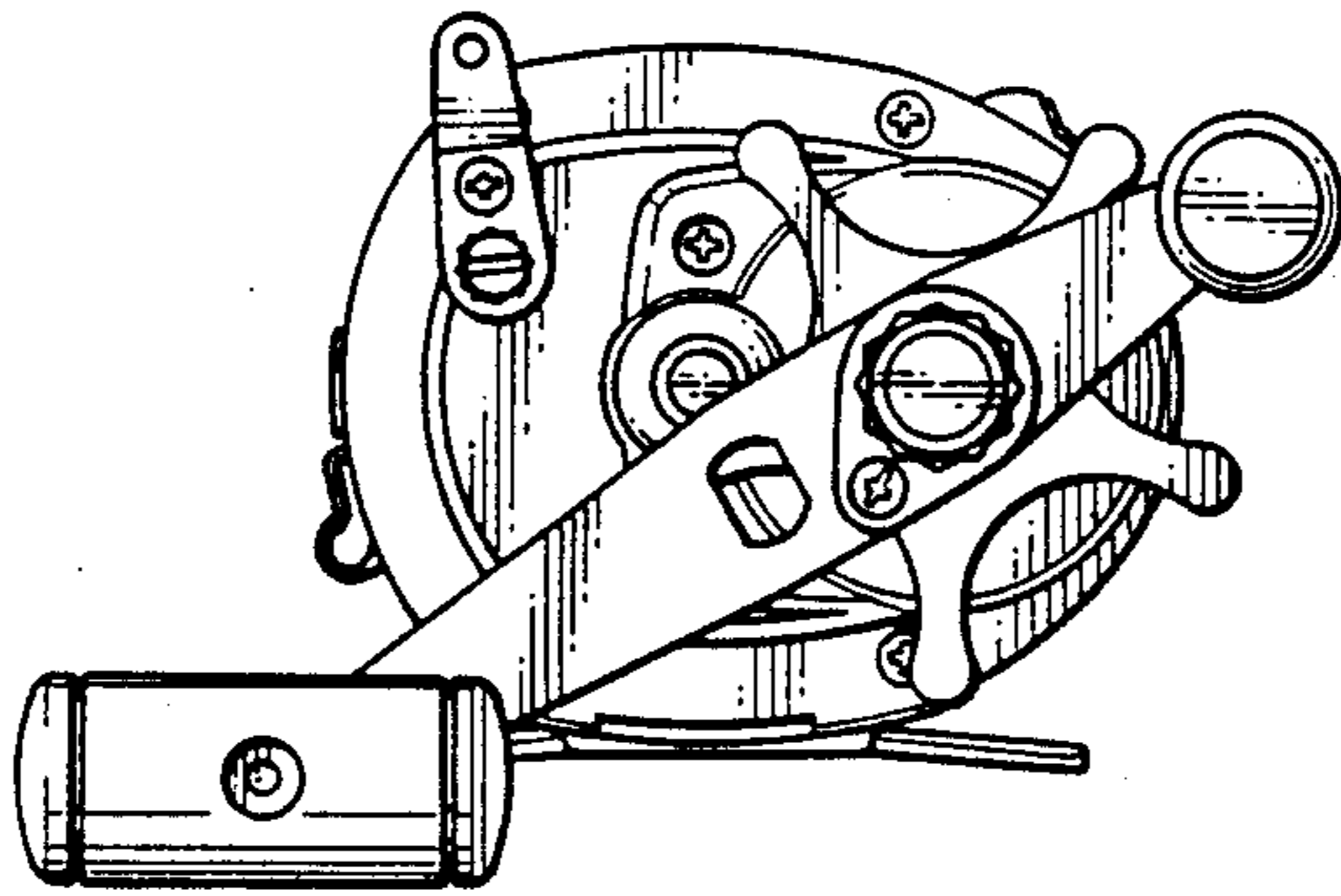


Fig. 5

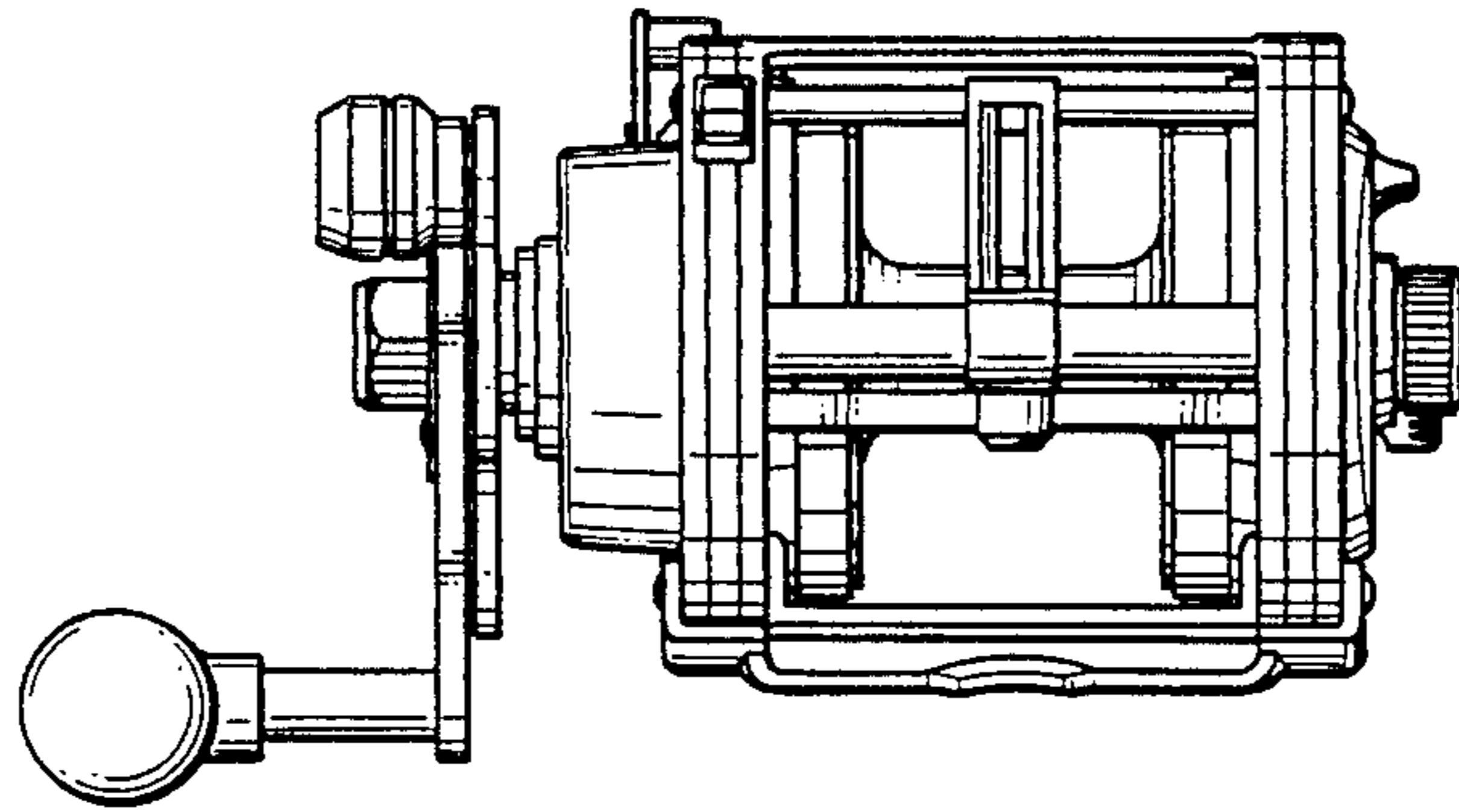


Fig. 6

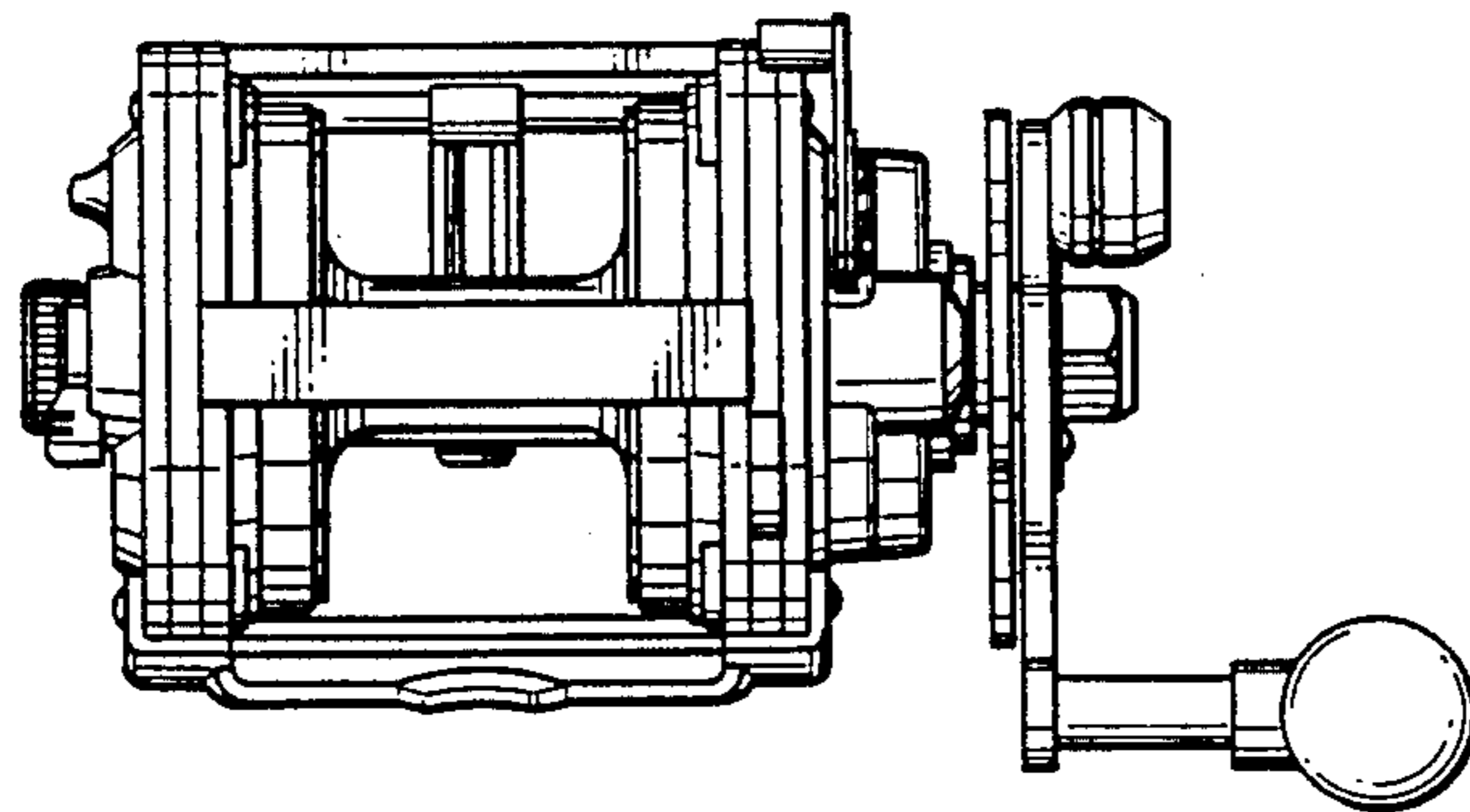


Fig. 7

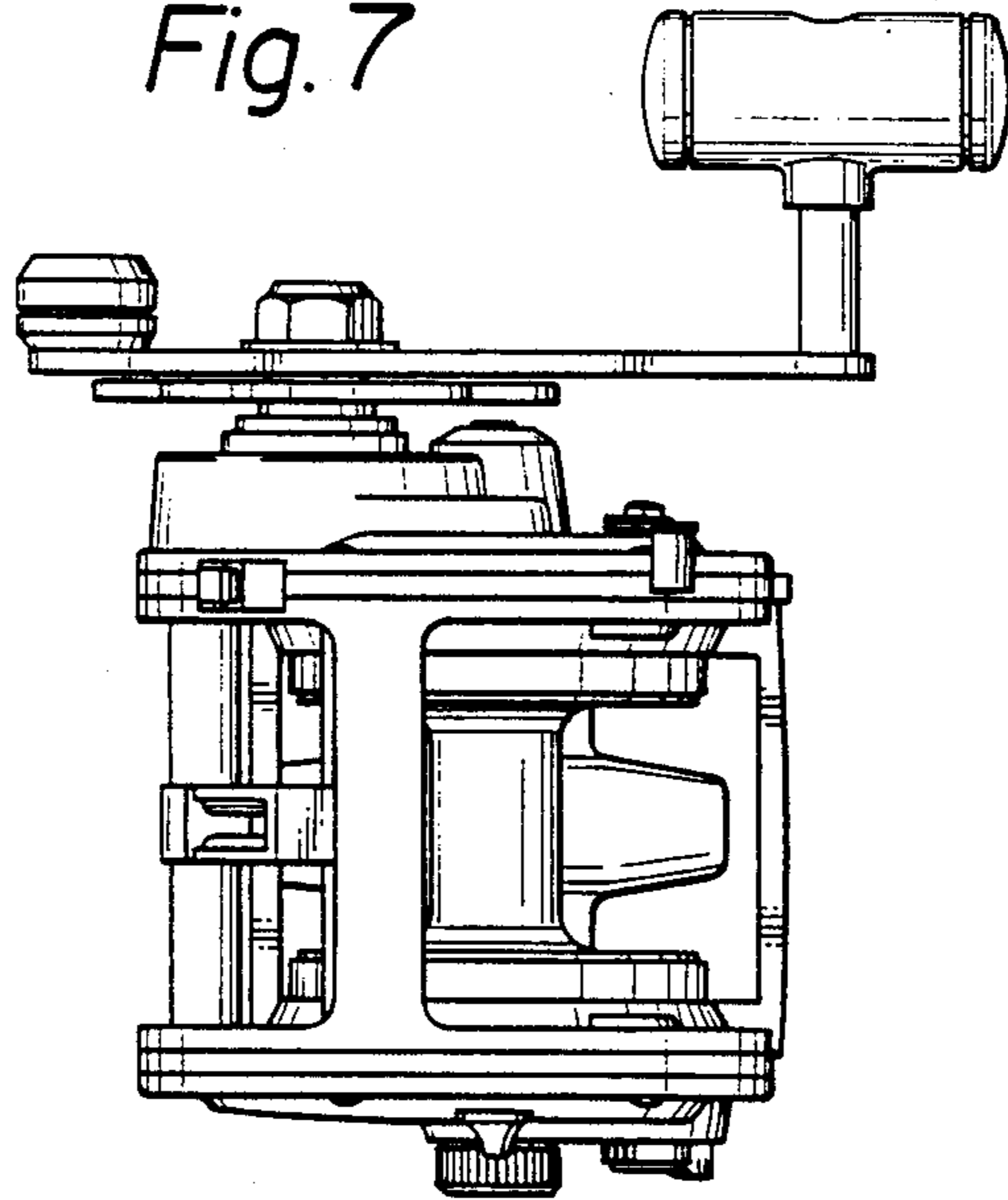


Fig. 8

