

[54] GOLF CLUB HEAD

[76] Inventor: Anthony J. Antonious, 205 E. Joppa Rd., Towson, Md. 21204

[\*] Notice: The portion of the term of this patent subsequent to Jan. 19, 2002 has been disclaimed.

[\*\*] Term: 14 Years

[21] Appl. No.: 653,592

[22] Filed: Sep. 24, 1984

[52] U.S. Cl. .... D21/219; D21/217

[58] Field of Search ..... D21/217-219;  
273/167-175, 163 R, 164, 77 R, 78

[56] References Cited

U.S. PATENT DOCUMENTS

D. 212,890	12/1968	Rose	.....	D21/217
D. 217,873	6/1970	Steele	.....	D21/217
D. 282,555	2/1986	Shearer	.....	D21/217
4,136,877	1/1979	Antonious	.....	273/164

OTHER PUBLICATIONS

Golf Digest, Apr. 1977, p. 34, middle Putter, Lynx Frame B-1.

Golf World, Jul. 13, 1979, p. 15, top right, "The Wish-bone", Putter.

Primary Examiner—Melvin B. Feifer  
Attorney, Agent, or Firm—N. J. Aquilino

[57] CLAIM

The ornamental design for a golf club head, as shown and described.

DESCRIPTION

FIG. 1 is a perspective view of the golf club head showing my new design.

FIG. 2 is a rear elevational view thereof with a broken line portion of a shaft shown for illustrative purposes only.

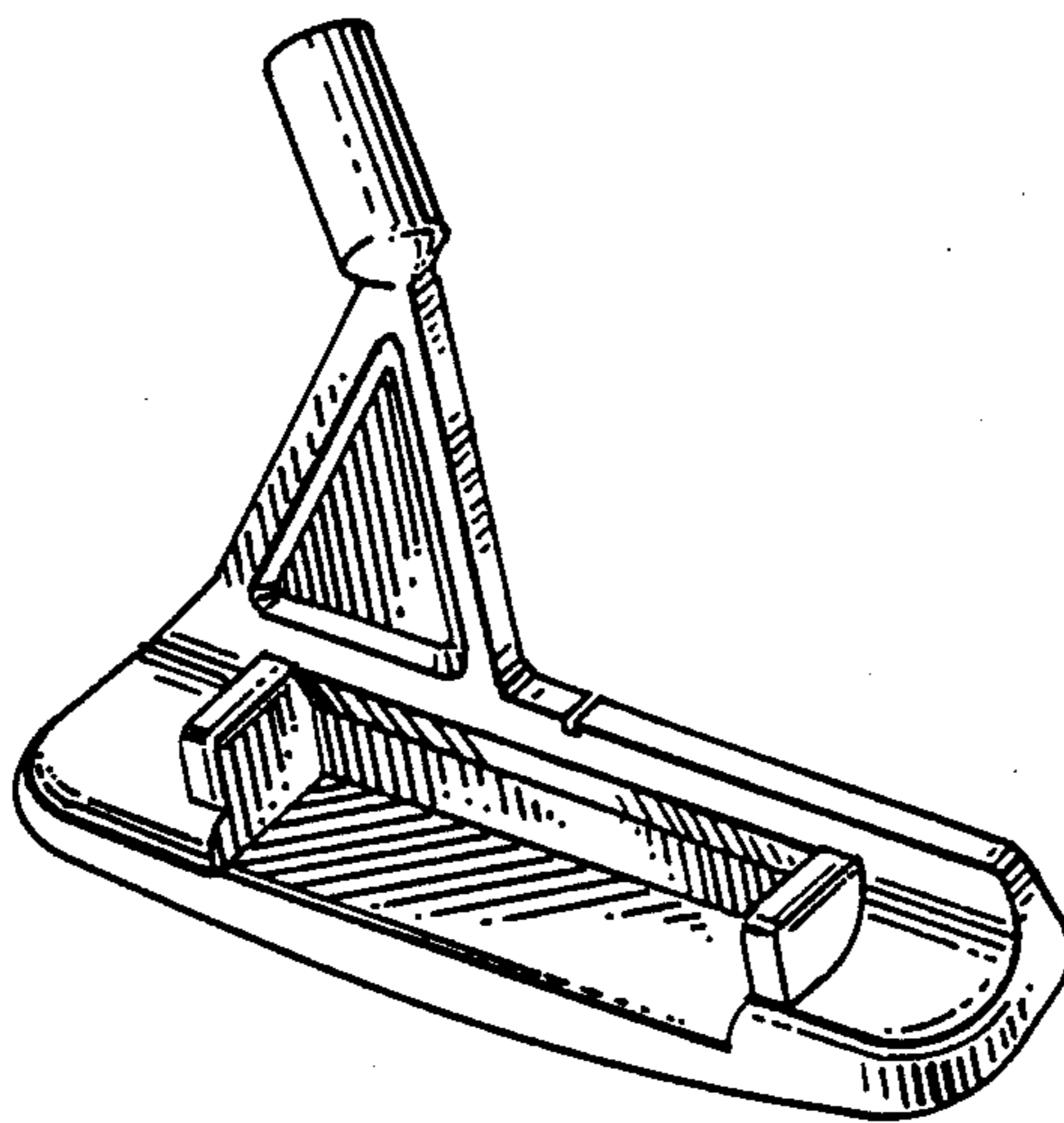
FIG. 3 is an end elevational view thereof.

FIG. 4 is a top plan view thereof.

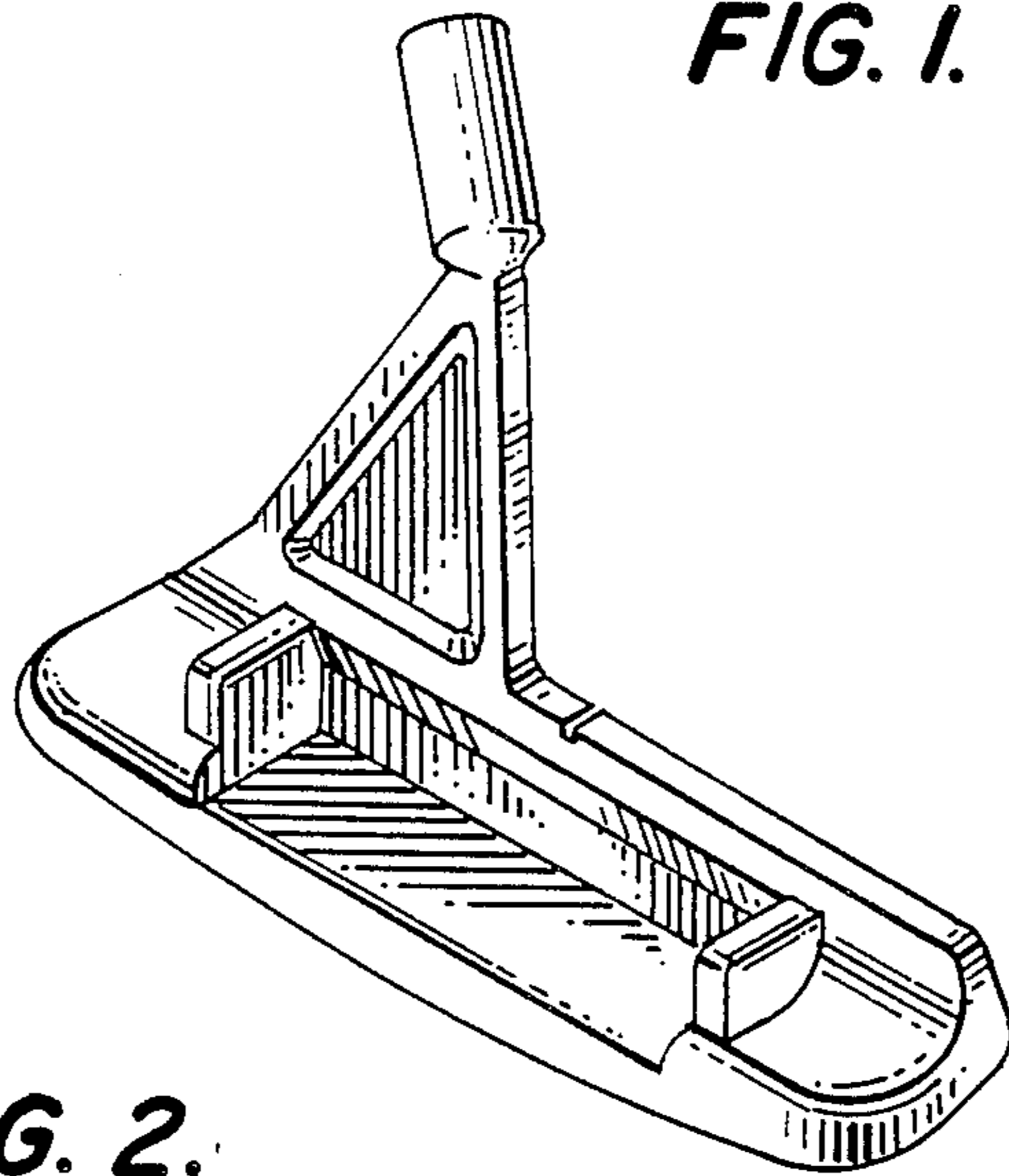
FIG. 5 is an end elevational view taken from the opposite side of FIG. 3.

FIG. 6 is a bottom view thereof.

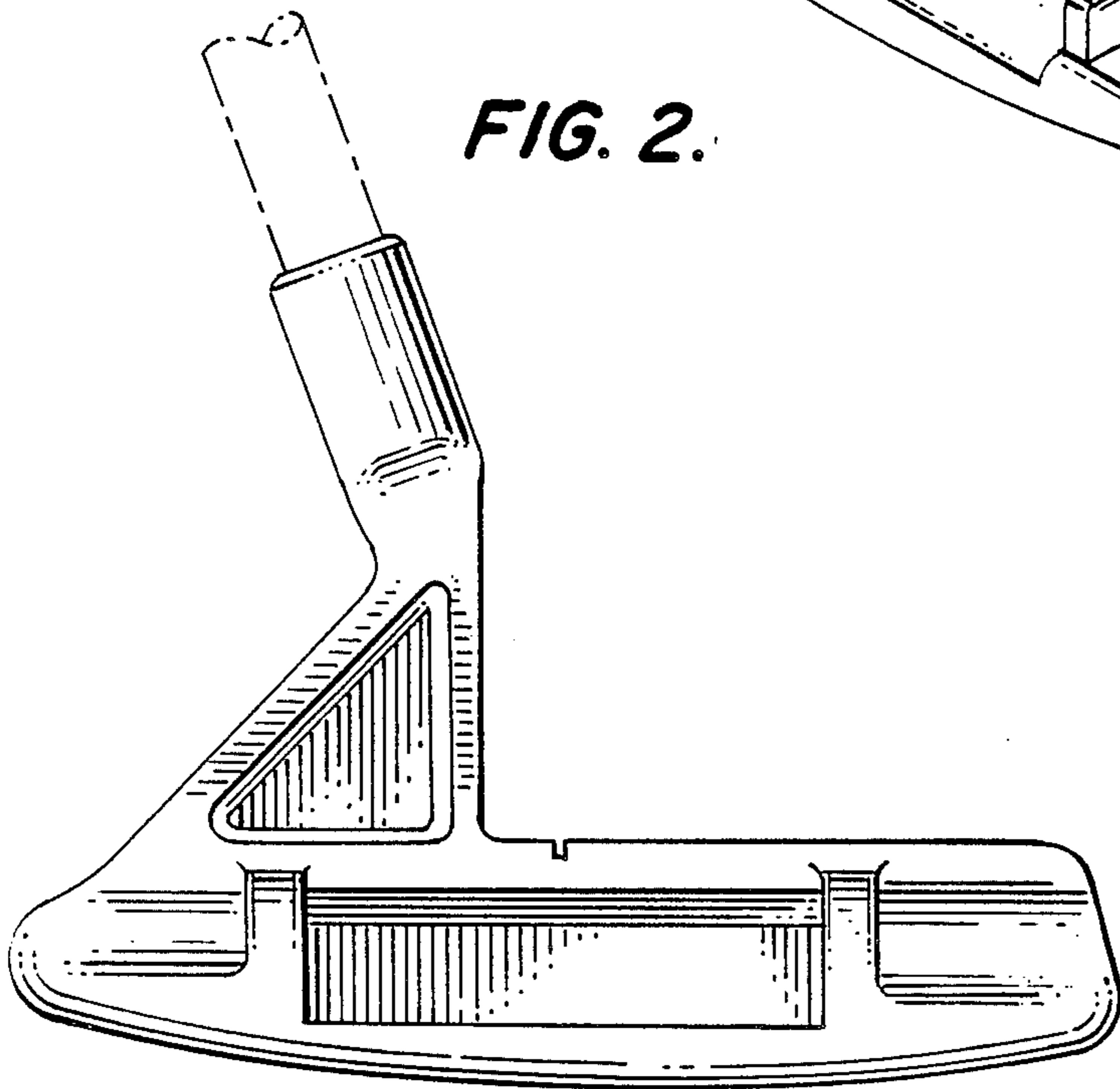
FIG. 7 is a front elevational view thereof.



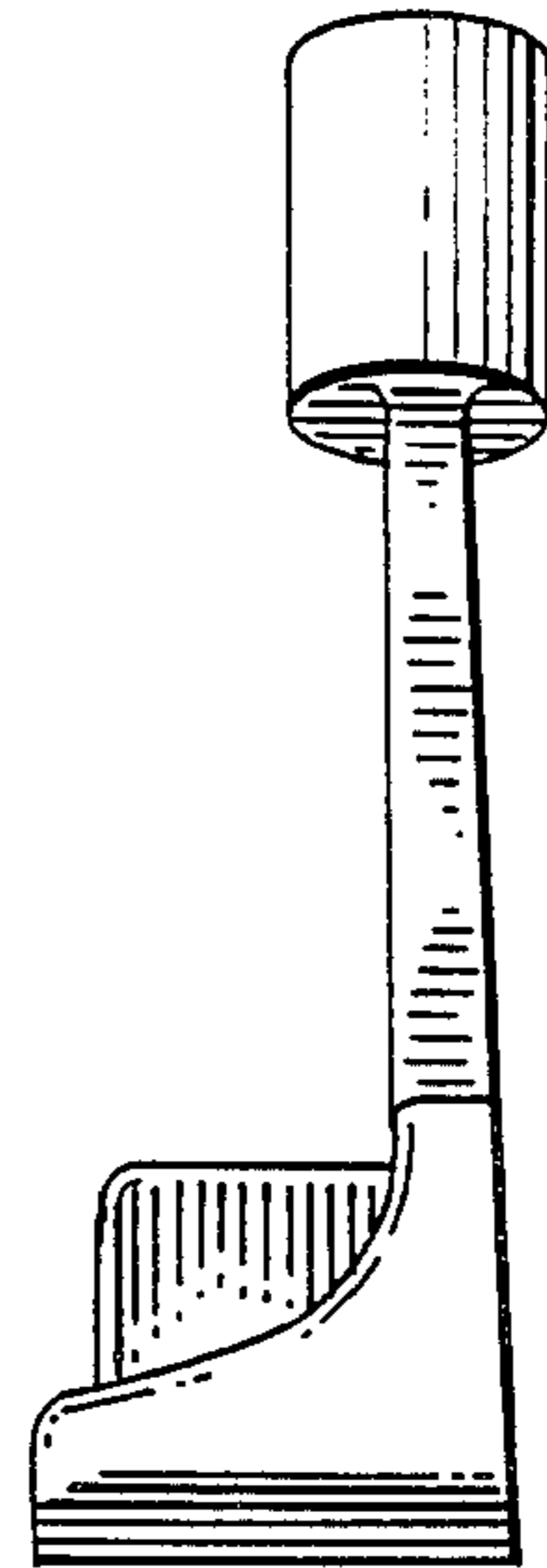
**FIG. 1.**



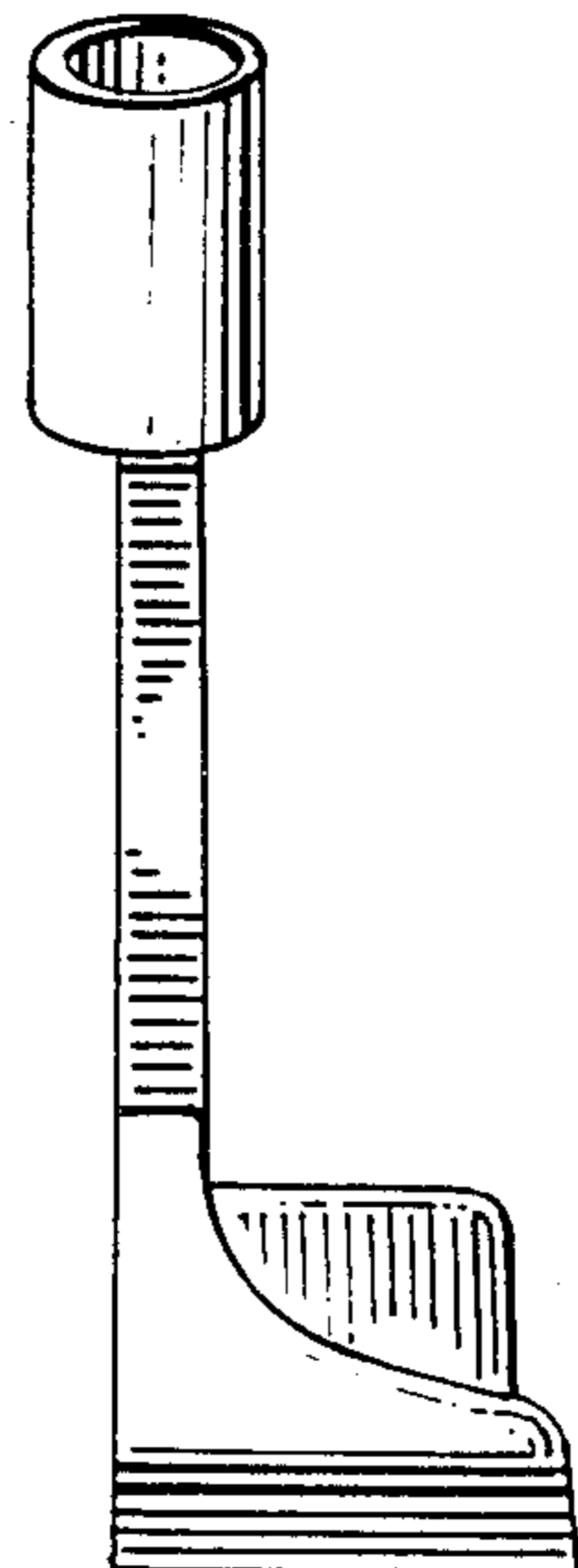
**FIG. 2.**



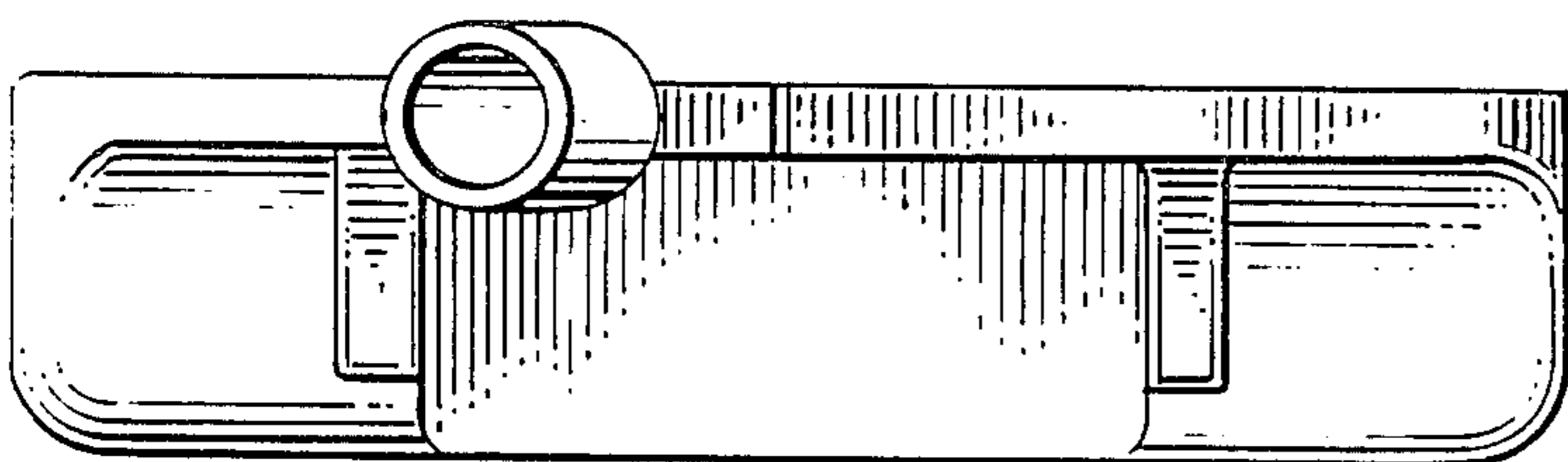
**FIG. 3.**



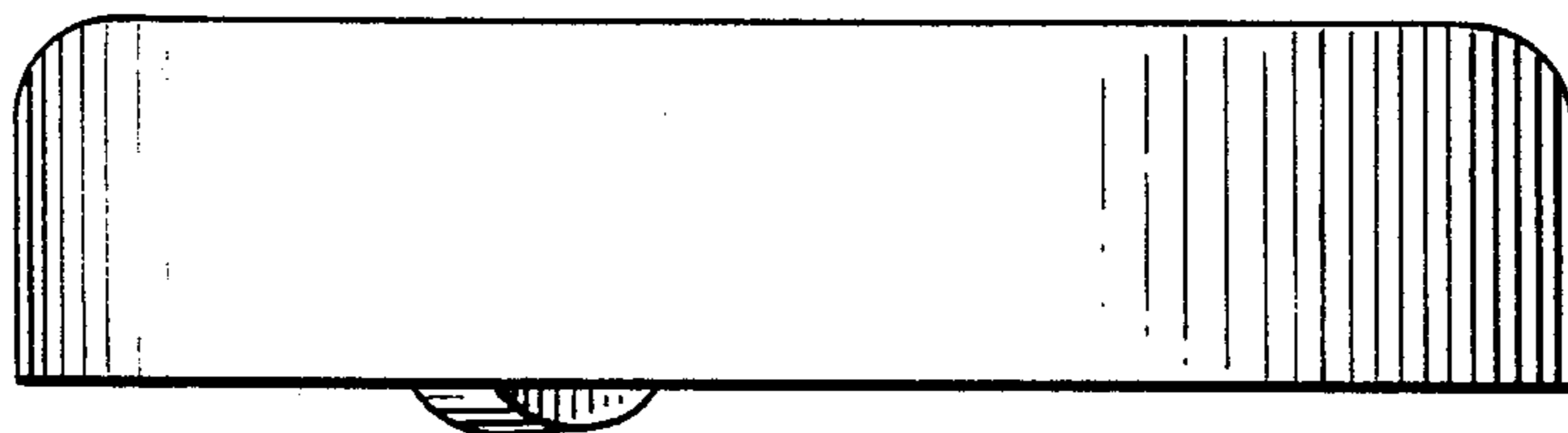
**FIG. 5.**



**FIG. 4.**



**FIG. 6.**



**FIG. 7.**

