

[54] **GOLF CLUB PUTTER HEAD**

[76] **Inventor: Michael Durket, 20701 Leonard Rd.,  
Saratoga, Calif. 95070**

[\*\*] **Term: 14 Years**

[21] **Appl. No.: 728,128**

[22] **Filed: Apr. 29, 1985**

[52] **U.S. Cl. .... D21/217**

[58] **Field of Search ..... D21/217-219;  
273/167-175, 164**

[56] **References Cited**

**U.S. PATENT DOCUMENTS**

- D. 228,930 10/1973 Leigh ..... D21/219
- D. 252,649 8/1979 Bernhardt ..... D21/217
- D. 252,771 8/1979 Henrick ..... D21/219

**OTHER PUBLICATIONS**

Ping Putters, pamphlet, 1971, "Pal" putter.

*Primary Examiner*—Melvin B. Feifer

*Attorney, Agent, or Firm*—Townsend and Townsend

[57] **CLAIM**

The ornamental design for a golf club putter head, as shown.

**DESCRIPTION**

FIG. 1 is a perspective view of a golf club putter head, showing my new design;

FIG. 2 is a top view of the putter head;

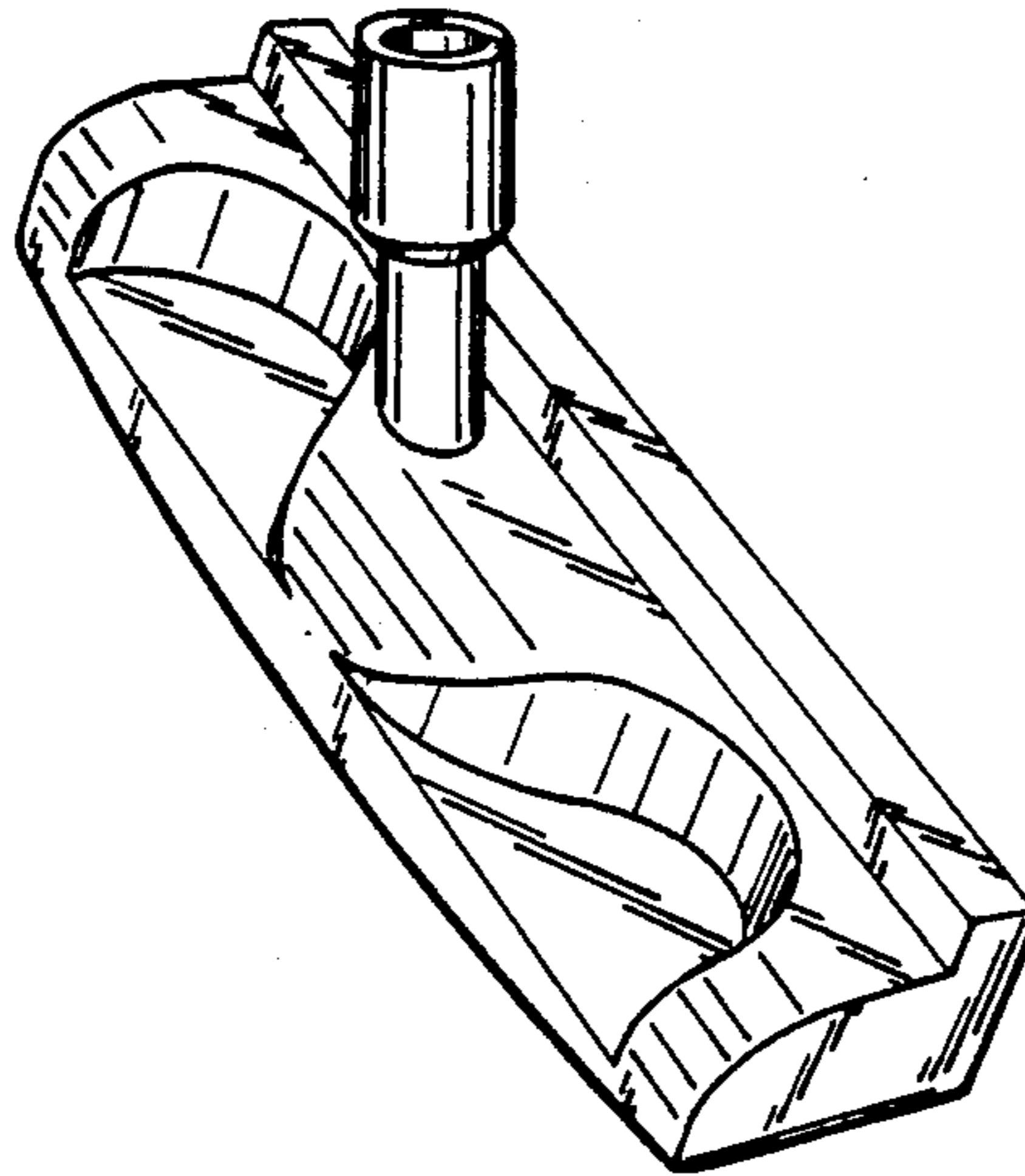
FIG. 3 is an end view of the front end of the putter head;

FIG. 4 is a front view of the putter head;

FIG. 5 is a rear end view of the putter head;

FIG. 6 is a back view of the putter head; and

FIG. 7 is a bottom view of the putter head.



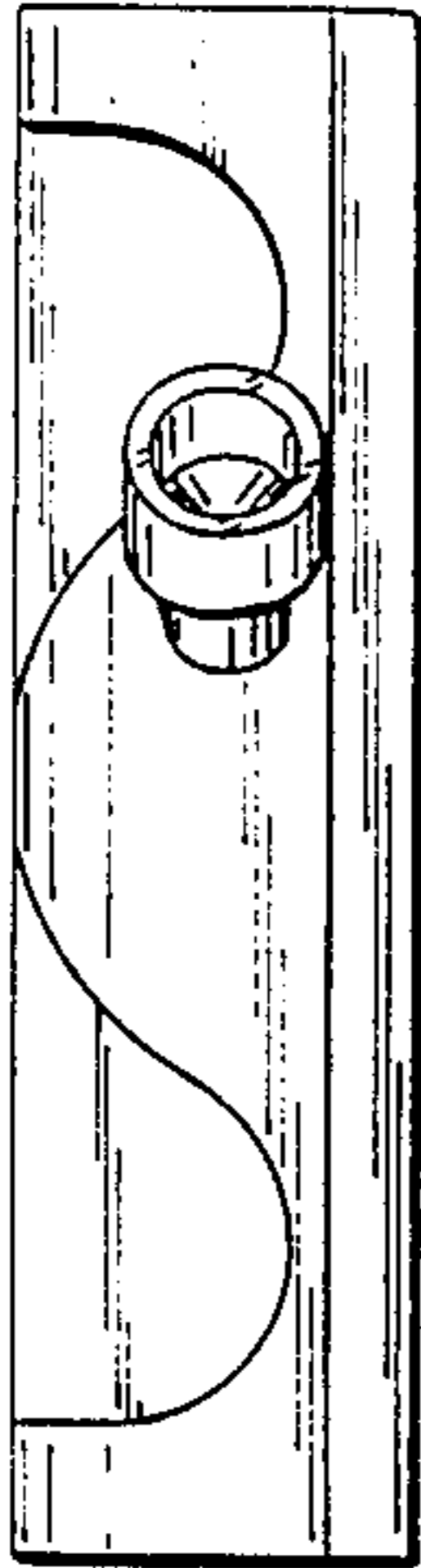


FIG. 2.

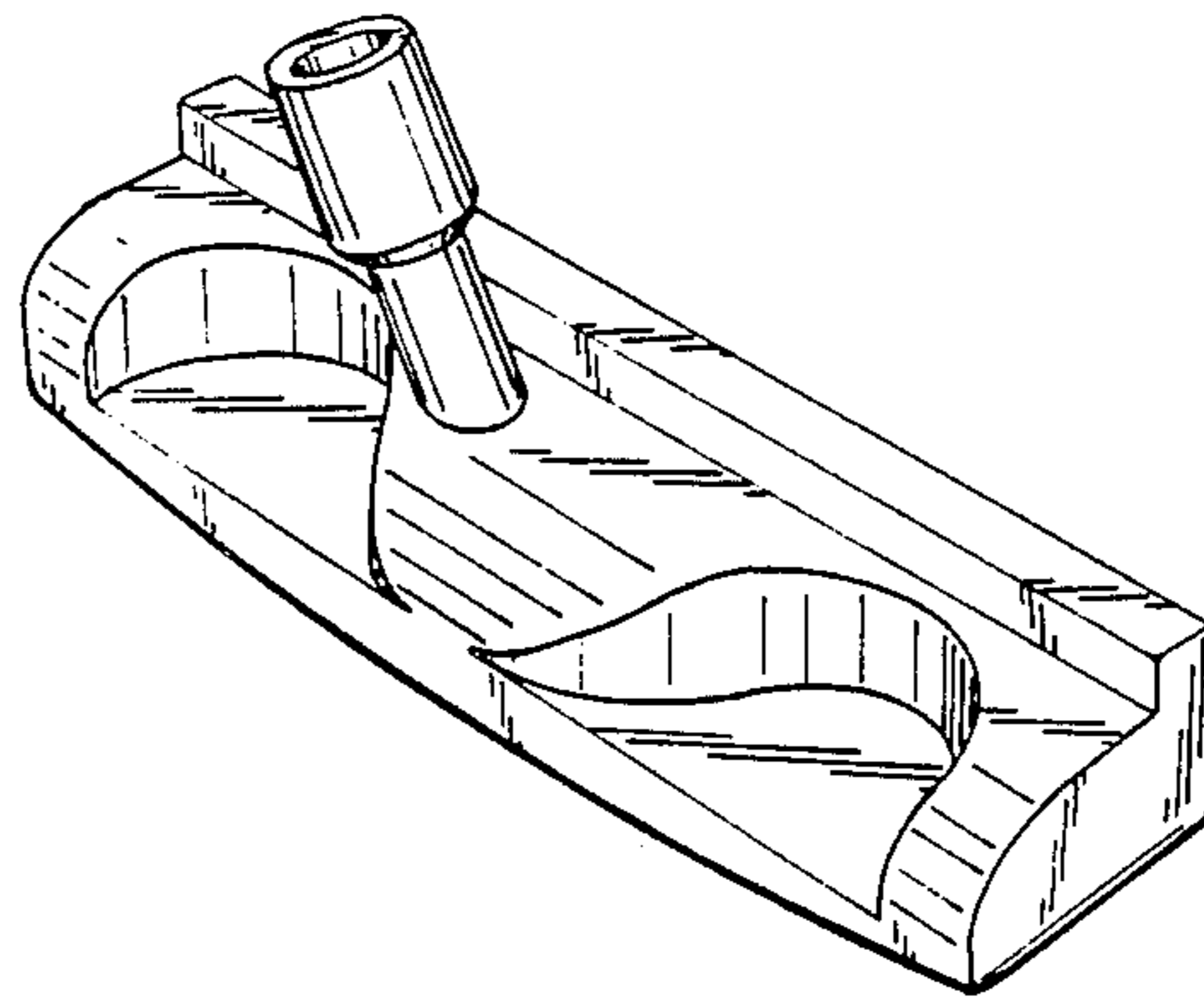


FIG. 1.

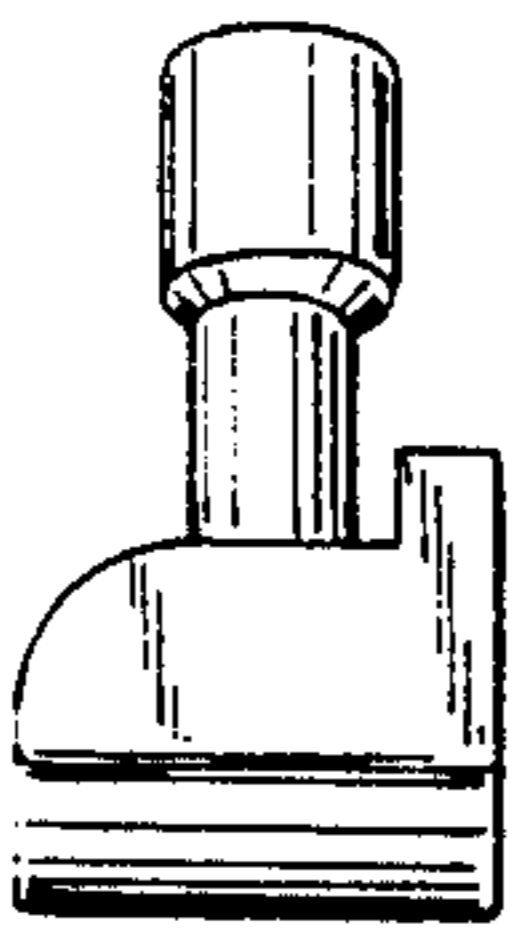


FIG. 3.

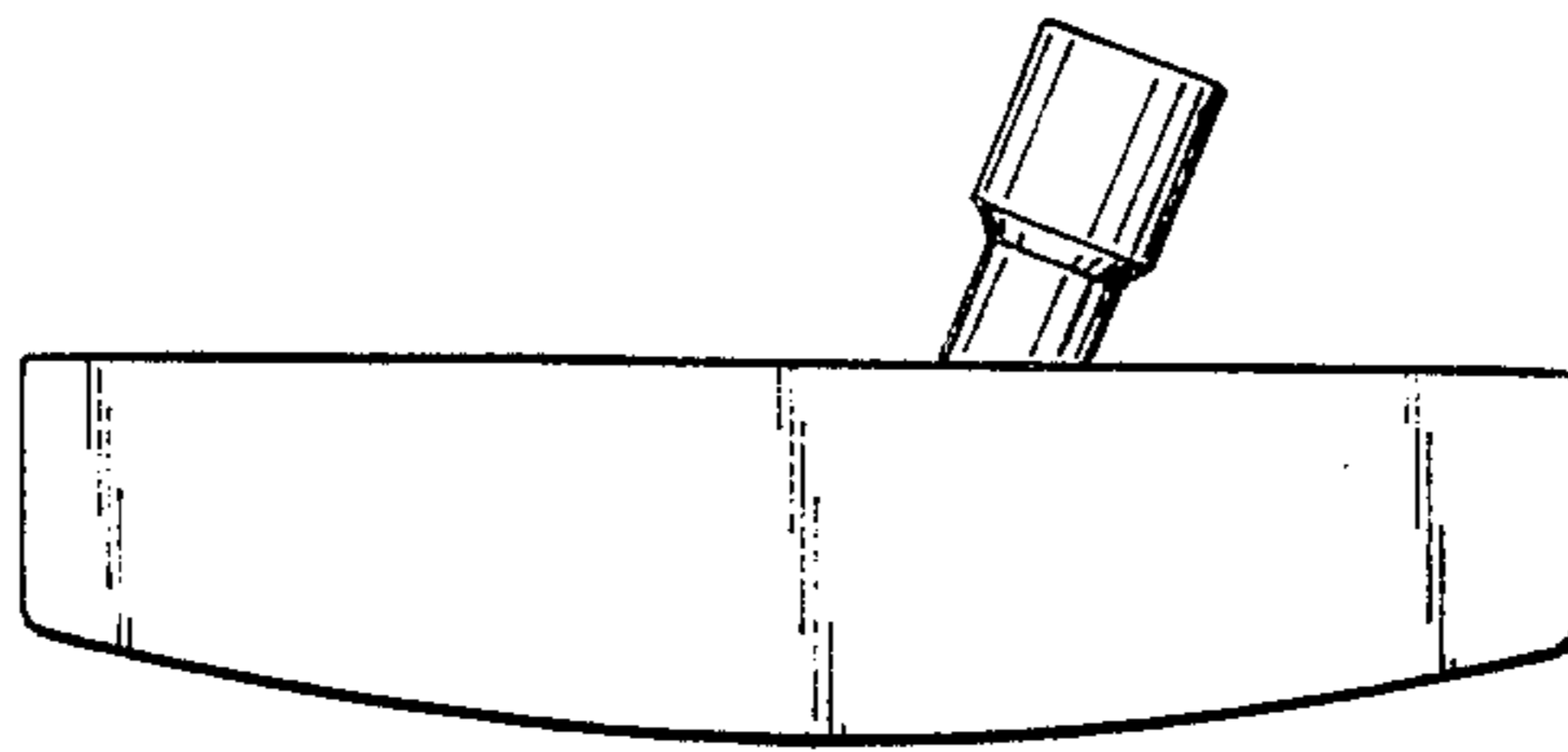


FIG. 4.

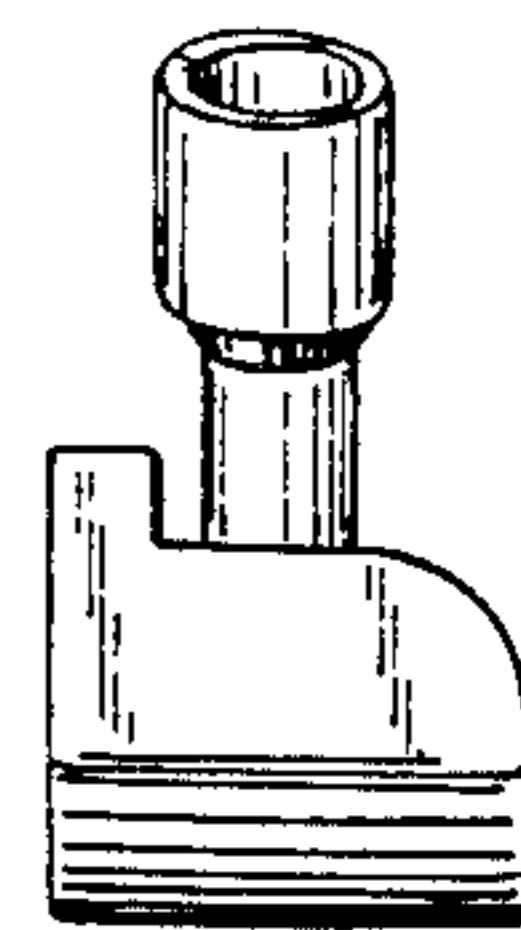


FIG. 5.

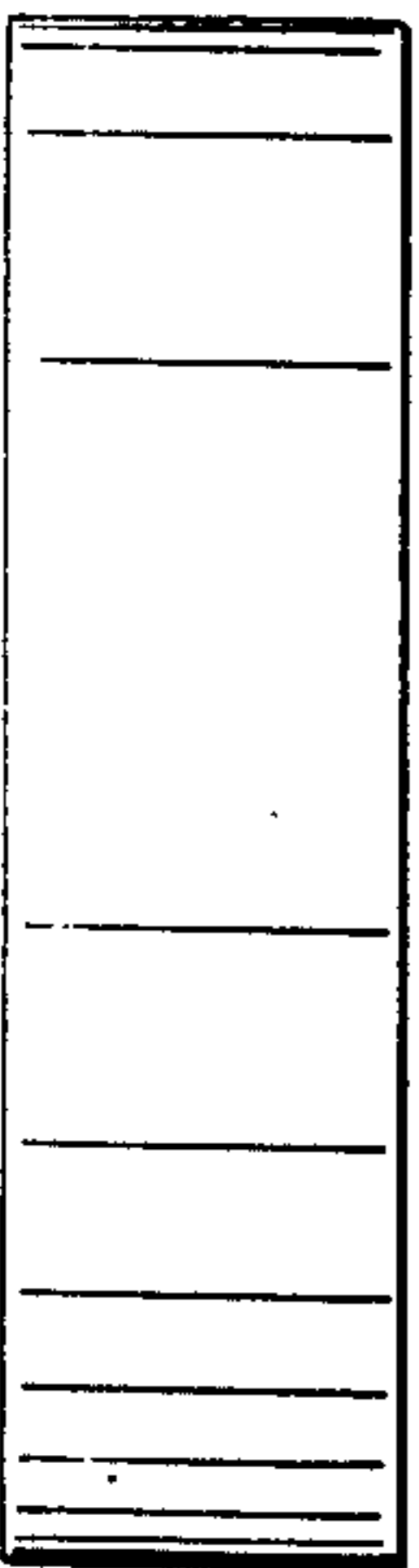


FIG. 7.

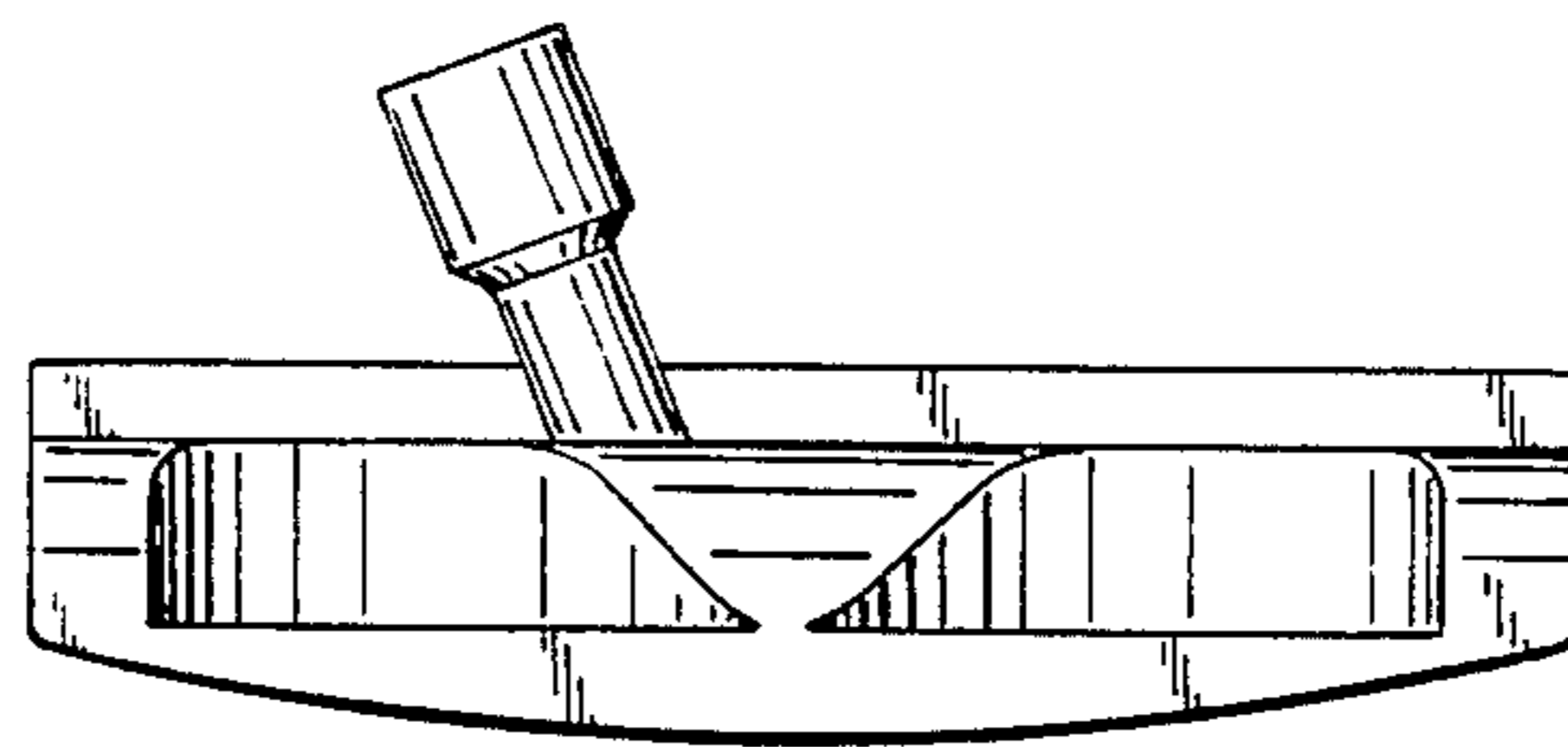


FIG. 6.