

# United States Patent [19]

Michaelson et al.

[11] Patent Number: **Des. 294,510**

[45] Date of Patent: **\*\* Mar. 1, 1988**

[54] TOY BOAT OR THE LIKE

[75] Inventors: **Howard W. Michaelson, Coram;  
Dominick Loscalzo, Whitestone, both  
of N.Y.**

[73] Assignee: **Dart Industries Inc., Deerfield, Ill.**

[\*\*] Term: **14 Years**

[21] Appl. No.: **719,931**

[22] Filed: **Apr. 4, 1985**

[52] U.S. Cl. .... **D21/130**

[58] Field of Search ..... **D21/130; D12/62, 68;  
446/153, 160, 163, 164**

[56] **References Cited**

## U.S. PATENT DOCUMENTS

D. 145,142 7/1946 Overath ..... D21/130  
D. 161,861 2/1951 Mueller ..... D21/130

D. 209,628 12/1967 Burnsworth et al. .... D21/130

D. 222,374 10/1971 Ichiro ..... D21/130

D. 251,689 4/1979 McElhaneey ..... D21/130

*Primary Examiner*—Charles A. Rademaker  
*Attorney, Agent, or Firm*—John A. Doninger

[57] **CLAIM**

The ornamental design for a toy boat or the like, substantially as shown and described.

## DESCRIPTION

FIG. 1 is a top perspective view of a toy boat or the like showing our new design;

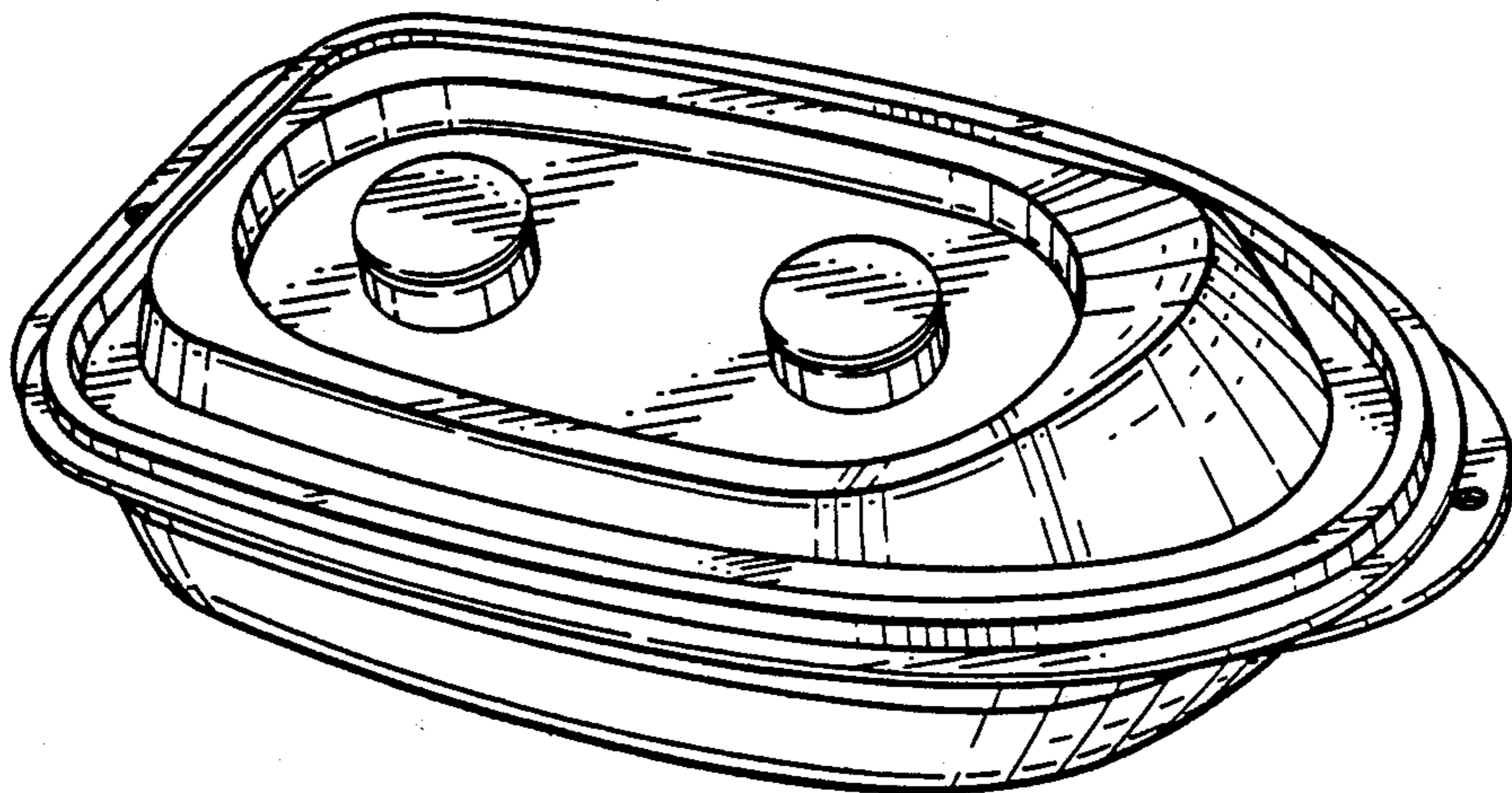
FIG. 2 is a side elevation thereof, the opposite side being a mirror image;

FIG. 3 is a front end elevation thereof;

FIG. 4 is a rear end elevation thereof;

FIG. 5 is a top plan view thereof;

FIG. 6 is a bottom plan view thereof.



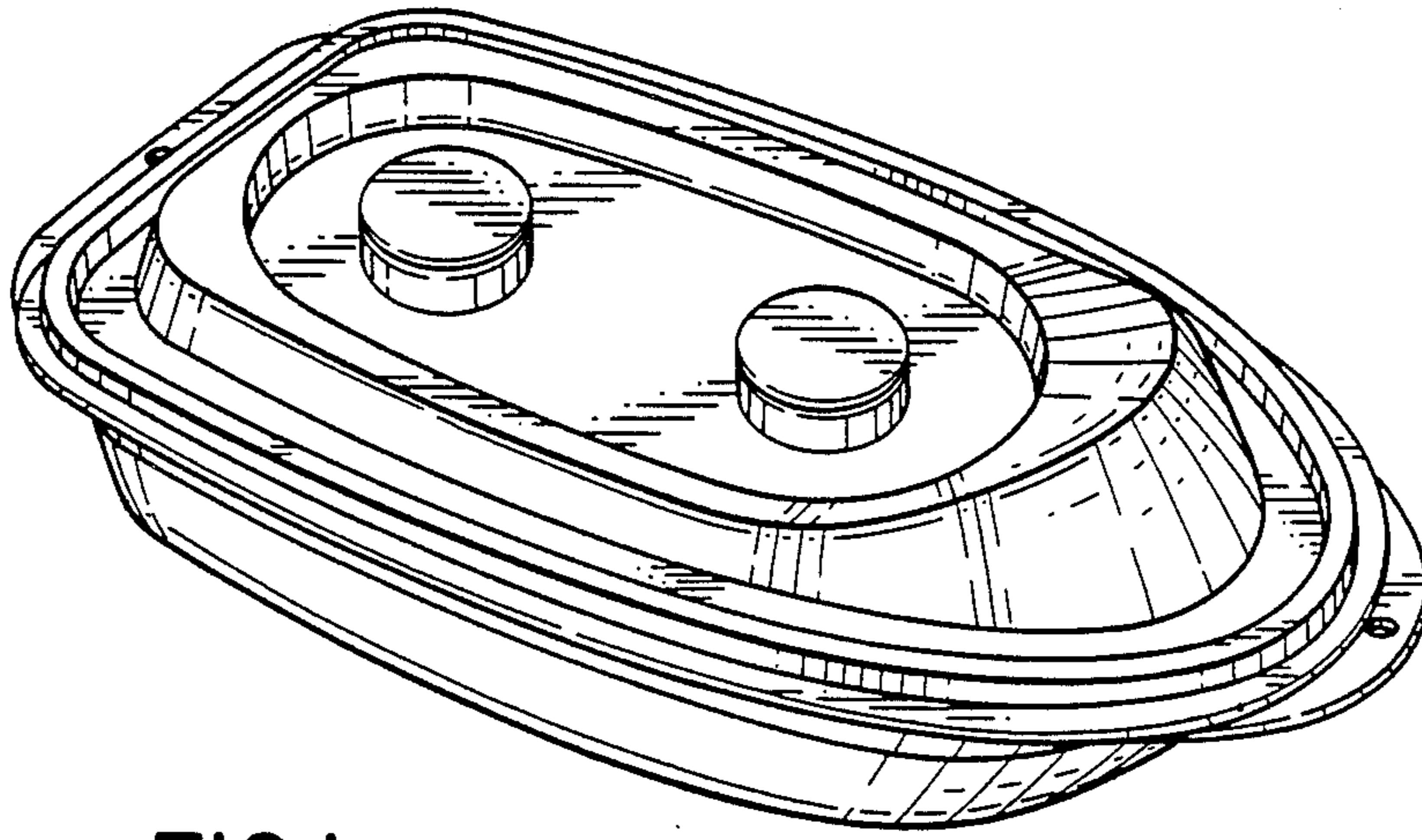


FIG. 1

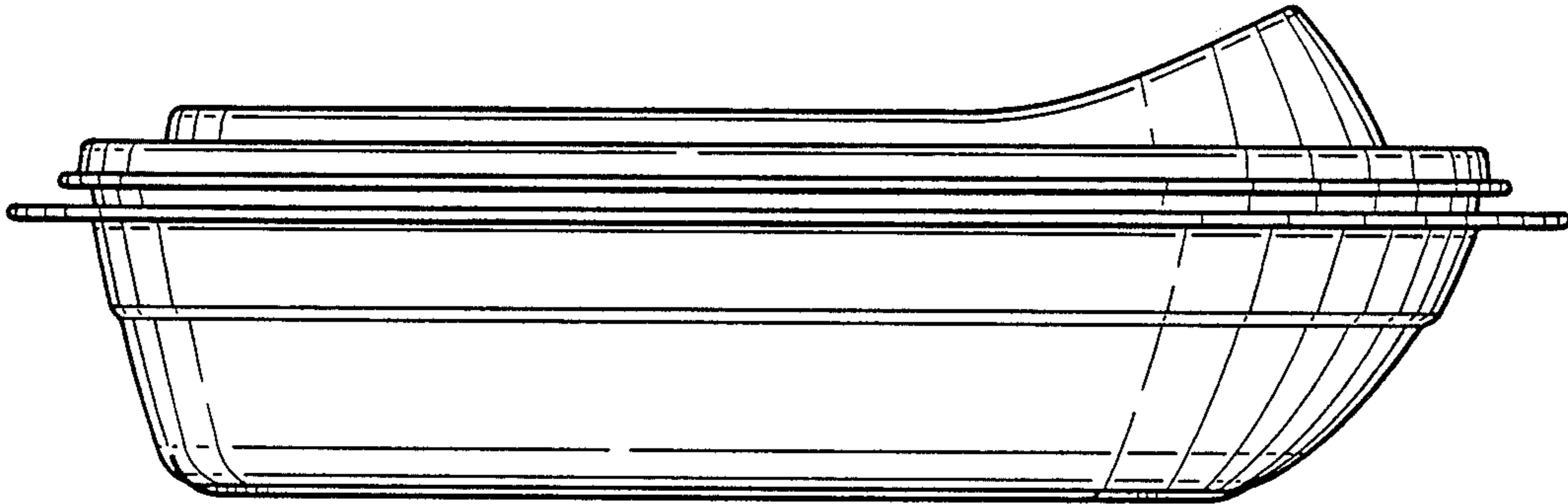


FIG. 2

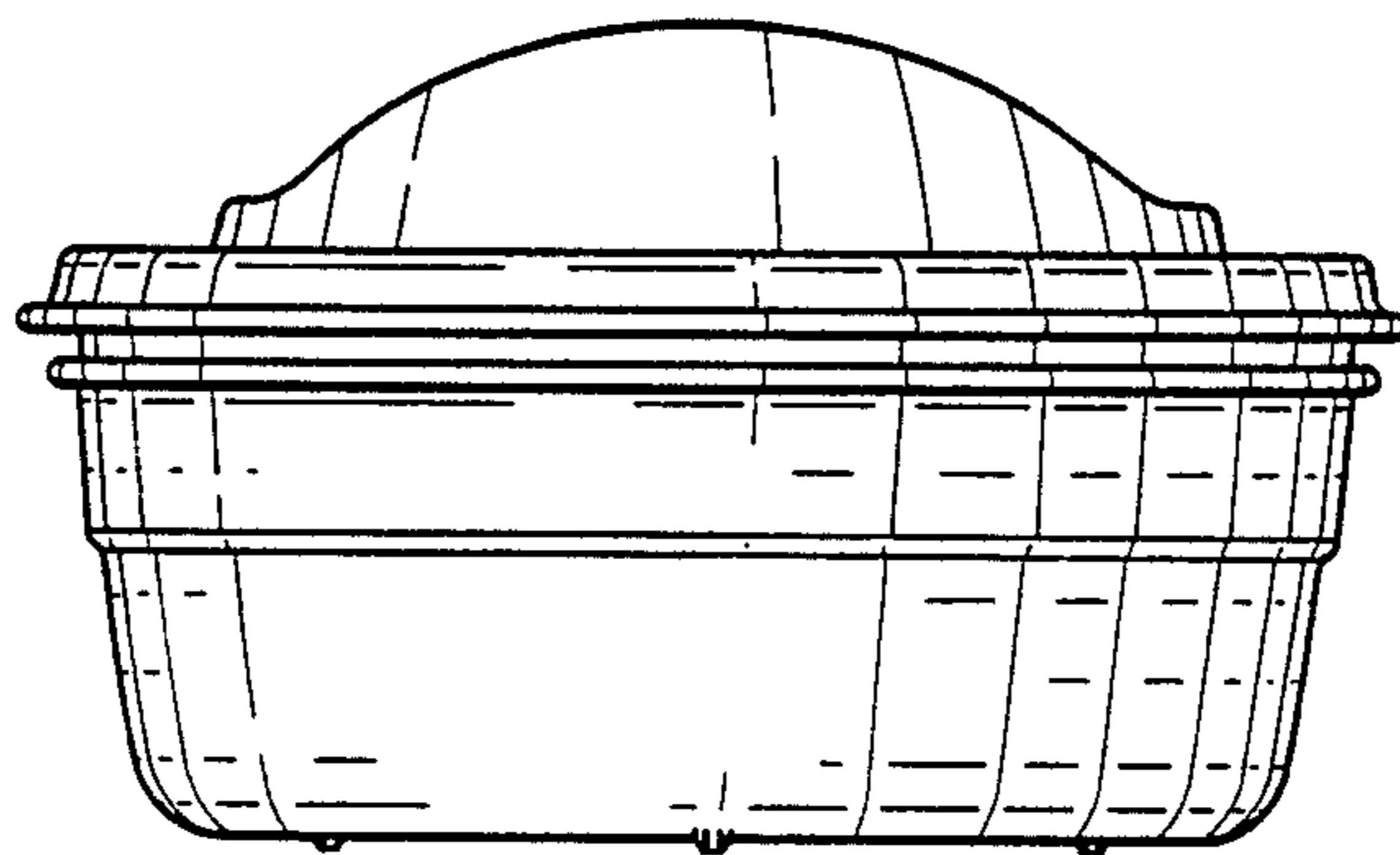


FIG. 3

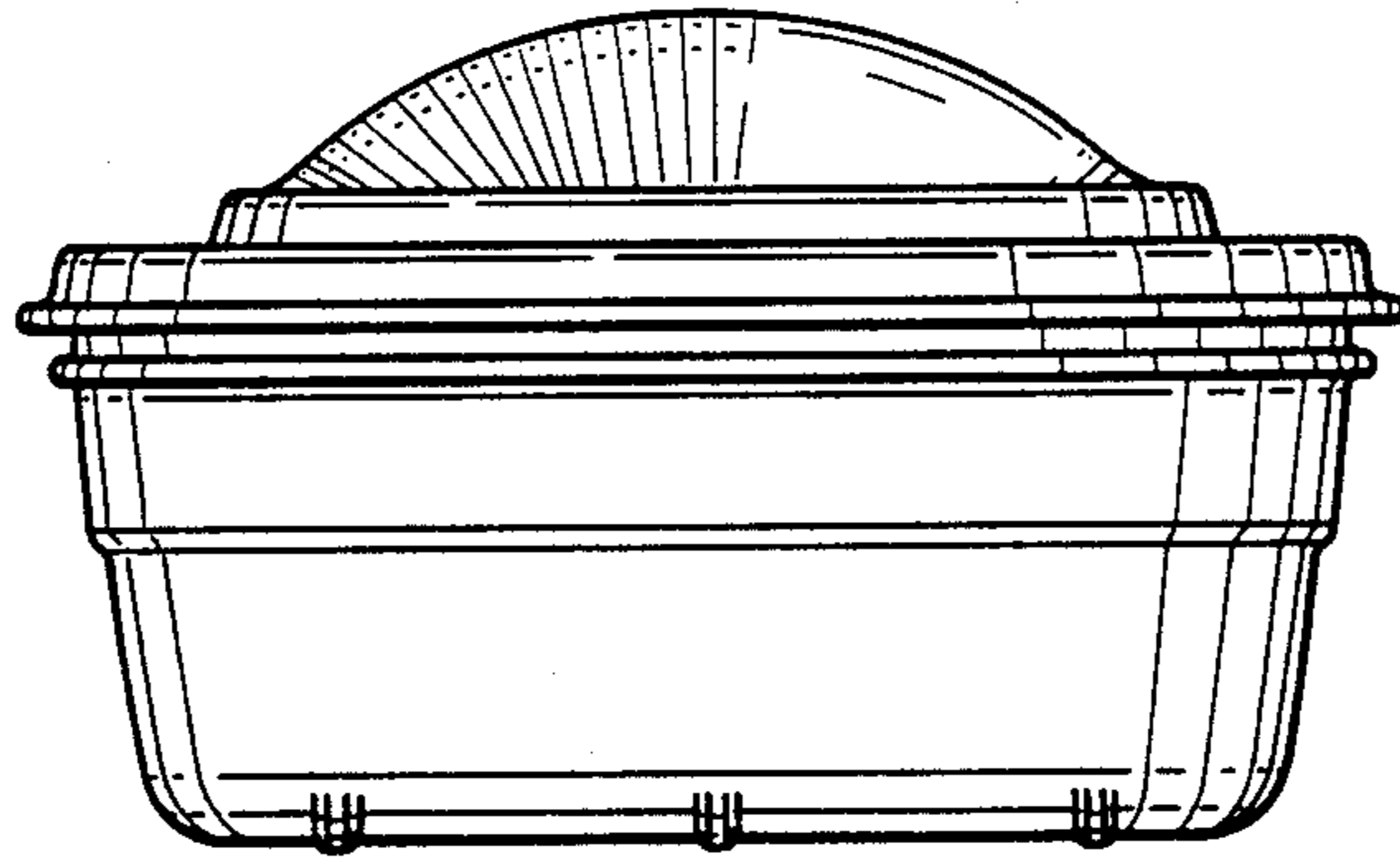


FIG. 4

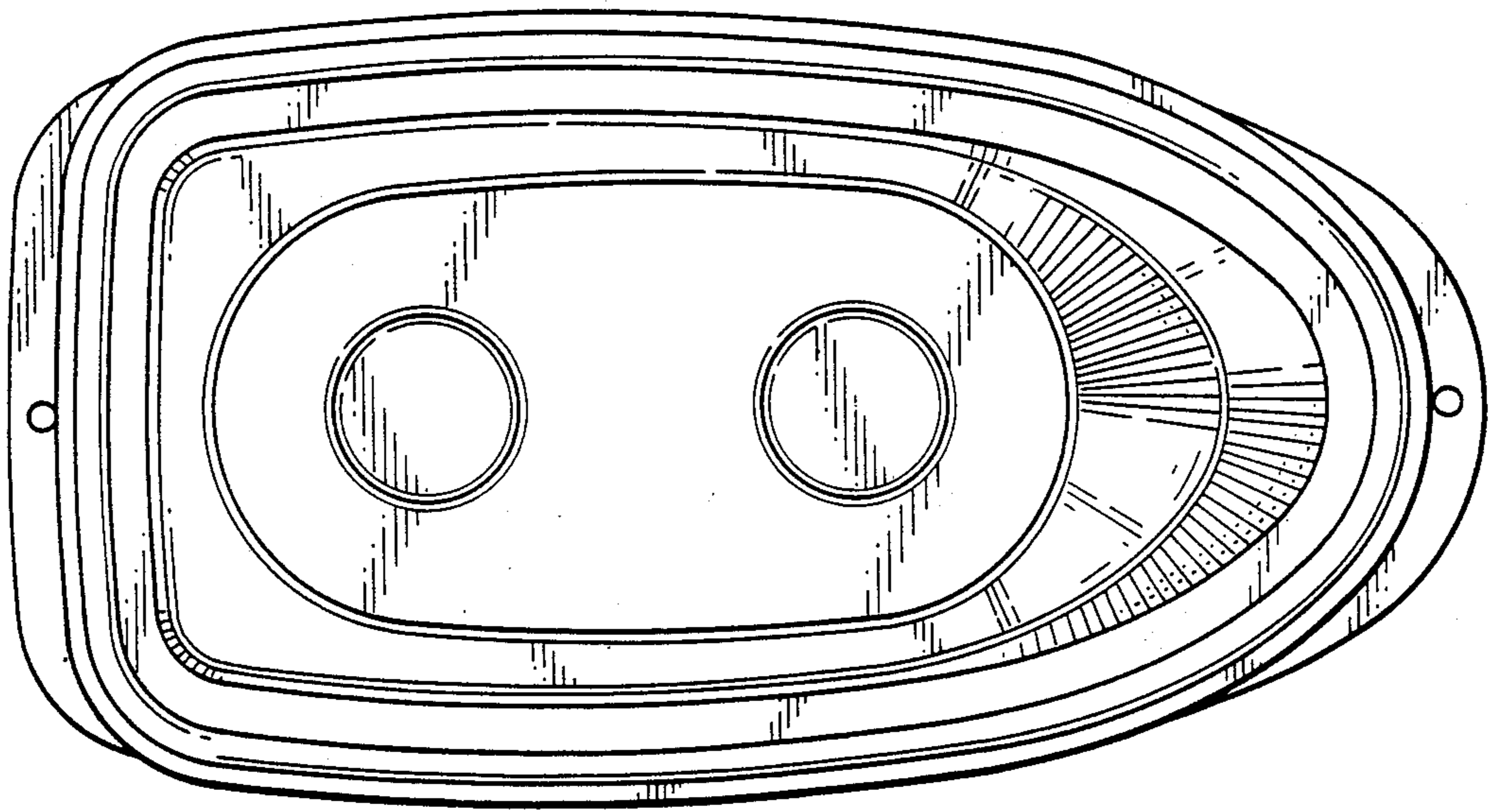


FIG. 5

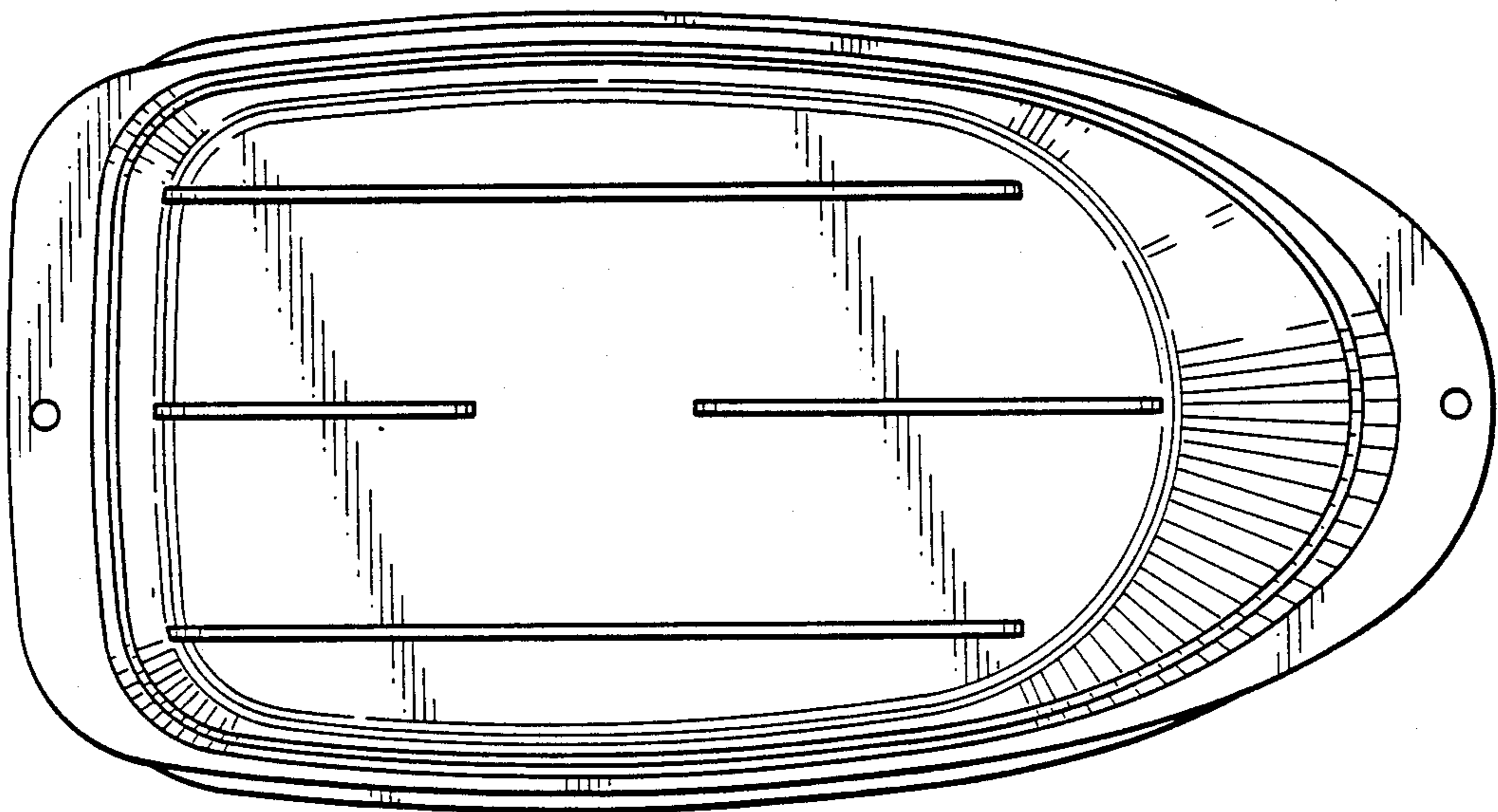


FIG. 6