

[54] TELEPHONE HANDSET

[75] Inventors: Golub Drakulovic, West Long Branch; Charles F. Liebler, Holmdel; Larry Sliker, Newton; Thomas L. Stahly, Howell; Donald E. Still, Leonardo, all of N.J.; Gordon E. Sylvester, Jamaica, N.Y.

[73] Assignee: American Telephone & Telegraph Company, AT&T Information Systems Inc., Murray Hill, N.J.

[**] Term: 14 Years

[21] Appl. No.: 29,066

[22] Filed: Mar. 23, 1987

[52] U.S. Cl. D14/63; D14/64; 379/433

[58] Field of Search D14/52, 53, 54, 56, D14/57, 58, 63, 64; 379/436, 432, 434, 428, 446, 433, 435, 440

[56] References Cited

U.S. PATENT DOCUMENTS

- D. 234,850 4/1975 Tyson et al. D14/64
- D. 245,500 8/1977 Fukushima et al. D14/53 X
- D. 246,103 10/1977 Taylor D14/53
- D. 255,681 7/1980 Read et al. D14/64

- D. 277,164 1/1985 Bevelacqua D14/53
- D. 278,626 4/1985 Takagi et al. D14/53
- D. 278,815 5/1985 Williams D14/53 X
- D. 279,005 5/1985 Genaro et al. D14/63
- D. 280,895 10/1985 Kao D14/64
- D. 280,986 10/1985 Kao D14/53
- D. 282,465 2/1986 Hurley et al. D14/64 X
- D. 286,404 10/1986 Skigen et al. D14/56 X
- D. 287,586 1/1987 Tanaka et al. D14/60 X
- 4,675,903 6/1987 Galezian et al. 379/433

Primary Examiner—James M. Gandy
Assistant Examiner—Horace B. Fay, Jr.
Attorney, Agent, or Firm—Samuel R. Williamson

[57] CLAIM

The ornamental design of a telephone handset, substantially as shown and described.

DESCRIPTION

FIG. 1 is a top, front and side perspective view of a telephone handset showing my new design;
FIG. 2 is a bottom, front and side perspective view thereof;
FIG. 3 is a top plan view thereof;
FIG. 4 is a bottom plan view thereof;
FIG. 5 is a side elevation thereof, the opposite side being essentially a mirror image of the side shown;
FIG. 6 is a front elevation thereof; and
FIG. 7 is a rear elevation thereof.

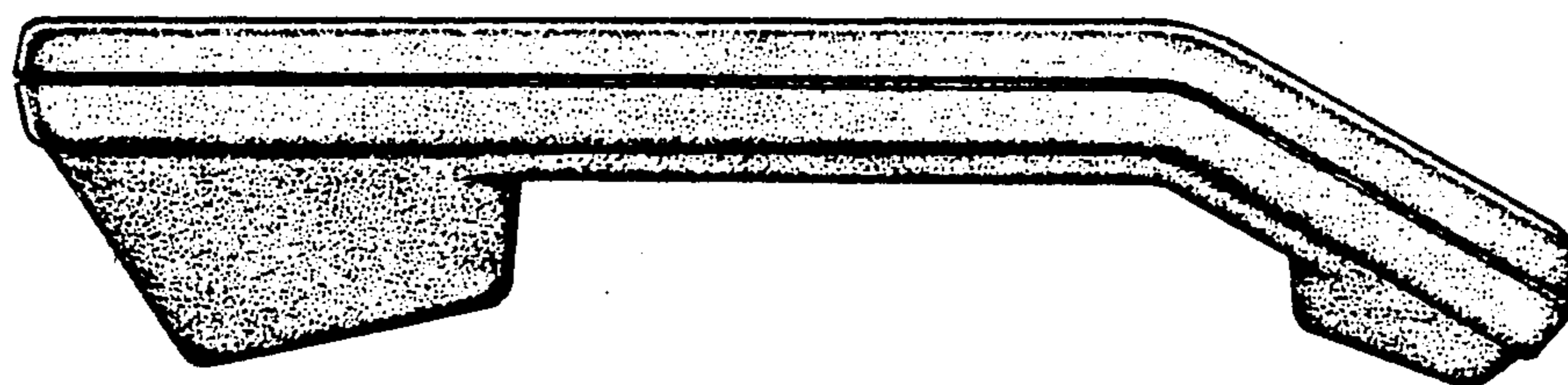
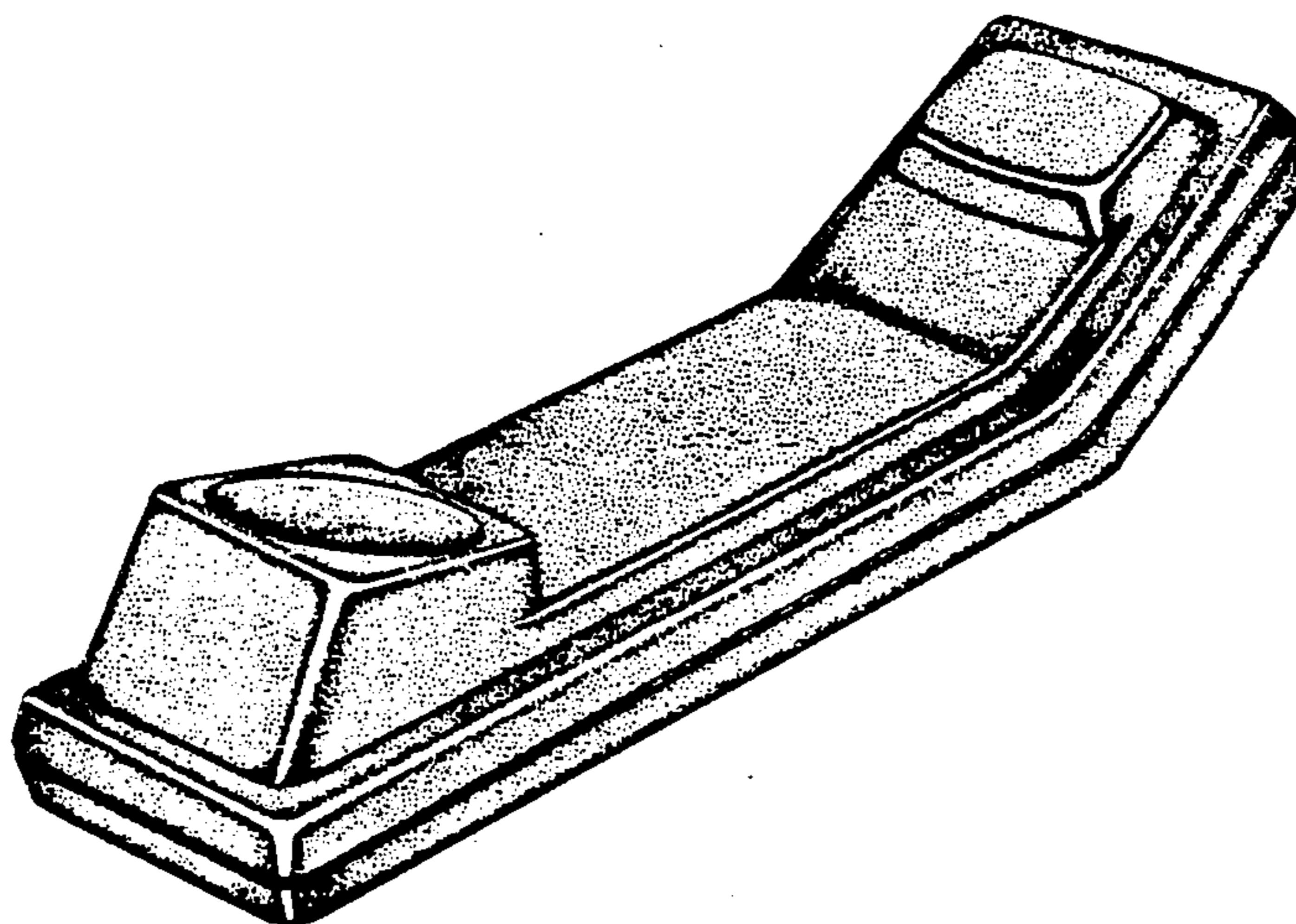


FIG. 1

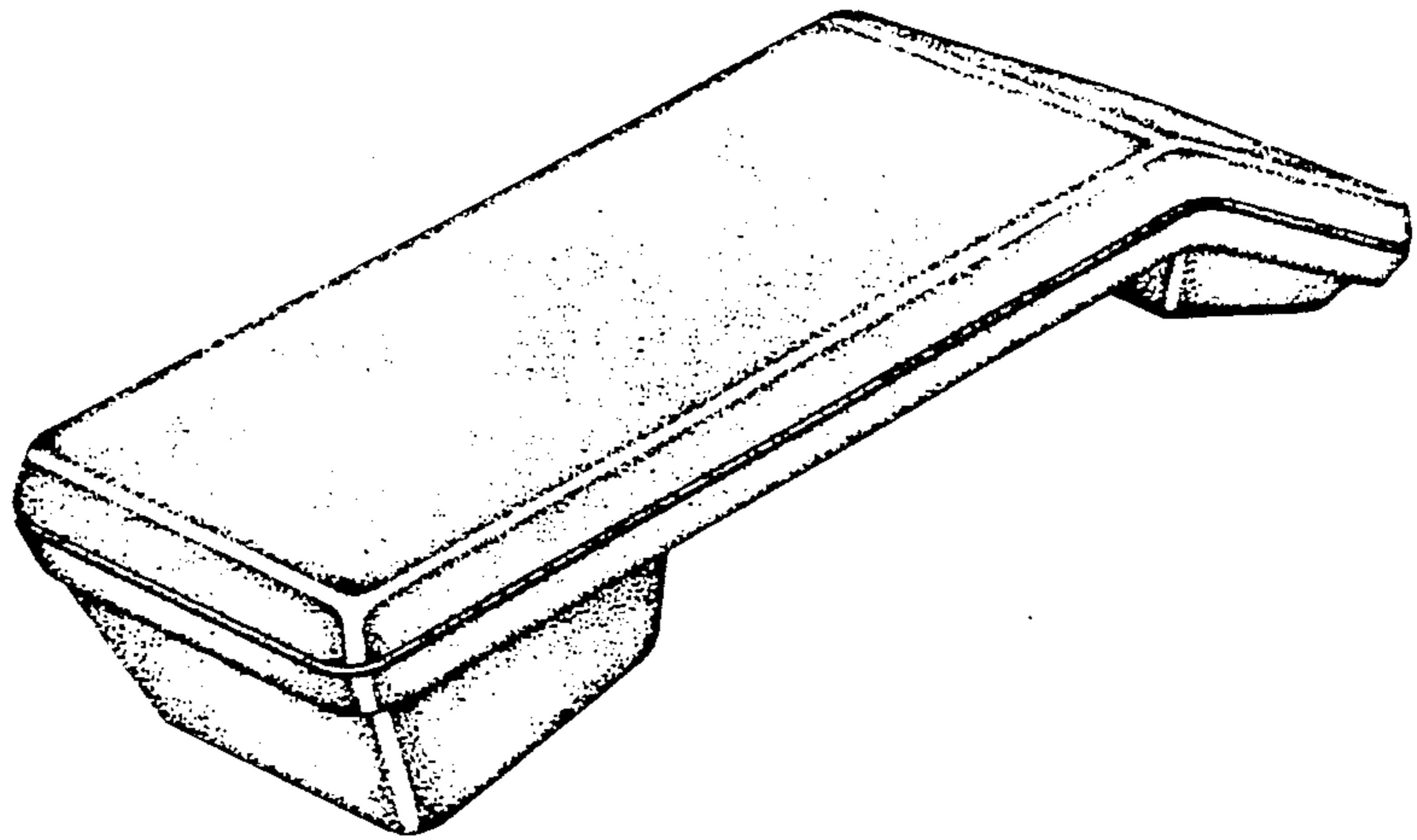


FIG. 2

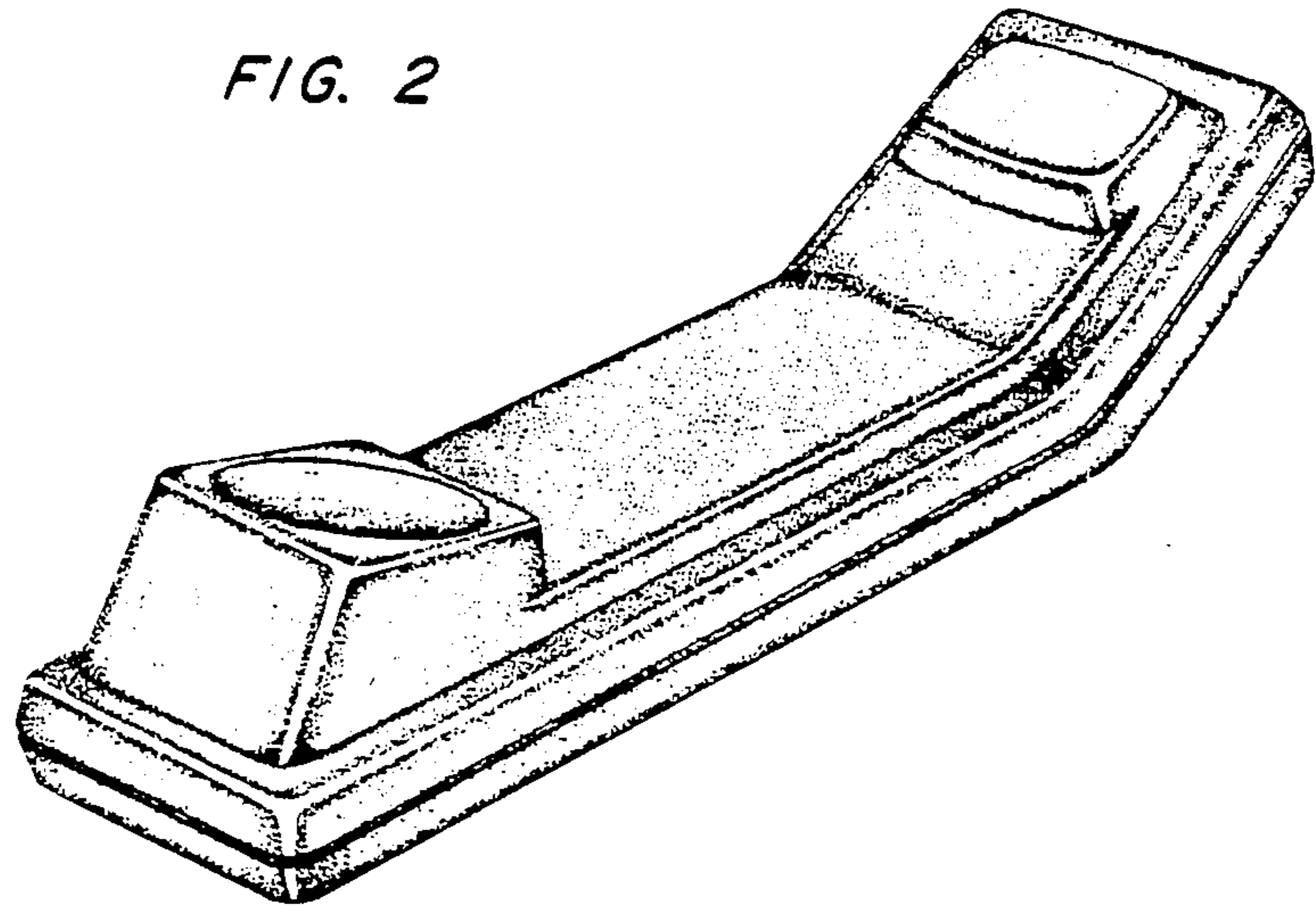


FIG. 3

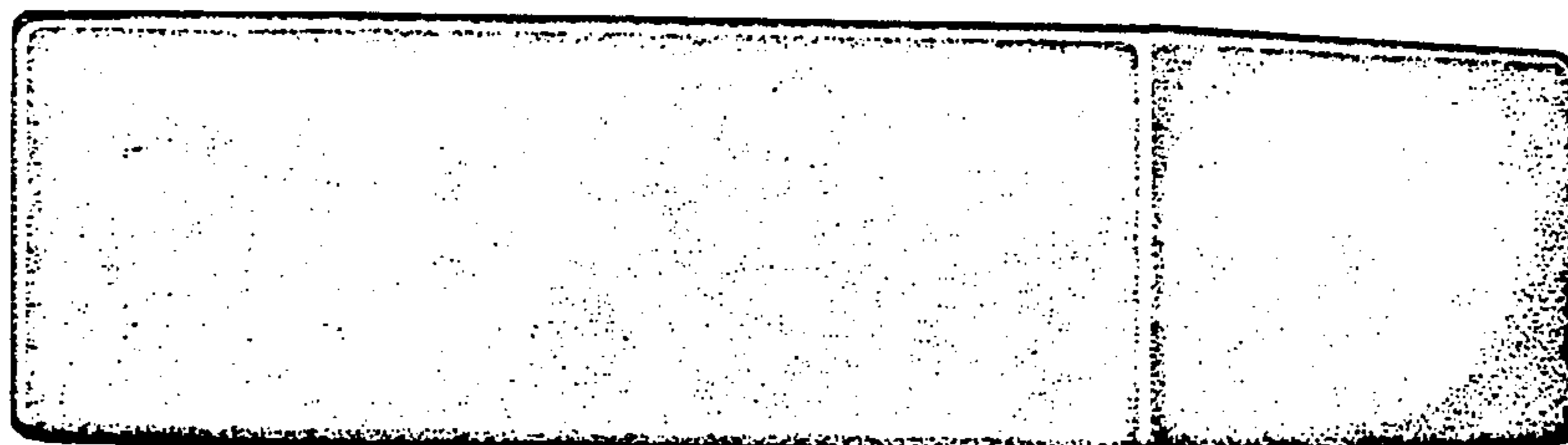


FIG. 4

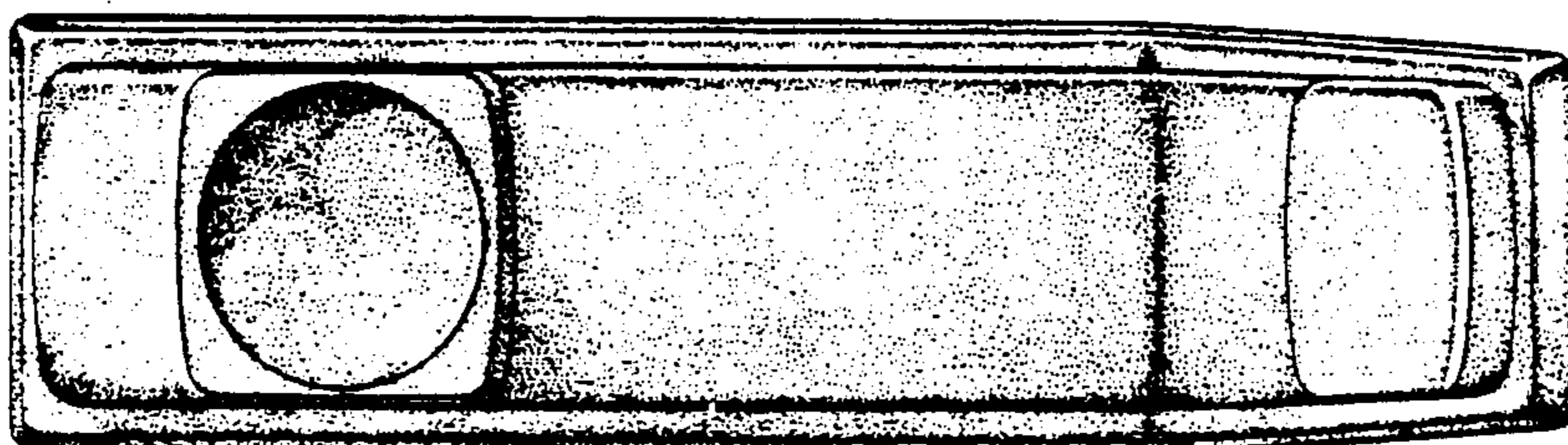


FIG. 5

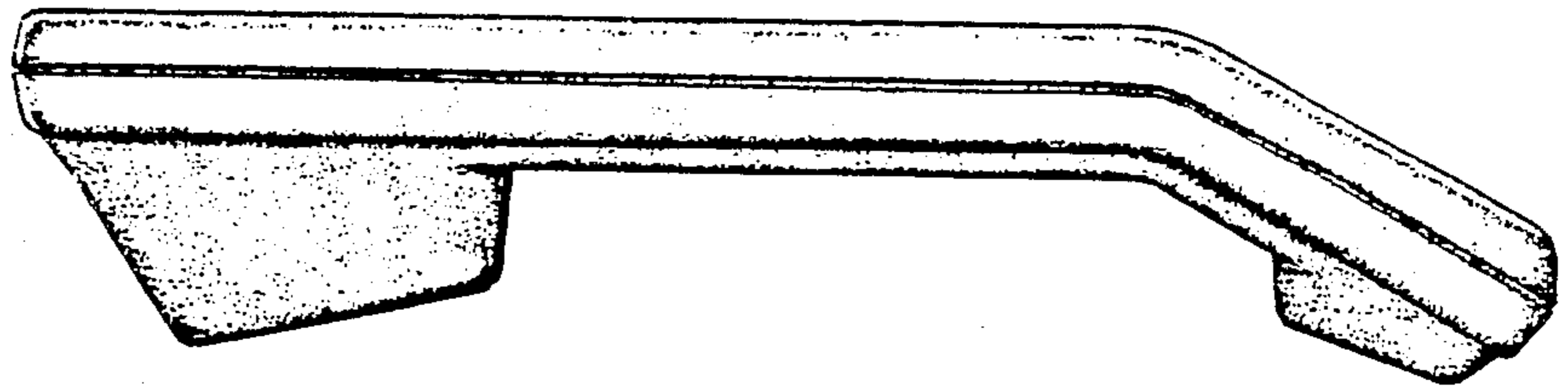


FIG. 6

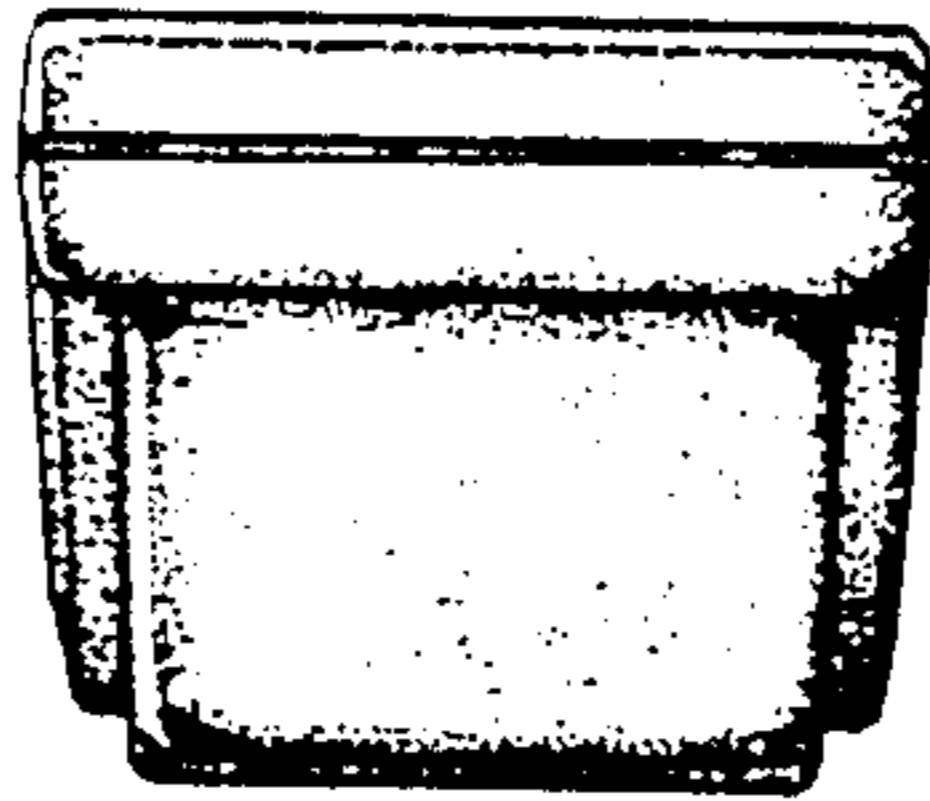


FIG. 7

