

[54] COMBINATION HANDSET AND STAND TELEPHONE INSTRUMENT

D. 287,490 12/1986 Sekiguchi et al. D14/58 X
D. 287,850 1/1987 Marshall D14/58 X
D. 287,852 1/1987 Brown et al. D14/58

[75] Inventors: Takashi Oshima, Tokyo; Hiroshi Satoh, Hino, both of Japan

Primary Examiner—Wallace R. Burke
Assistant Examiner—Horace B. Fay, Jr.
Attorney, Agent, or Firm—Oblon, Fisher, Spivak, McClelland & Maier

[73] Assignee: Iwatsu Electric Co., Ltd., Tokyo, Japan

[**] Term: 14 Years

[57] CLAIM

[21] Appl. No.: 856,150

The ornamental design for a combination handset and stand telephone instrument, substantially as shown and described.

[22] Filed: Apr. 18, 1986

[52] U.S. Cl. D14/58; D14/53; D14/62; D14/57

DESCRIPTION

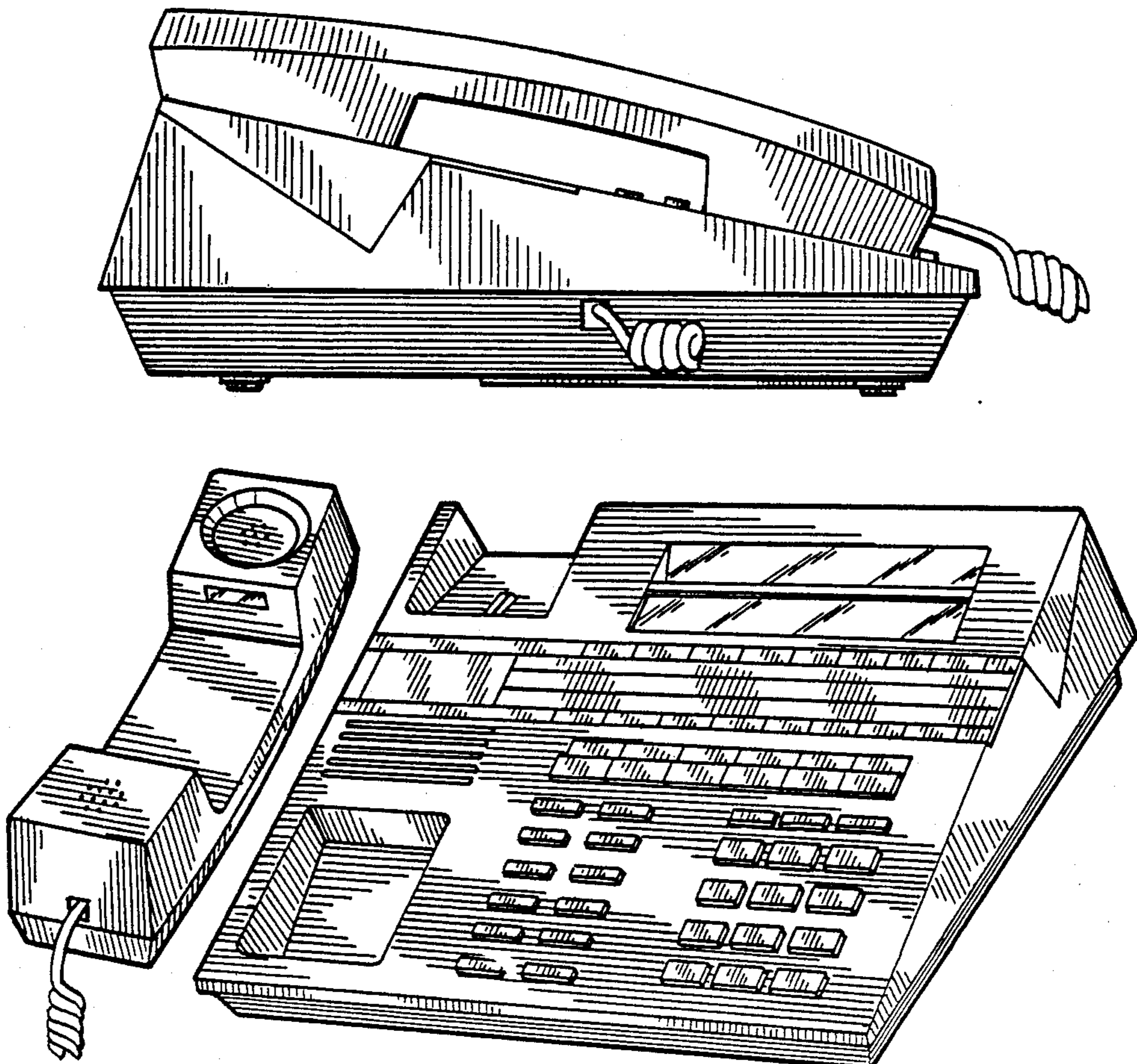
[58] Field of Search D14/53, 52, 62, 63, D14/57, 58; 379/432, 436, 428, 433, 419, 420, 422, 440

FIG. 1 is a top plan view of a combination handset and stand telephone instrument showing our new design; FIG. 2 is a front elevational view thereof; FIG. 3 is a bottom plan view thereof; FIG. 4 is a rear elevational view thereof; FIG. 5 is a side elevational view thereof taken from the right side of FIG. 1; FIG. 6 is a side elevational view thereof taken from the left side of FIG. 1; FIG. 7 is a perspective view thereof; and FIG. 8 is an associated perspective view thereof, showing (1) its handset inverted and spaced apart from the stand, and (2) the stand alone. The showing of the cord in fragmentary form is for convenience of illustration.

[56] References Cited

U.S. PATENT DOCUMENTS

- D. 280,617 9/1985 Inaba D14/58
- D. 280,720 9/1985 Miura et al. D14/62 X
- D. 281,422 11/1985 Miura et al. D14/62 X
- D. 282,066 1/1986 Menei et al. D14/62 X
- D. 283,507 4/1986 Van Gilloeve D14/58 X
- D. 286,042 10/1986 Fukutani D14/62 X
- D. 287,012 12/1986 Yanagida et al. D14/57 X
- D. 287,361 12/1986 Sekiguchi et al. D14/62 X
- D. 287,489 12/1986 Sekiguchi et al. D14/58 X



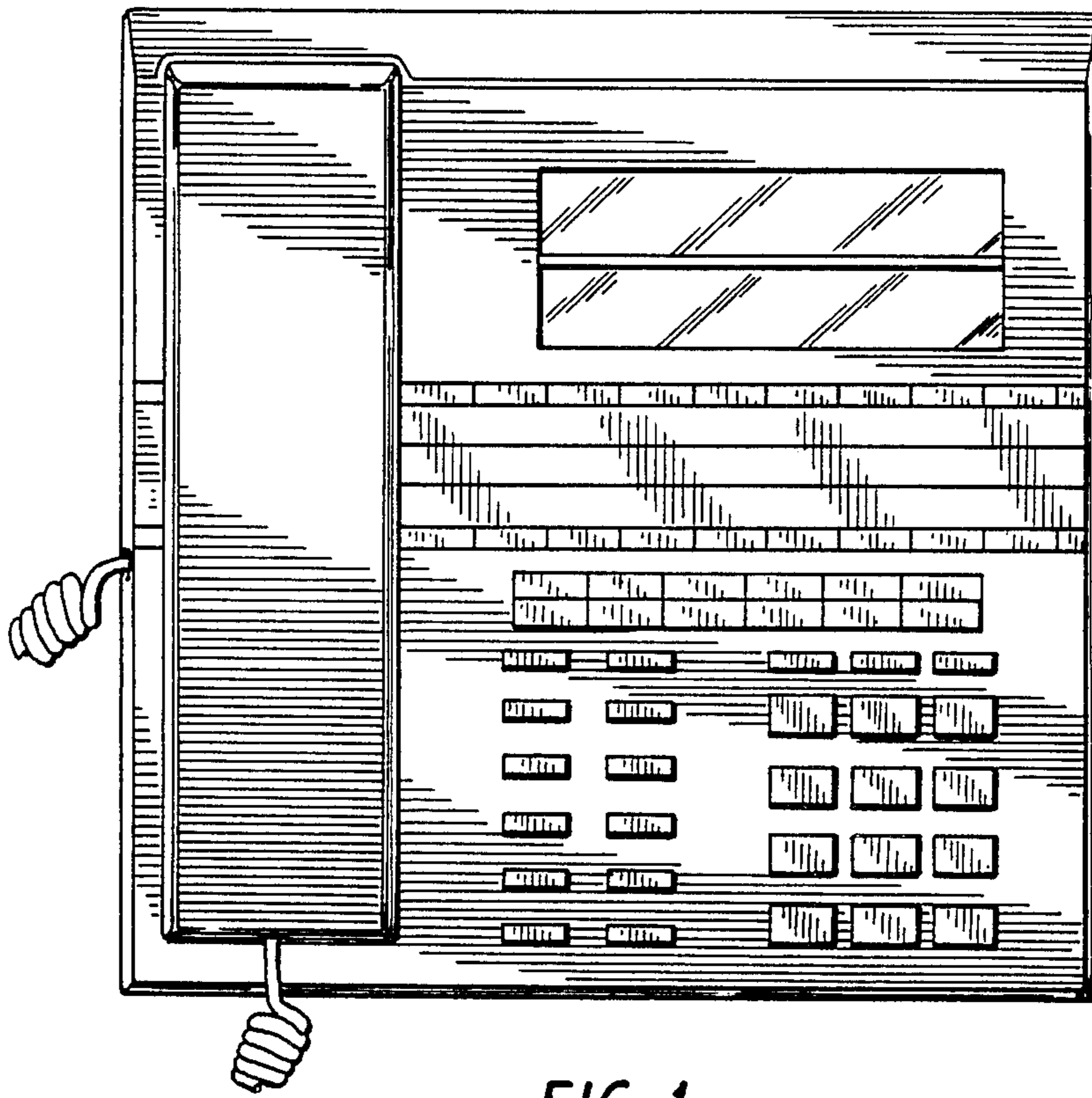


FIG. 1

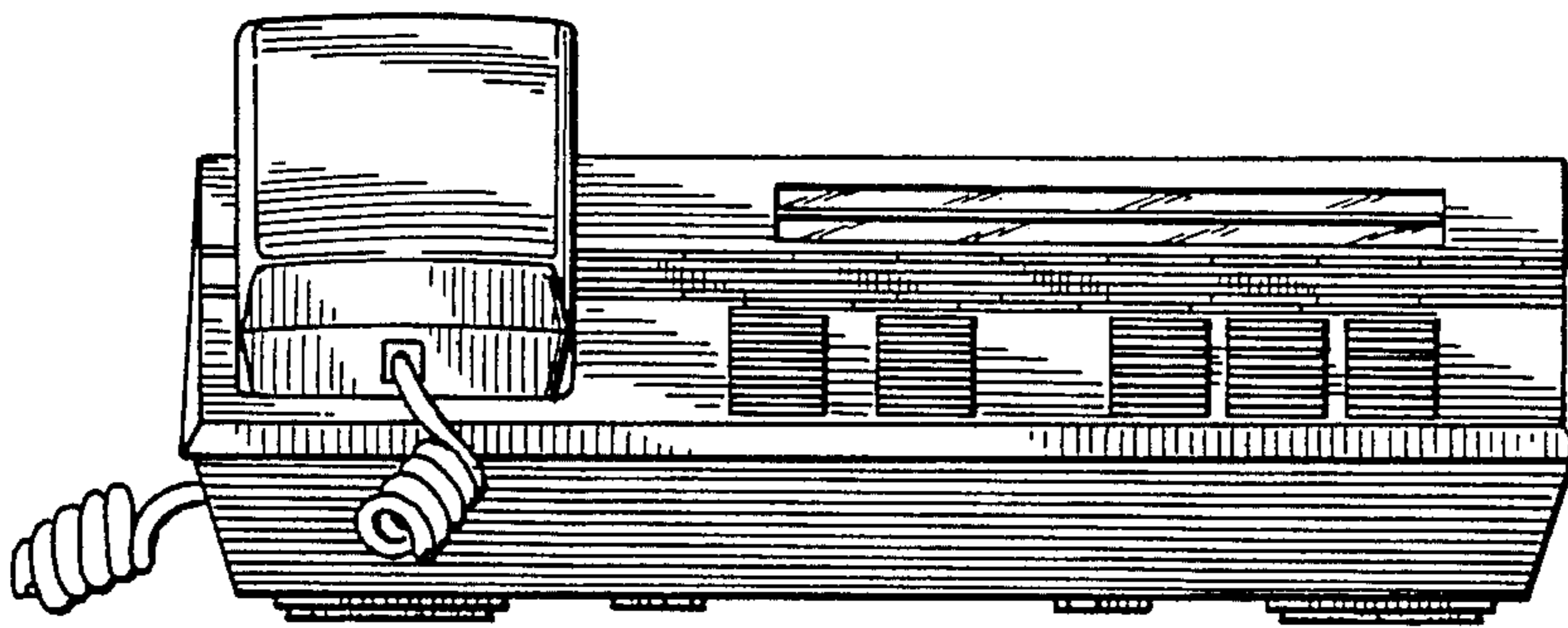
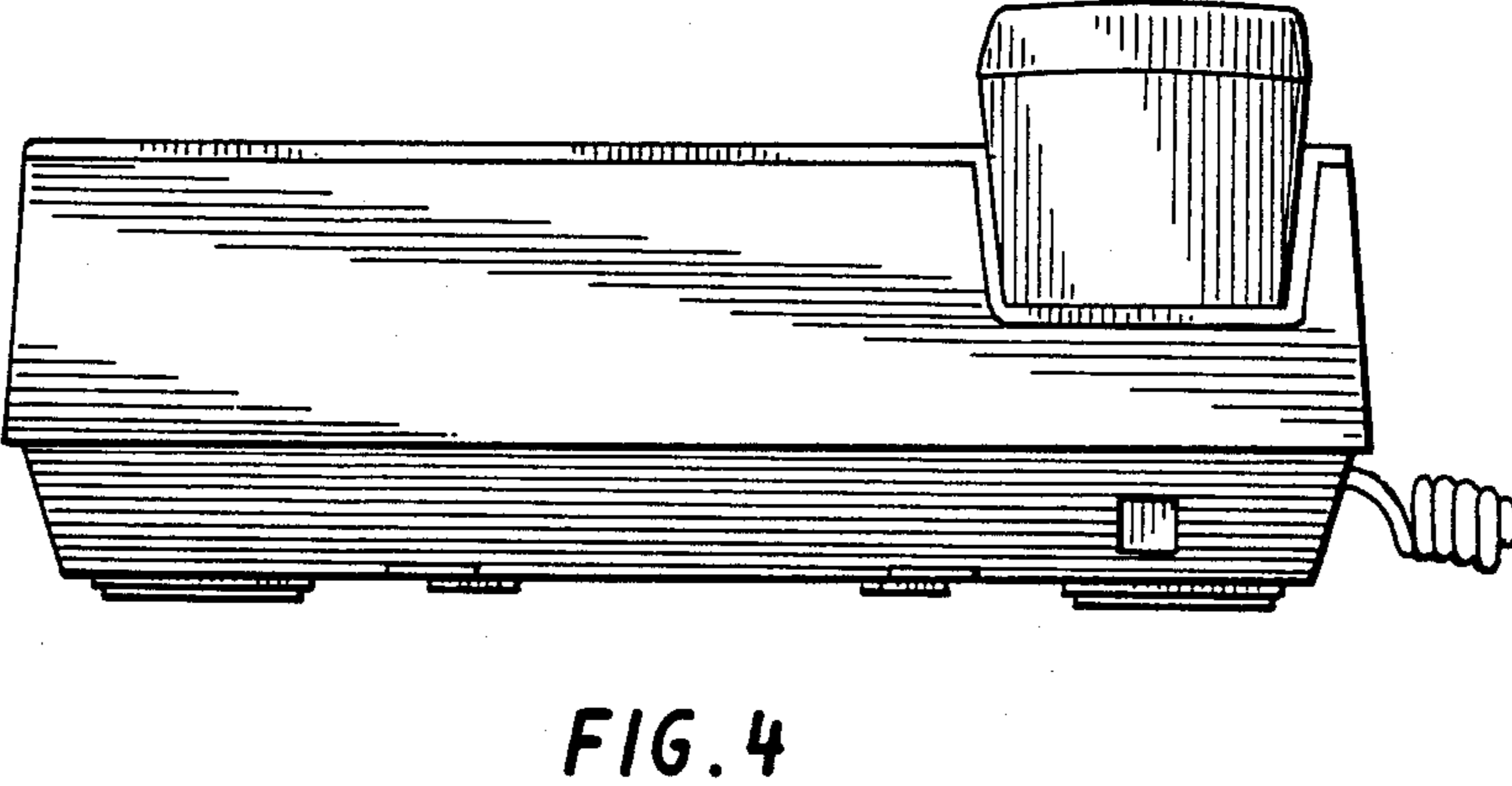
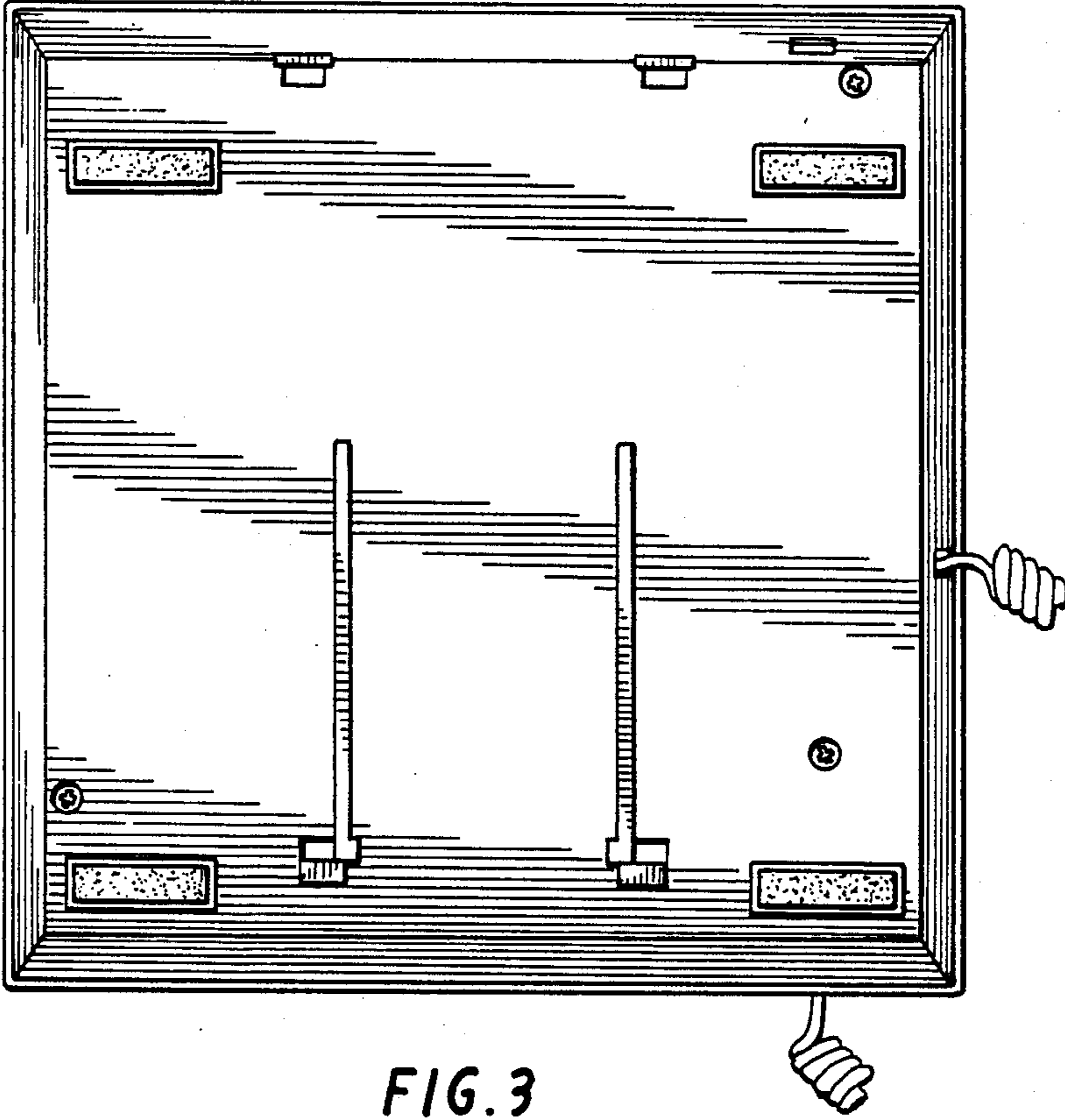


FIG. 2



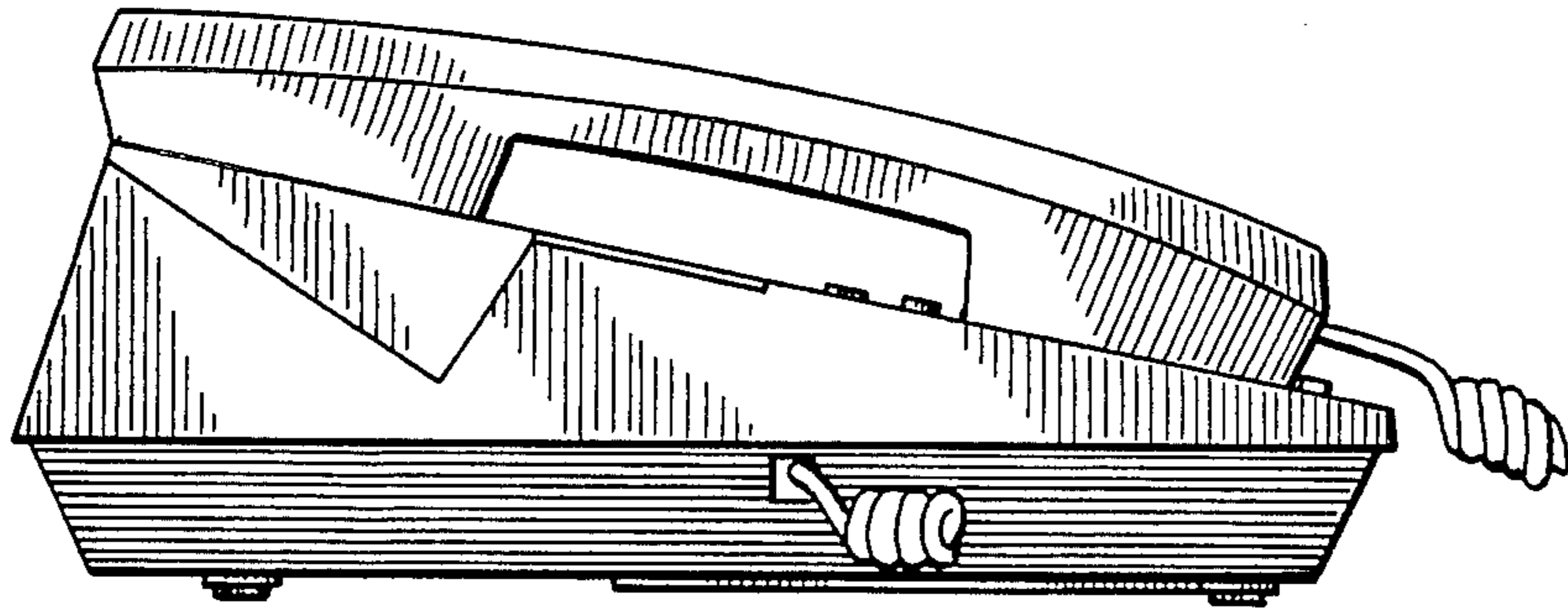


FIG. 6

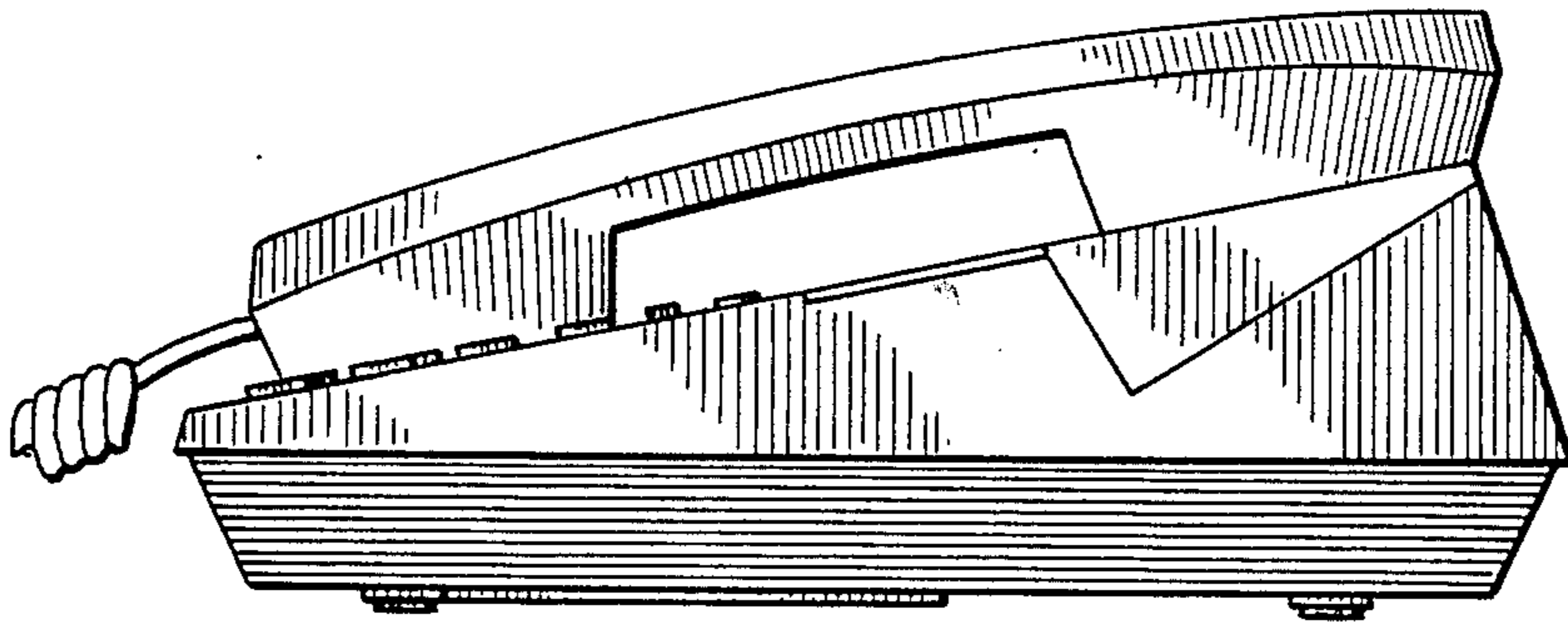


FIG. 5

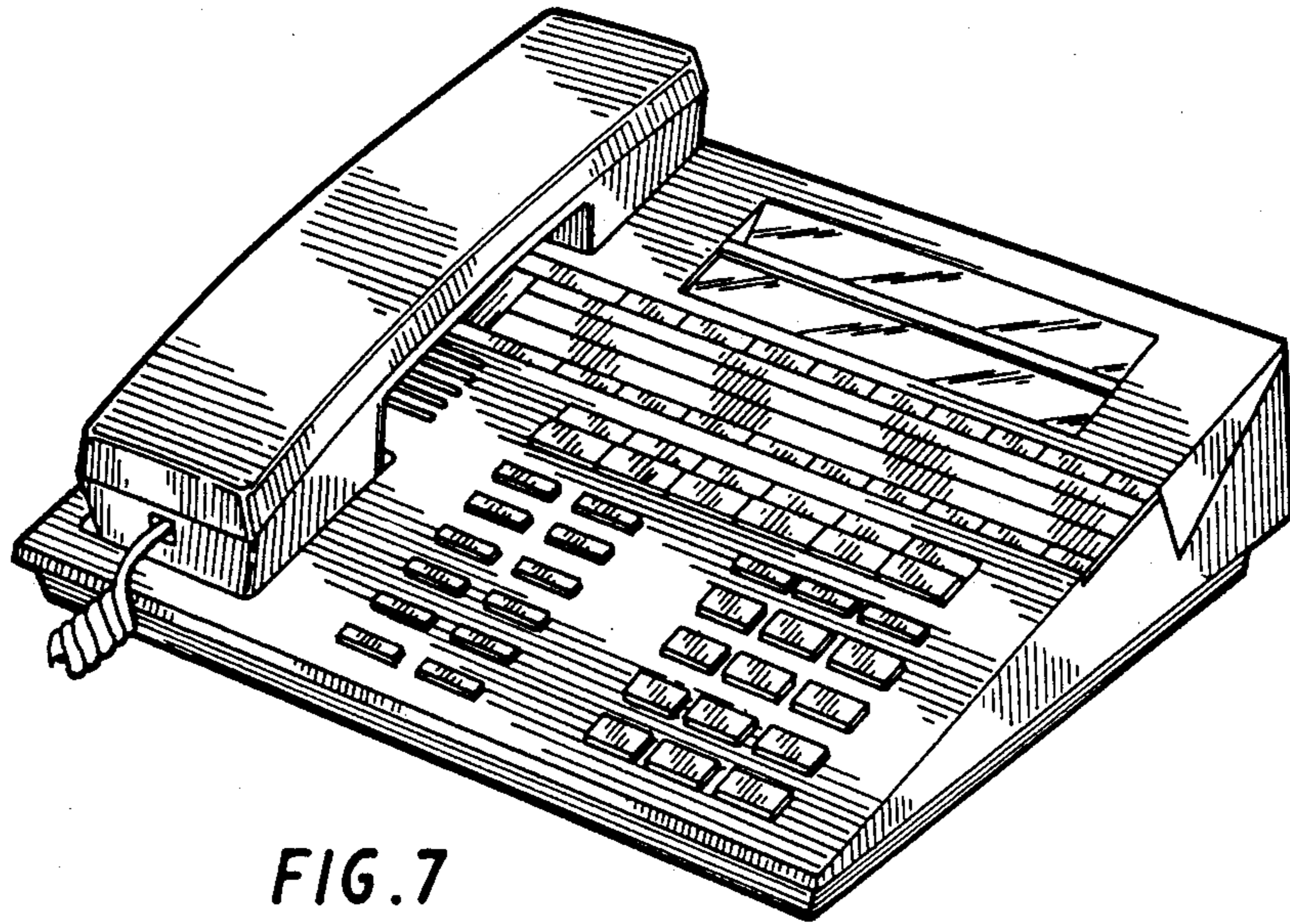


FIG. 7

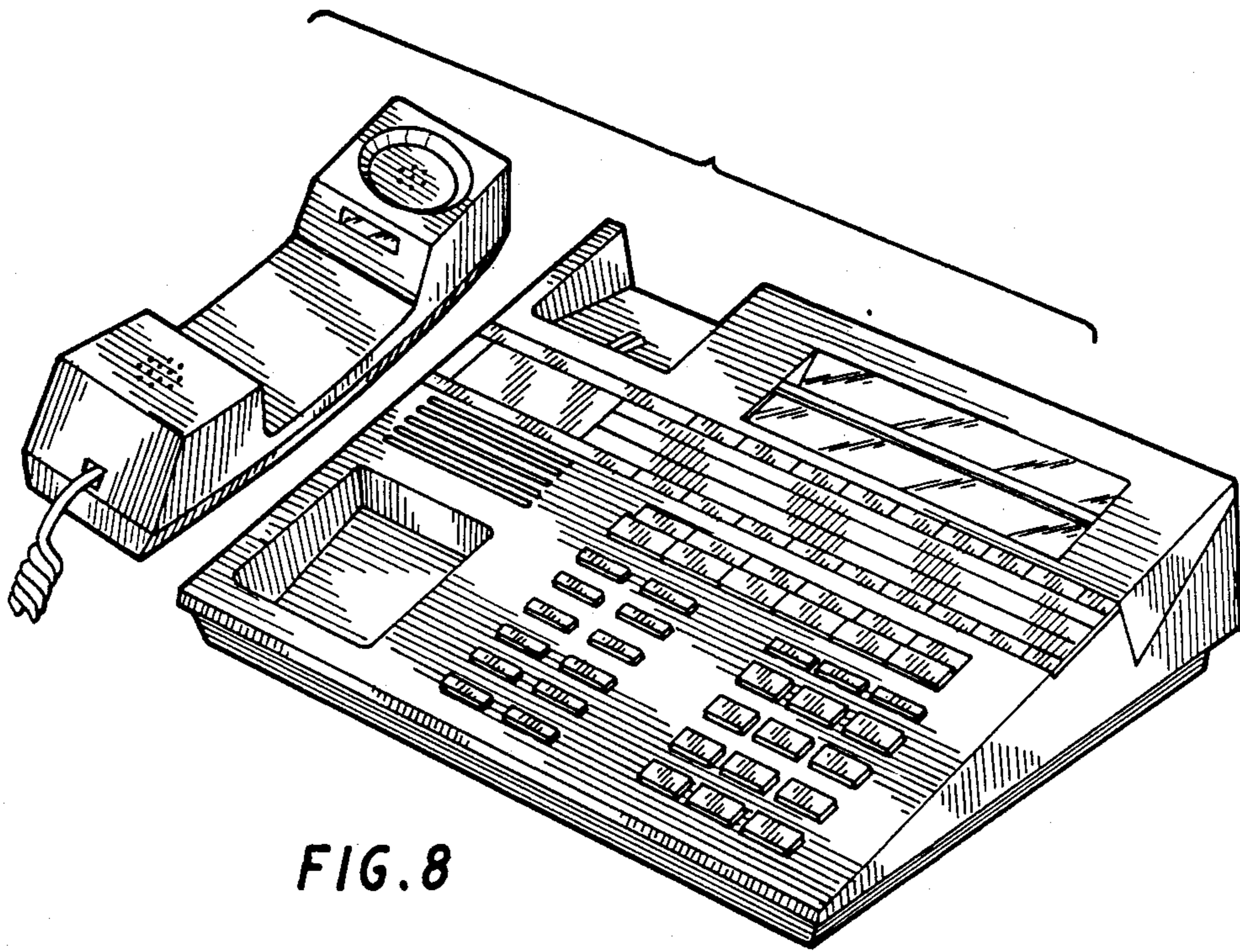


FIG. 8

UNITED STATES PATENT AND TRADEMARK OFFICE
CERTIFICATE OF CORRECTION

PATENT NO. : Des. 294,497
DATED : Mar. 1, 1988
INVENTOR(S) : Takashi OSHIMA, et al.

It is certified that error appears in the above-identified patent and that said Letters Patent is hereby corrected as shown below:

ON THE TITLE PAGE:

The following Foreign Application Priority Data should be listed:

--Dec. 3, 1985 [JP] Japan 50358/85
Dec. 3, 1985 [JP] Japan 50359/85--

**Signed and Sealed this
Second Day of August, 1988**

Attest:

DONALD J. QUIGG

Attesting Officer

Commissioner of Patents and Trademarks