

[54] TELEPHONE SET OR SIMILAR ARTICLE

[75] Inventors: Golub Drakulovic, West Long Branch; Charles F. Liebler, Holmdel; Larry Sliker, Newton; Thomas L. Stahly, Howell; Donald E. Still, Leonardo, all of N.J.; Gordon E. Sylvester, Jamaica, N.Y.

[73] Assignee: American Telephone & Telegraph Company, AT&T Information Systems Inc., Murray Hill, N.J.

[**] Term: 14 Years

[21] Appl. No.: 29,067

[22] Filed: Mar. 23, 1987

[52] U.S. Cl. D14/53; D14/62; D14/63; D14/60

[58] Field of Search D14/52, 53, 54, 56, D14/57, 58, 60, 63, 64; 379/436, 432, 434, 428, 446, 435, 440, 419

[56] References Cited

U.S. PATENT DOCUMENTS

- D. 167,674 9/1952 Bronson D14/60 X
D. 203,544 1/1966 Dreyfuss et al. D14/60 X
D. 203,595 2/1966 Komp D14/56
D. 234,850 4/1975 Tyson et al. D14/64
D. 245,500 8/1977 Fukushima et al. D14/53 X
D. 246,103 10/1977 Taylor D14/53
D. 252,752 8/1979 Fukushima et al. D14/53
D. 255,681 7/1980 Read et al. D14/64
D. 265,733 8/1982 Fukushima et al. D14/53
D. 266,506 10/1982 Fukushima et al. D14/60 X
D. 267,317 12/1982 Fukushima et al. D14/53
D. 270,248 11/1983 Fukushima et al. D14/53
D. 271,489 11/1983 Fukushima et al. D14/53

- D. 277,164 6/1985 Buvilaoqua D14/53
D. 278,626 4/1985 Takagi et al. D14/53
D. 278,815 5/1985 Williams D14/53 X
D. 279,005 5/1985 Genaro et al. D14/63
D. 280,895 10/1985 Kao D14/64
D. 280,986 10/1985 Kao D14/53
D. 282,465 2/1986 Hurley et al. D14/64 X
D. 283,707 5/1986 Goodin et al. D14/56 X
D. 286,404 10/1986 Skigen et al. D14/56 X
D. 287,586 1/1987 Tanaka et al. D14/60 X
4,122,304 10/1978 Mallien 179/2 EB
4,675,903 6/1987 Golezian et al. 379/433

Primary Examiner—James M. Gandy
Assistant Examiner—Horace B. Fay, Jr.
Attorney, Agent, or Firm—Samuel R. Williamson

[57] CLAIM

The ornamental design of a telephone set or similar article, substantially as shown and described.

DESCRIPTION

FIG. 1 is a front elevational view of a telephone set or similar article in cradled relationship showing my new design;
FIG. 2 is a rear elevation thereof;
FIG. 3 is a right side elevation thereof;
FIG. 4 is a left side elevation thereof;
FIG. 5 is a top plan view thereof;
FIG. 6 is a bottom plan view thereof;
FIG. 7 is a top, rear and side perspective view thereof;
FIG. 8 is a top, rear and side perspective view, with the handset removed from the telephone base; and
FIG. 9 is a top, rear and side perspective view of the telephone base, with the handset removed from the telephone base and in an inverted position.
The broken line showing of a coiled cord in FIGS. 2-9 is for illustrative purposes only and forms no part of the claimed design.

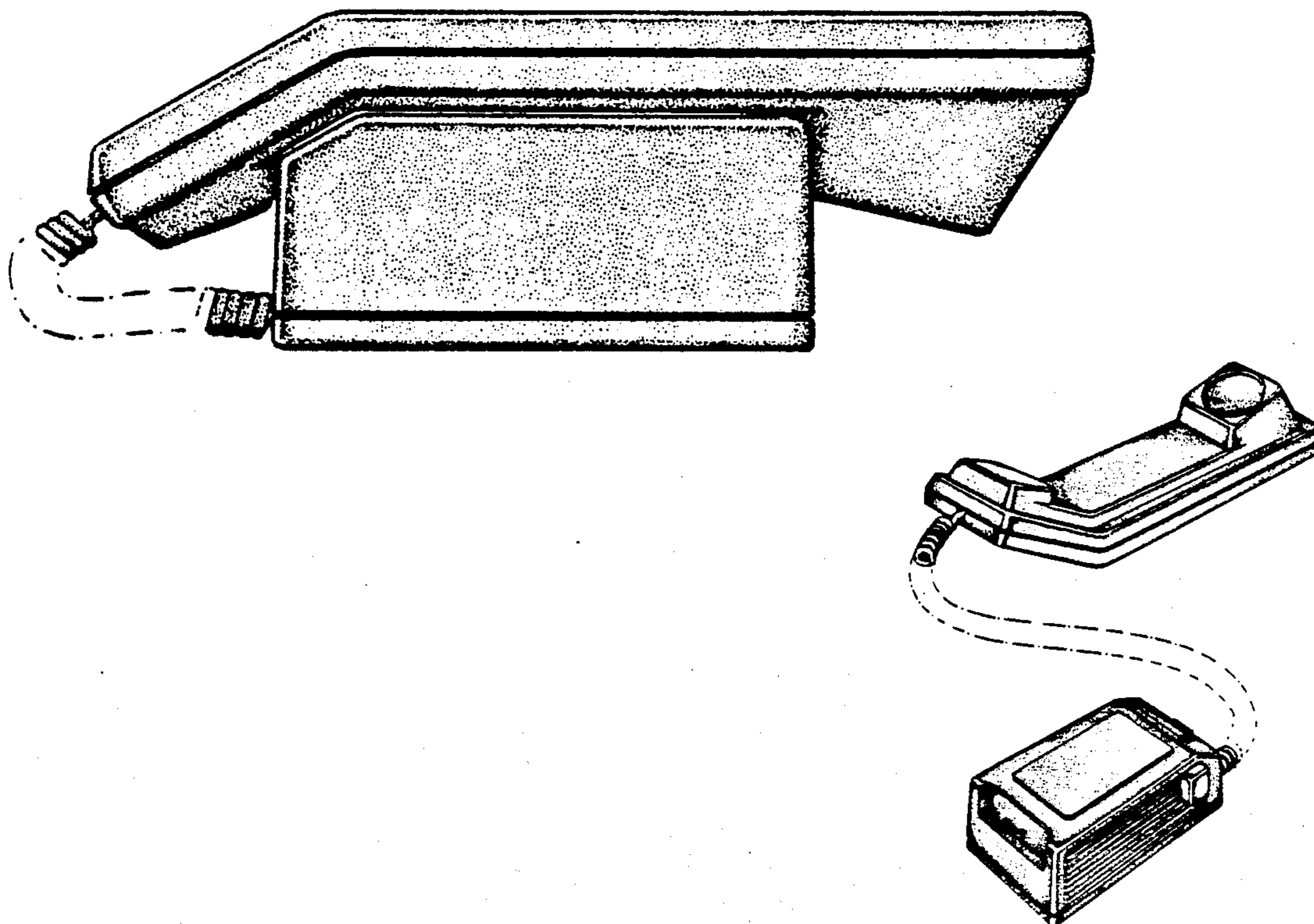


FIG. 1

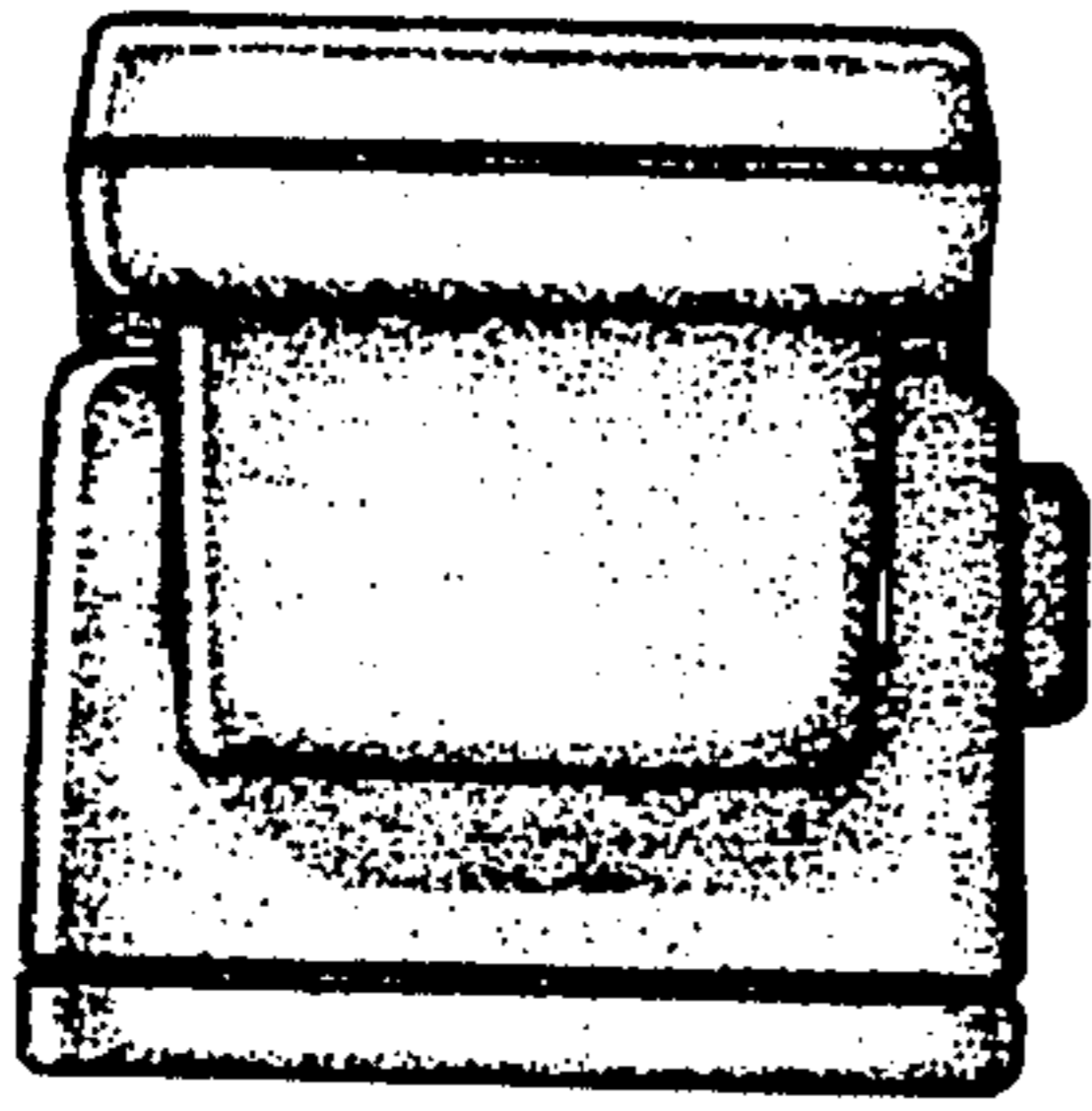


FIG. 2

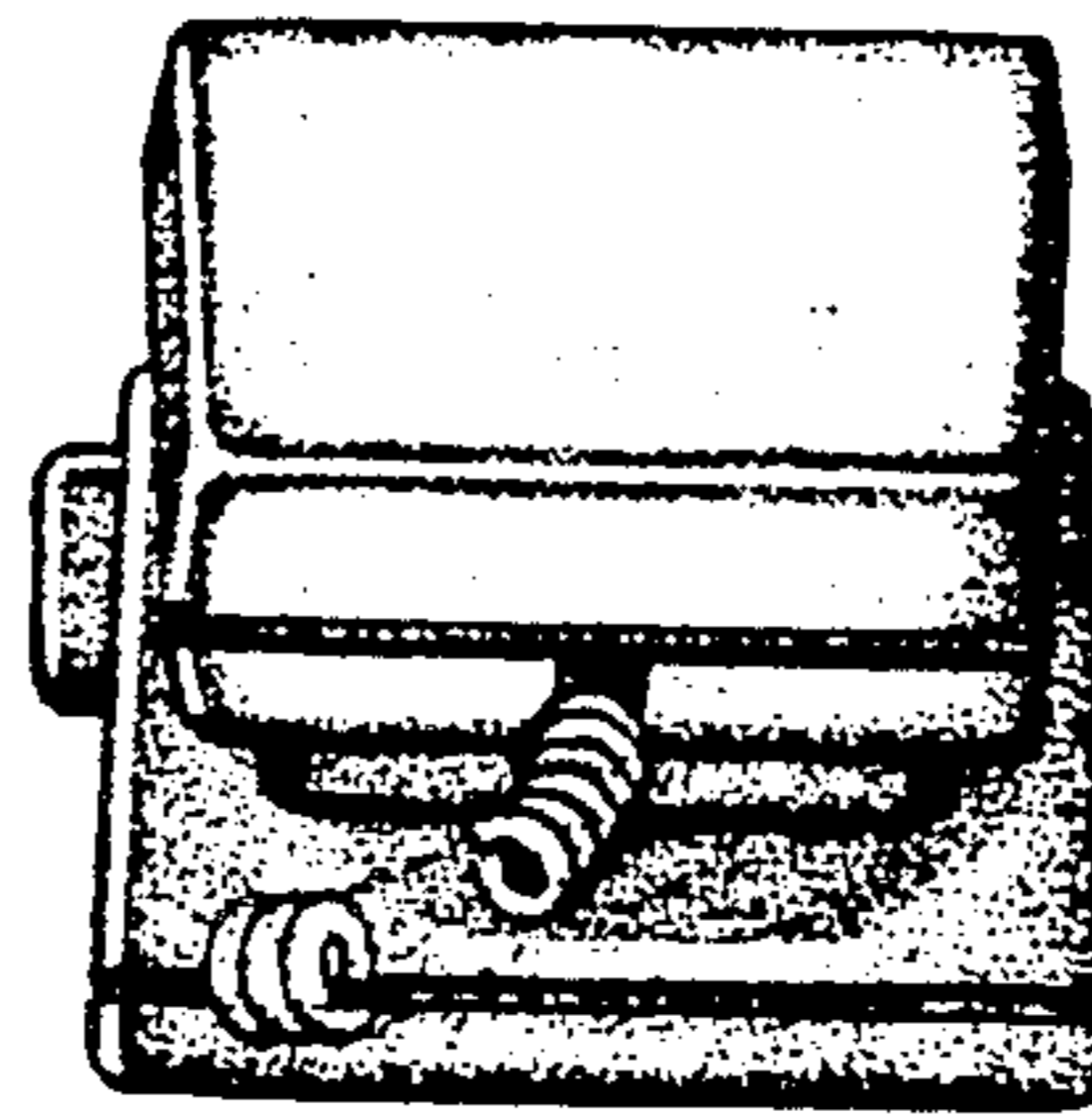


FIG. 3

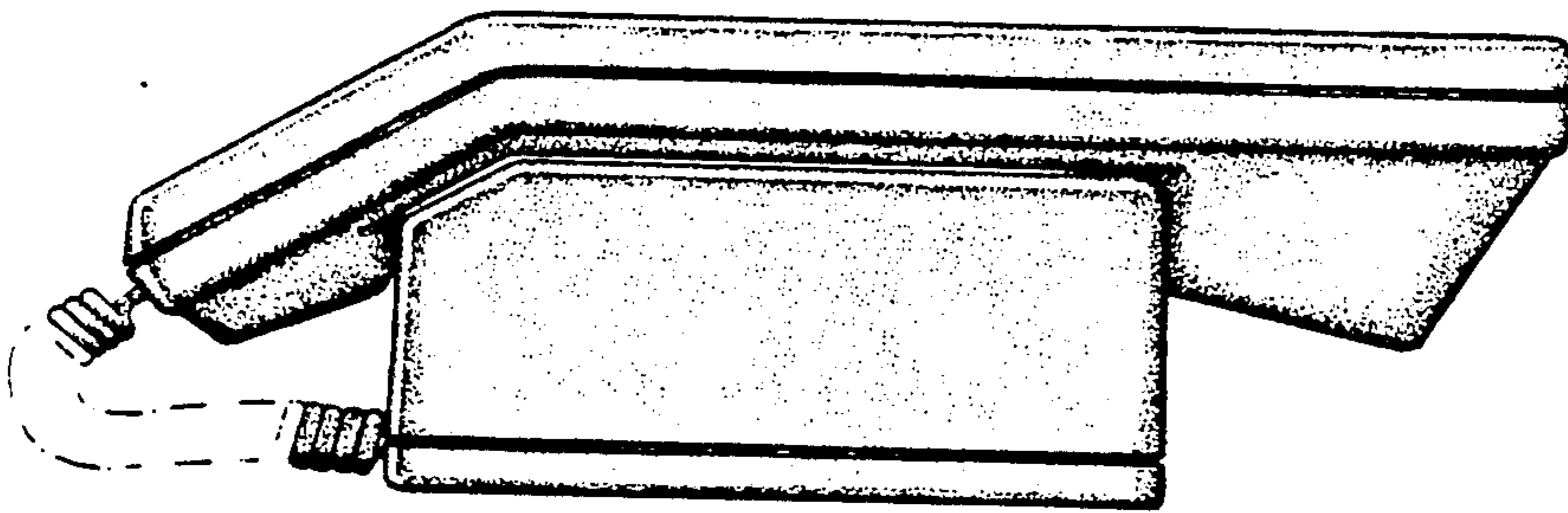


FIG. 4

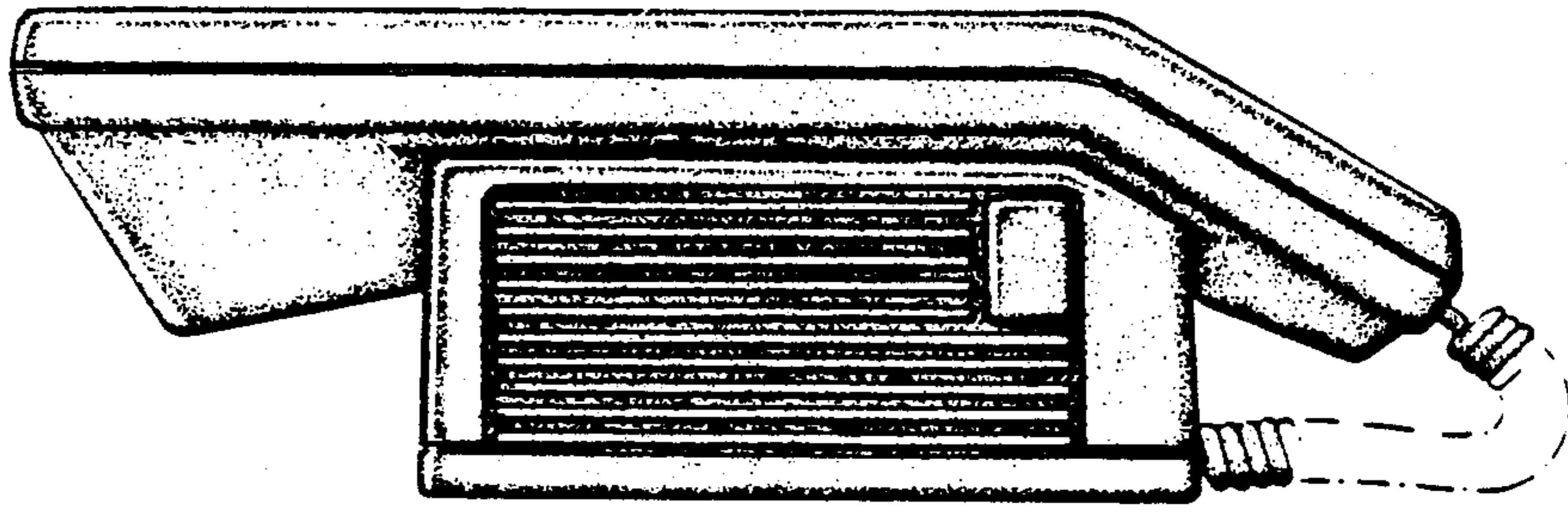


FIG. 5



FIG. 6

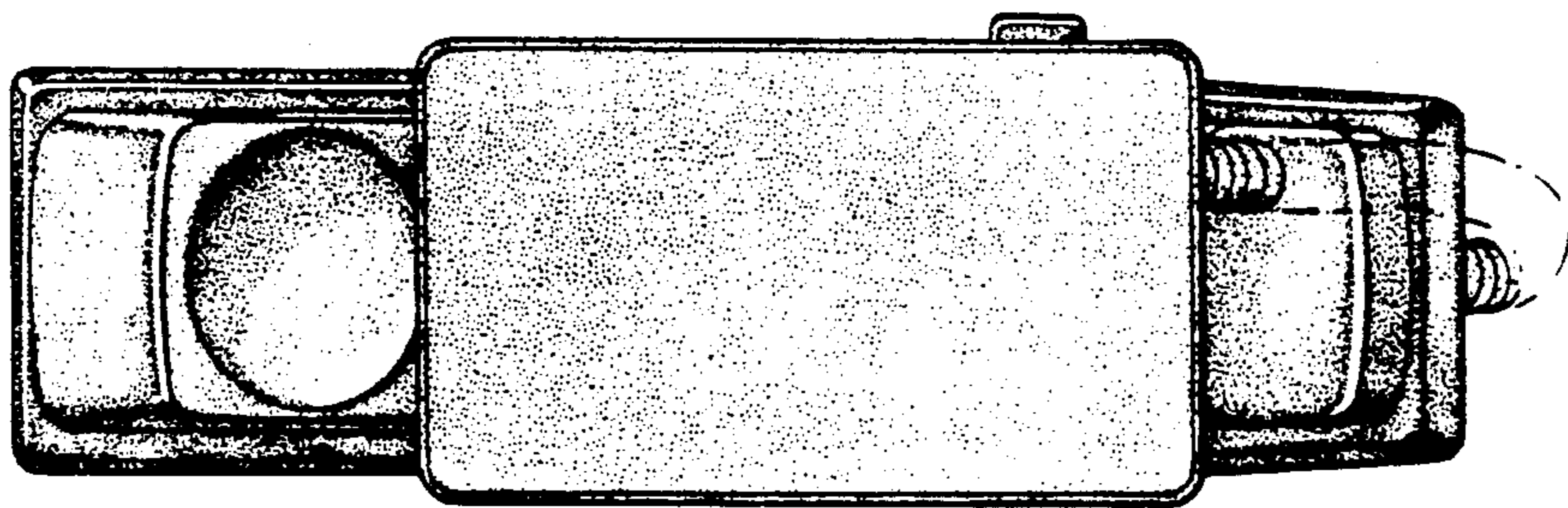


FIG. 7

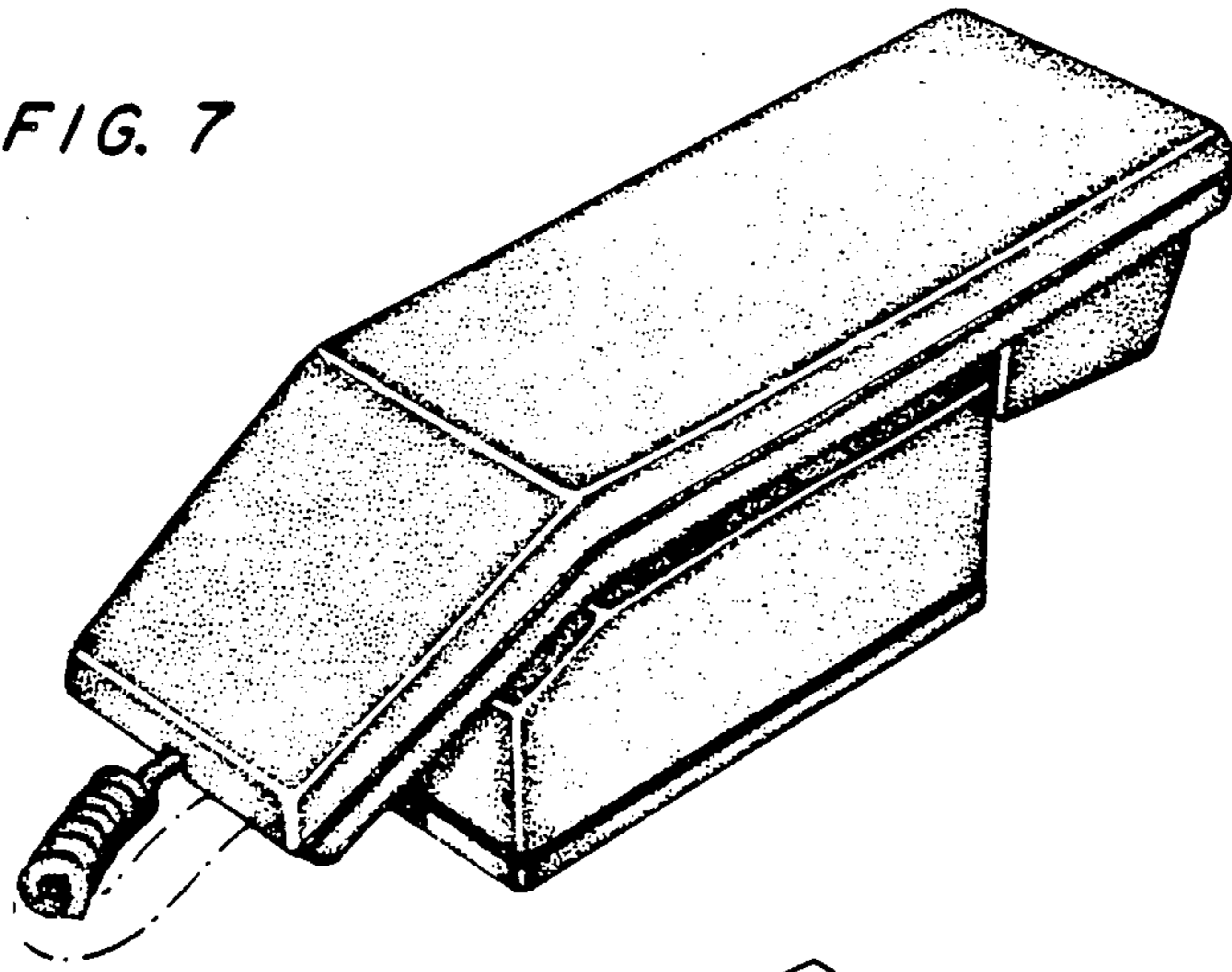


FIG. 8

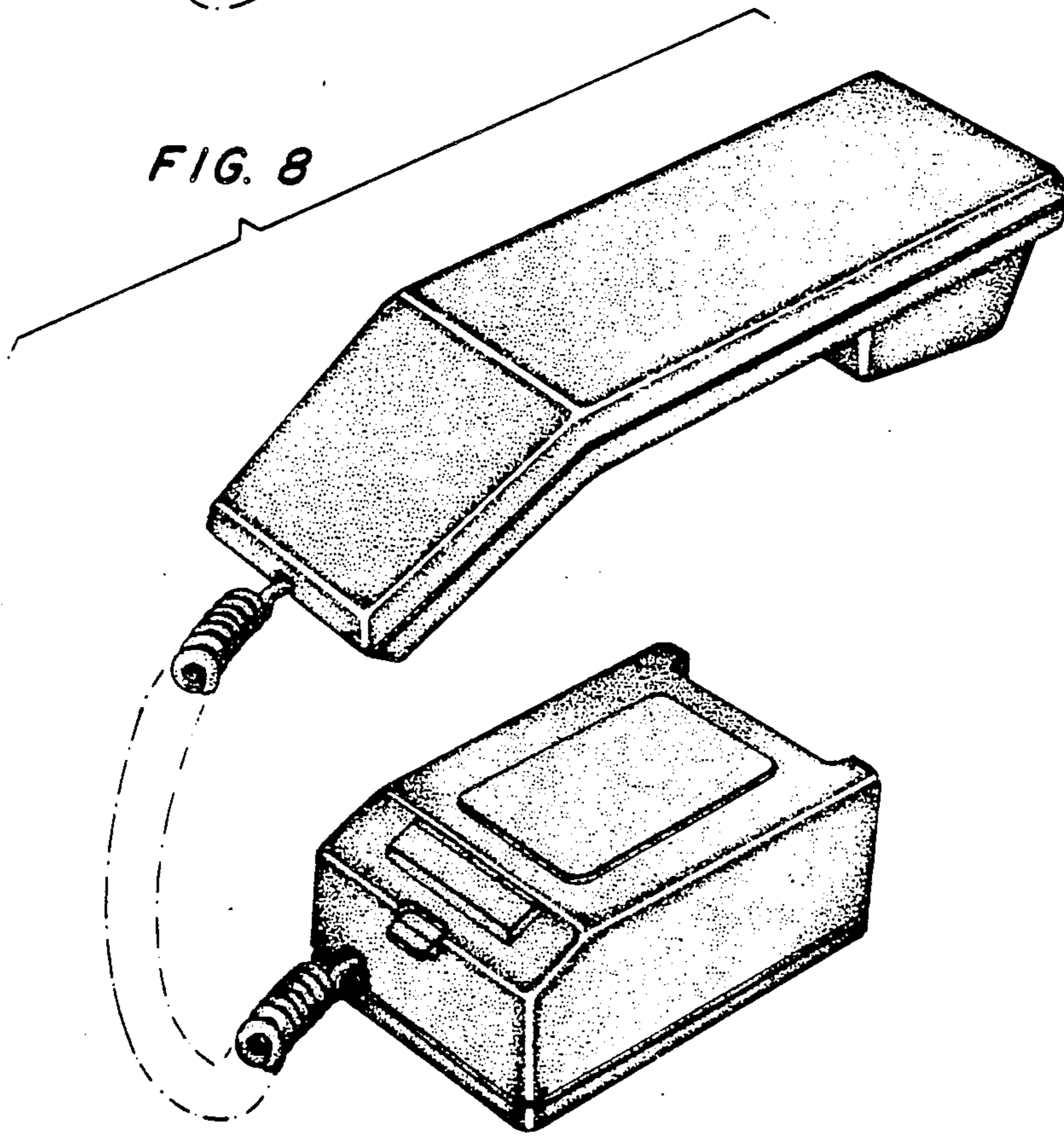


FIG. 9

