

United States Patent [19]

Takahashi et al.

[11] Patent Number: Des. 294,492

[45] Date of Patent: ** Mar. 1, 1988

[54] COMBINED VIDEO TAPE RECORDER AND CAMERA

[75] Inventors: Akira Takahashi, Sayama; Noboru Chiba; Katsuya Hamamoto, both of Tokorozawa, all of Japan

[73] Assignee: Hitachi, Ltd., Tokyo, Japan

[**] Term: 14 Years

[21] Appl. No.: 769,748

[22] Filed: Aug. 27, 1985

[30] Foreign Application Priority Data

Mar. 27, 1985 [JP] Japan 60-11920

[52] U.S. Cl. D14/5; D14/78; D16/4

[58] Field of Search D14/1, 2, 5, 6, 78, D14/99; D16/4; 352/72, 242; 358/229, 906

[56] References Cited

U.S. PATENT DOCUMENTS

D. 278,238 4/1985 Kurokawa et al. D14/78

D. 290,120 6/1987 Mohri D16/4 X

OTHER PUBLICATIONS

Popula Photography, 6/85, p. 68, Center-Olympus VX-402.

Primary Examiner—Bernard Ansher

Assistant Examiner—Theodore M. Shooman

Attorney, Agent, or Firm—Antonelli, Terry & Wands

[57] CLAIM

The ornamental design for a combined video tape recorder and camera, as shown.

DESCRIPTION

FIG. 1 is a front, top and left side perspective view of a combined video tape recorder and camera showing our new design;

FIG. 2 is a front elevational view thereof;

FIG. 3 is a rear elevational view thereof;

FIG. 4 is a right side elevational view thereof;

FIG. 5 is a left side elevational view thereof;

FIG. 6 is a top plan view thereof; and

FIG. 7 is a bottom plan view thereof;

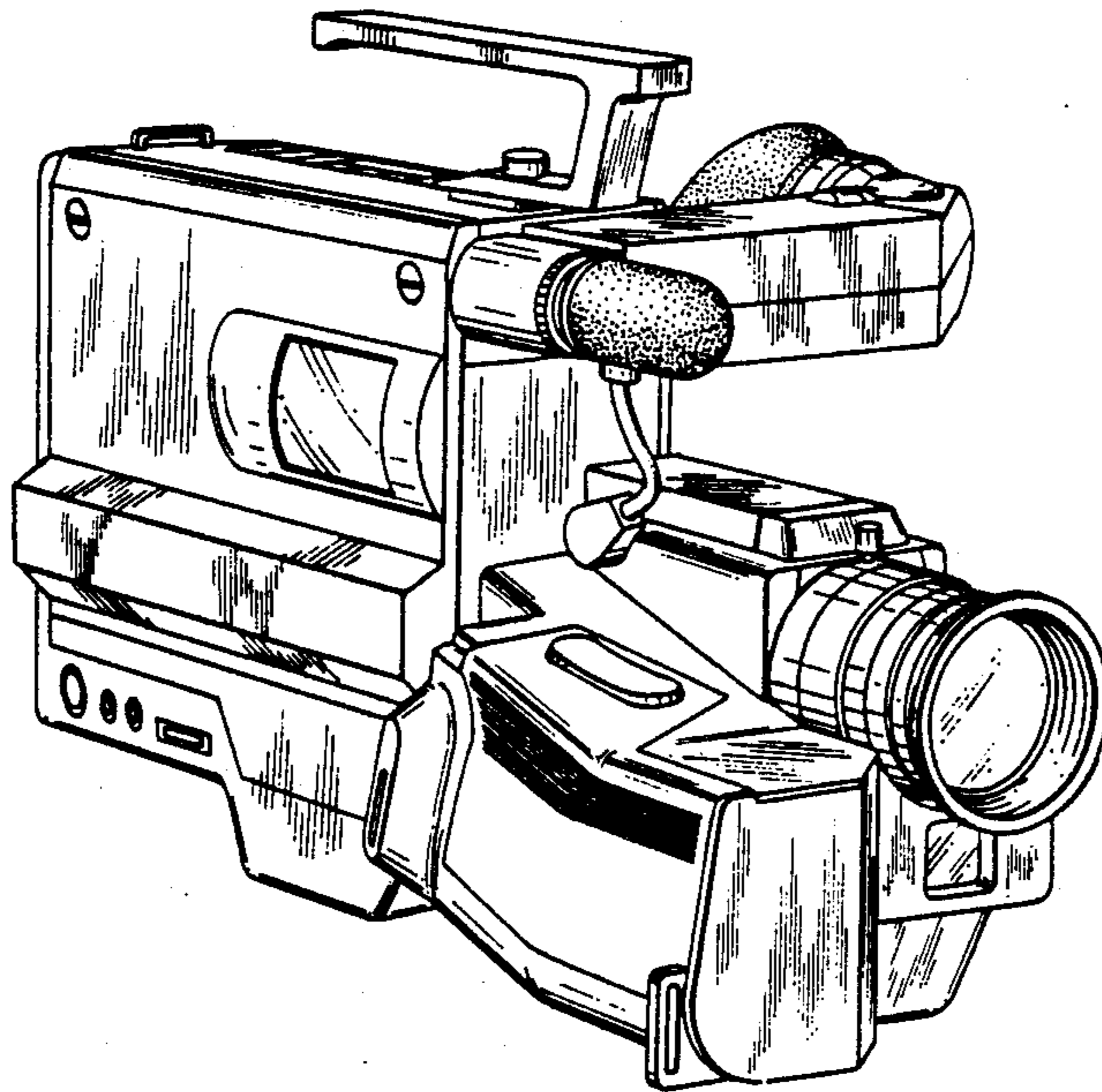


FIG. 1

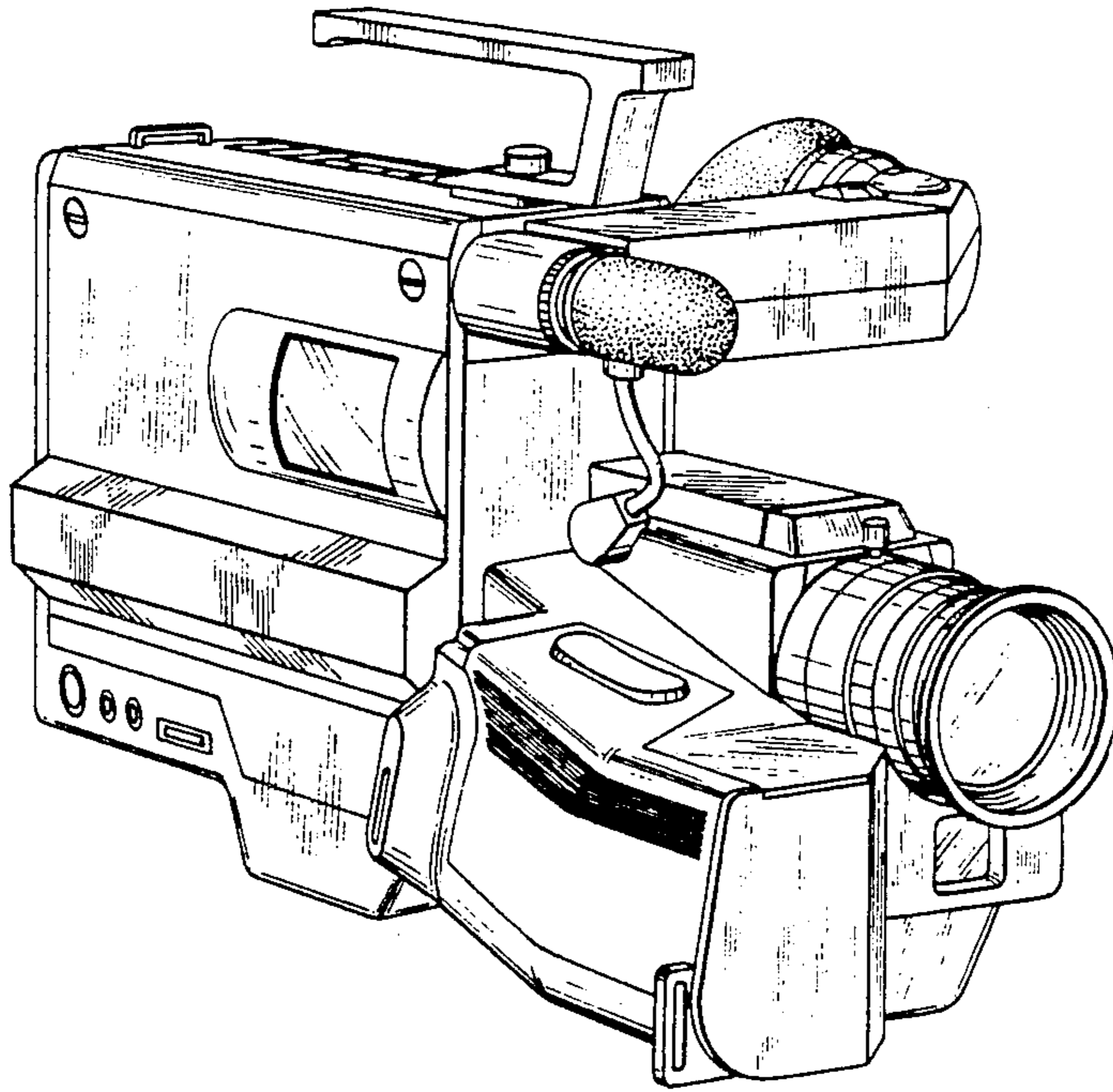


FIG. 2

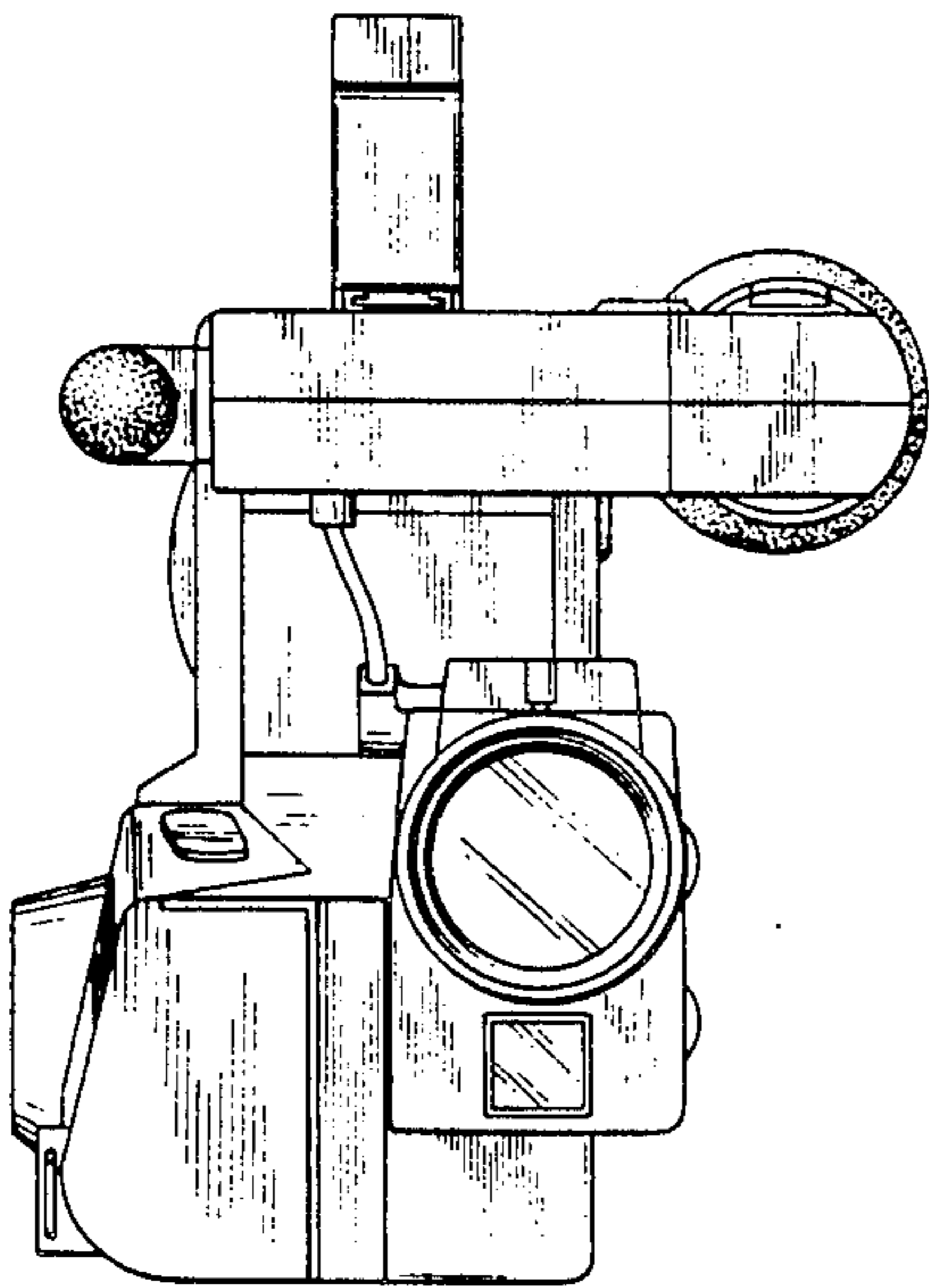


FIG. 3

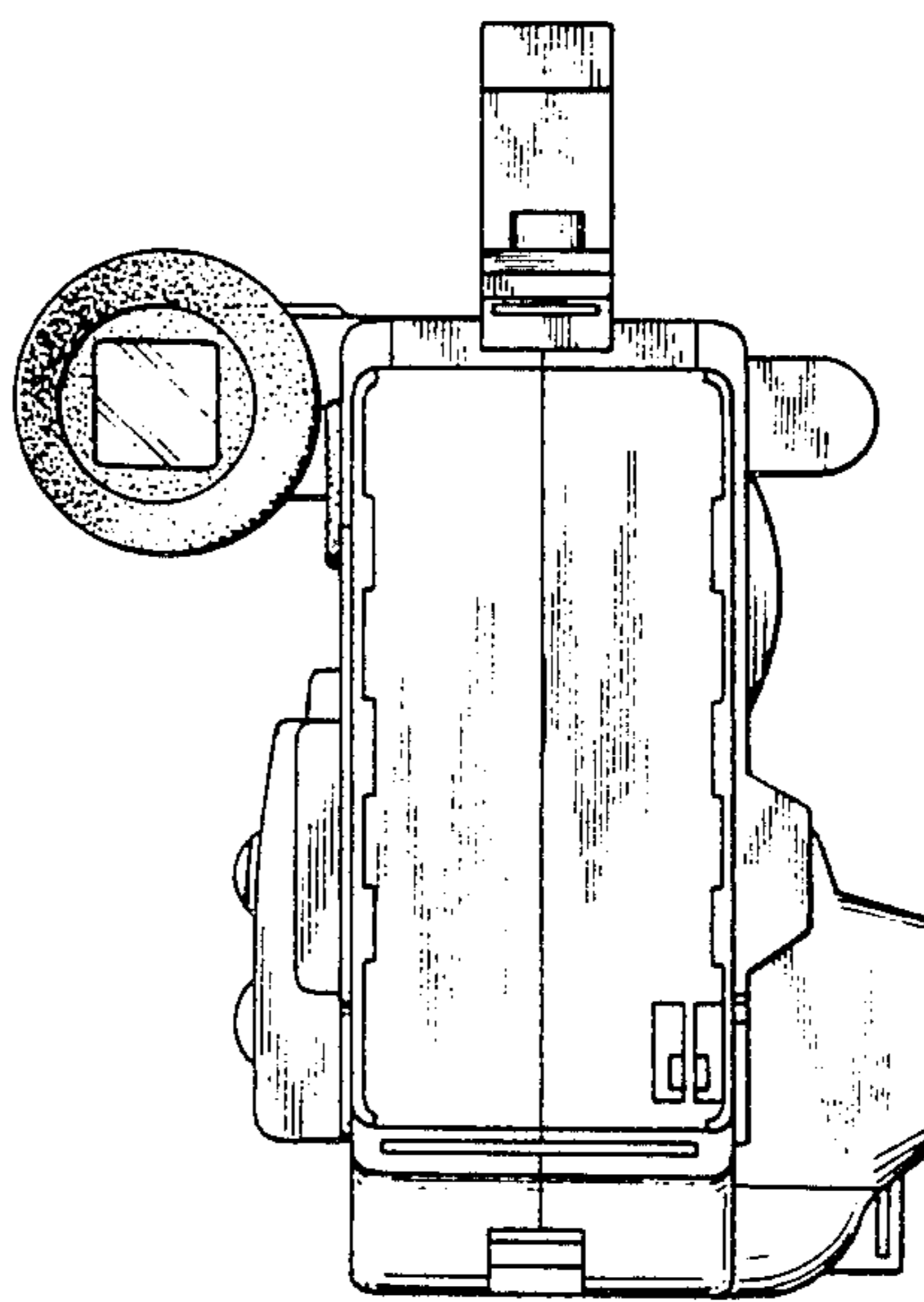


FIG. 4

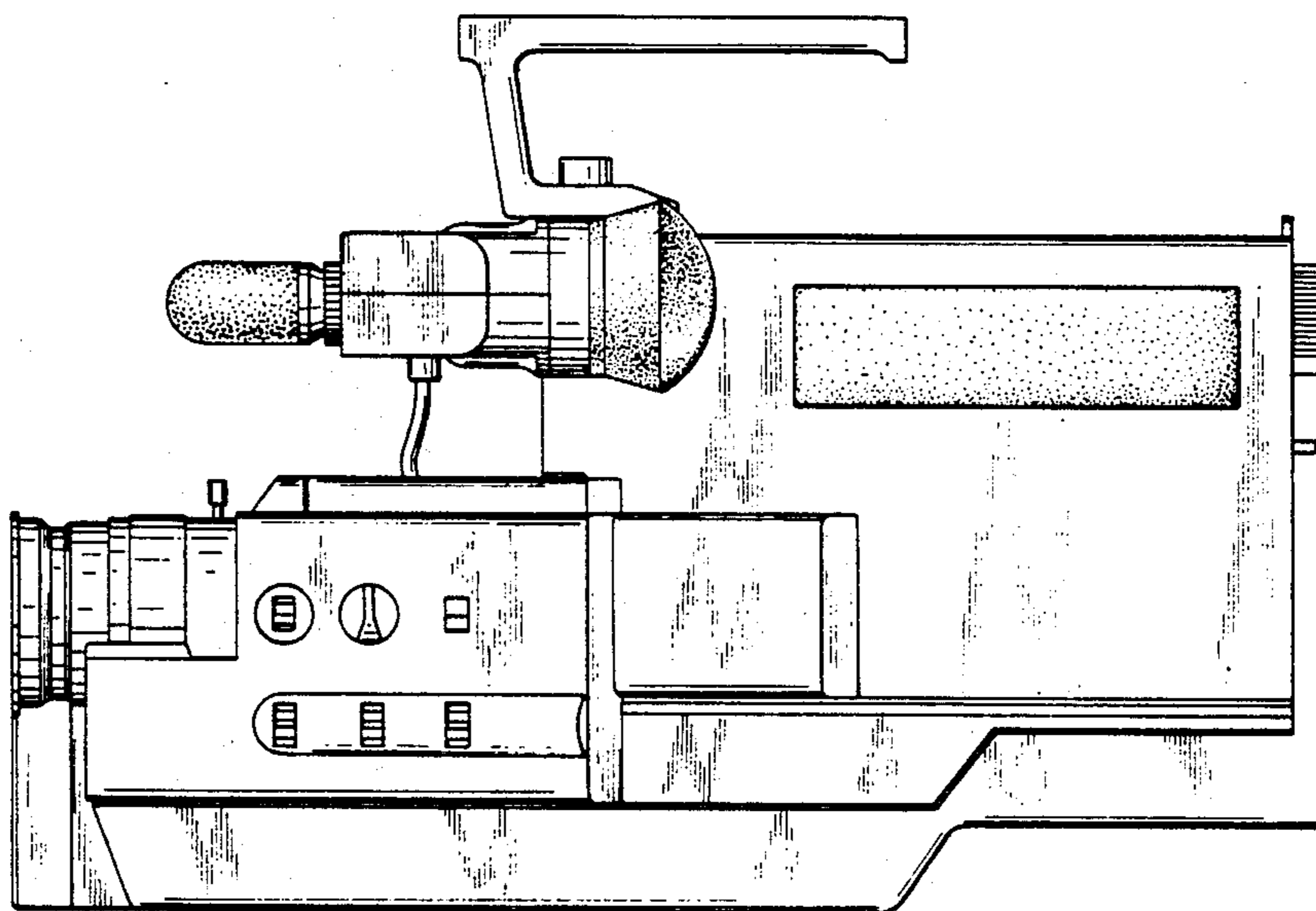


FIG. 5

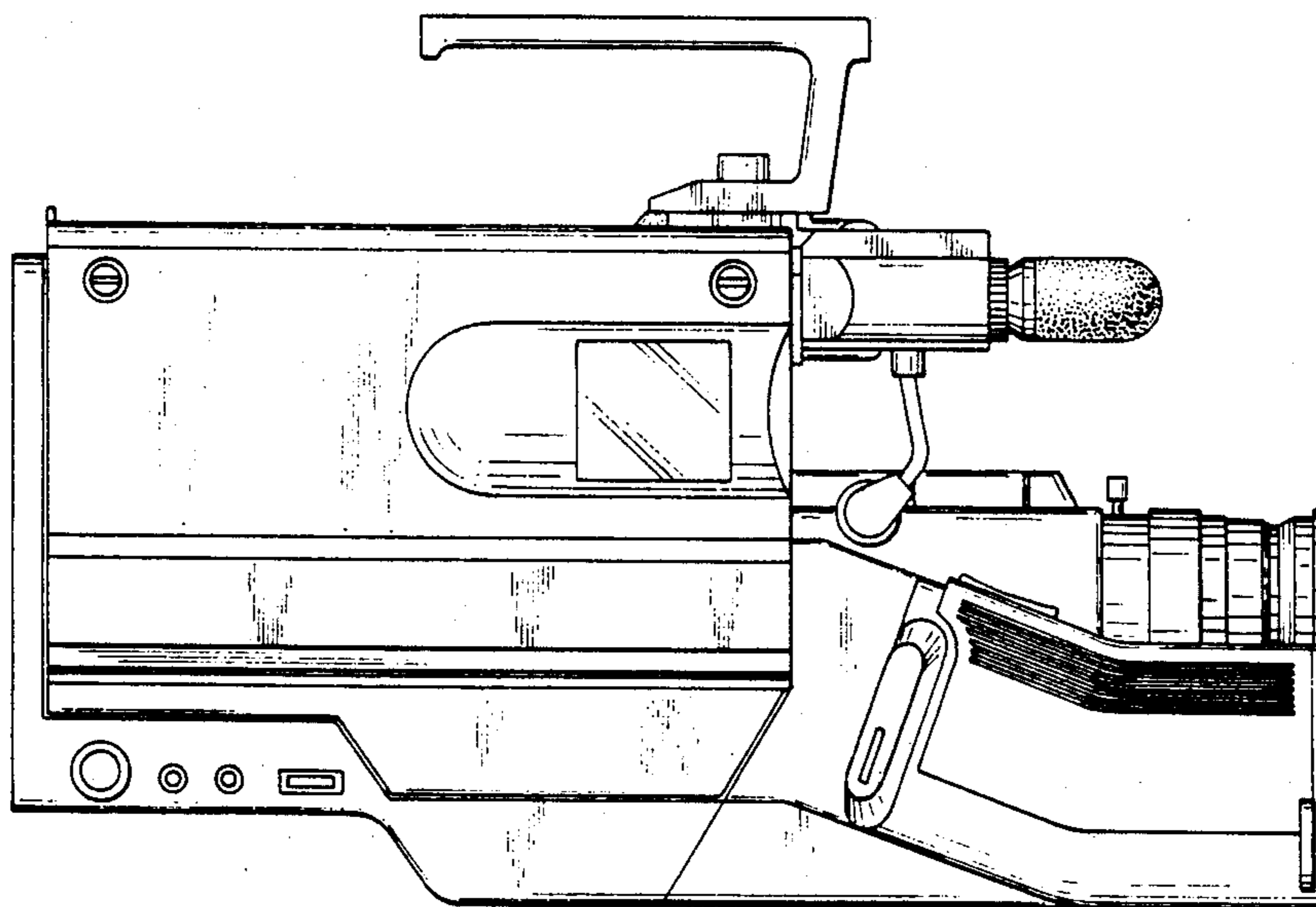


FIG. 6

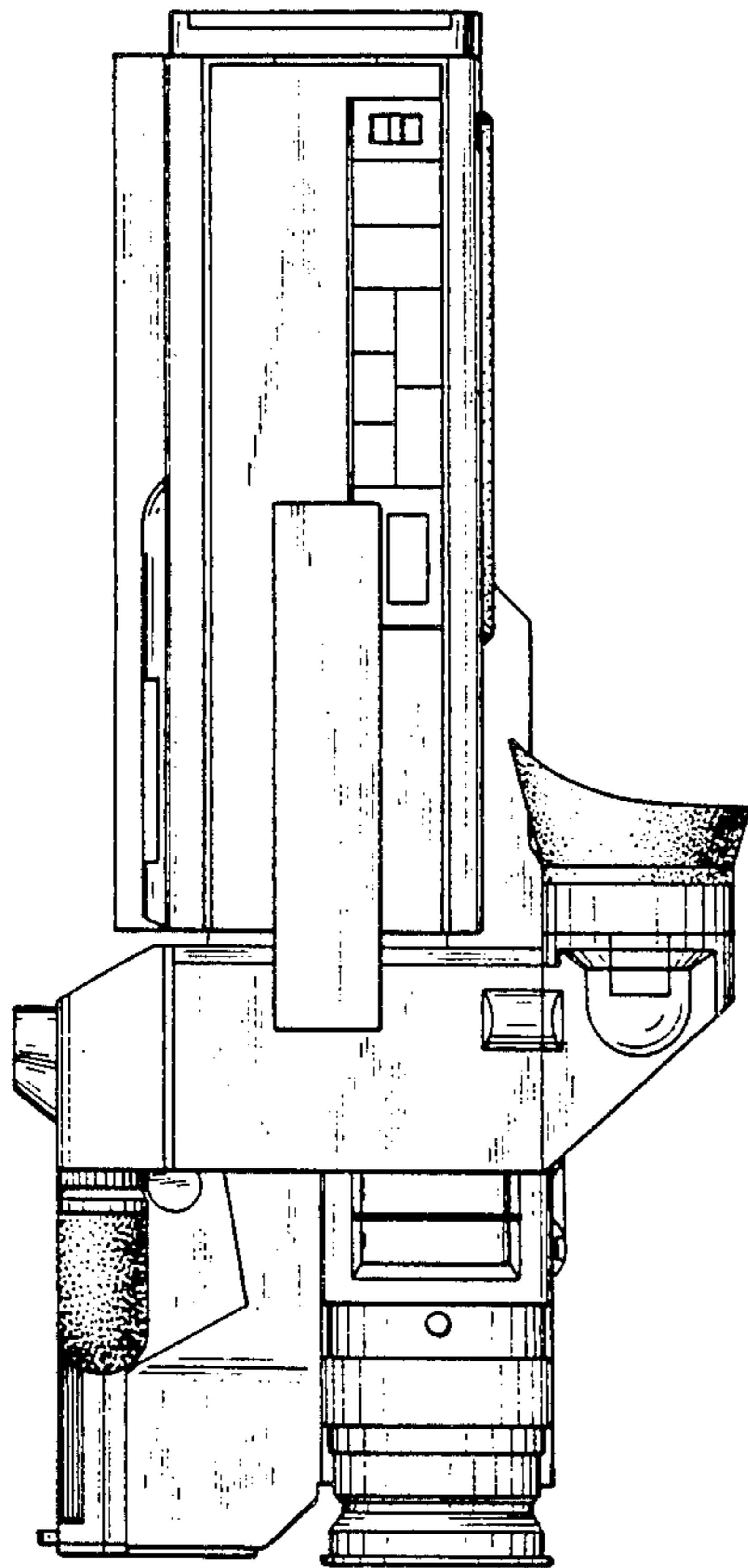


FIG. 7

