

[54] **COMBINED POWERBOARD AND REEL**

[76] **Inventor: Francis R. Bannigan, 64 Duerdin Street, North Clayton, 3168, Victoria, Australia**

[**] **Term: 14 Years**

[21] **Appl. No.: 687,544**

[22] **Filed: Dec. 28, 1984**

[52] **U.S. Cl. D13/30; D8/359**

[58] **Field of Search D13/13-31; D8/358, 359; 339/119 C, 147 C, 157 C; 242/85.1, 86; 337/188, 189, 197, 198**

[56] **References Cited**

U.S. PATENT DOCUMENTS

D. 182,753	5/1958	Allen	D8/359
D. 200,791	4/1965	Smith	D13/30
469,687	3/1892	Felix	242/85.1
1,454,050	5/1923	Gruenhagen	242/85.1
3,290,453	12/1966	Jensen	242/85.1
4,083,621	4/1978	Davidson et al.	339/119 C

FOREIGN PATENT DOCUMENTS

0147995 12/1978 Japan 339/119 C

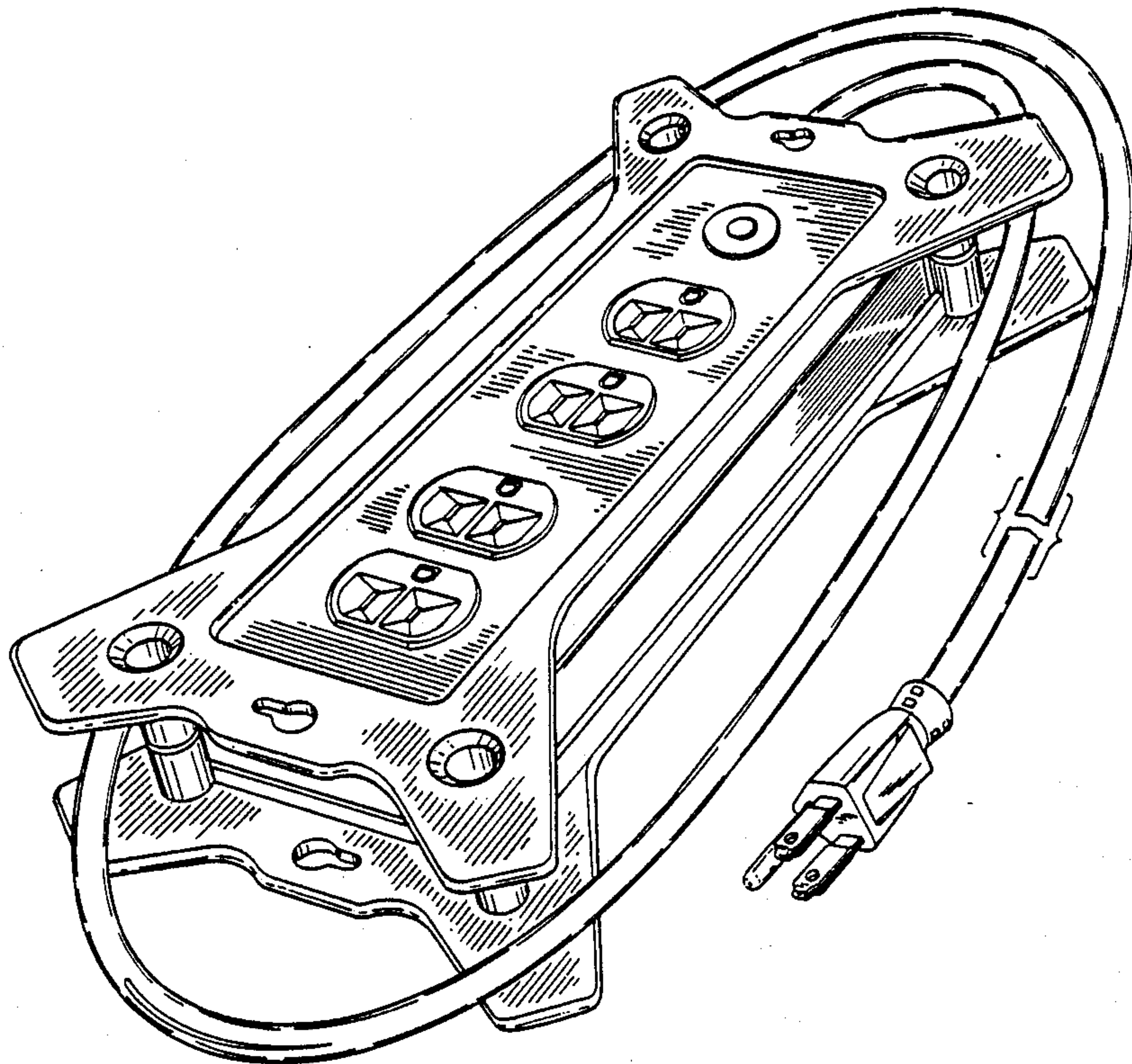
Primary Examiner—Susan J. Lucas
Assistant Examiner—Claire E. Heflin
Attorney, Agent, or Firm—Scully, Scott, Murphy & Presser

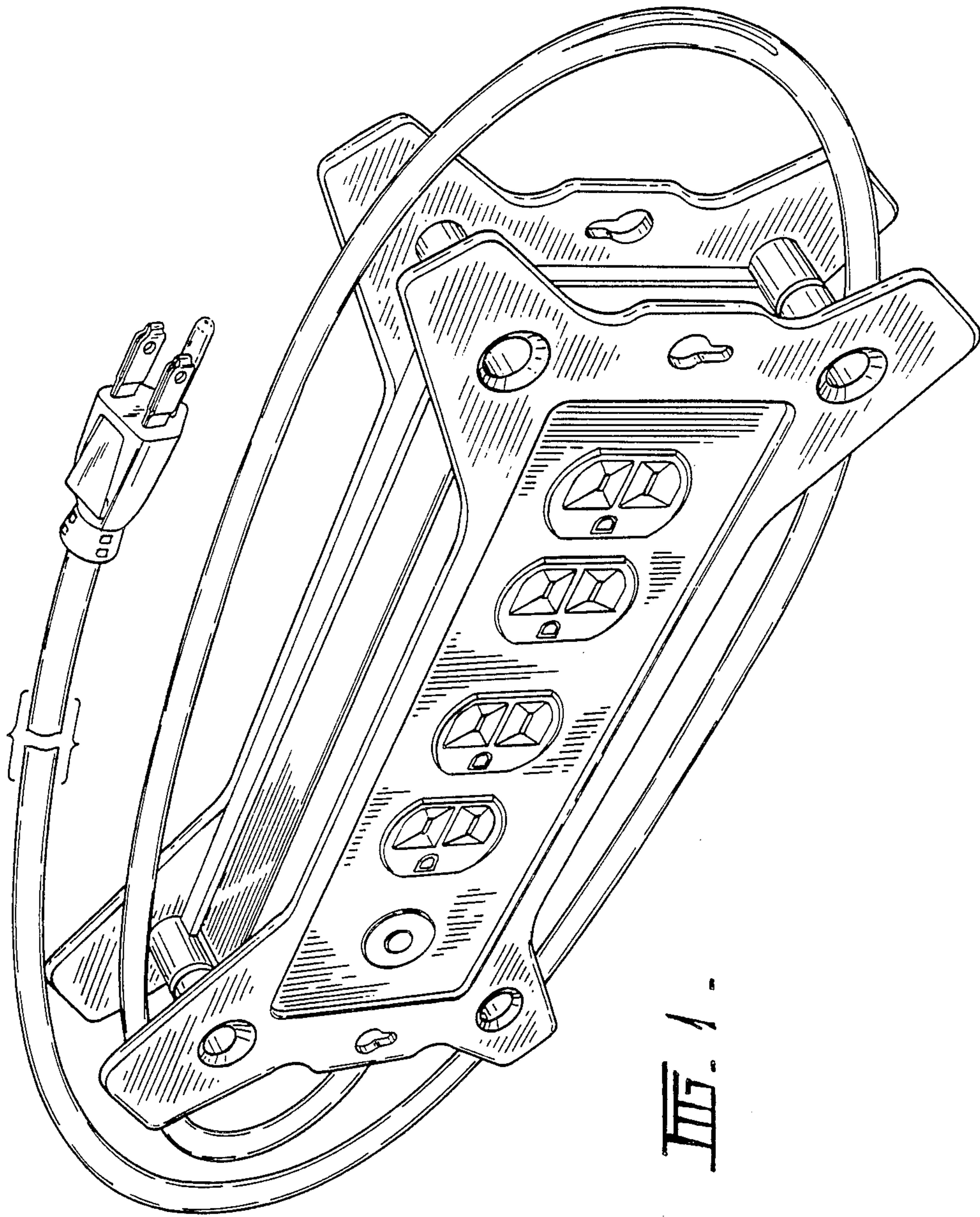
[57] **CLAIM**

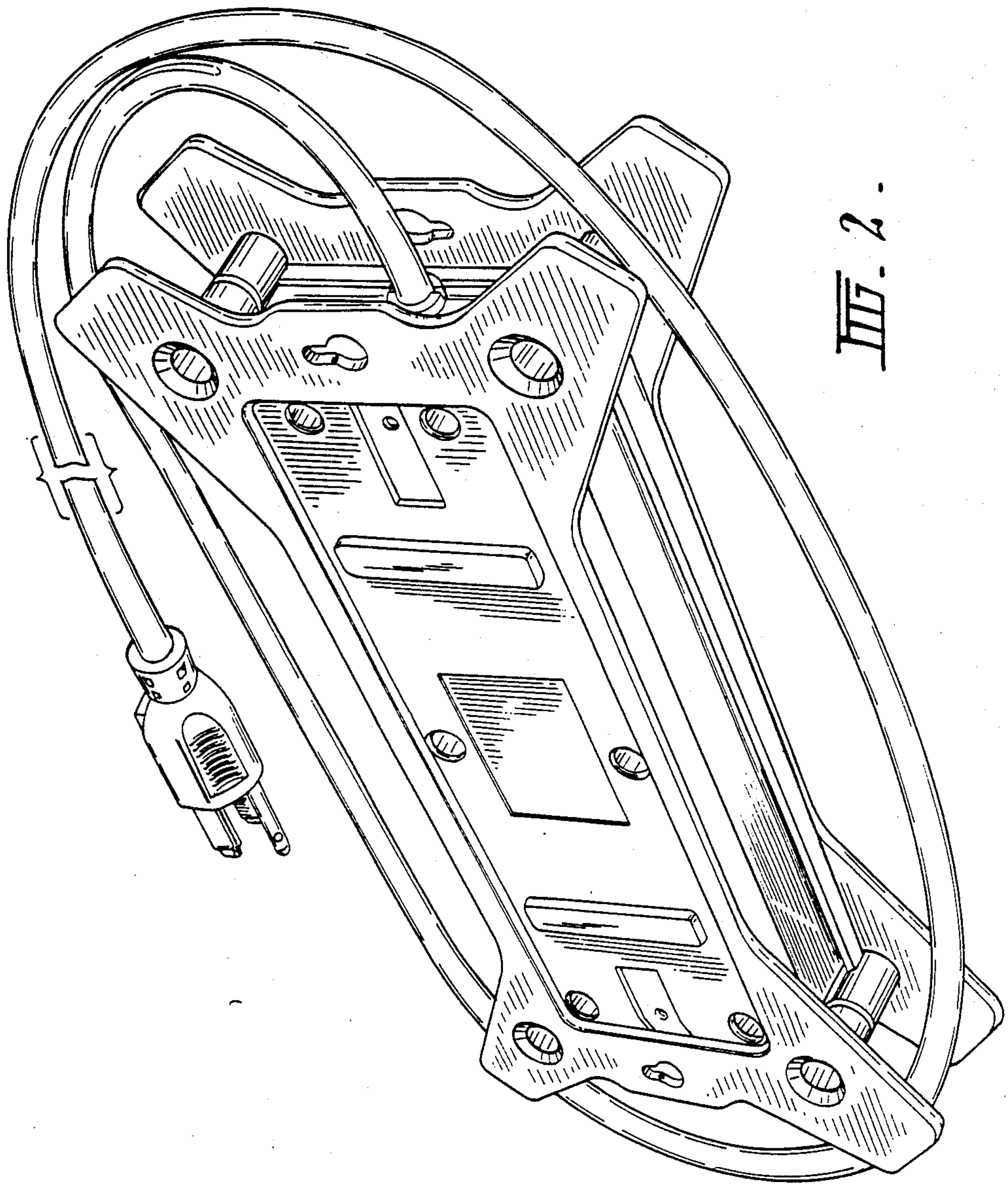
The ornamental design for a combined powerboard and reel, as shown and described.

DESCRIPTION

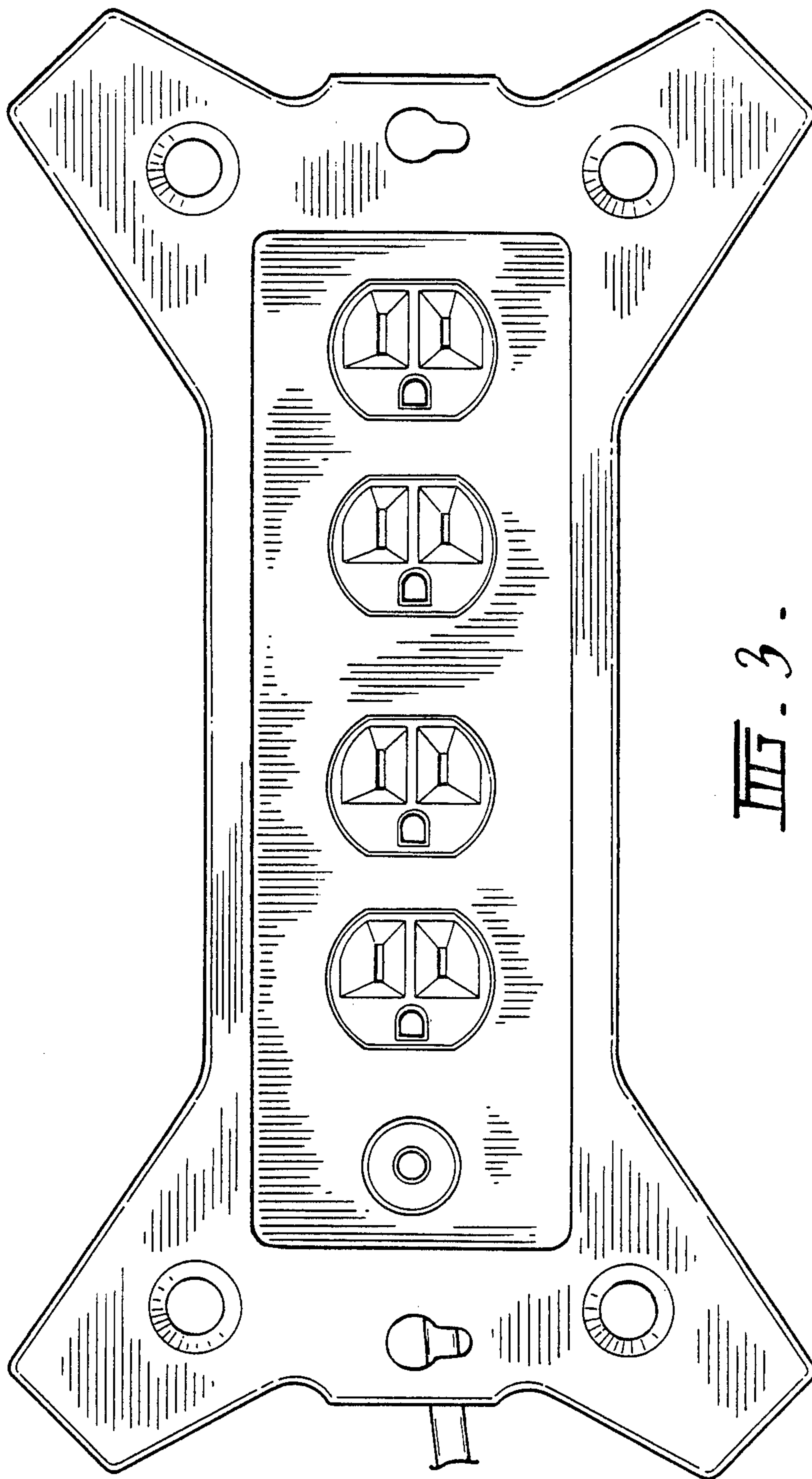
FIG. 1 is a top, front perspective view of the combined powerboard and reel showing my new design; FIG. 2 is a bottom rear perspective view thereof; FIG. 3 is a front elevational view thereof; FIG. 4 is a rear elevational view thereof; FIG. 5 is a left side elevational view thereof; FIG. 6 is a right side elevational view thereof; FIG. 7 is a top plan view thereof; and FIG. 8 is a bottom plan view thereof. The electric cord is shown broken away in FIGS. 1 and 2 to depict indeterminate length and shown in fragment in FIGS. 3-8 for ease of illustration only.



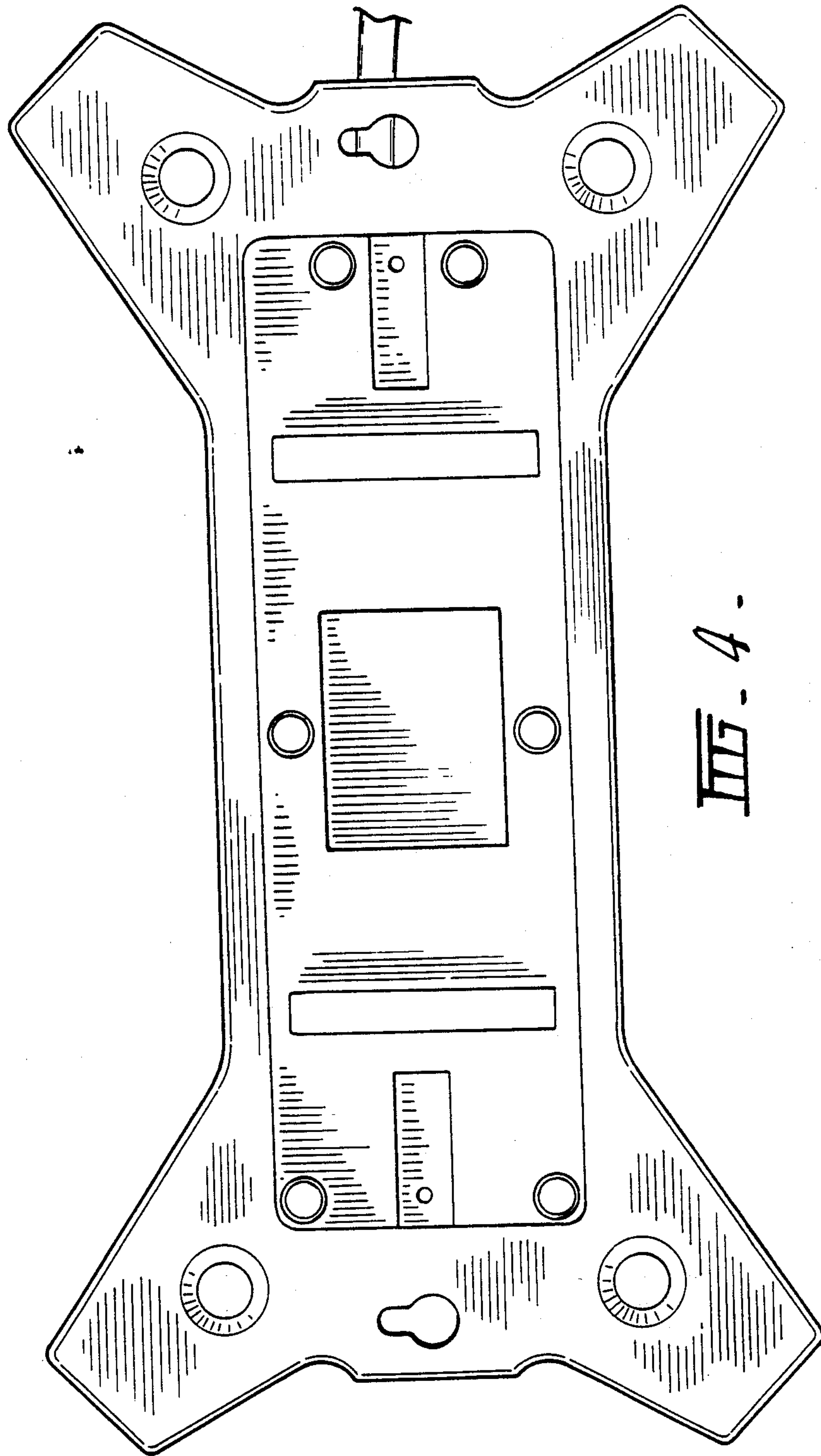




III-2-



III. 3.



III-4.

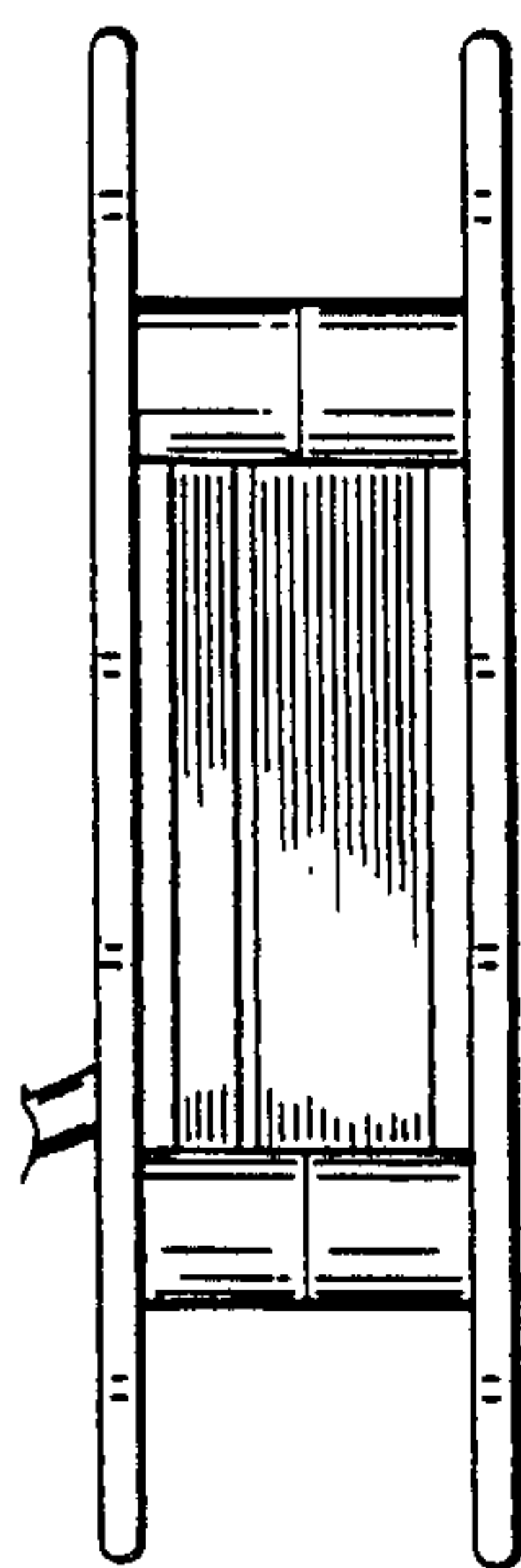


FIG. 5.

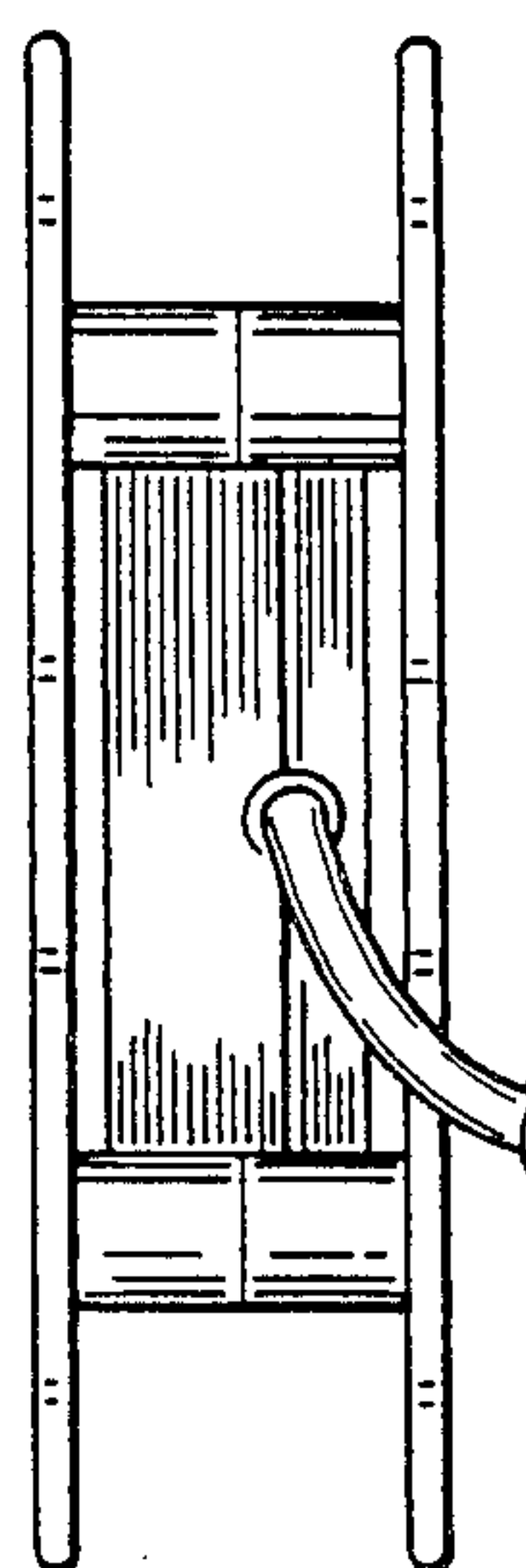


FIG. 6.

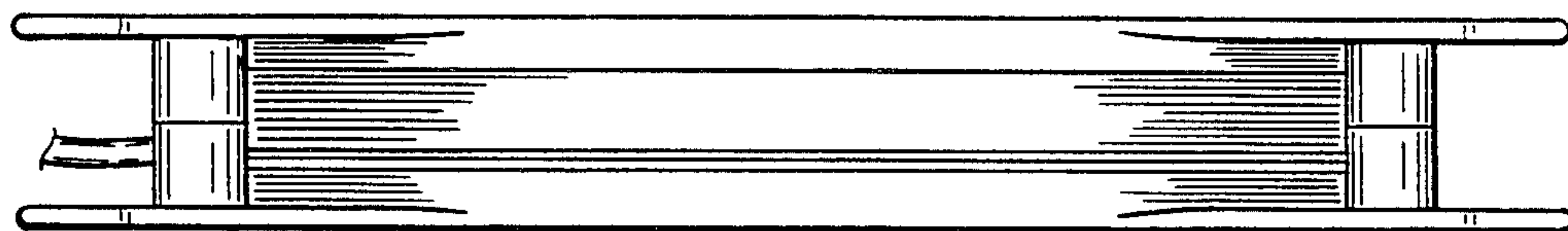


FIG. 7.

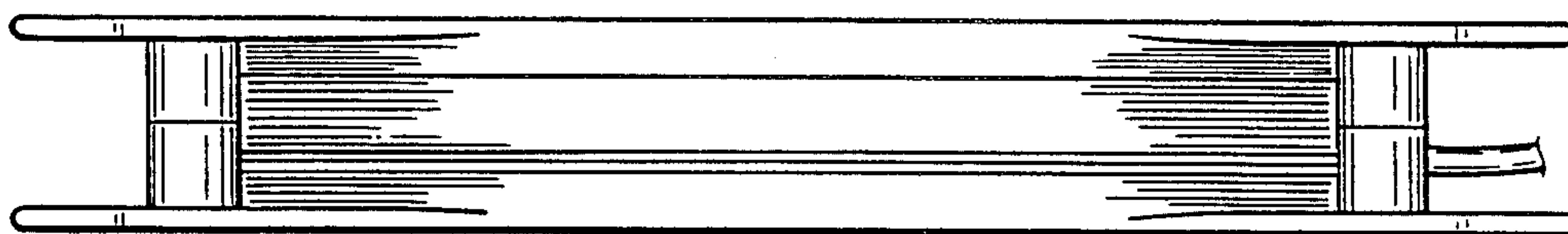


FIG. 8.