

[54] BATTERY HOUSING

3,684,582 8/1972 Roberts 429/187
4,634,642 1/1987 Lopez-Doriga
Lopez-Doriga 429/175

[75] Inventors: James H. Kellett; Raymond W. Gaddis, both of Winston-Salem; Robert W. Fritts, Thomasville, all of N.C.; David L. Schoenecker, Anaheim, Calif.

FOREIGN PATENT DOCUMENTS

0189453 11/1982 Japan 429/187

[73] Assignee: Douglas Battery Manufacturing, Winston-Salem, N.C.

Primary Examiner—Susan J. Lucas
Assistant Examiner—Clare E. Heflin
Attorney, Agent, or Firm—Charles R. Rhodes; Judith E. Garmon

[**] Term: 14 Years

[57] CLAIM

[21] Appl. No.: 764,386

The ornamental design for a battery housing, as shown and described.

[22] Filed: Aug. 12, 1985

[52] U.S. Cl. D13/8

[58] Field of Search D13/8-11;
429/48, 96, 100, 163-165, 175, 176, 187, 159;
307/150; 320/2-5

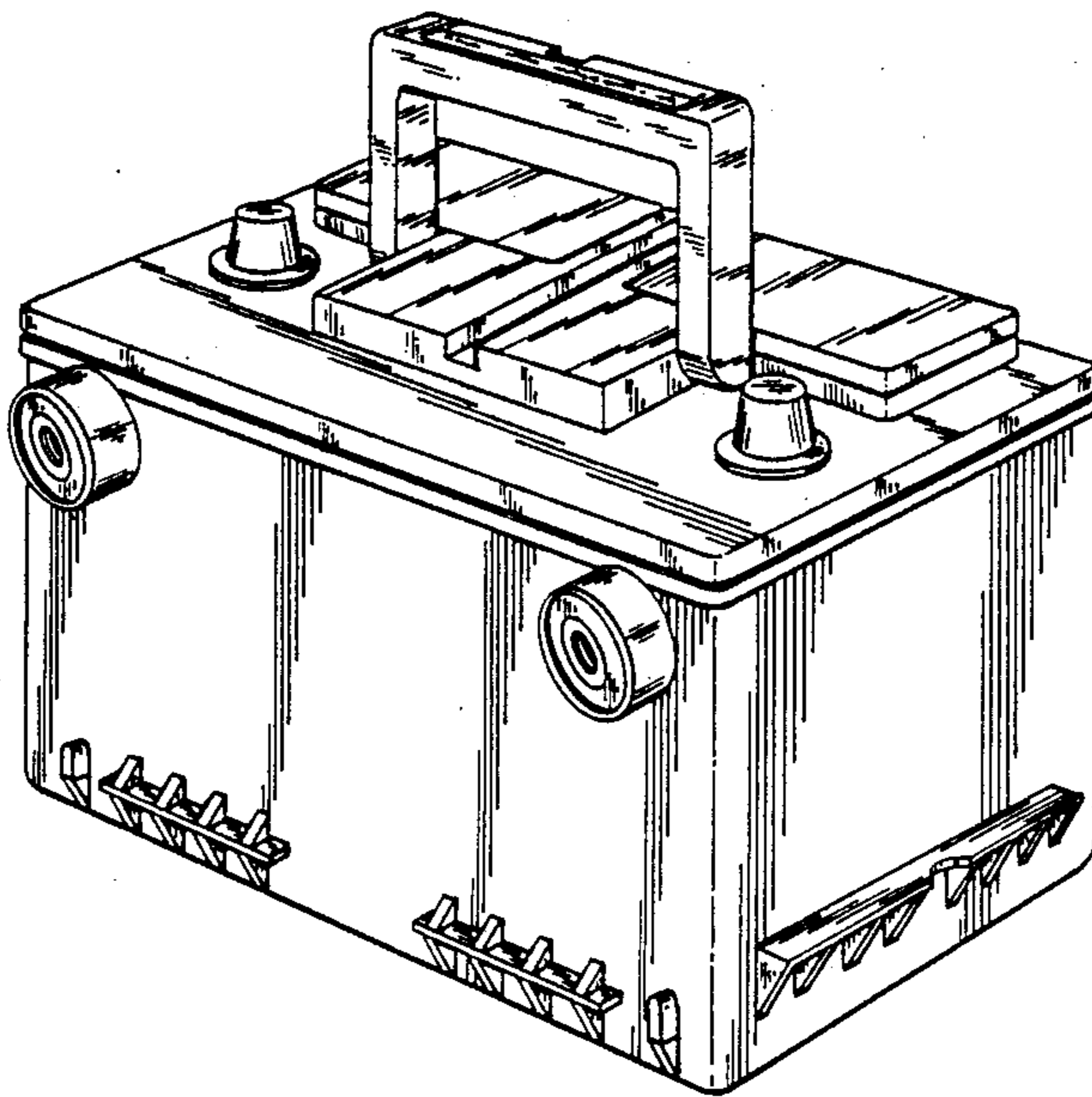
DESCRIPTION

[56] References Cited

U.S. PATENT DOCUMENTS

915,328 3/1909 Bentley 429/176

FIG. 1 is a top, front and one side perspective view of the battery housing showing my new design;
FIG. 2 is a top, rear and opposite side perspective view thereof with the handle shown in the closed position;
FIG. 3 is a bottom, rear and side perspective view thereof.
FIG. 4 is a top plan view thereof.



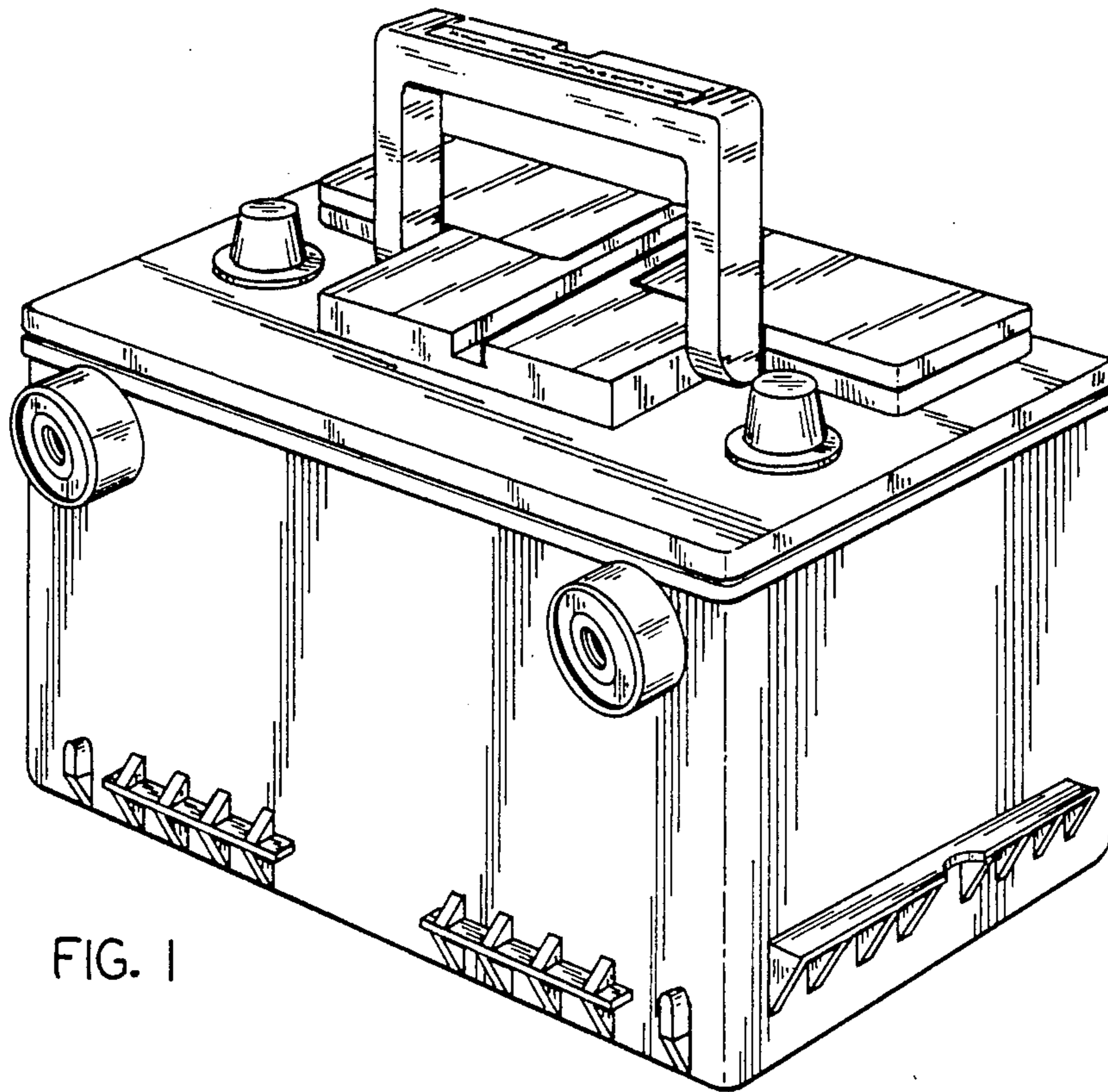


FIG. 1

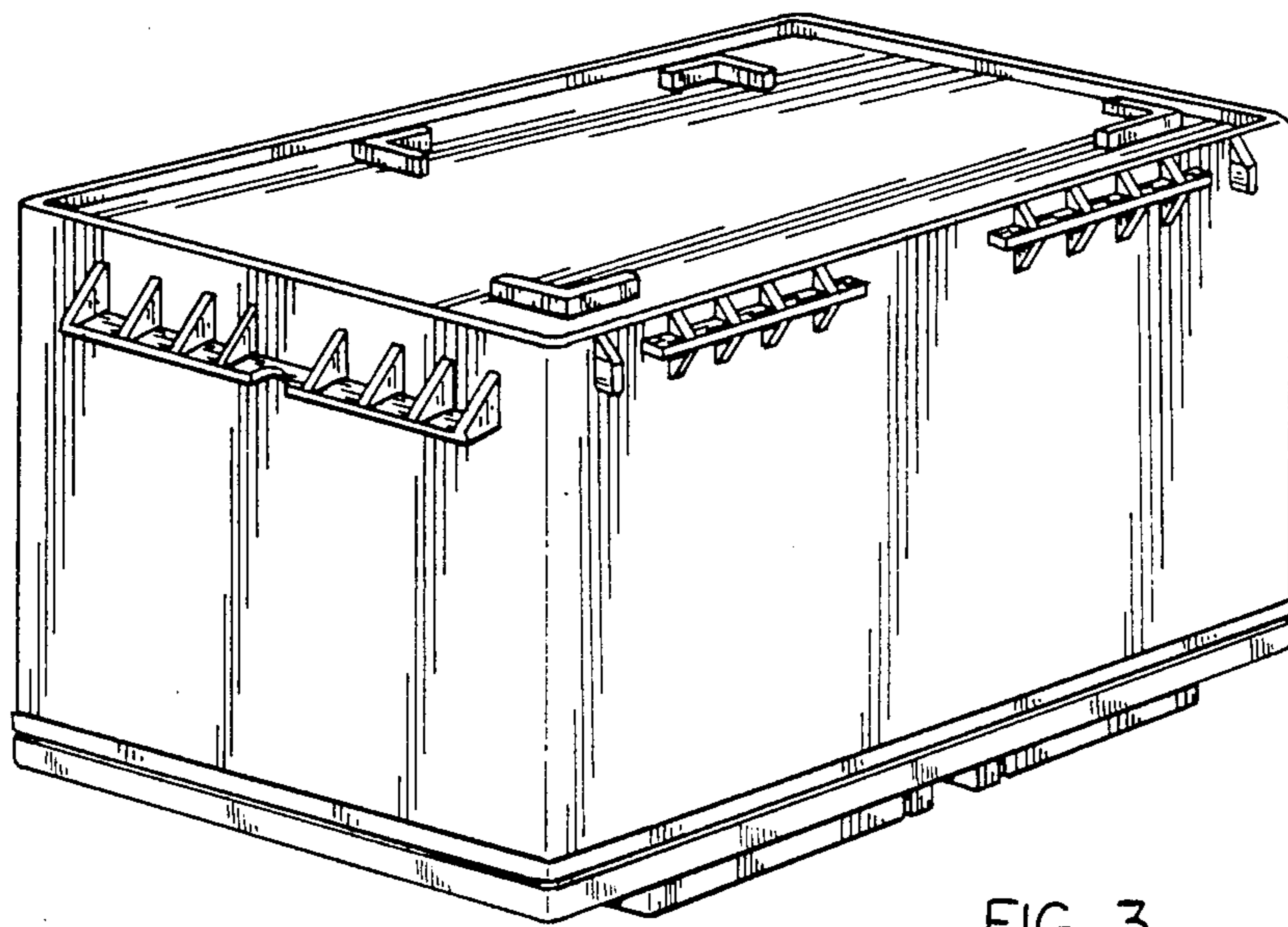
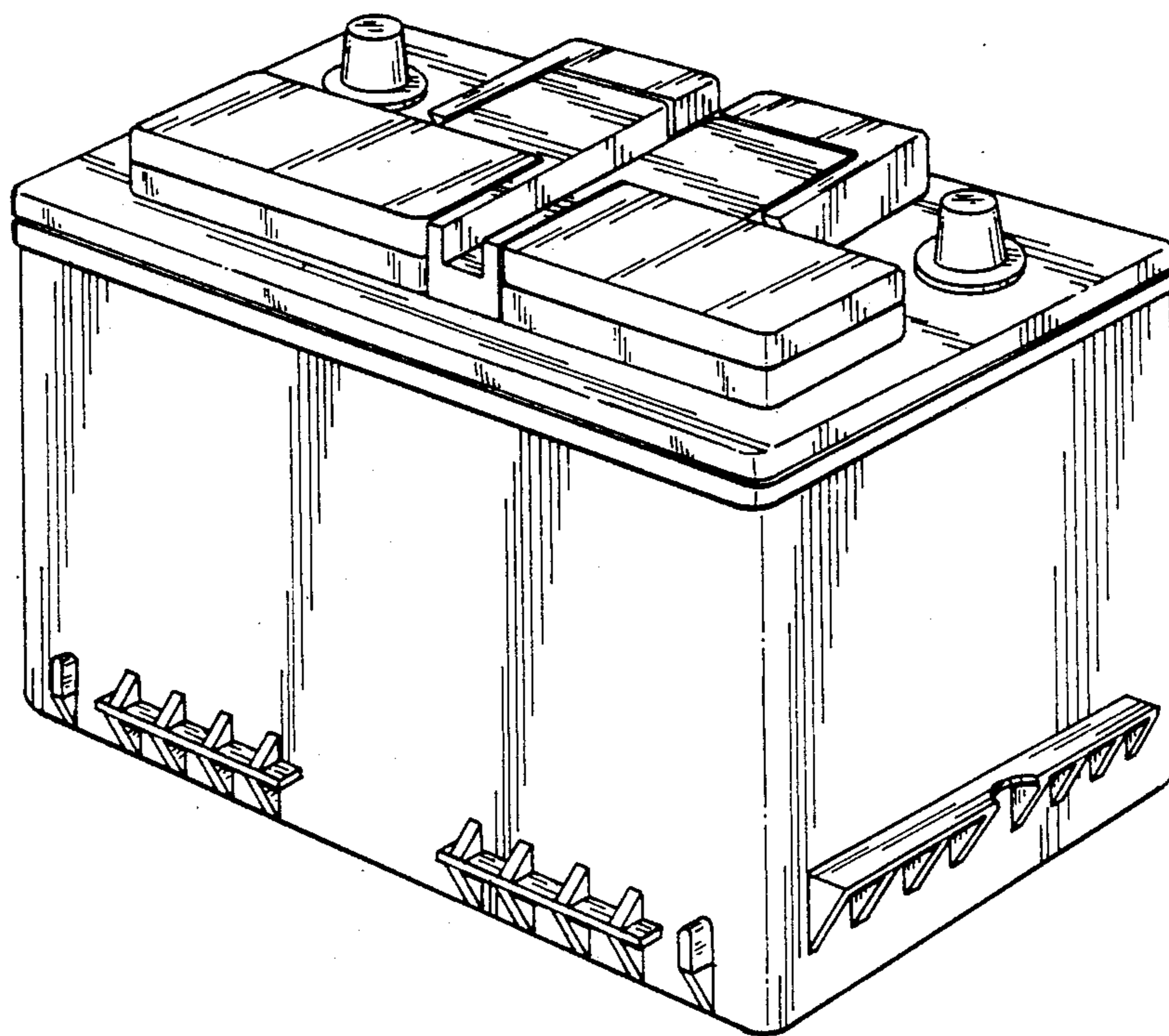


FIG. 3

FIG. 2



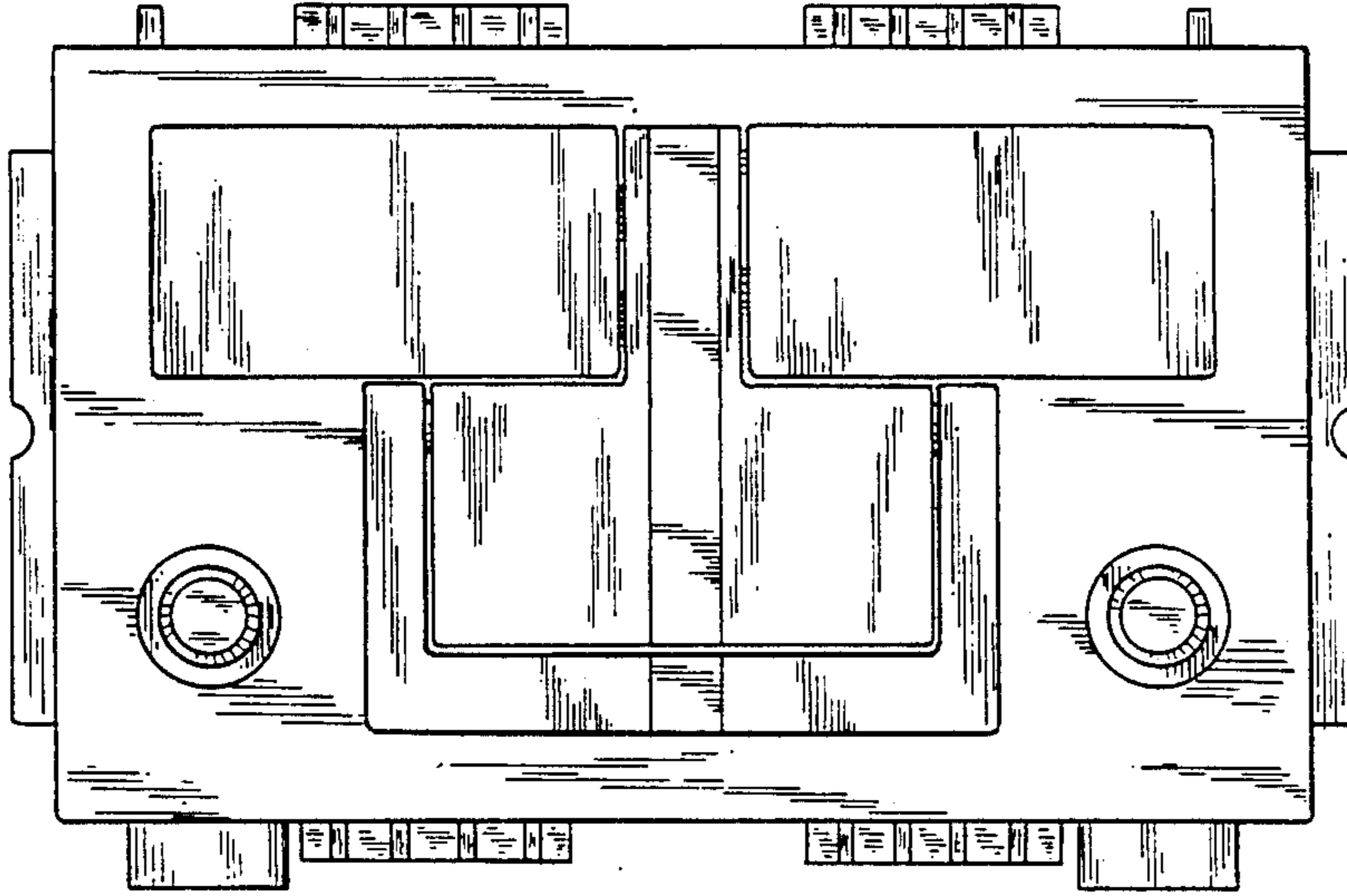


FIG. 4