

- [54] DYNAMOELECTRIC MACHINE
- [75] Inventor: Charles C. Keane, Weymouth, Mass.
- [73] Assignee: General Electric Company, Fort Wayne, Ind.
- [\*\*] Term: 14 Years
- [21] Appl. No.: 774,574
- [22] Filed: Sep. 10, 1985
- [52] U.S. Cl. .... D13/3
- [58] Field of Search ..... D13/1-3;  
310/10, 40 R, 42, 64-66, 85, 88, 89, 90, 91

- [56] **References Cited**
- U.S. PATENT DOCUMENTS**
- D. 186,594 11/1959 Forsty ..... D13/3
- D. 190,584 1/1961 Hallenbeck et al. .... D26/5
- D. 191,982 12/1961 Eisenhart ..... D13/1
- D. 287,715 1/1987 Pittman, III et al. .... D13/1

**OTHER PUBLICATIONS**

Electrical Consultant, vol. 63, Jan.-Feb. 1983, p. 54,  
Rotary UPS.

Electrical Consultant, vol. 63, Jan.-Feb. 1981, p. 43,  
Generator-bottom right.  
GEA-10347-A (10/80) General Electric brochure entitled  
"Get Your Motor's Worth with General Electric  
Performance Designed Large AC Motors".  
GEA-8684 (3/74) General Electric brochure entitled  
"Discover Hidden Values in Custom 8000 ® Induction  
and Synchronous Motors 250 HP and Larger".

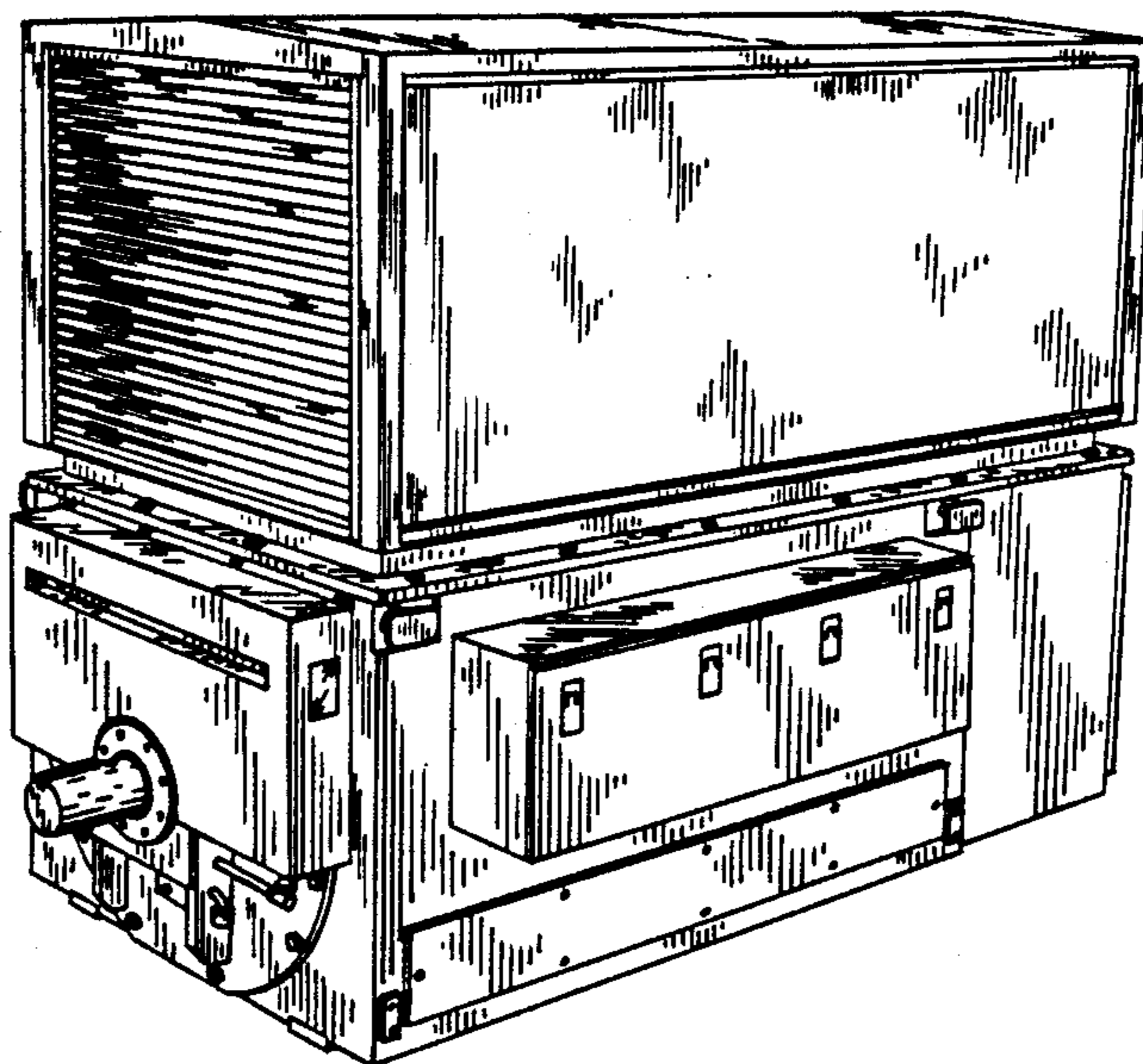
*Primary Examiner*—Wallace R. Burke  
*Assistant Examiner*—Ruth Takemoto  
*Attorney, Agent, or Firm*—John M. Stoudt

[57] **CLAIM**

The ornamental design for a dynamoelectric machine,  
as shown and described.

**DESCRIPTION**

FIG. 1 is a perspective view of a dynamoelectric machine, showing my new design;  
FIG. 2 is a front elevational view thereof;  
FIG. 3 is a rear elevational view thereof;  
FIG. 4 is a top plan view thereof;  
FIG. 5 is a left end elevational view thereof;  
FIG. 6 is a right end elevational view thereof; and,  
FIG. 7 is a bottom plan view thereof.



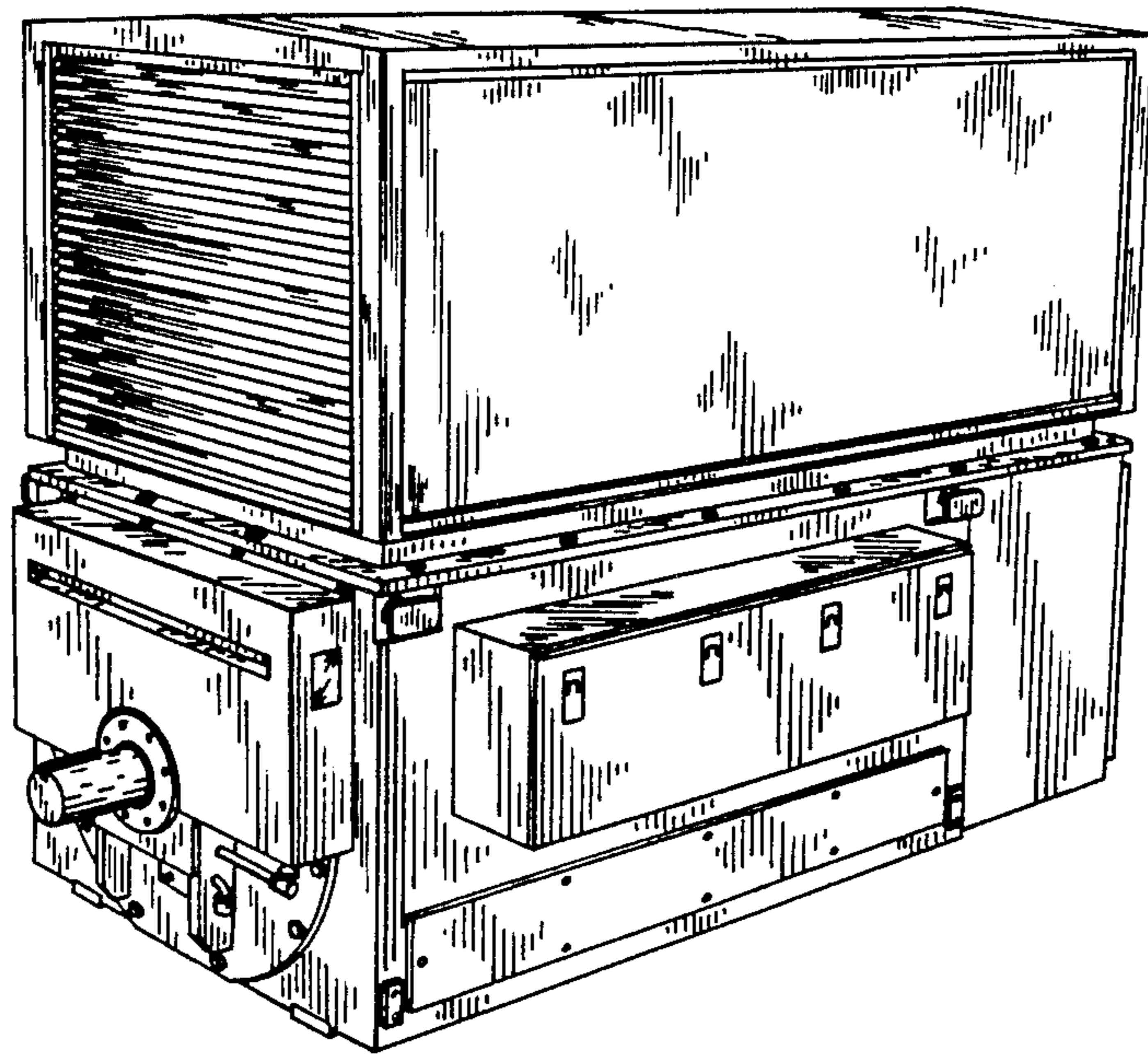


FIG. 1

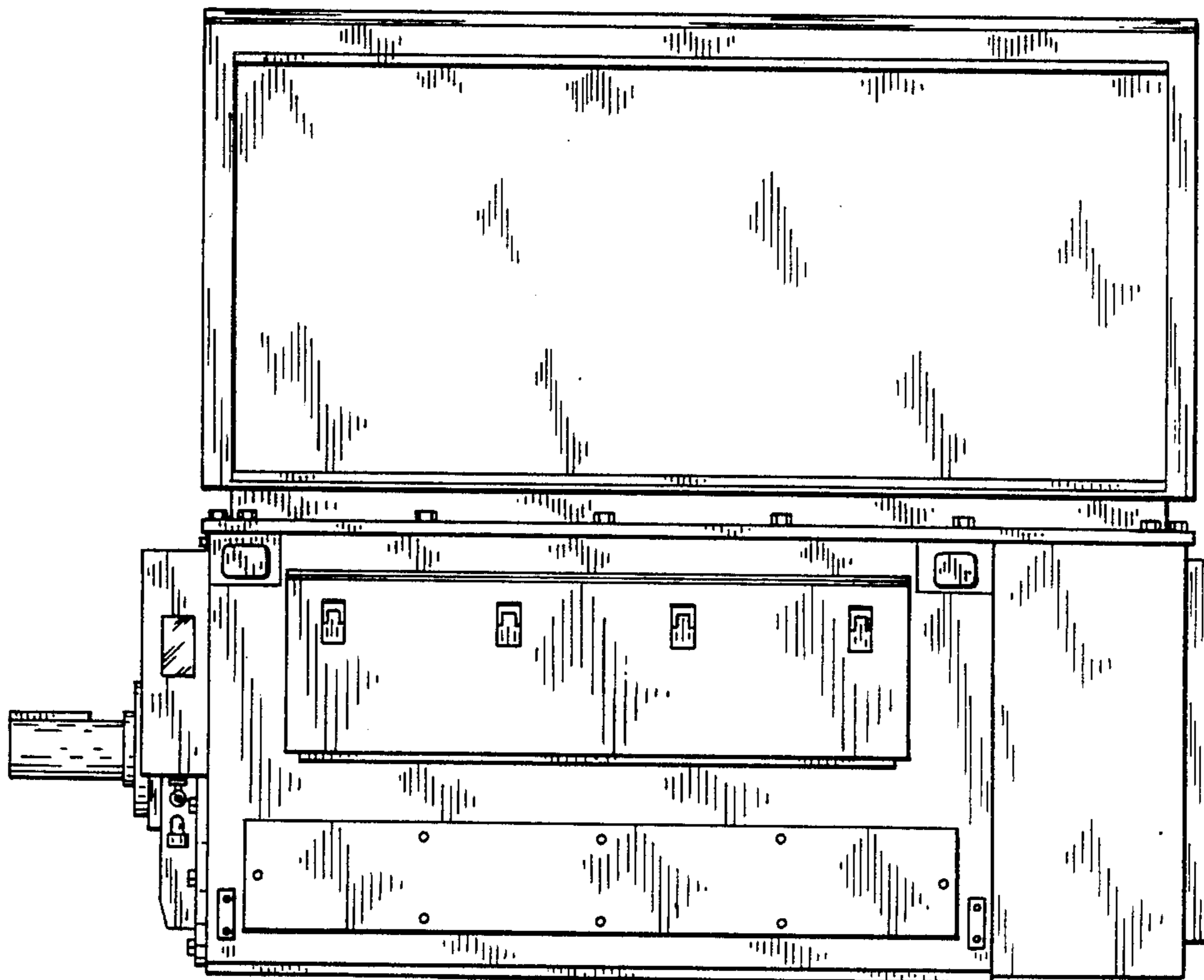


FIG. 2

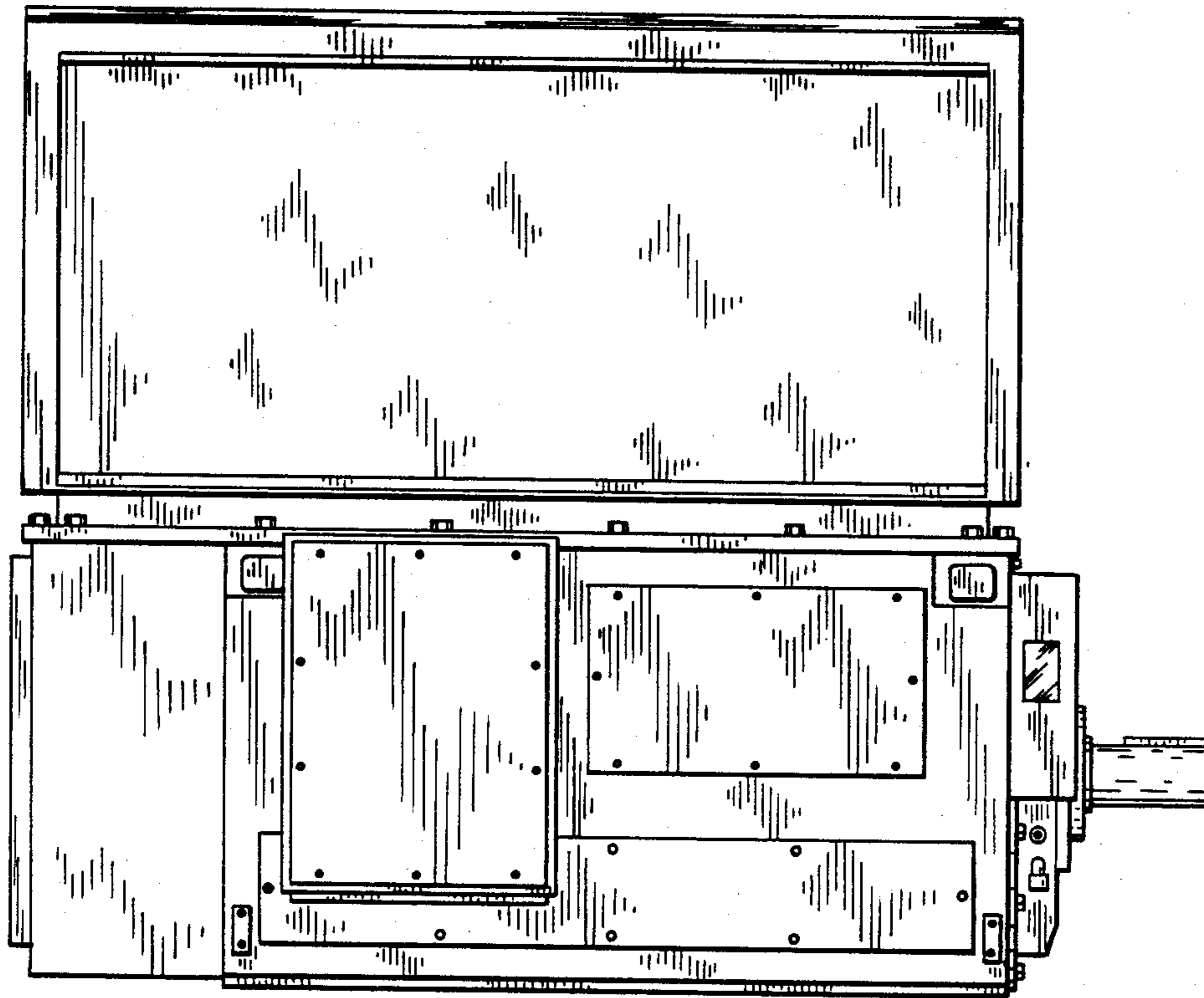


FIG. 3

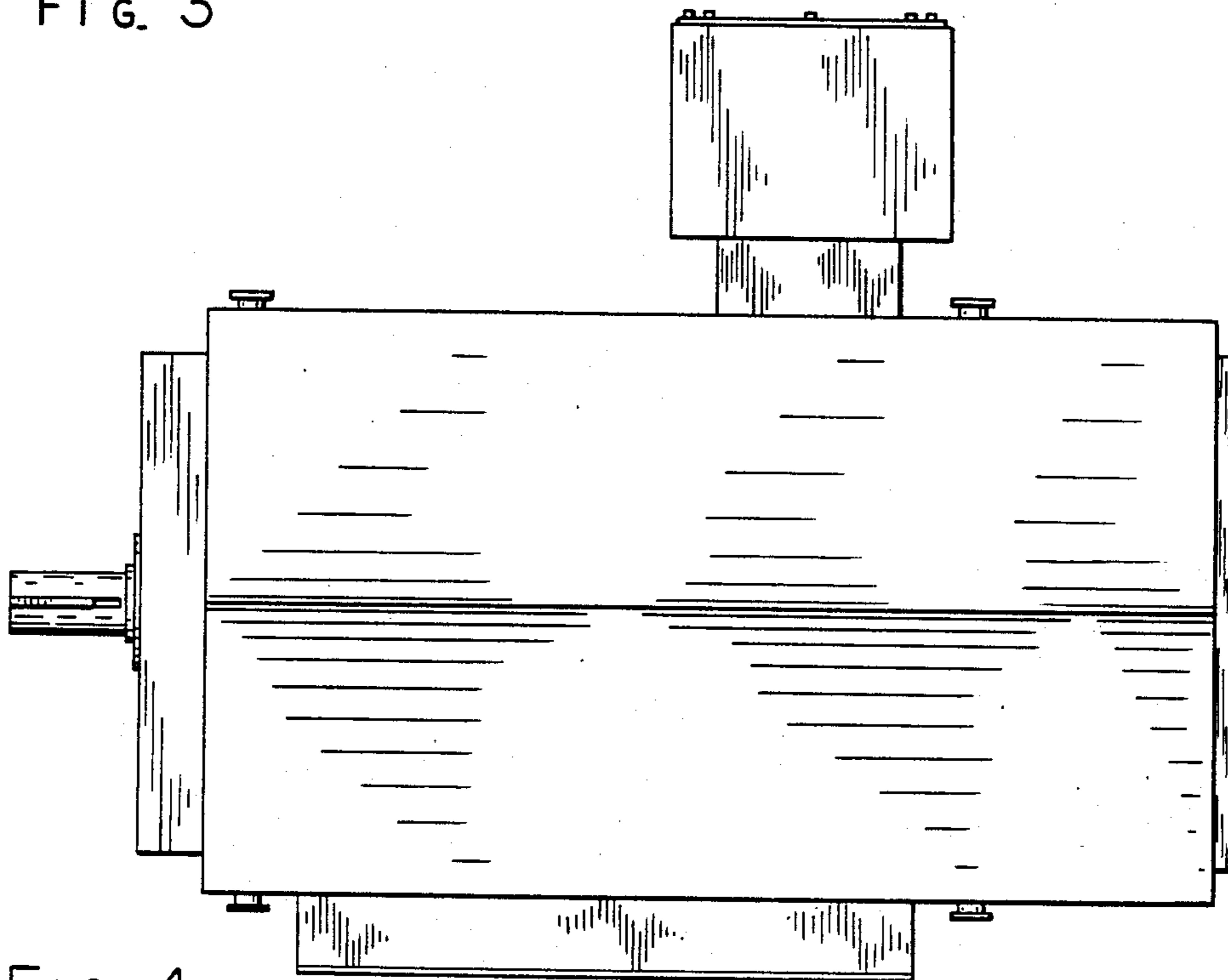


FIG. 4

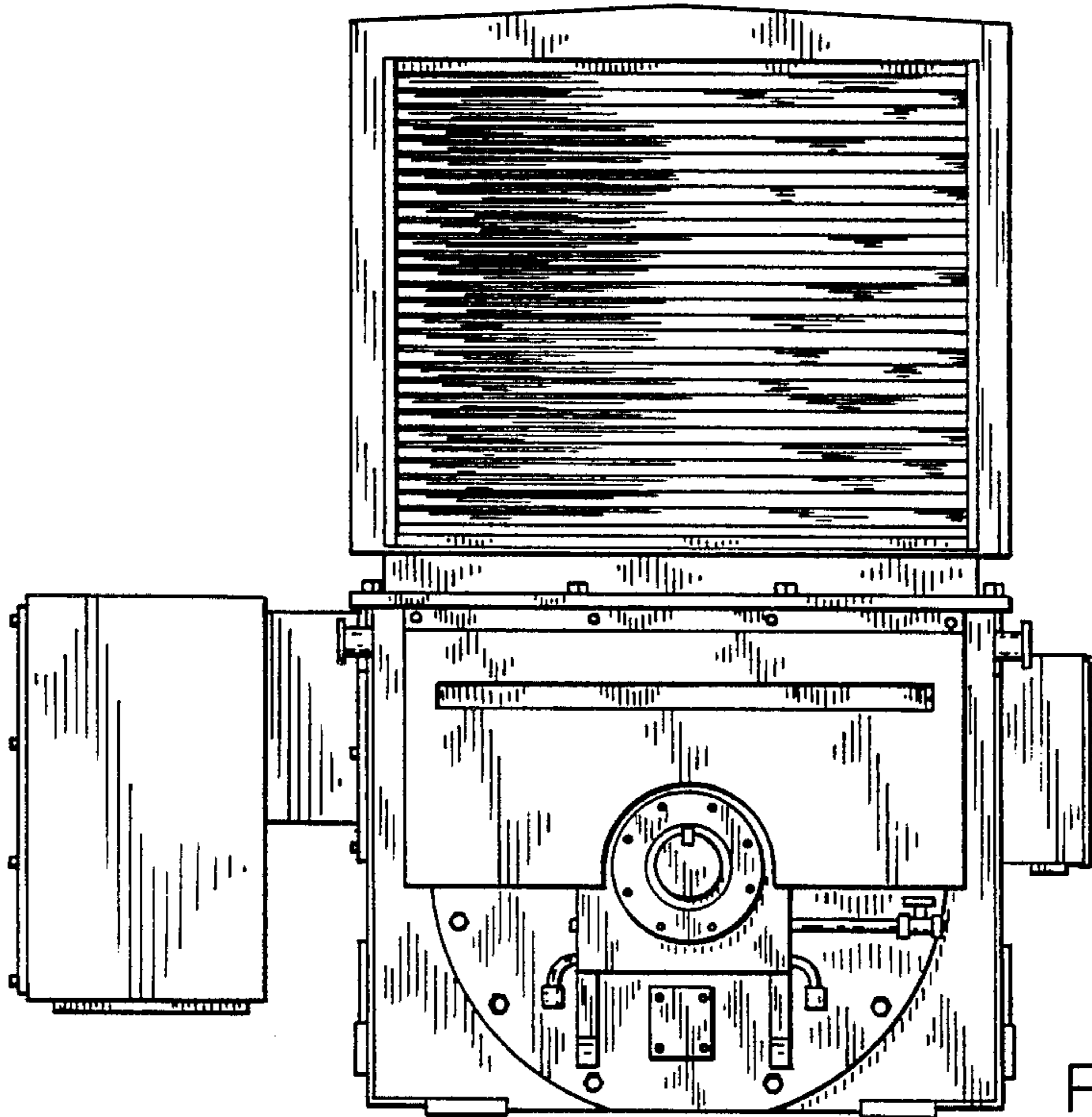


FIG. 5

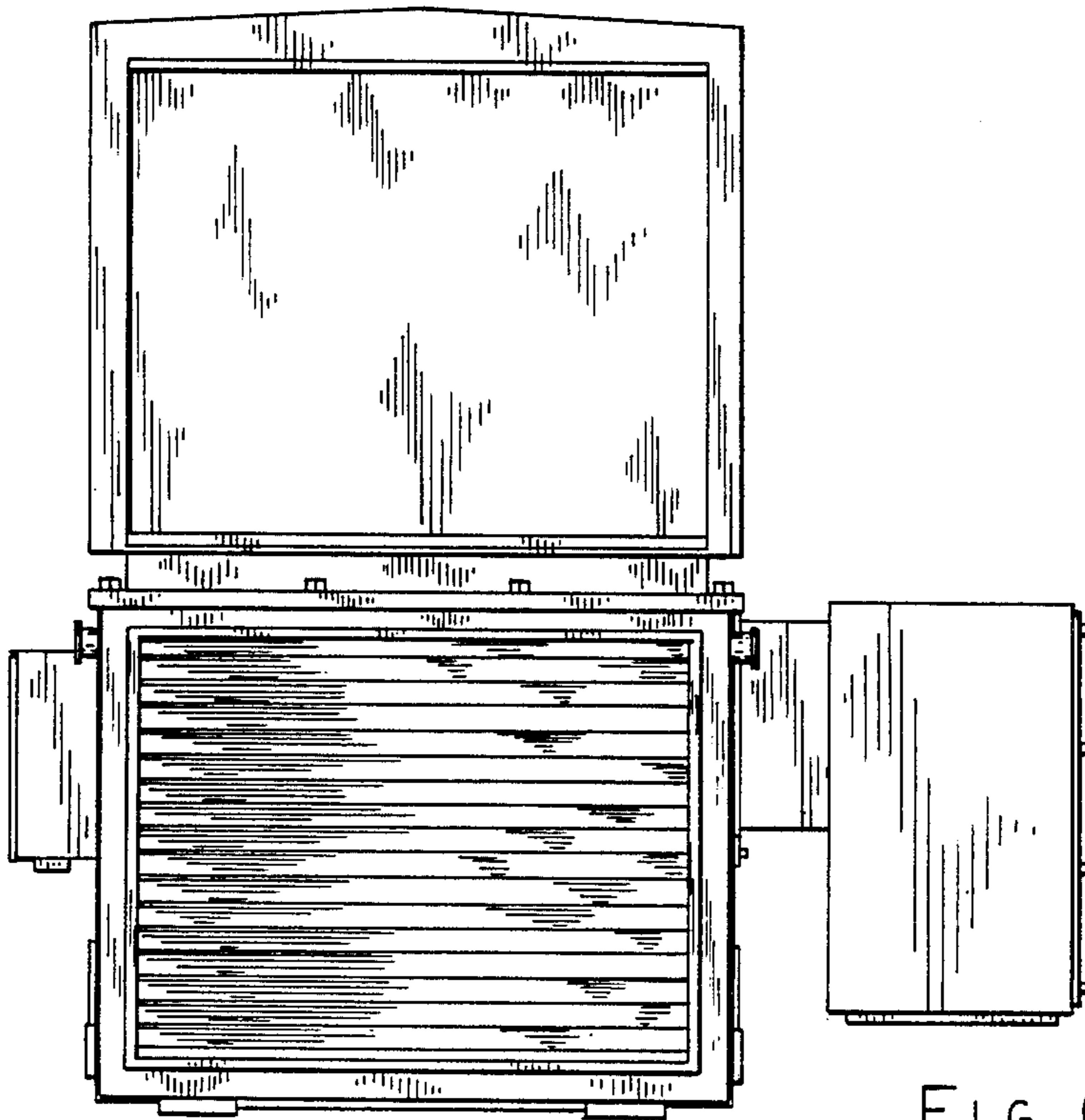


FIG. 6



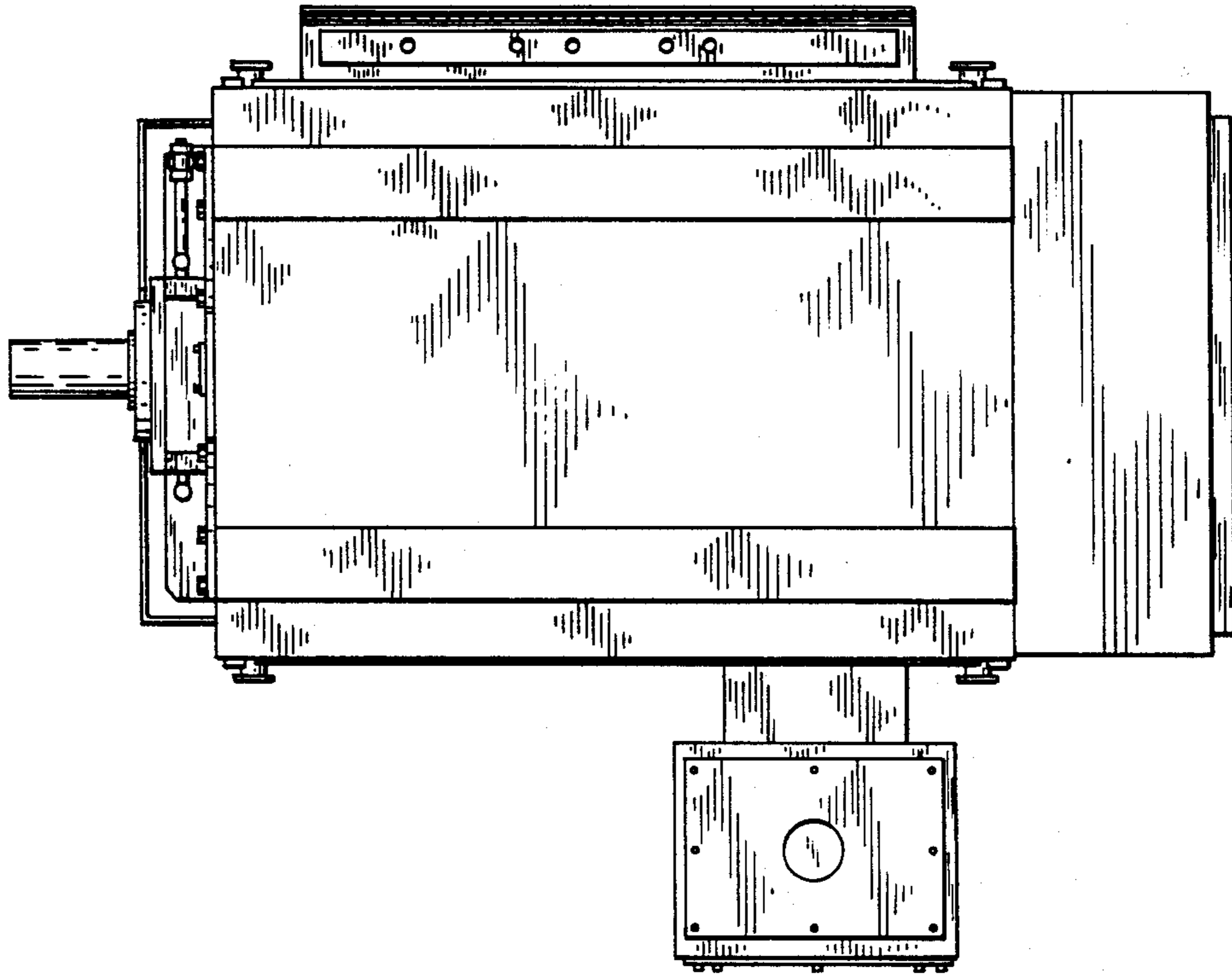


FIG. 7