

- [54] DYNAMOELECTRIC MACHINE
- [75] Inventor: Charles C. Keane, Weymouth, Mass.
- [73] Assignee: General Electric Company, Fort Wayne, Ind.
- [\*\*] Term: 14 Years
- [21] Appl. No.: 774,555
- [22] Filed: Sep. 10, 1985
- [52] U.S. Cl. .... D13/3
- [58] Field of Search ..... D13/1-3;  
310/10, 40 R, 42, 64-66, 85, 88, 89, 90, 91

Electrical Consultant, vol. 63, Jan.-Feb. 1981, p. 43, Generator-bottom right.  
 GEA-10347-A (10/80) General Electric brochure entitled "Get Your Motor's Worth with General Electric Performance Designed Large AC Motors".  
 GEA-8684 (3/74) General Electric brochure entitled "Discover Hidden Values in Custom 8000 ® Induction and Synchronous Motors 250 HP and Larger".

Primary Examiner—Wallace R. Burke  
 Assistant Examiner—Ruth Takemoto  
 Attorney, Agent, or Firm—John M. Stoudt

[57] CLAIM

The ornamental design for a dynamoelectric machine, as shown and described.

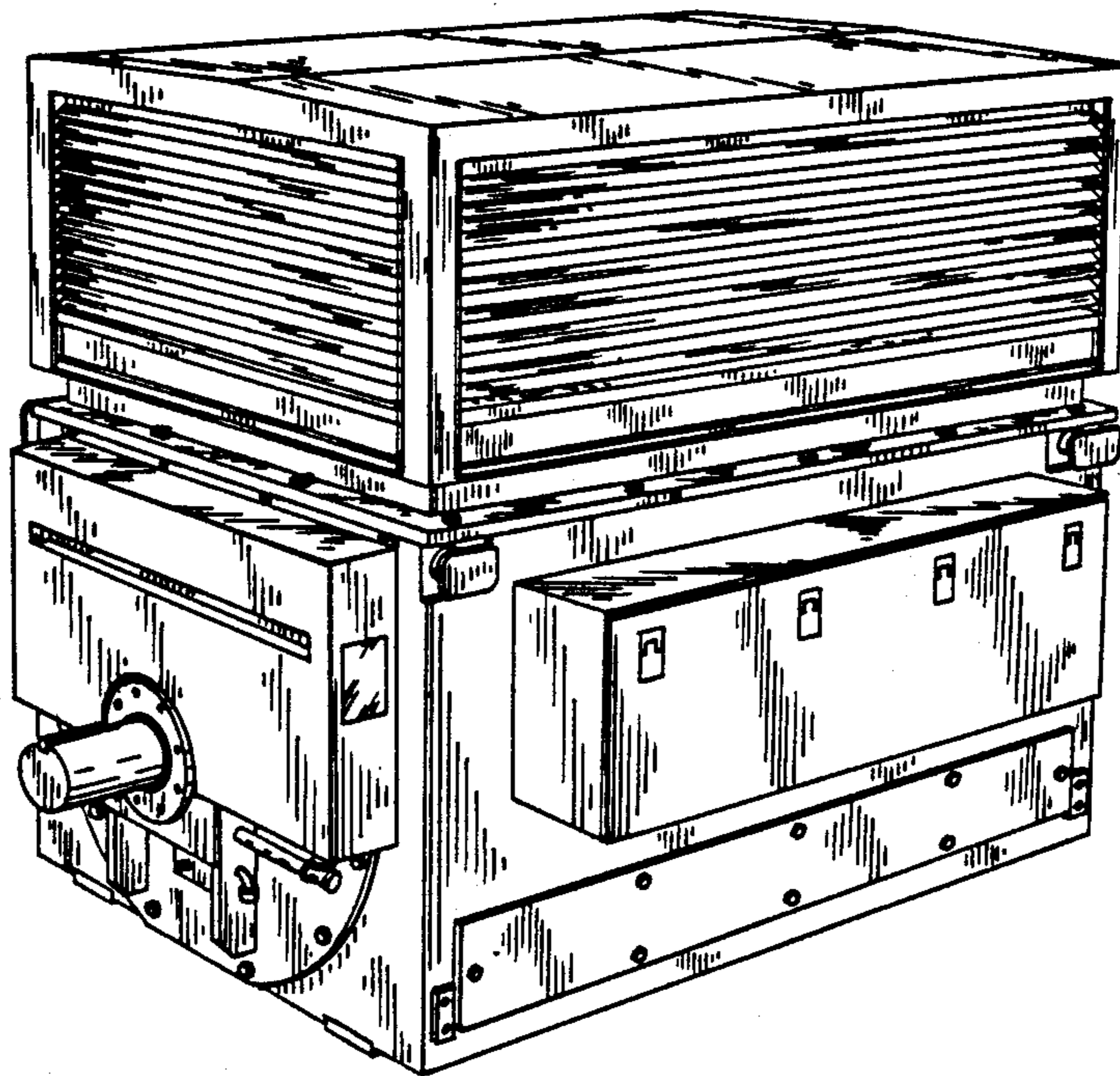
- [56] References Cited
- U.S. PATENT DOCUMENTS
- D. 186,594 11/1959 Forsty ..... D13/1
- 190,584 1/1961 Hallenbeck et al. .... D26/5
- D. 191,982 12/1961 Eisenhart ..... D13/1
- D. 287,715 1/1987 Pittman, III et al. .... D13/1

DESCRIPTION

FIG. 1 is a perspective view of a dynamoelectric machine, showing my new design;  
 FIG. 2 is a front elevational view thereof;  
 FIG. 3 is a rear elevational view thereof;  
 FIG. 4 is a top plan view thereof;  
 FIG. 5 is a left end elevational view thereof;  
 FIG. 6 is a right end elevational view thereof; and,  
 FIG. 7 is a bottom plan view thereof.

OTHER PUBLICATIONS

Electrical Consultant, vol. 63, Jan.-Feb. 1983, p. 54, Rotary UPS.



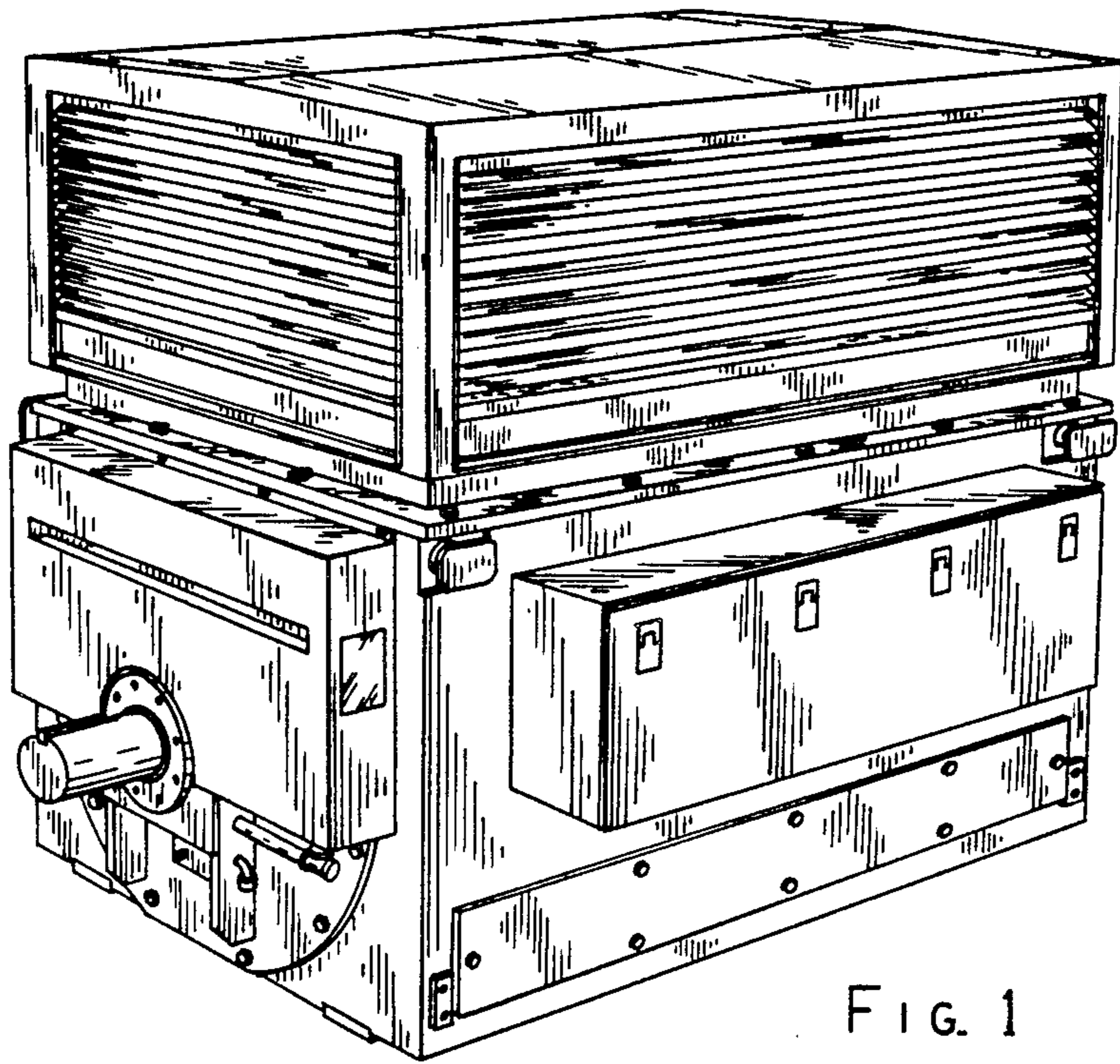


FIG. 1

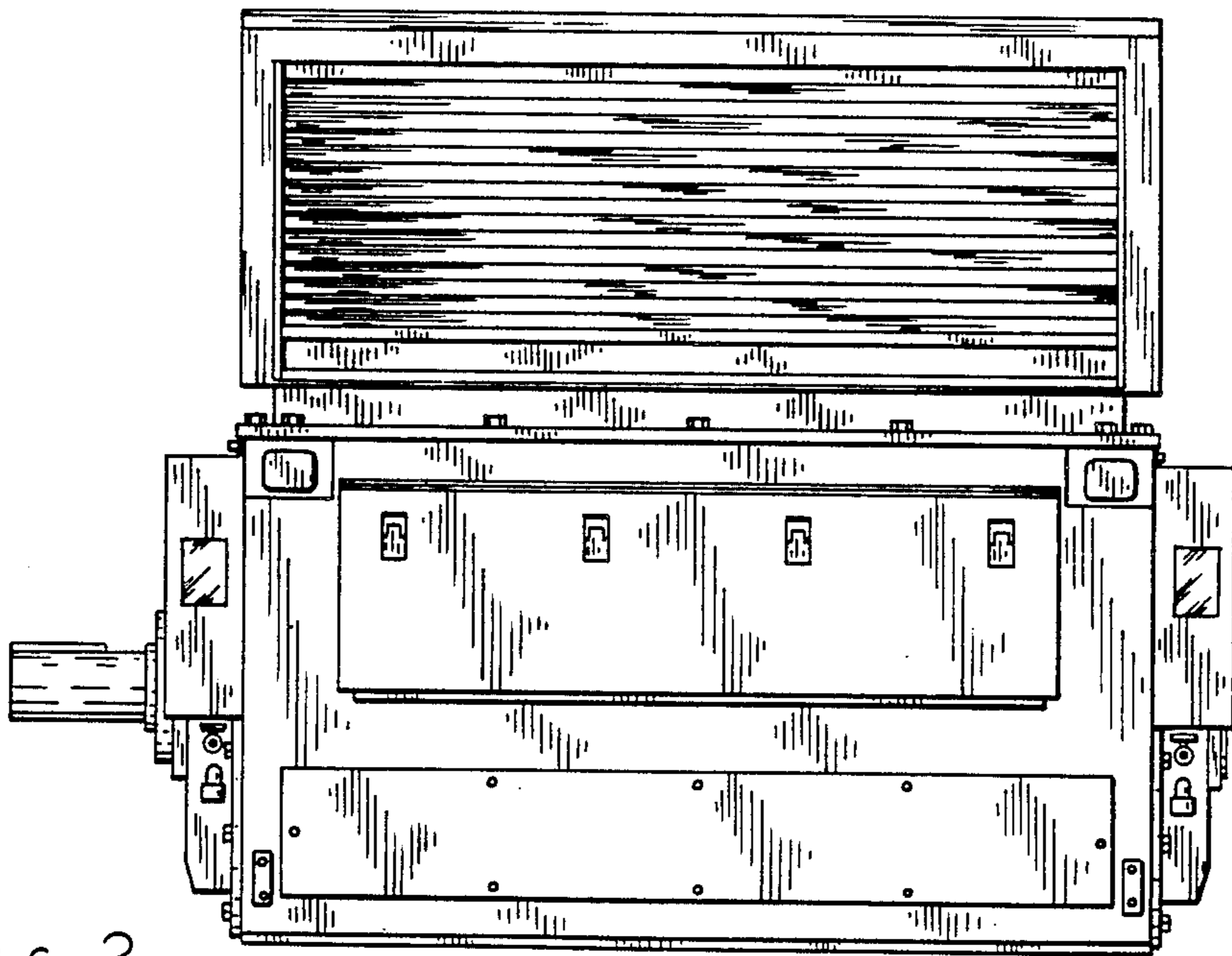


FIG. 2

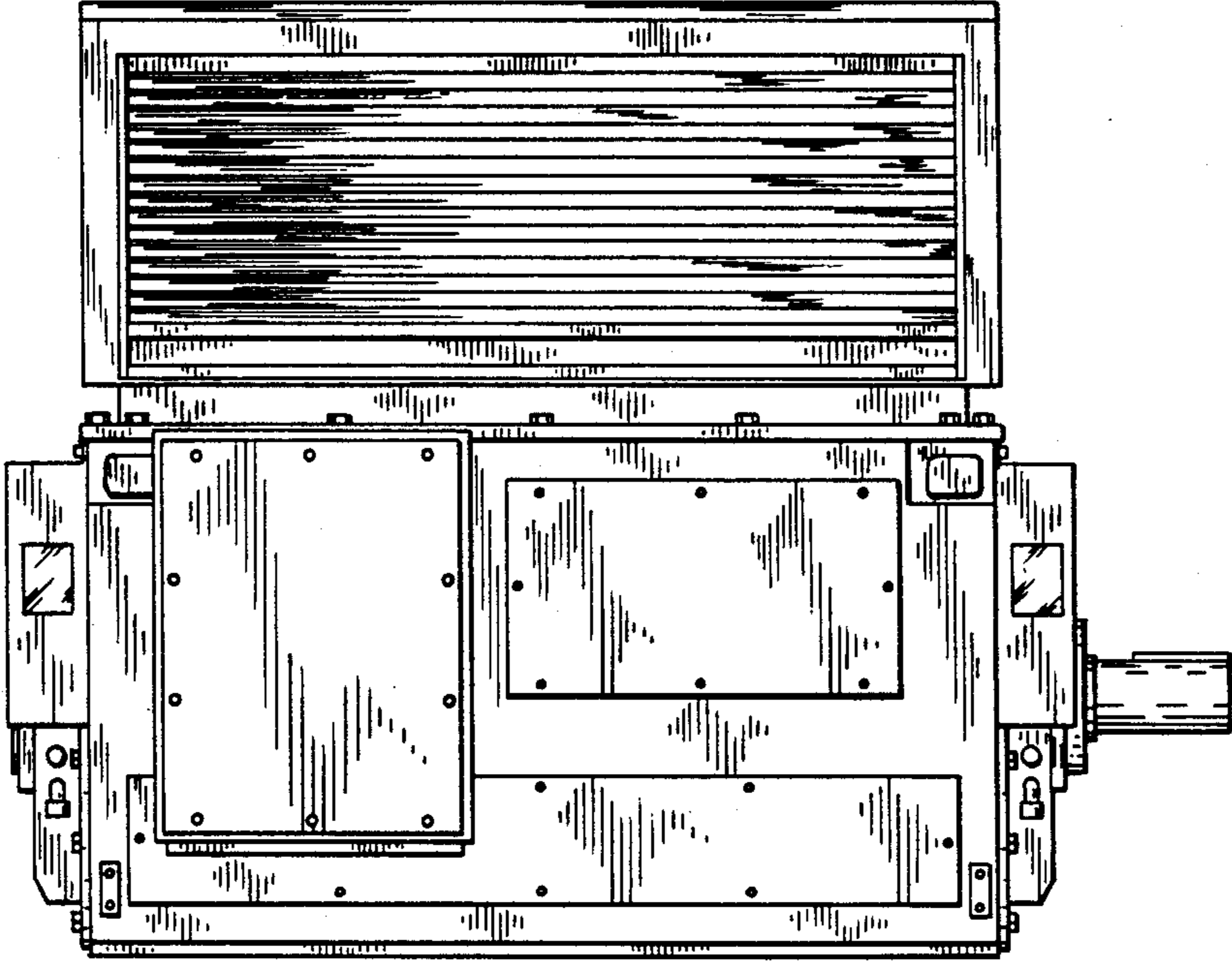


FIG. 3

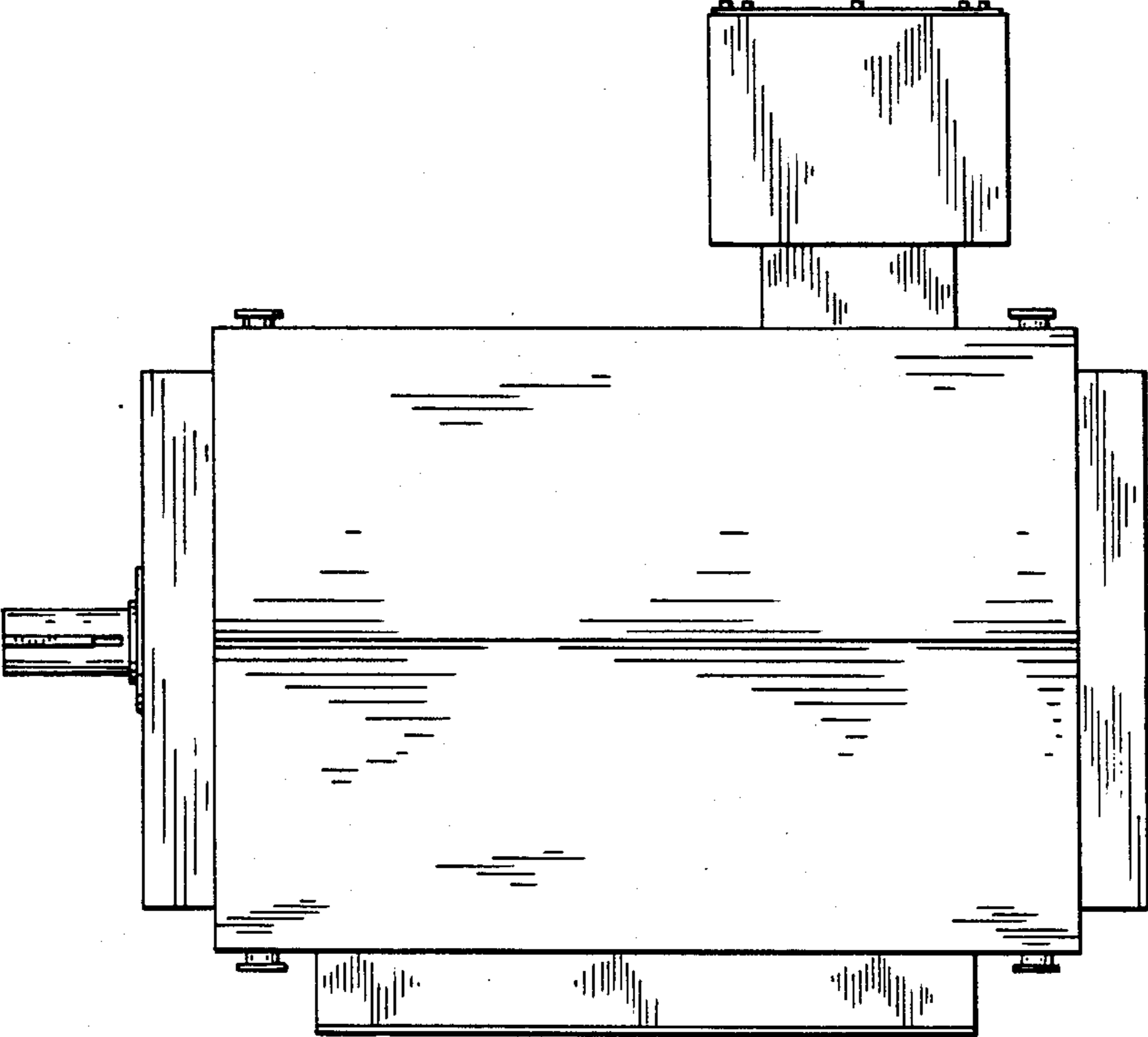


FIG. 4

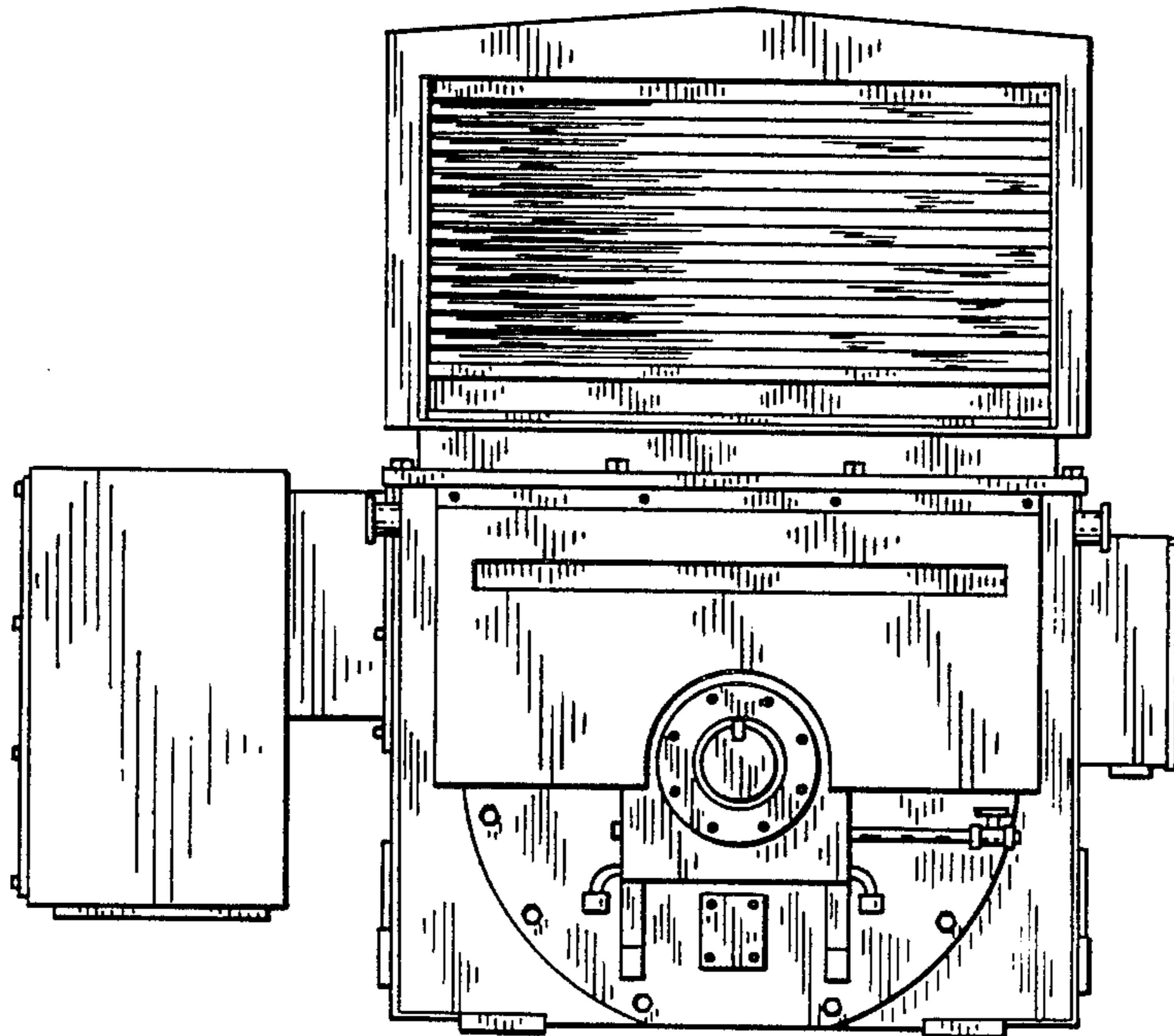


FIG. 5

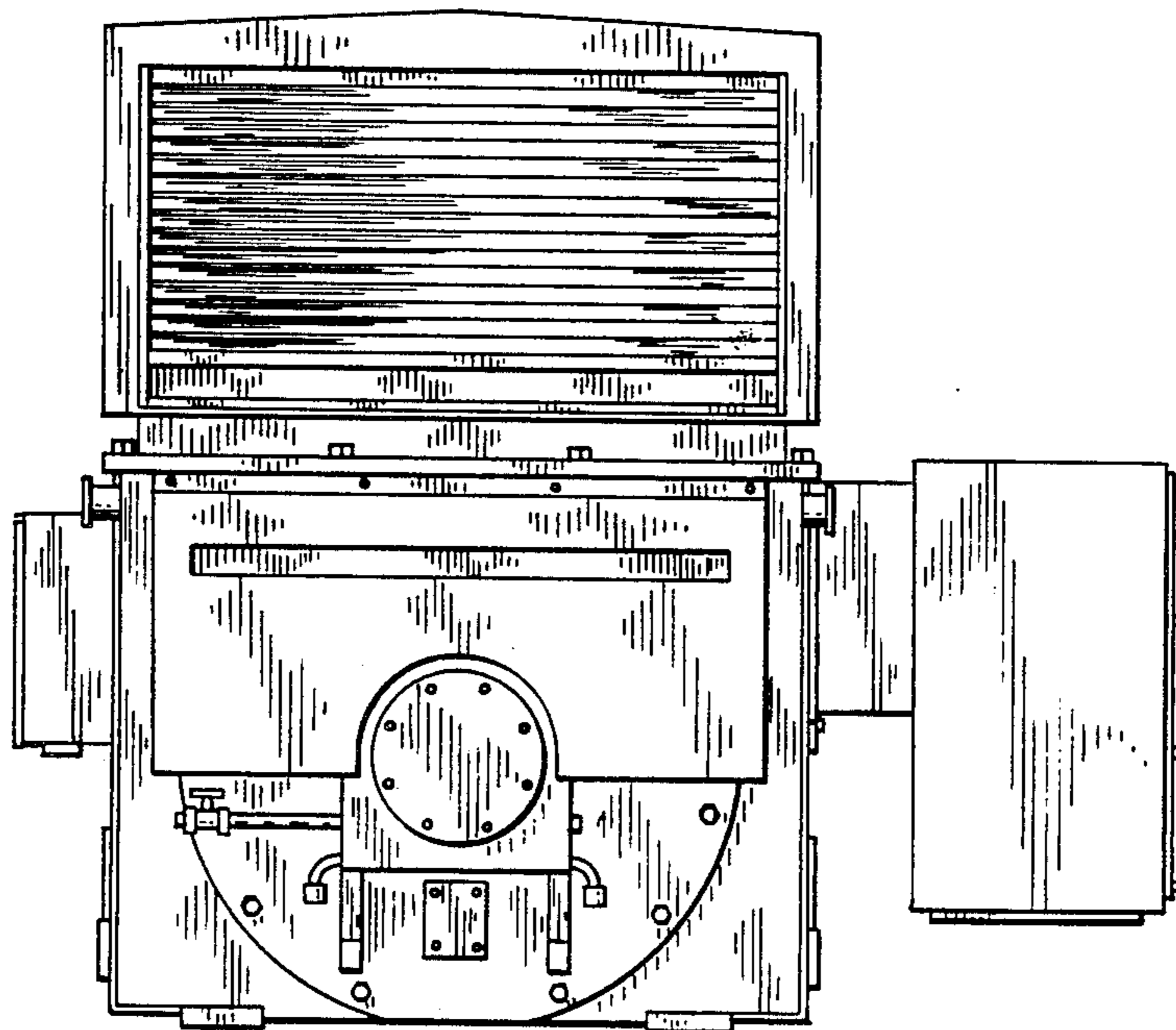


FIG. 6

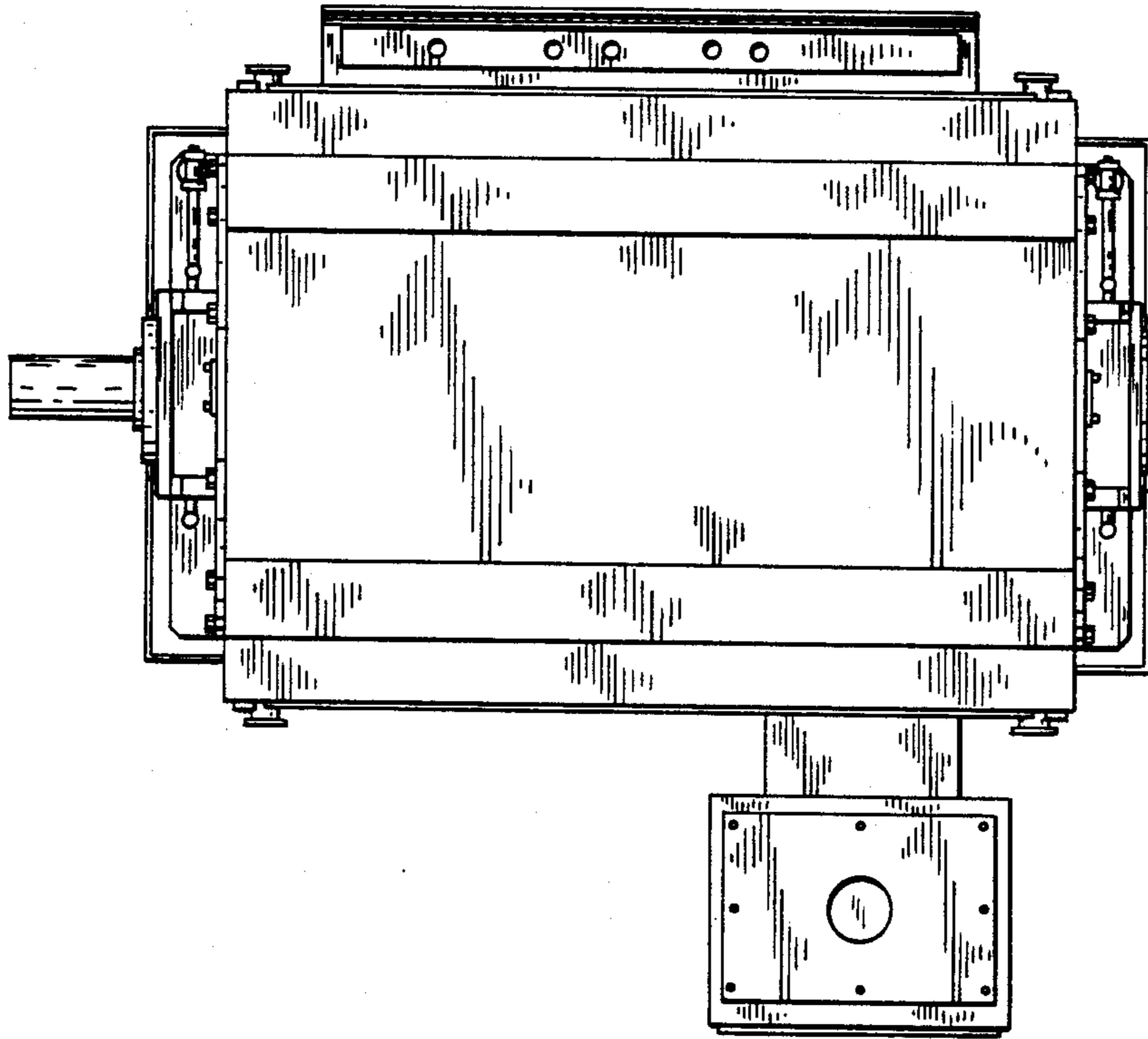


FIG. 7