

United States Patent [19]

Michel et al.

[11] Patent Number: Des. 294,476

[45] Date of Patent: ** Mar. 1, 1988

[54] MODULAR WHEELCHAIR BASE

[75] Inventors: James J. Michel, Agoura; Stephen H. Kaminski, Burbank, both of Calif.

[73] Assignee: Everest & Jennings, Inc., Calif.

[**] Term: 14 Years

[21] Appl. No.: 806,202

[22] Filed: Nov. 25, 1985

[52] U.S. Cl. D12/133; D12/131; D34/23

[58] Field of Search D12/131, 132, 133, 128, D12/85; 280/242 WC; 297/DIG. 4; D34/23, 27; D8/375

[56]

References Cited

U.S. PATENT DOCUMENTS

D. 253,465 11/1979 Lobdell D34/23
D. 275,379 9/1984 Wenzel D12/85
4,688,812 8/1987 Everard 280/242 WC

Primary Examiner—James M. Gandy

Assistant Examiner—Kay H. Chin

Attorney, Agent, or Firm—Kelly, Bauersfeld & Lowry

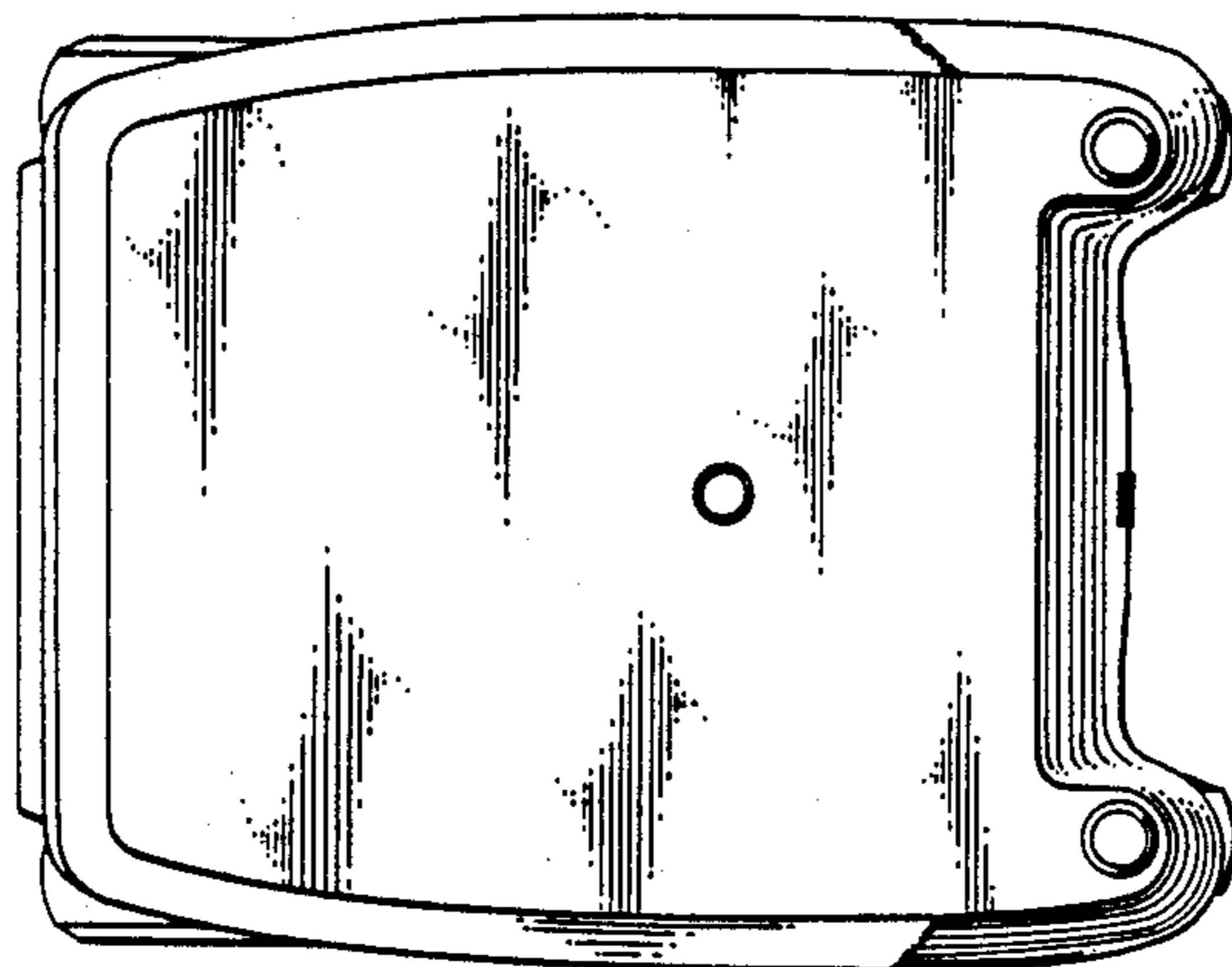
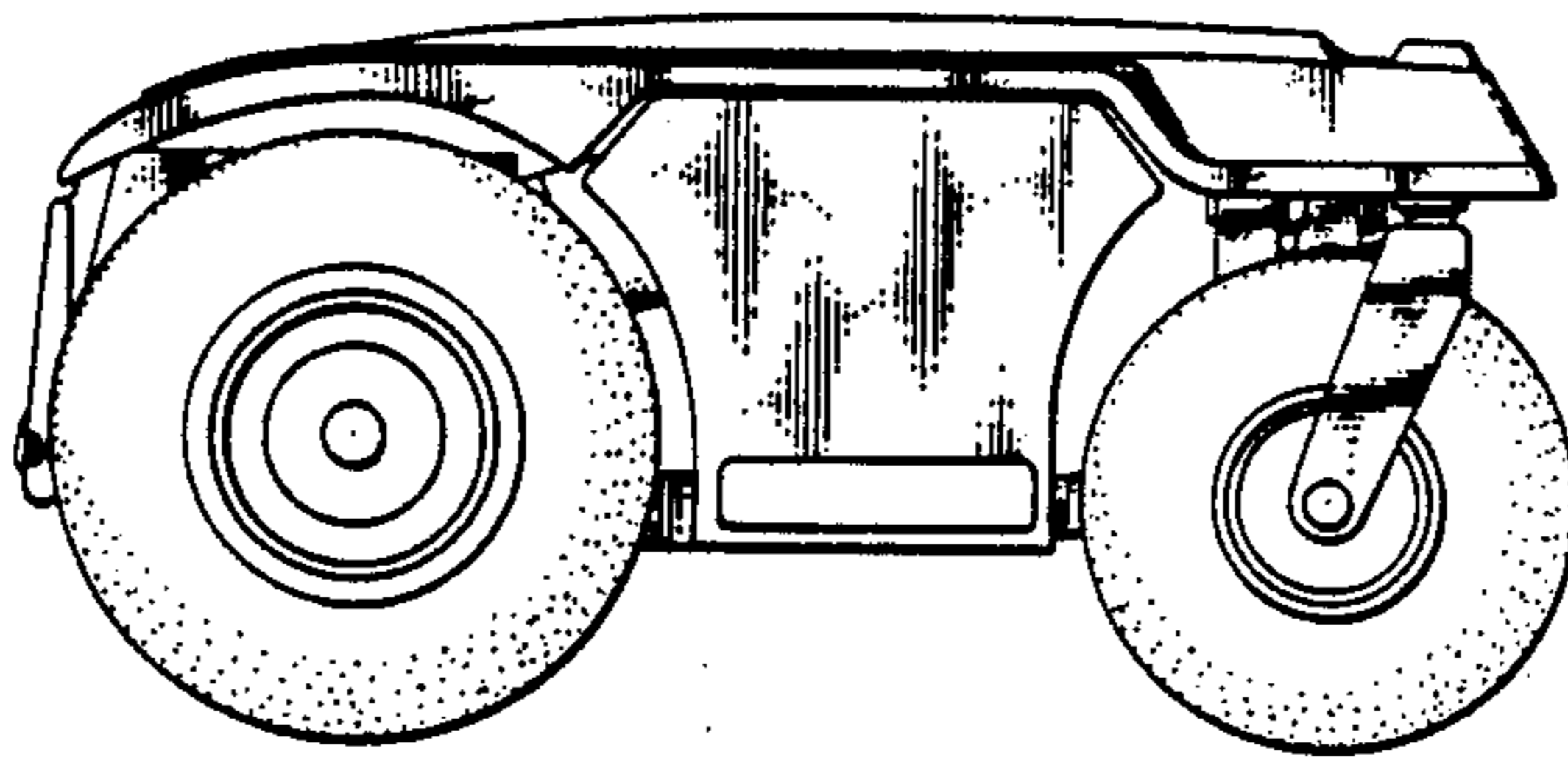
[57]

CLAIM

The ornamental design for a modular wheelchair base, substantially as shown and described.

DESCRIPTION

FIG. 1 is a right side elevation view of a modular wheelchair base showing our new design; FIG. 2 is a top plan view thereof; FIG. 3 is a left side elevation view thereof; FIG. 4 is a bottom plan view thereof; FIG. 5 is a front elevation view thereof; and FIG. 6 is a rear elevation view thereof.



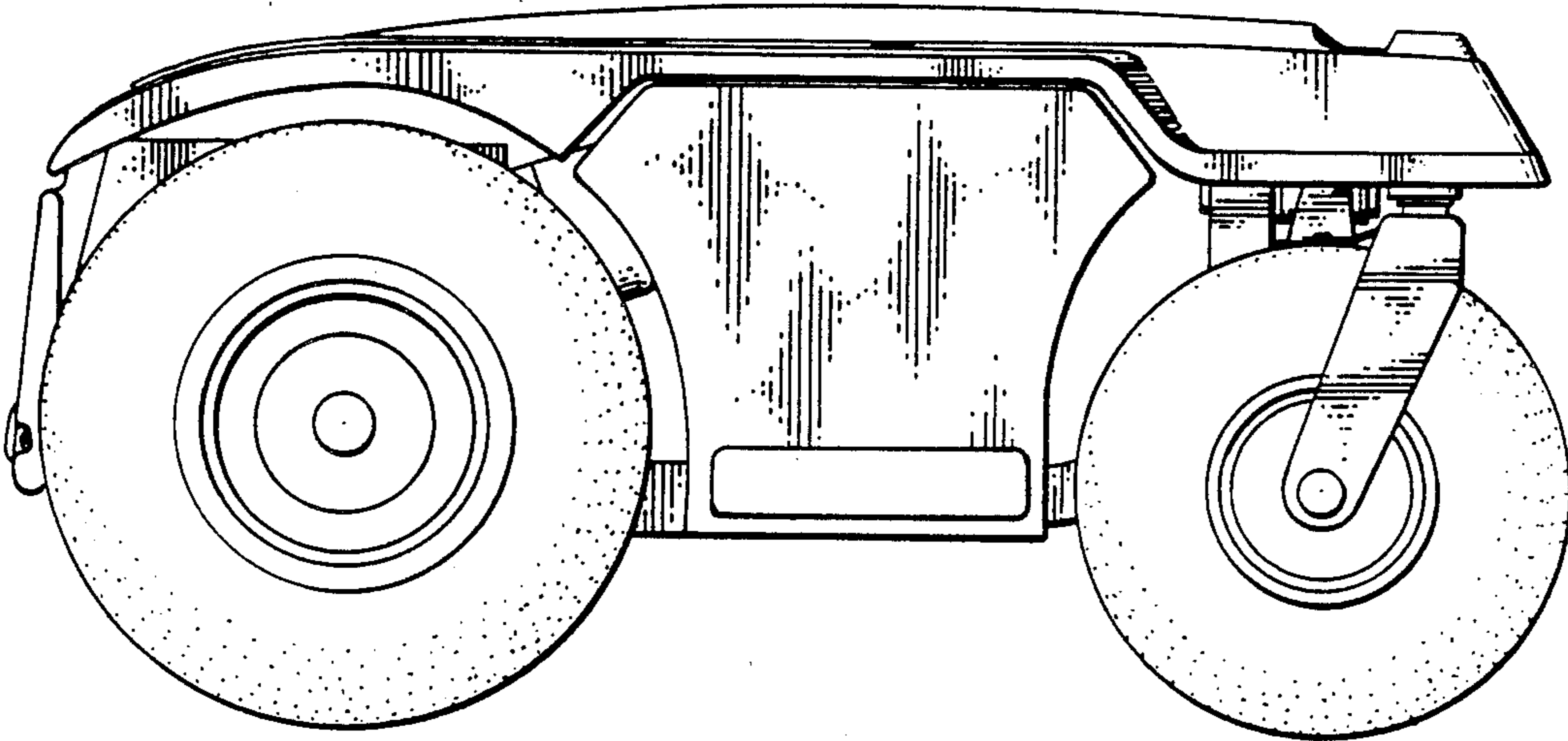


FIG. 1

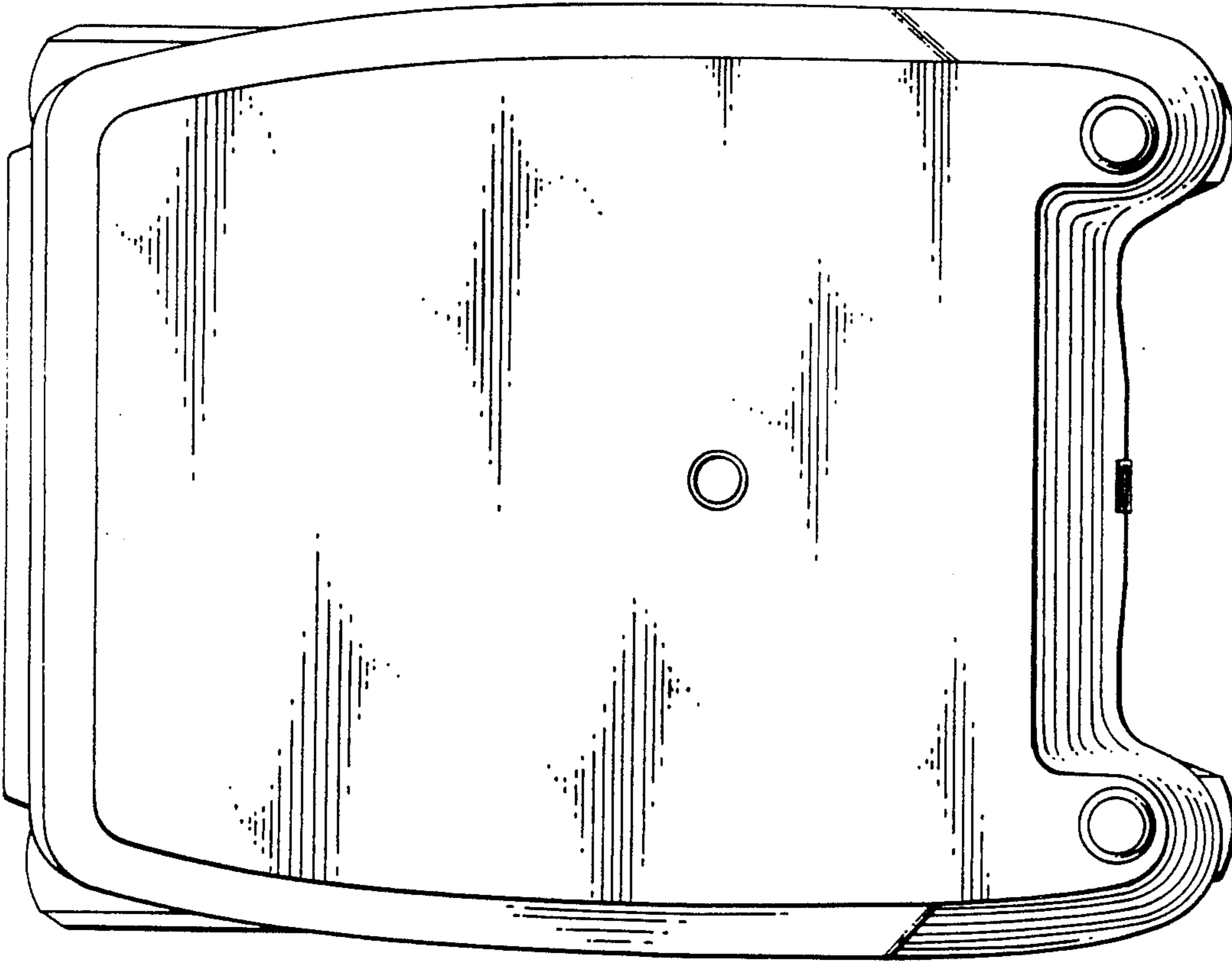


FIG. 2

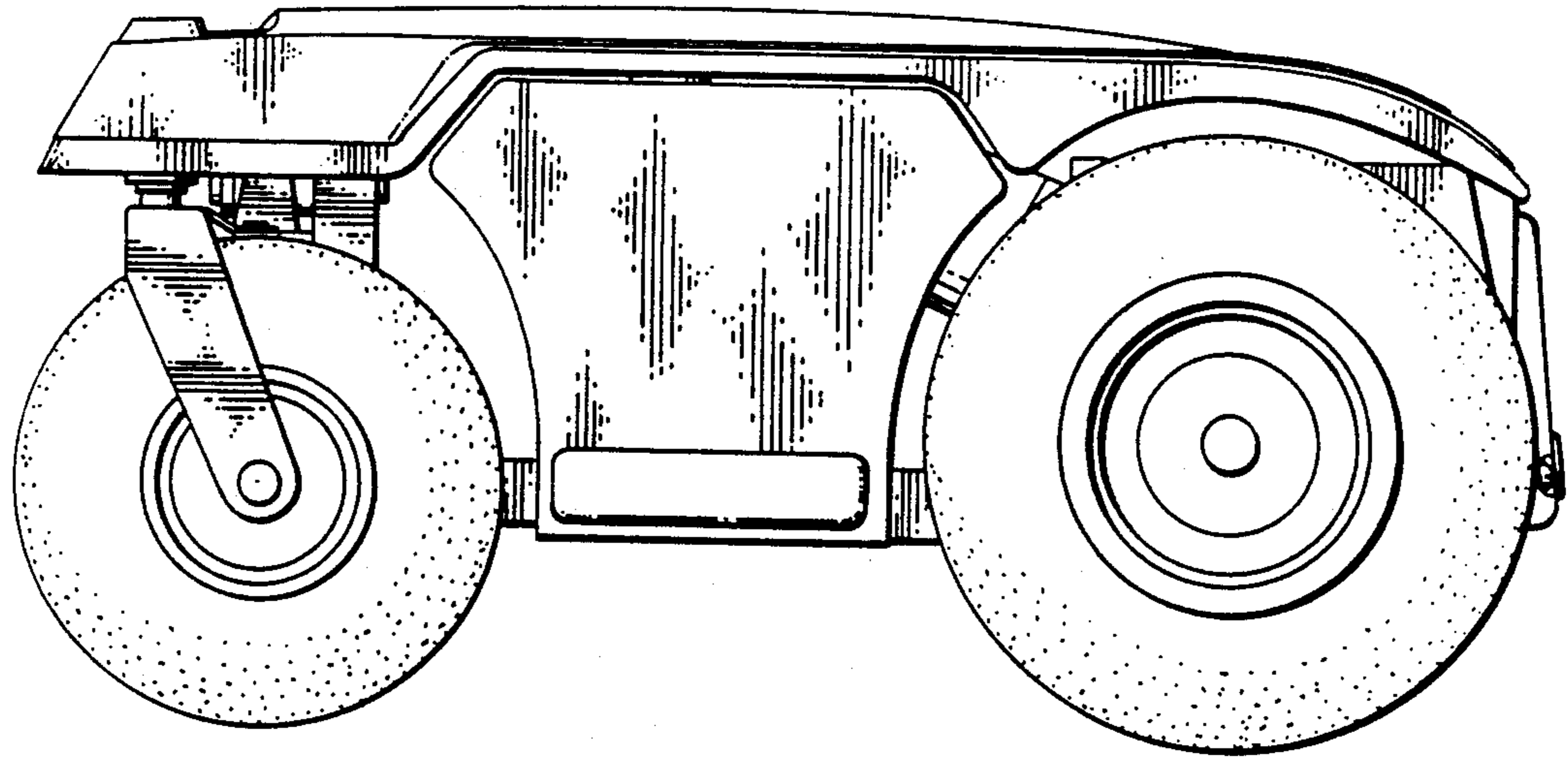


FIG. 3

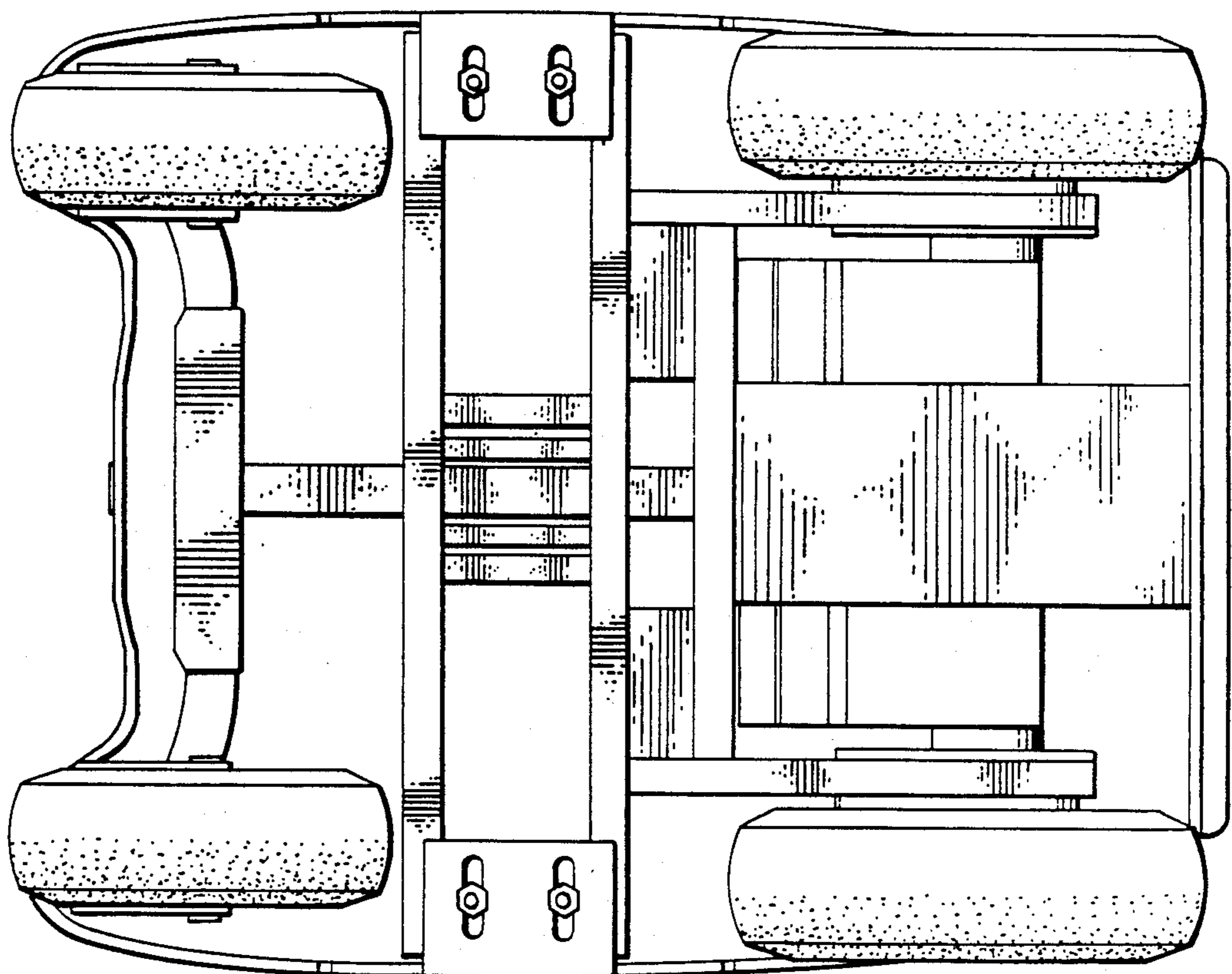


FIG. 4

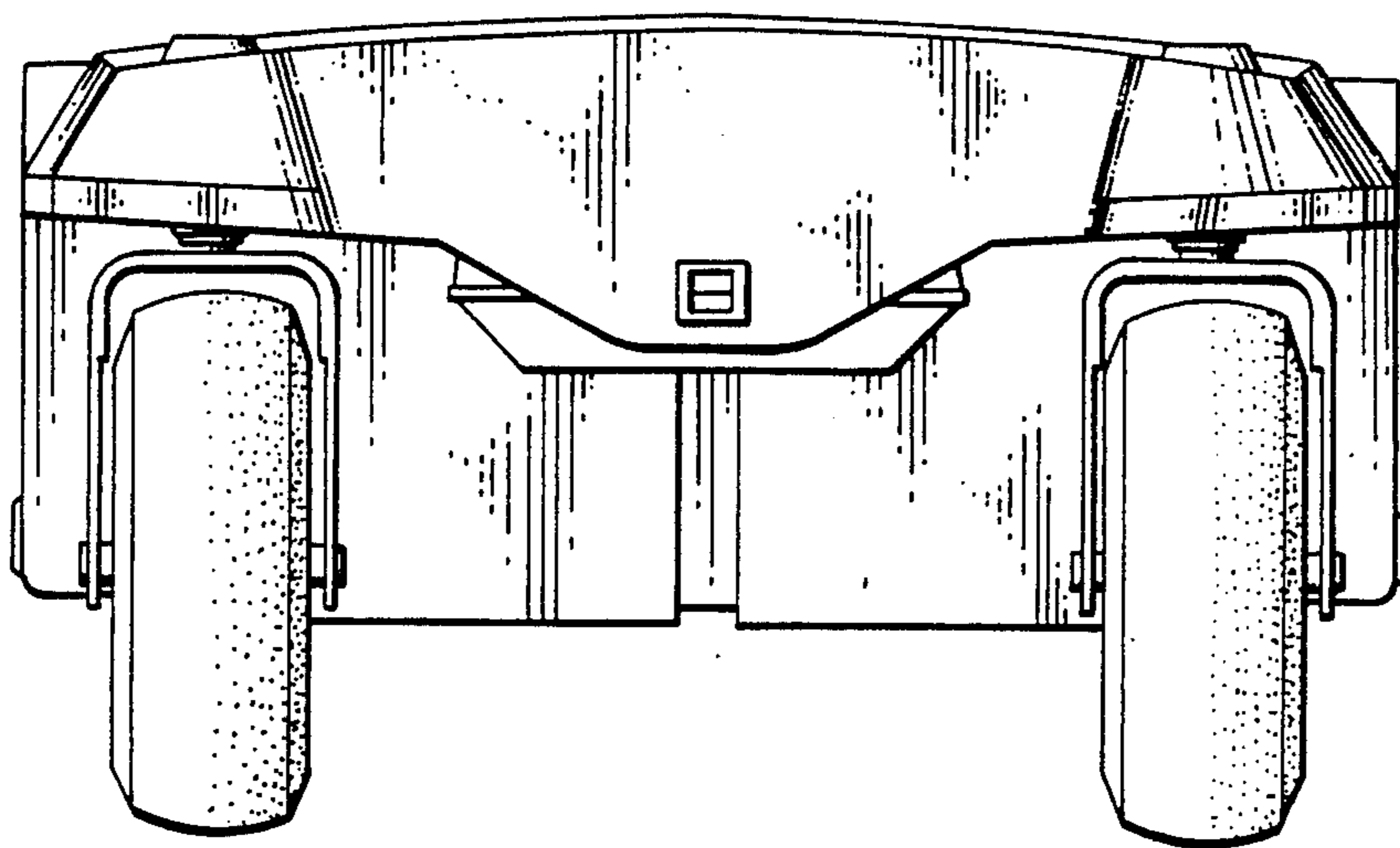


FIG. 5

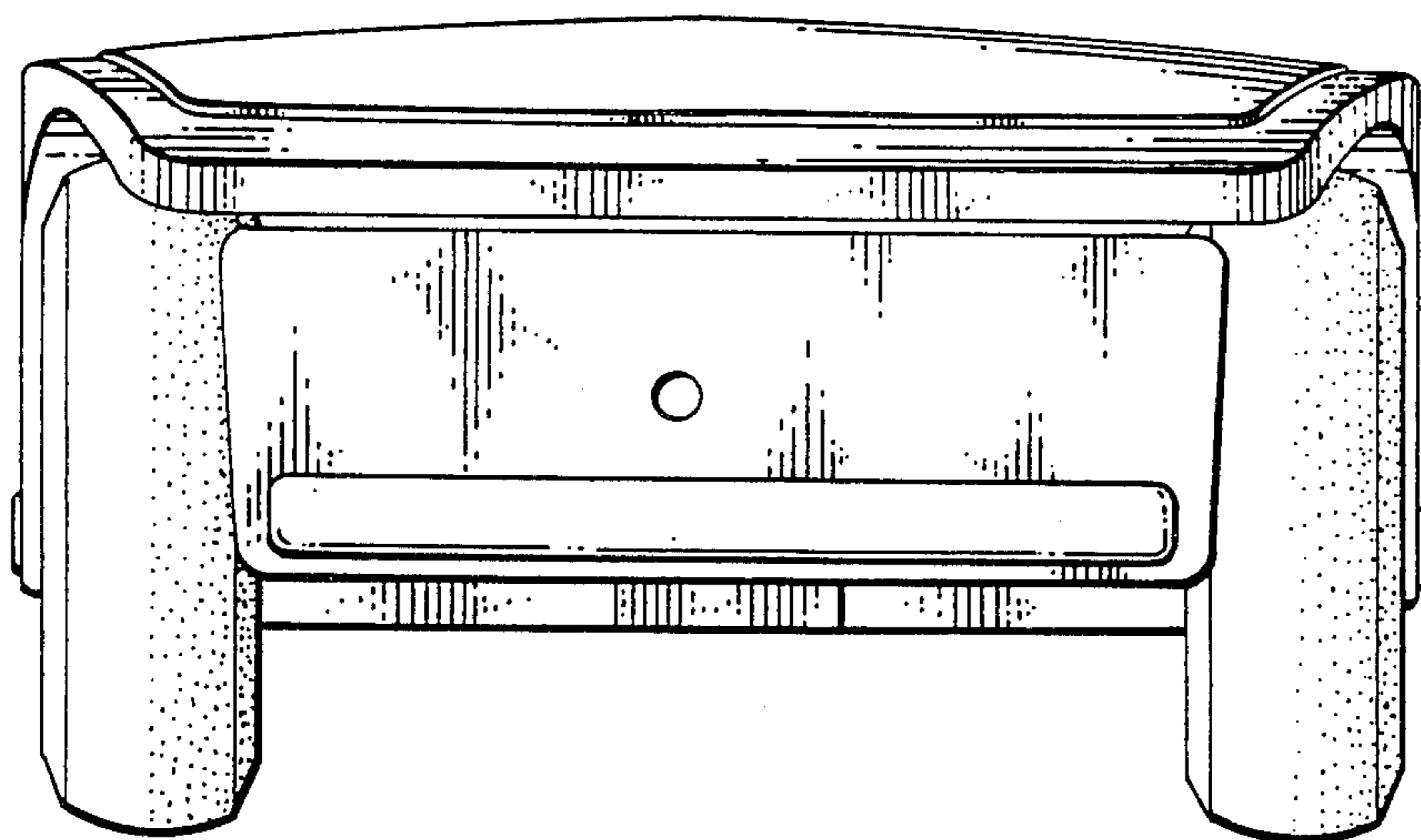


FIG. 6