

[54] APPARATUS FOR MEASURING THE NATURAL FREQUENCY OF ELONGATE OBJECTS

3,383,980	5/1968	Richter	73/579 X
4,070,022	1/1978	Braly	73/579 X
4,078,434	3/1978	Weberhofer	73/579 X
4,212,193	7/1980	Turley	273/77 A X
4,295,374	10/1981	Kusy	73/579

[75] Inventor: Peter M. Dragotta, Wayne, N.J.

[73] Assignee: M. W. Tool Company, Elmwood Park, N.J.

[**] Term: 14 Years

[21] Appl. No.: 710,160

[22] Filed: Mar. 11, 1985

[52] U.S. Cl. D10/46; D10/83; D10/90

[58] Field of Search D10/46, 82, 83, 87, D10/88, 90, 94-95; 73/65, 579, 580; 273/77 A, 80 B, 67.2, 67.3; 177/246

[56] References Cited

U.S. PATENT DOCUMENTS

D. 288,302	2/1987	Myers	D10/90
2,299,424	10/1942	Peters	73/579 X
2,782,633	2/1957	Strauss	73/579

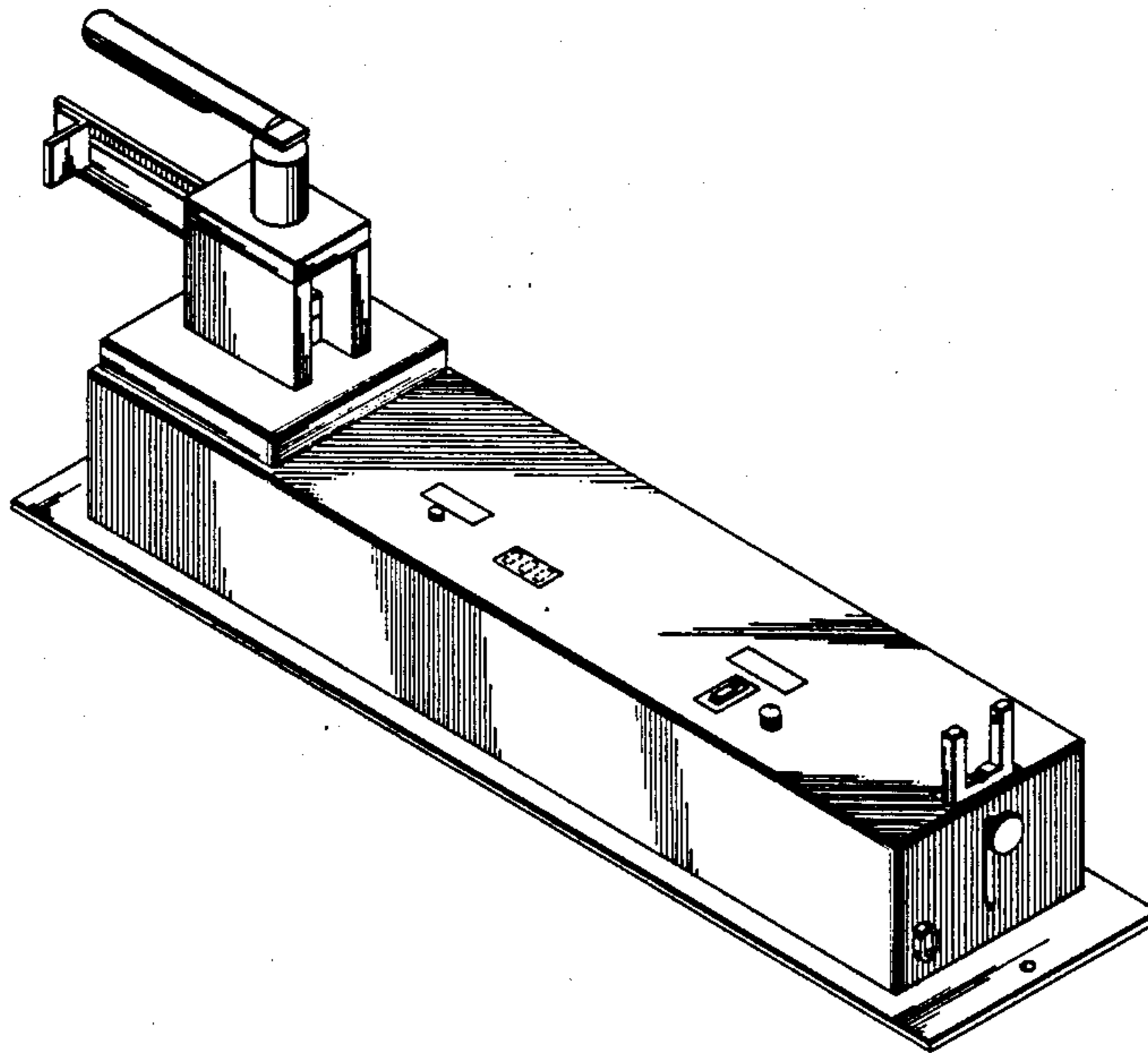
Primary Examiner—Nelson C. Holtje
Attorney, Agent, or Firm—John L. Voellmicke

[57] CLAIM

The ornamental design for an apparatus for measuring the natural frequency of elongate objects, as shown and described.

DESCRIPTION

FIG. 1 is a top and right perspective view of an apparatus for measuring the natural frequency of elongate objects showing my new design; FIG. 2 is a top plan view thereof; FIG. 3 is a front elevational view thereof; FIG. 4 is a rear elevational view thereof; FIG. 5 is a bottom plan view thereof; FIG. 6 is a right side elevational view thereof; and FIG. 7 is a left side elevational view thereof.



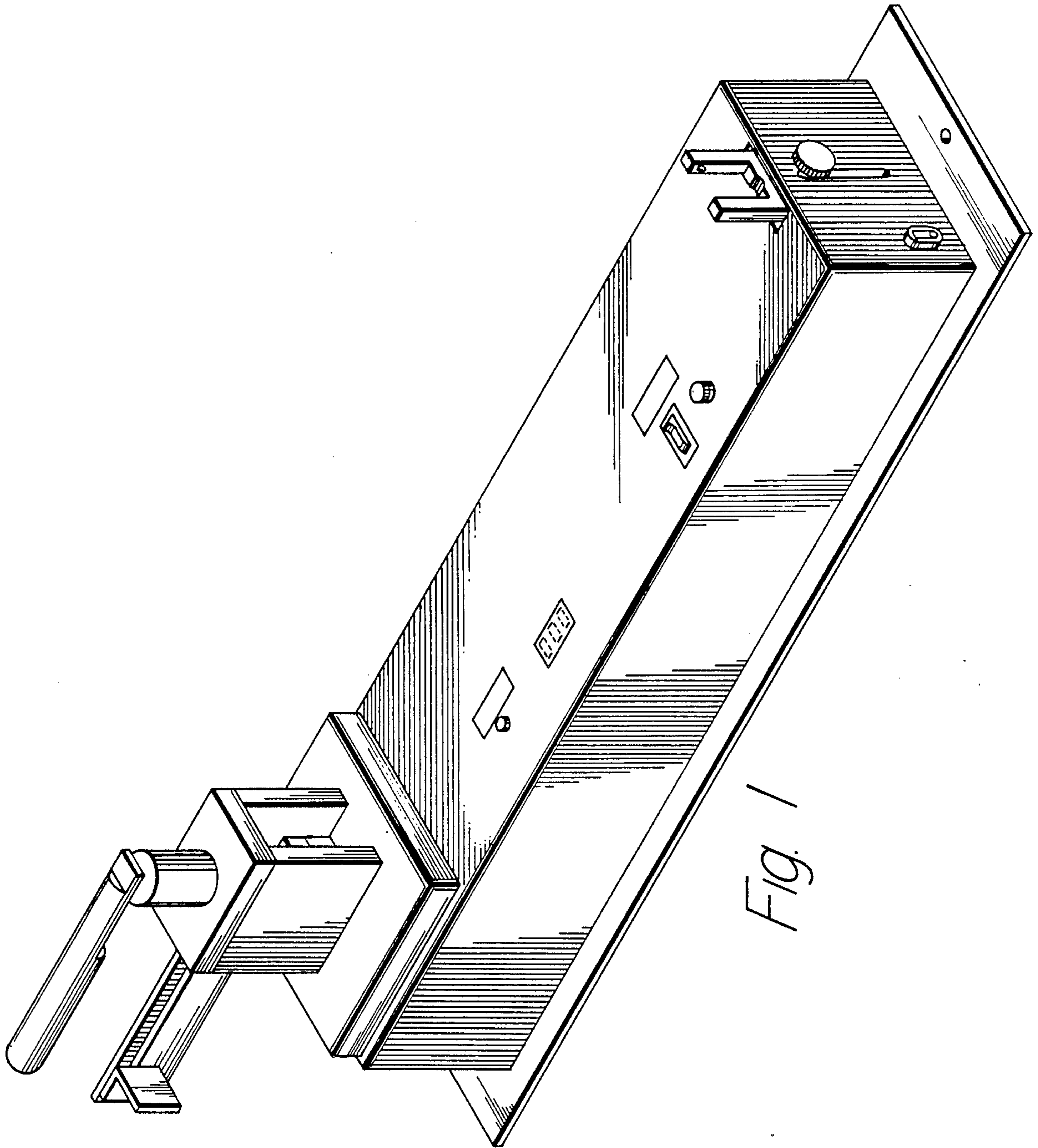


Fig. 1

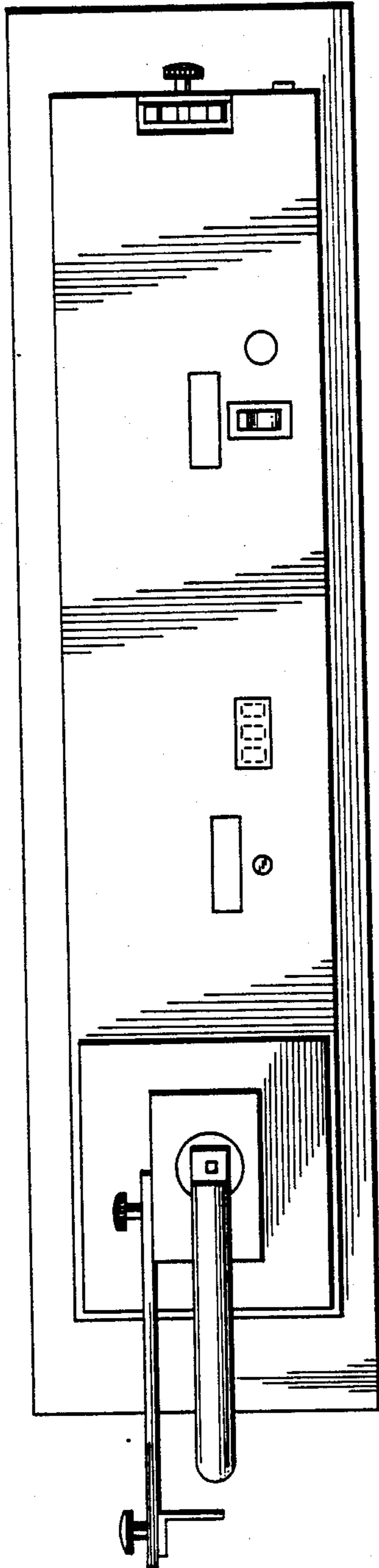


Fig. 2

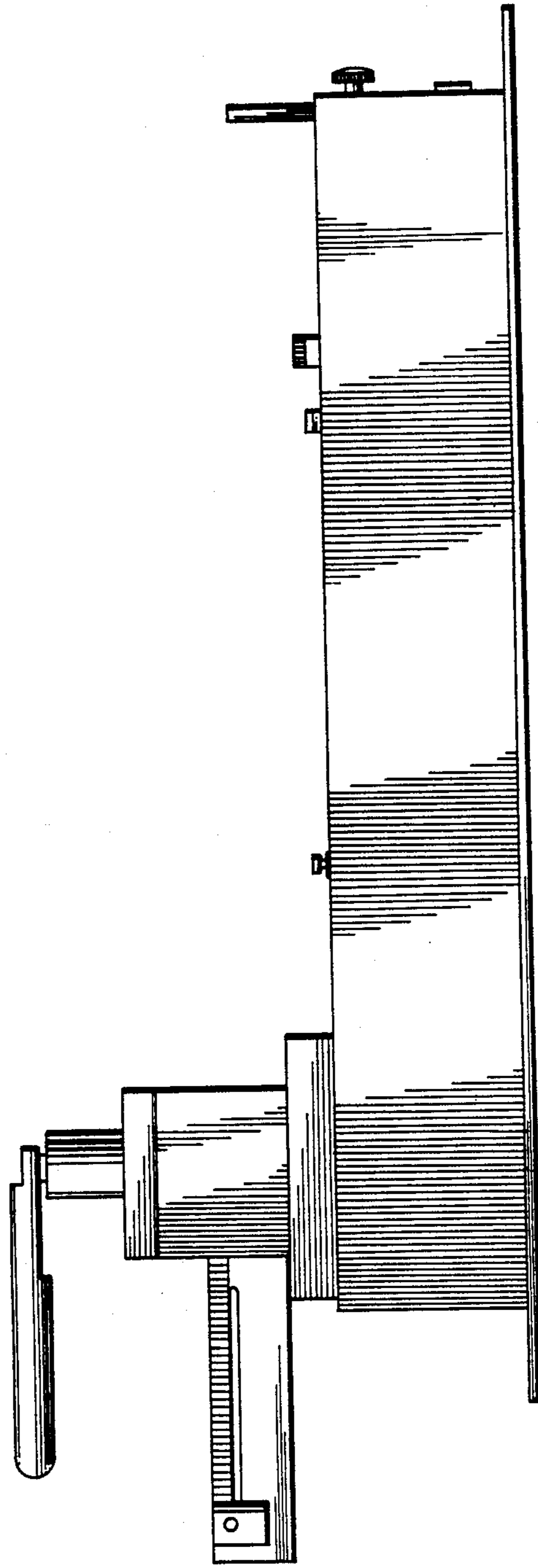


Fig. 3

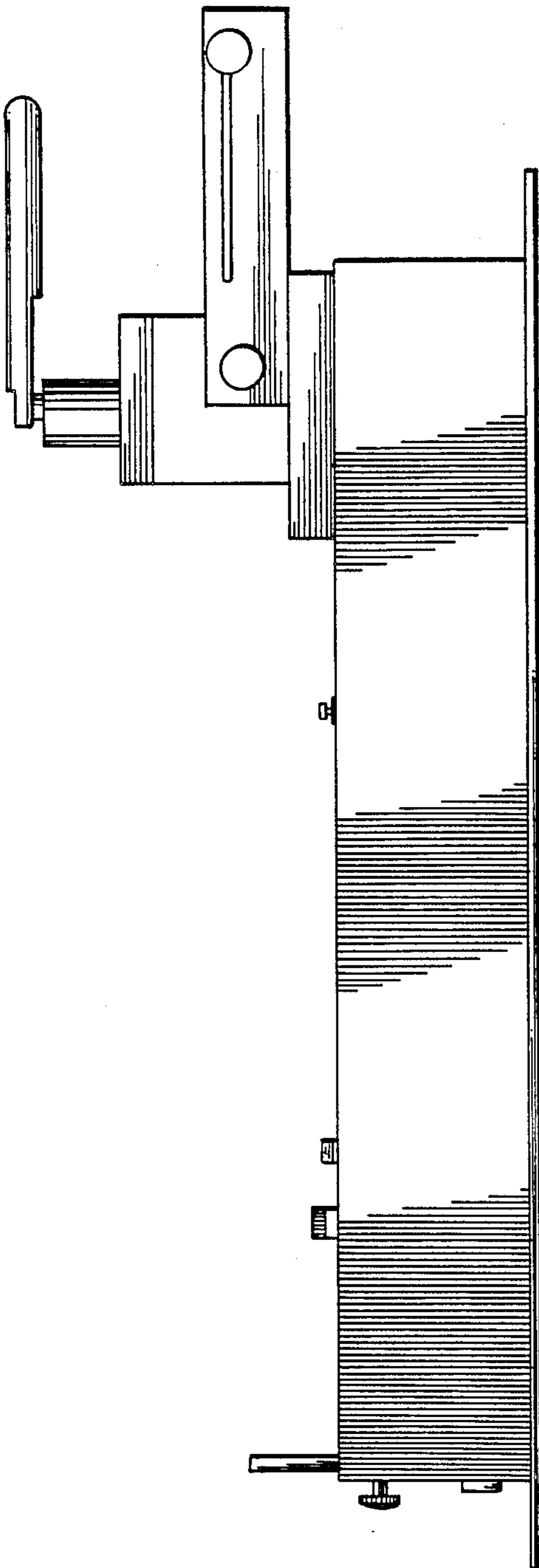


Fig. 4

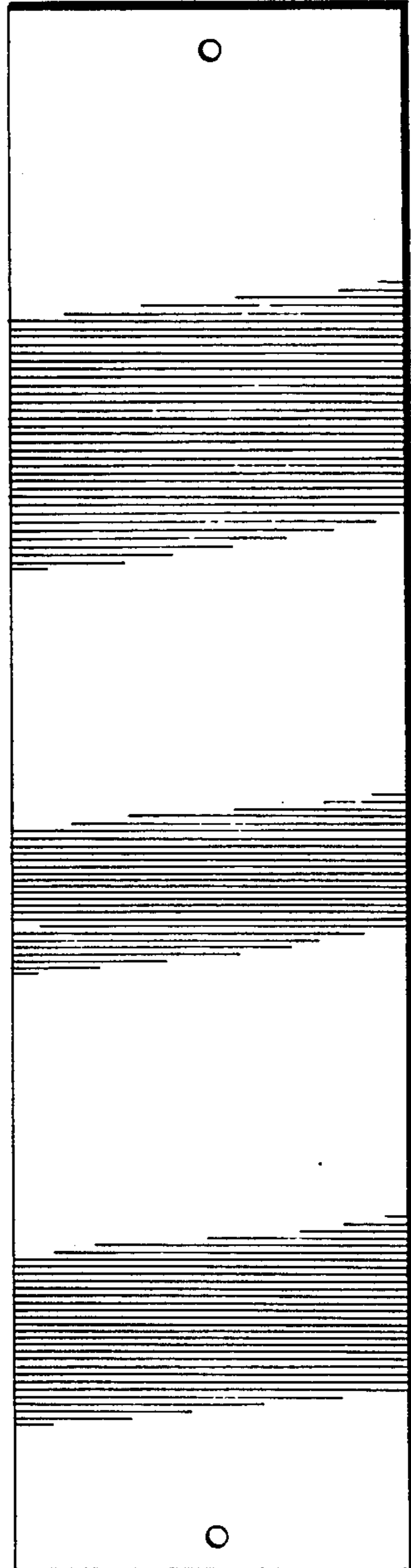


Fig. 5

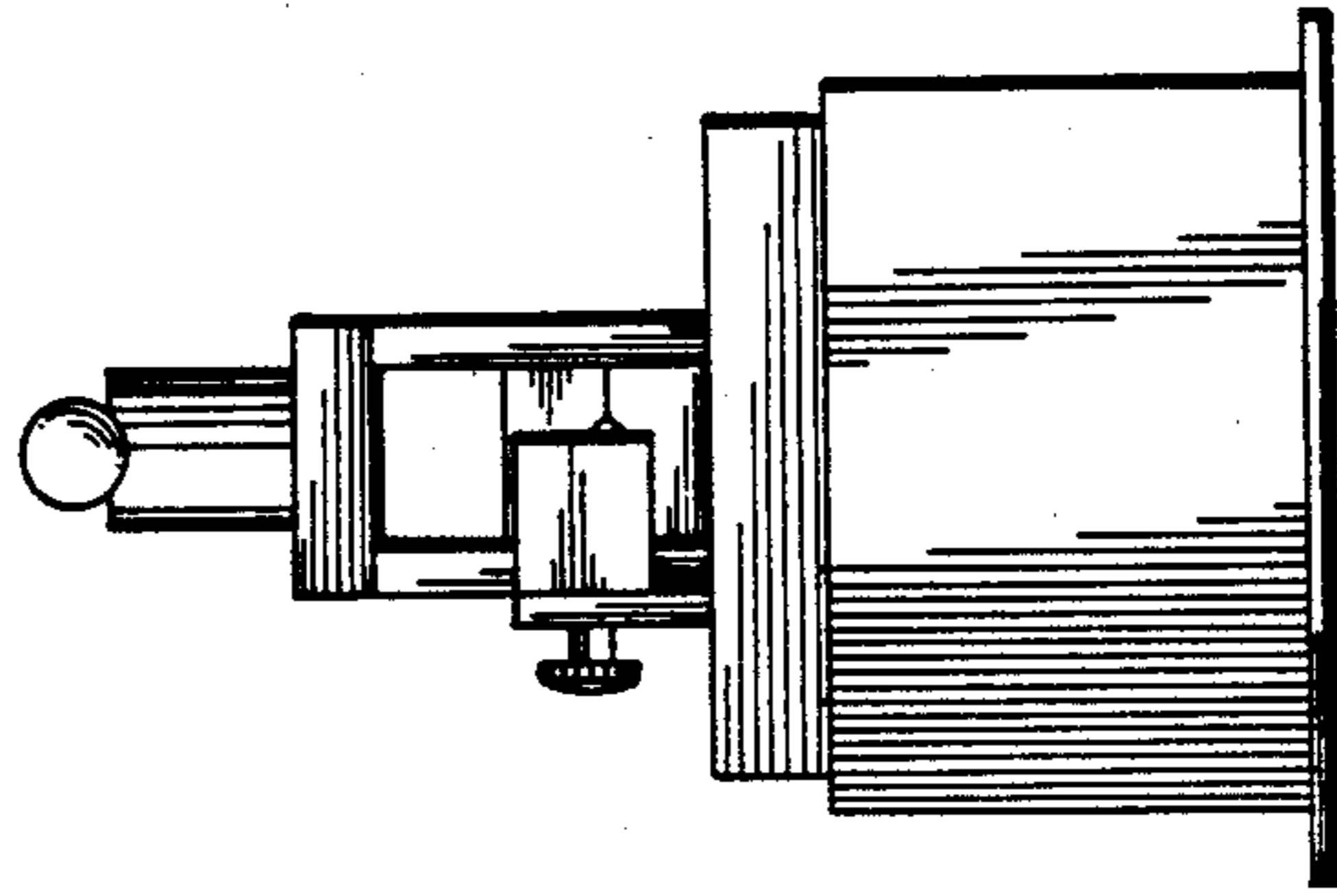


Fig. 7

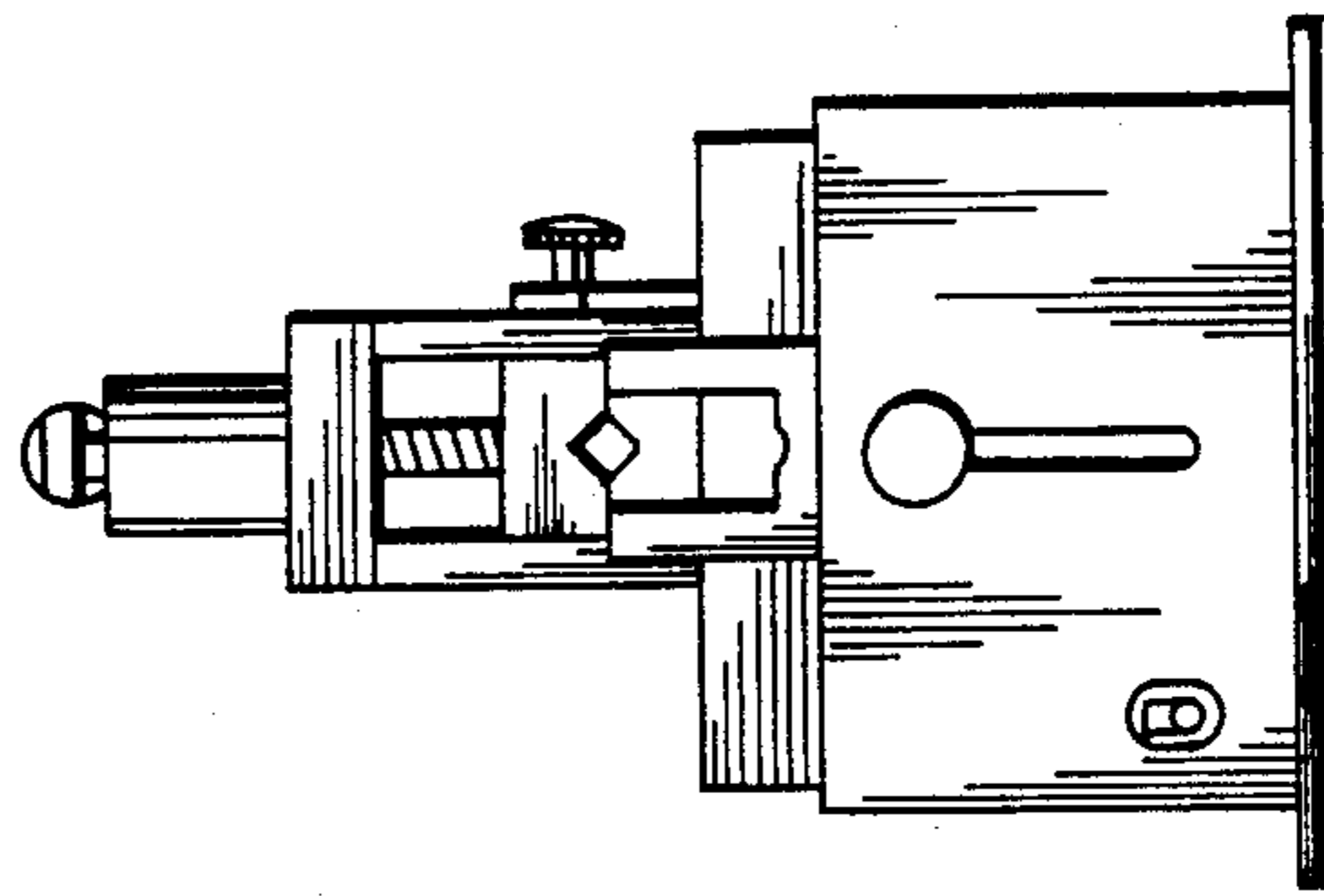


Fig. 6