

United States Patent [19]
Culver

[11] Patent Number: **Des. 294,466**

[45] Date of Patent: **** Mar. 1, 1988**

- [54] **FOOD PACKAGING TRAY**
- [75] Inventor: **Alan P. Culver, Salisbury, Md.**
- [73] Assignee: **Perdue Farms Incorporated, Salisbury, Md.**
- [**] Term: **14 Years**
- [21] Appl. No.: **738,380**
- [22] Filed: **May 28, 1985**
- [52] U.S. Cl. **D9/425**
- [58] Field of Search **D9/424, 425, 456, 431; 229/2.5, 30; D7/37, 38**

- 4,275,811 6/1981 Miller .
- 4,321,997 3/1982 Miller .
- 4,382,507 5/1983 Miller .
- 4,442,969 4/1984 Holden **D9/425 X**

Primary Examiner—Robert C. Spangler
Attorney, Agent, or Firm—Cushman, Darby & Cushman

[57] **CLAIM**

The ornamental design for a food packaging tray, as shown and described.

DESCRIPTION

FIG. 1 is a top perspective view of a food packaging tray showing my new design;
FIG. 2 is a top plan view;
FIG. 3 is a side elevational view, the opposite side being the same in appearance;
FIG. 4 is a bottom plan view;
FIG. 5 is an end elevational view, the opposite end being the same in appearance;
FIG. 6 is an enlarged sectional view taken on the line 6—6 of FIG. 2; and
FIG. 7 is an enlarged sectional view taken on the line 7—7 of FIG. 2.

- [56] **References Cited**
- U.S. PATENT DOCUMENTS**
- D. 249,233 9/1978 Florian **D9/425**
- D. 280,296 8/1985 Holden **D9/425**
- D. 280,489 9/1985 Holden **D9/425**
- 3,026,209 3/1962 Niblack .
- 3,155,303 11/1964 Fenkel .
- 3,357,625 12/1967 Malmgren **D9/425 X**
- 3,380,100 4/1968 Pharris et al. **D9/425 X**

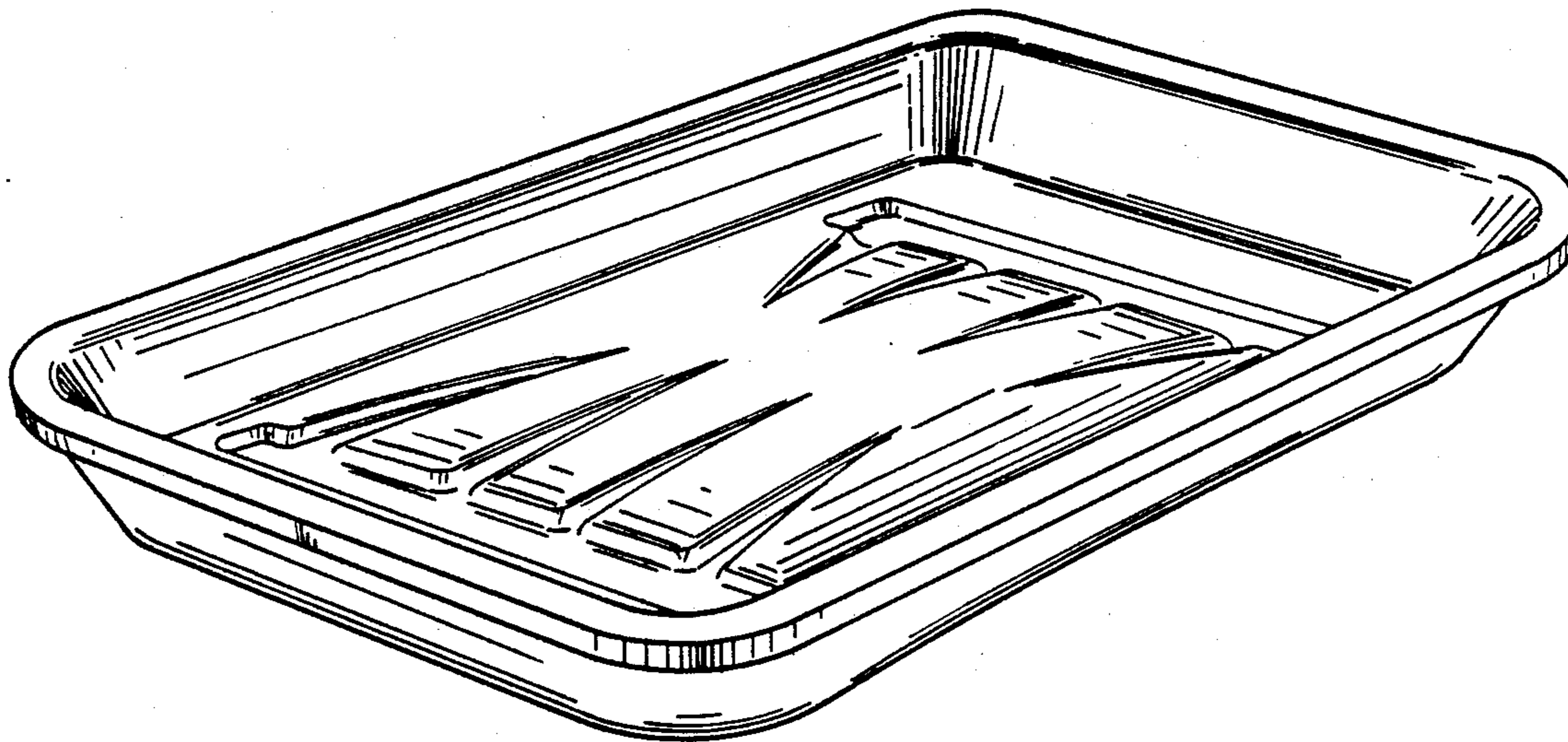
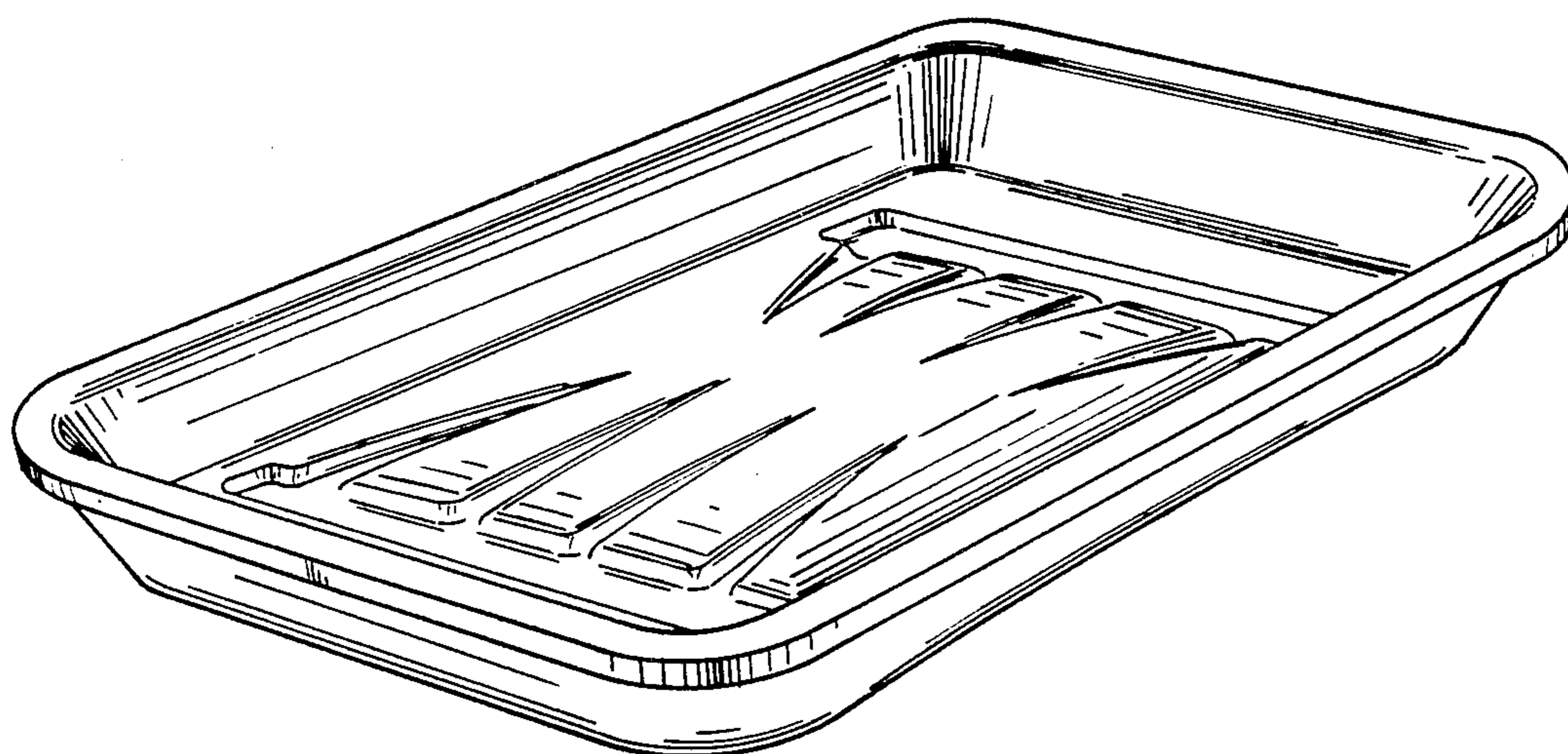


Fig. 1



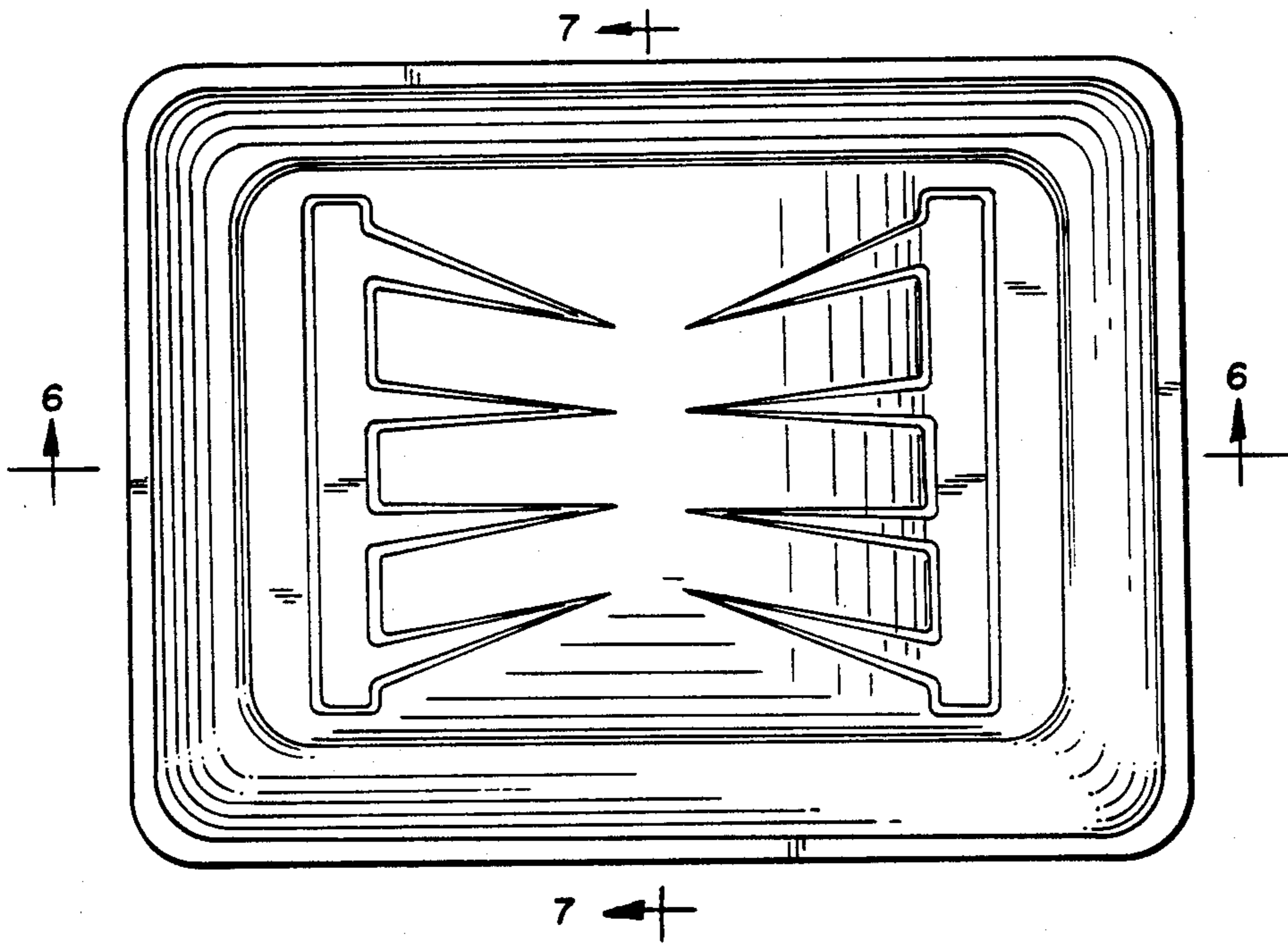


Fig. 2

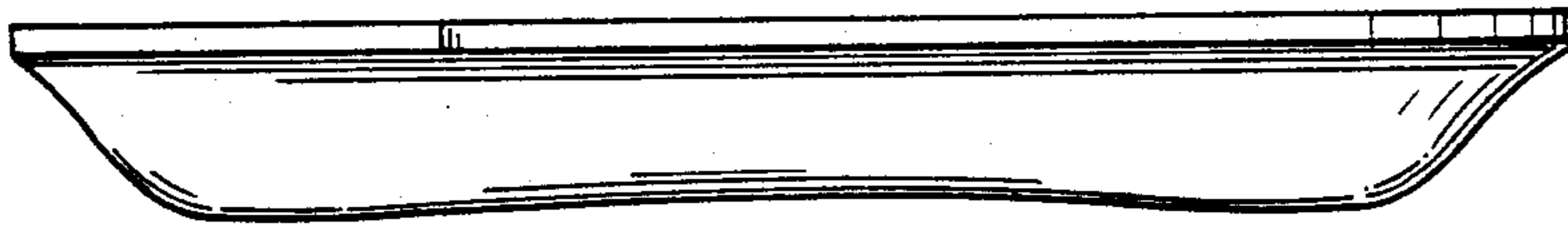


Fig. 3

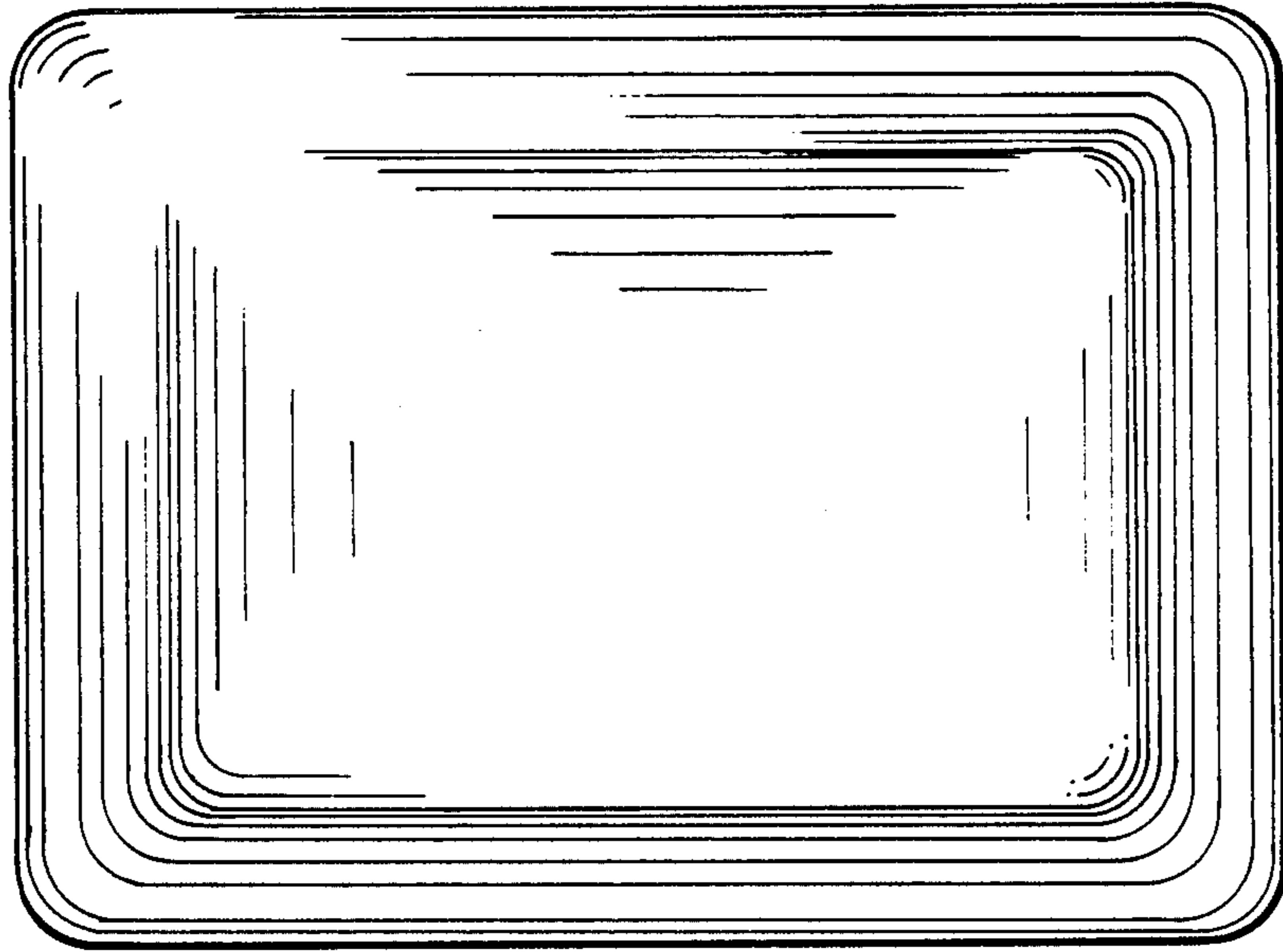


Fig. 4

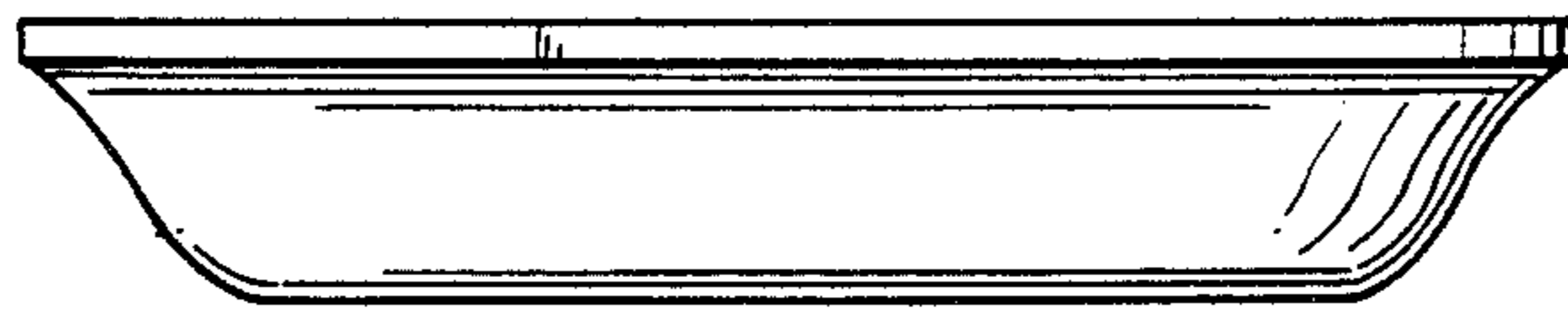


Fig. 5

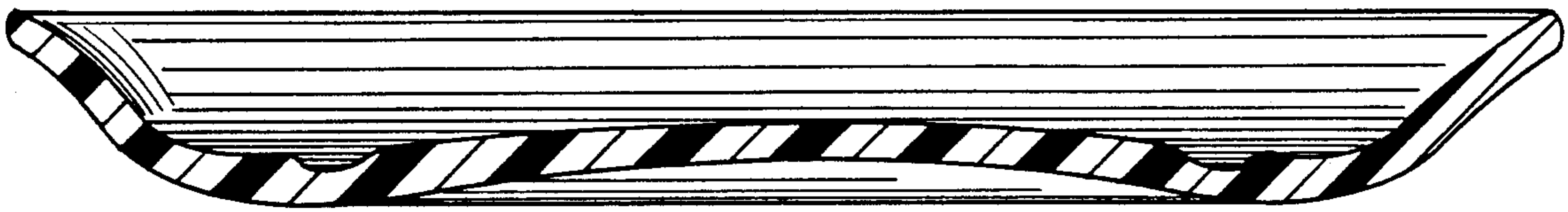


Fig. 6

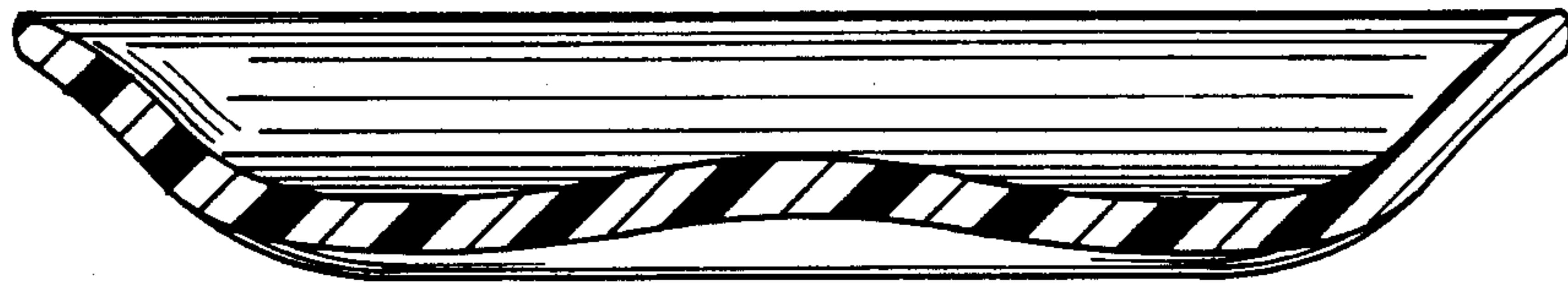


Fig. 7