

[54] PACKAGING CONTAINER FOR BALL STEM VALVE MEMBERS

D. 281,227 11/1985 Okano D9/415 X
D. 283,489 4/1986 Stevens D9/415 X
D. 290,584 6/1987 Lotterer D9/415 X

[75] Inventor: Charles P. Hill, Indianapolis, Ind.

Primary Examiner—Robert C. Spangler
Attorney, Agent, or Firm—Steven L. Permut; Malcolm L. Sutherland; Leon E. Redman

[73] Assignee: Masco Corporation of Indiana, Taylor, Mich.

[**] Term: 14 Years

[57] CLAIM

[21] Appl. No.: 754,601

The ornamental design for a packaging container for ball stem valve members, as shown.

[22] Filed: Jul. 12, 1985

[52] U.S. Cl. D9/415

[58] Field of Search 206/463, 461, 460, 462;
D9/415, 341, 348, 337

DESCRIPTION

[56] References Cited

U.S. PATENT DOCUMENTS

D. 272,129 1/1984 Levine D9/415
D. 275,370 9/1984 Smyth et al. D9/415

FIG. 1 is a front elevational view of a packaging container for ball stem valve members showing my new design;

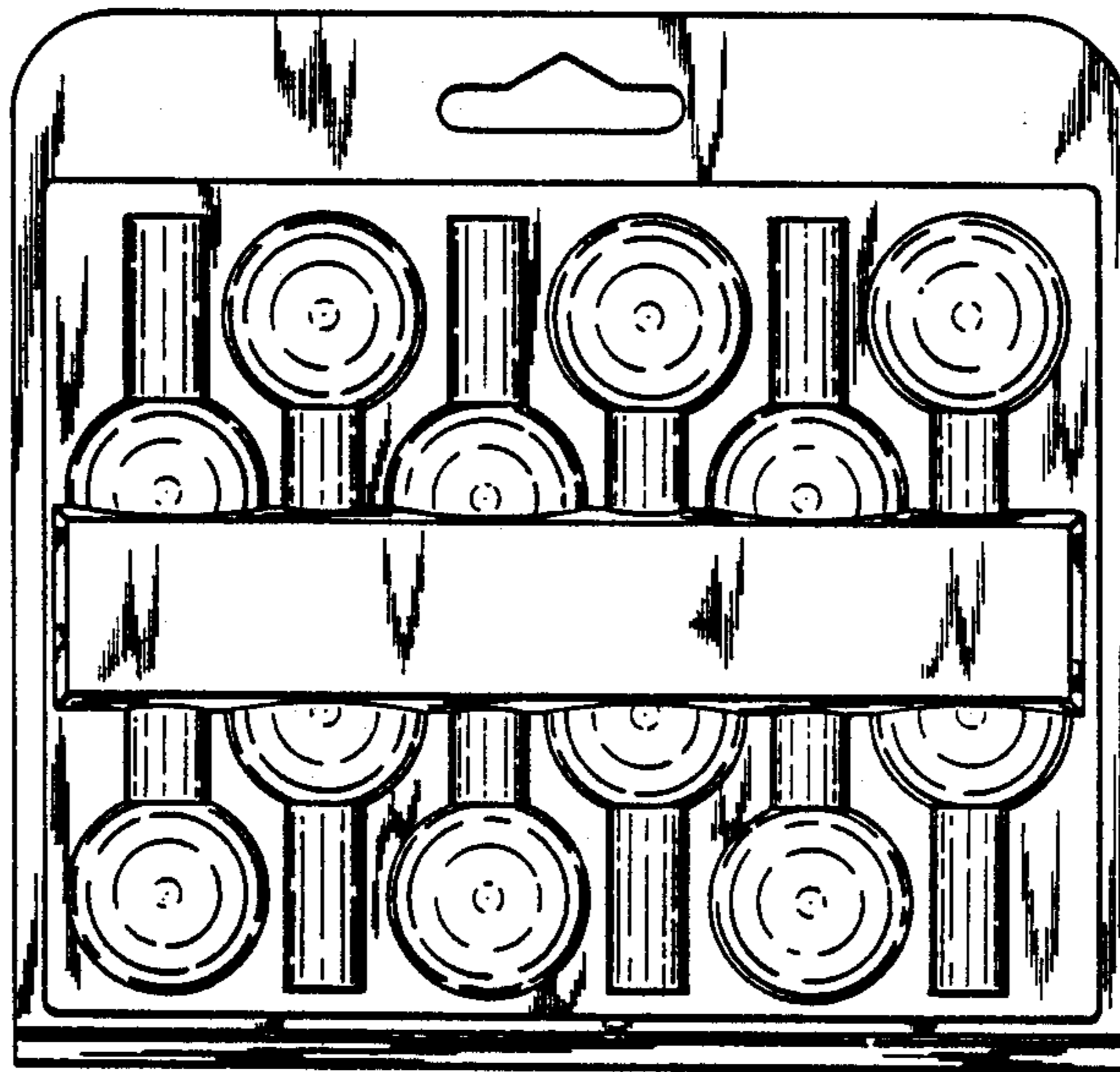
FIG. 2 is a top plan view;

FIG. 3 is a bottom plan view;

FIG. 4 is a left side elevational view;

FIG. 5 is a right side elevational view; and

FIG. 6 is a rear elevational view thereof.



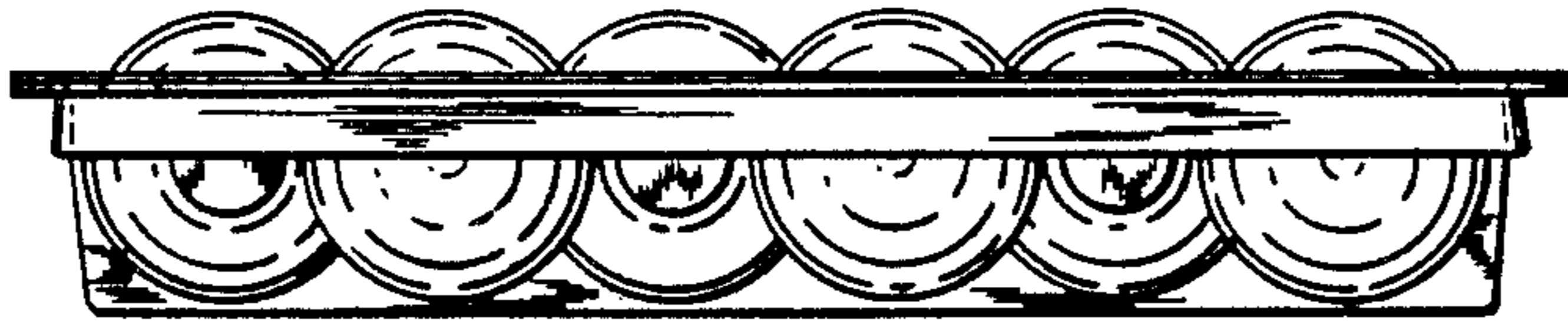


FIG. 2.

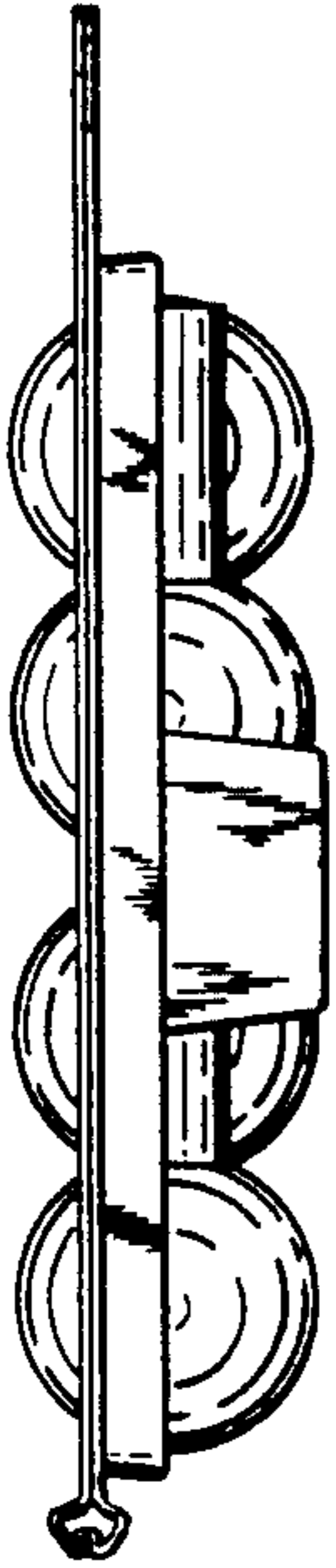


FIG. 4.

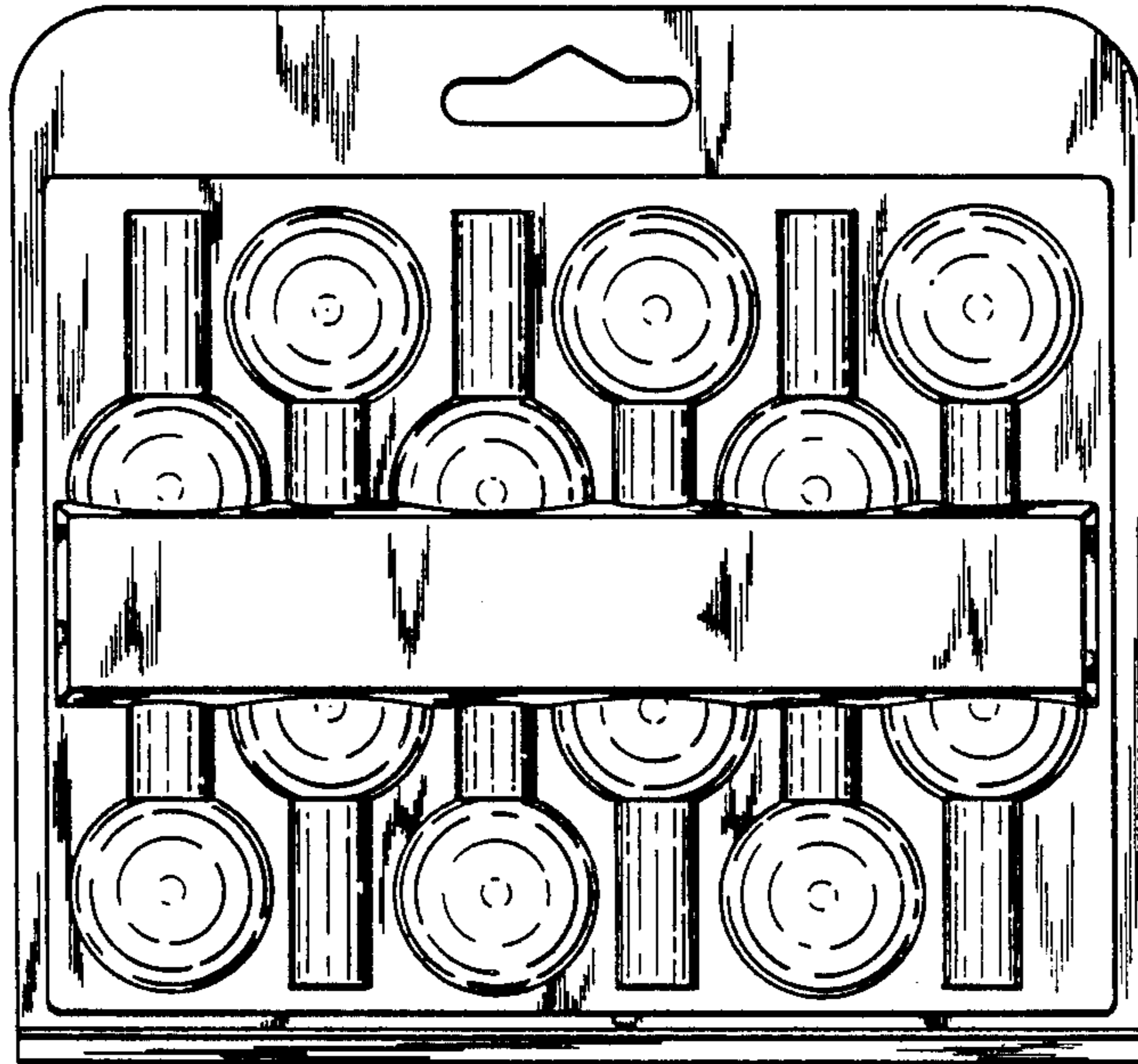


FIG. 1.

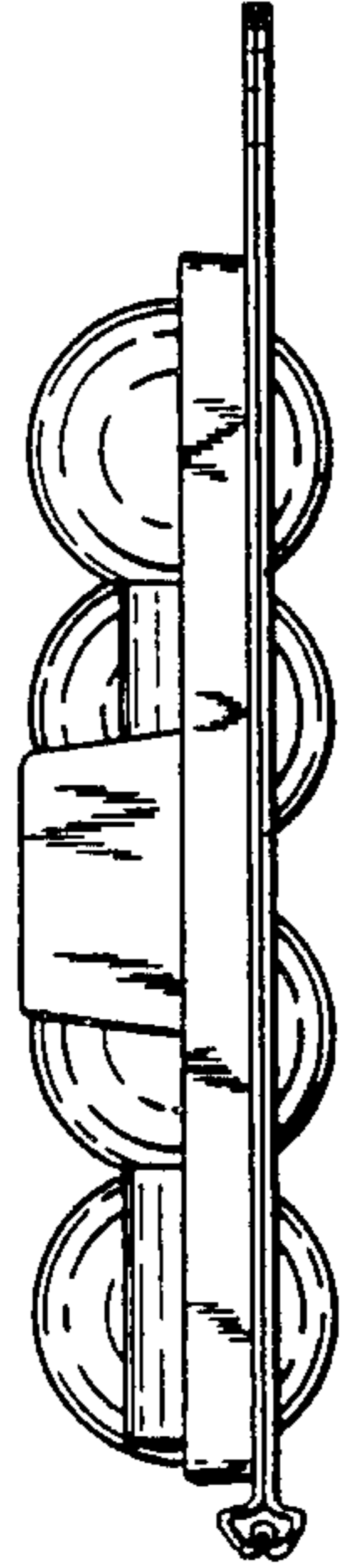


FIG. 5.



FIG. 3.

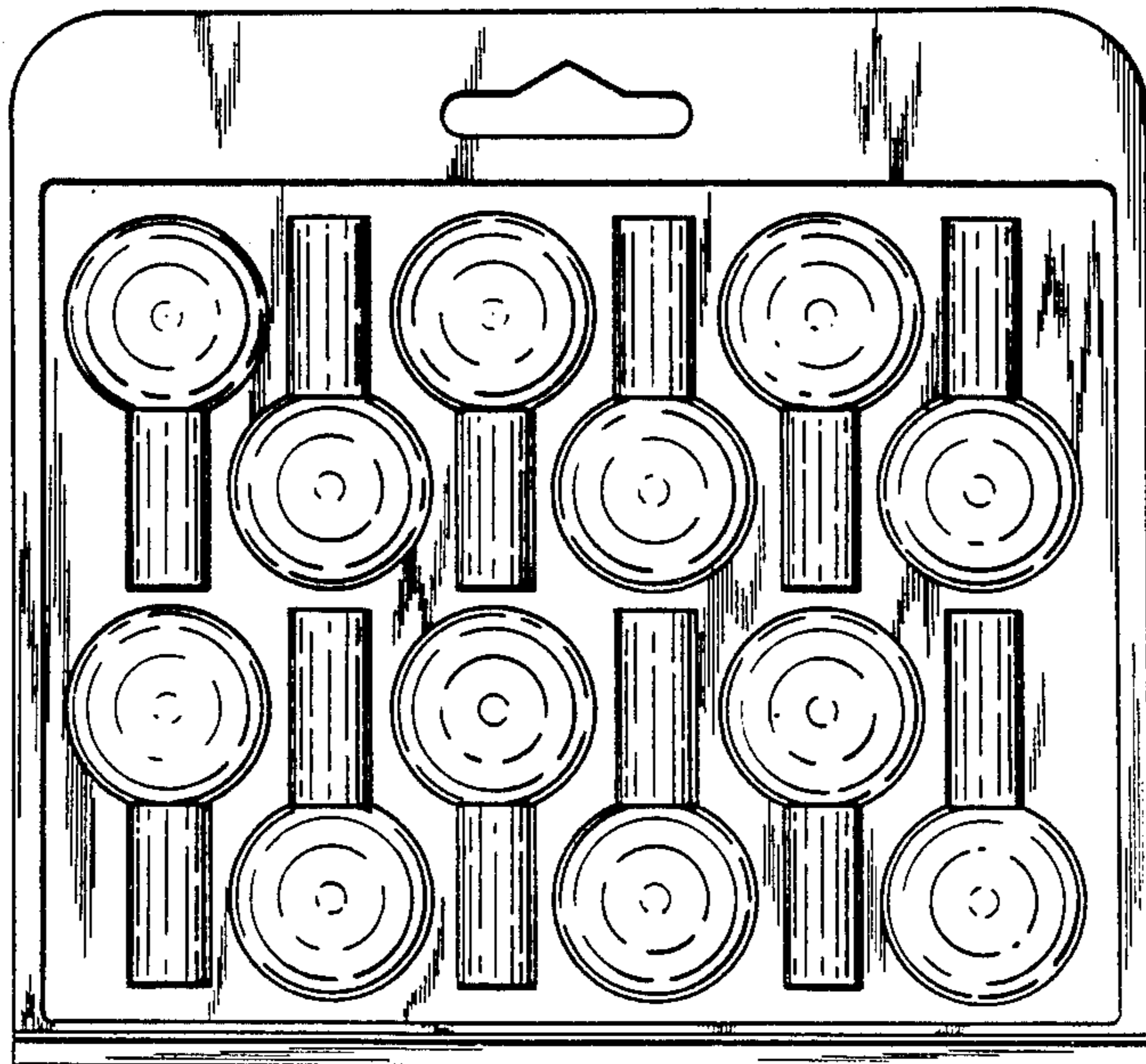


FIG. 6.