

[54] COMBINED SUPPORT AND ANCHORING BASE FOR A COSMETIC PREPARATION

[75] Inventors: James M. Wilmott, Kinnelon, N.J.; Alexander P. Znaiden, Sloatsburg, N.Y.

[73] Assignee: Avon Products, Inc., New York, N.Y.

[**] Term: 14 Years

[21] Appl. No.: 708,302

[22] Filed: Mar. 5, 1985

[52] U.S. Cl. D9/337

[58] Field of Search D9/434-499, D9/436, 337; D6/337, 536, 540, 552; D28/8.1, 4; 248/146, 346, 152

[56] References Cited

U.S. PATENT DOCUMENTS

- D. 215,417 9/1969 MacDonald D9/434
- D. 263,885 4/1982 Blaszkowski D28/8.1
- 1,830,085 11/1931 Bodenstein, Jr. et al. 248/346 X

- 1,881,428 10/1932 Finch 248/346 X
- 1,961,342 6/1934 Reamer 248/346
- 2,466,875 4/1949 Brandt 248/346 X
- 2,517,248 8/1950 Semeyn 248/146 X
- 2,910,219 10/1959 Bennett et al. 248/346 X
- 3,298,642 1/1967 Taylor 248/346 X

Primary Examiner—Robert C. Spangler
Attorney, Agent, or Firm—S. Michael Bender

[57] CLAIM

The ornamental design for a combined support and anchoring base for a cosmetic preparation, as shown and described.

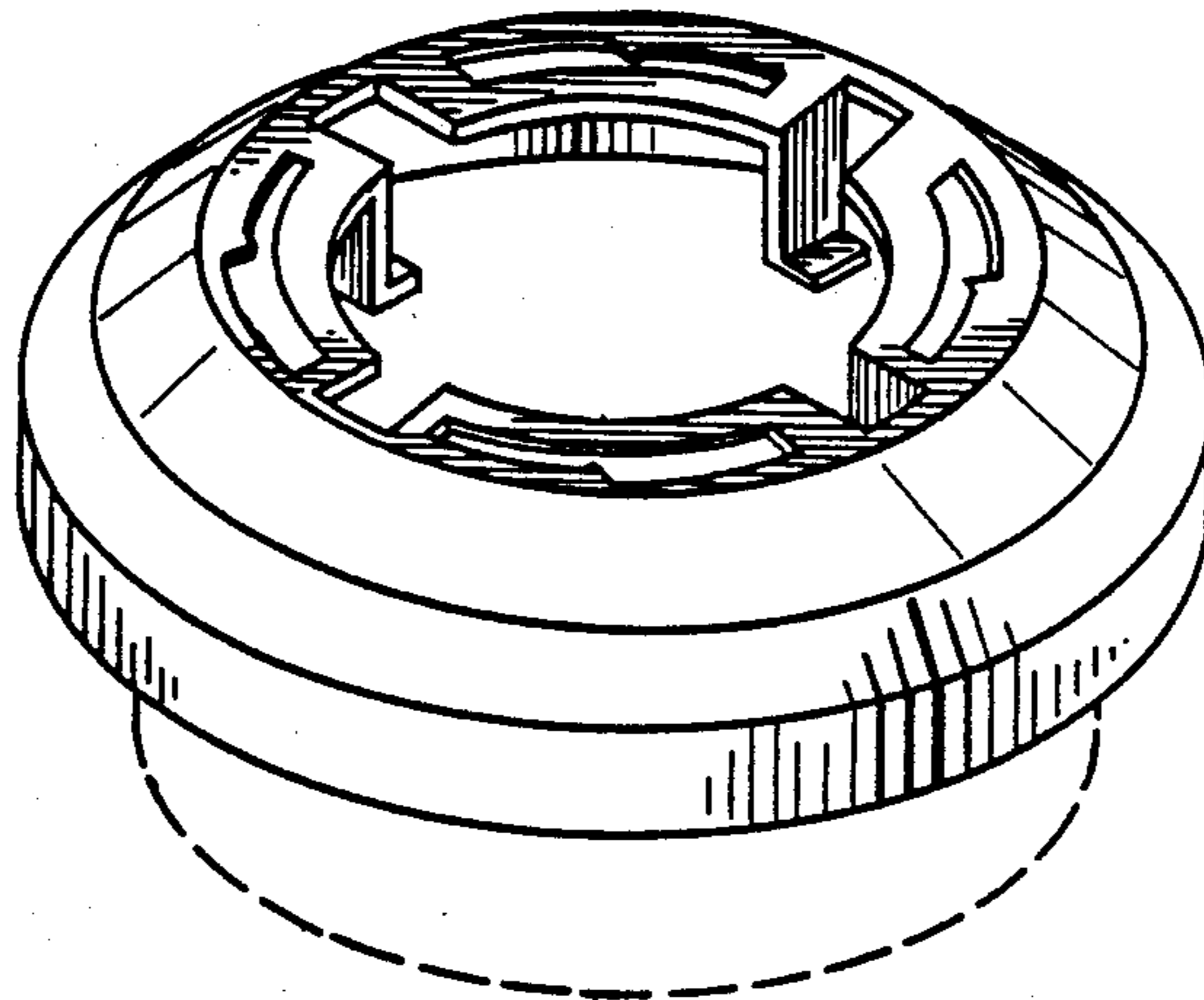
DESCRIPTION

FIG. 1 is a top perspective view of a combined support and anchoring base for a cosmetic preparation, showing our new design, the broken lines indicating a solid moisturizing preparation are shown for illustrative purposes only;

FIG. 2 is a top plan view thereof;

FIG. 3 is a bottom plan view thereof; and

FIG. 4 is a side elevational view thereof.



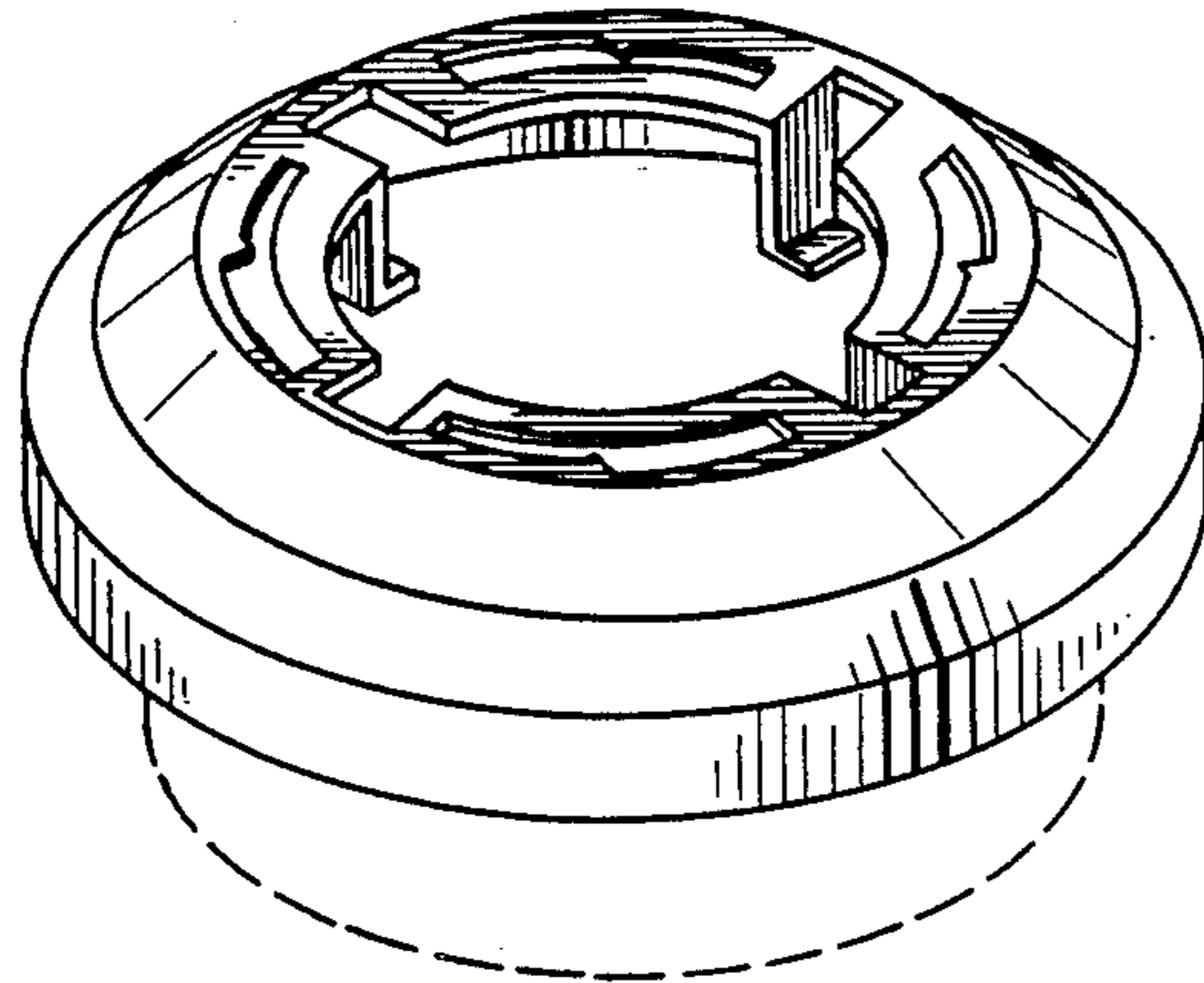


FIG. 1

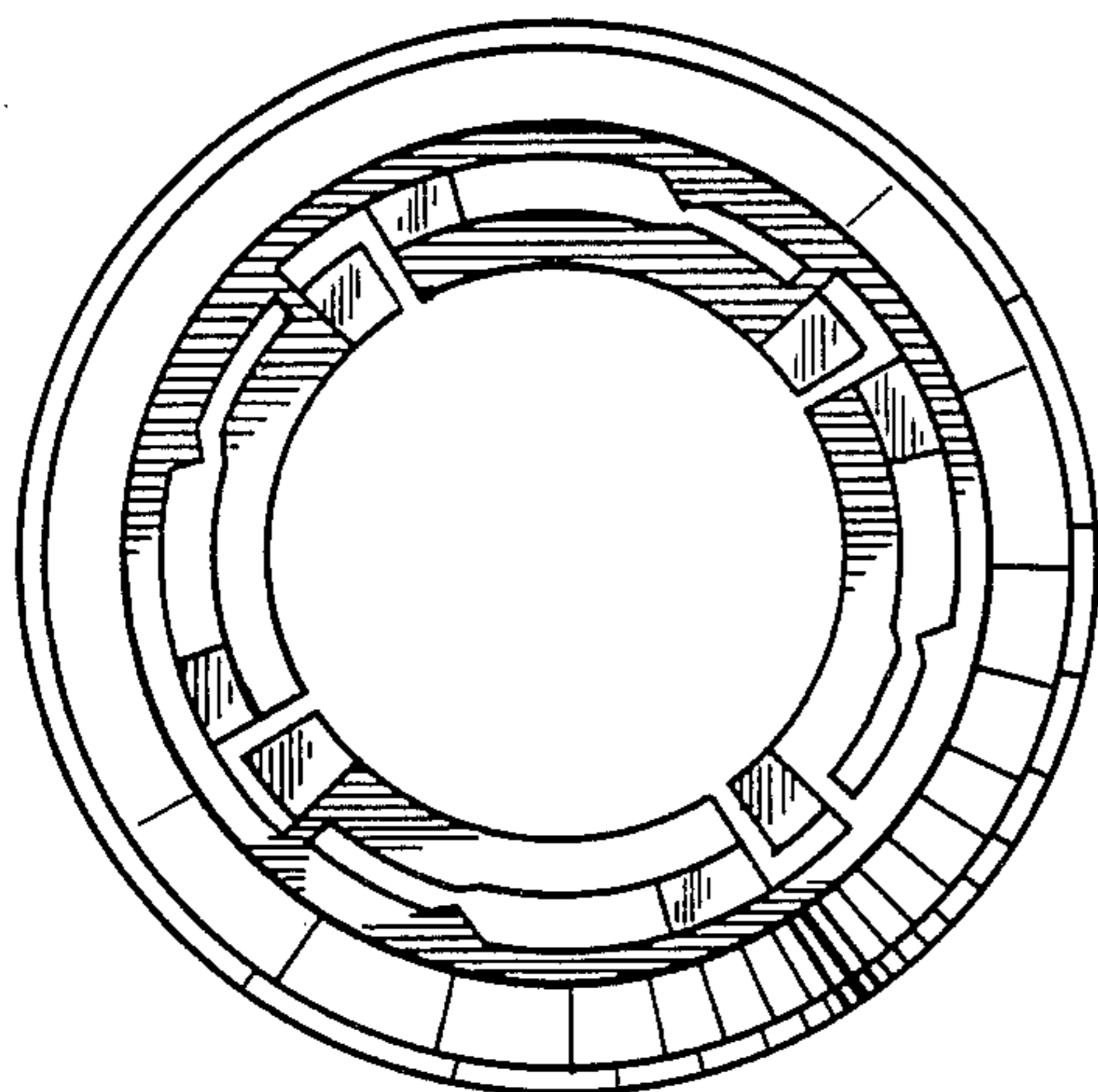


FIG. 2

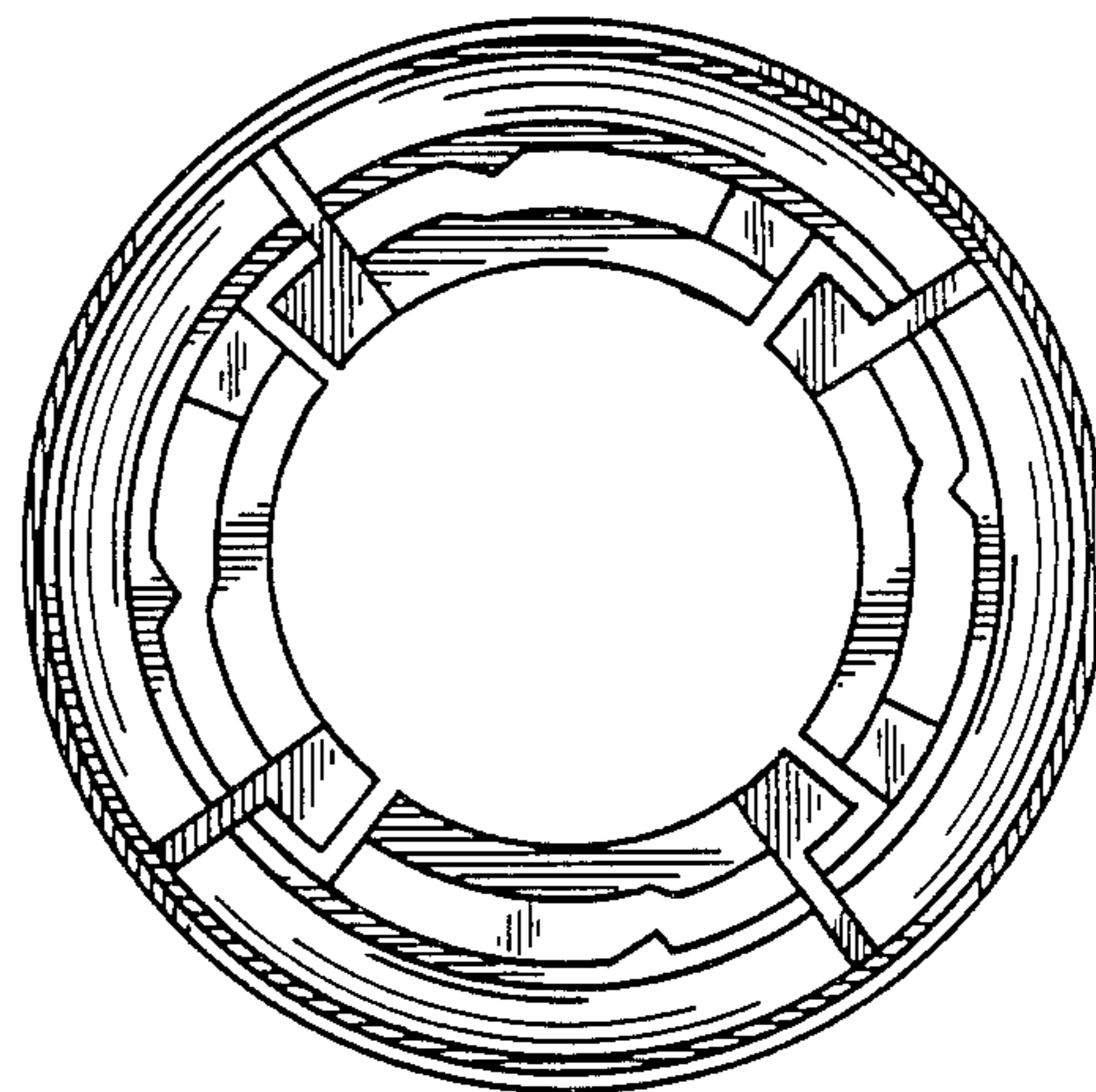


FIG. 3

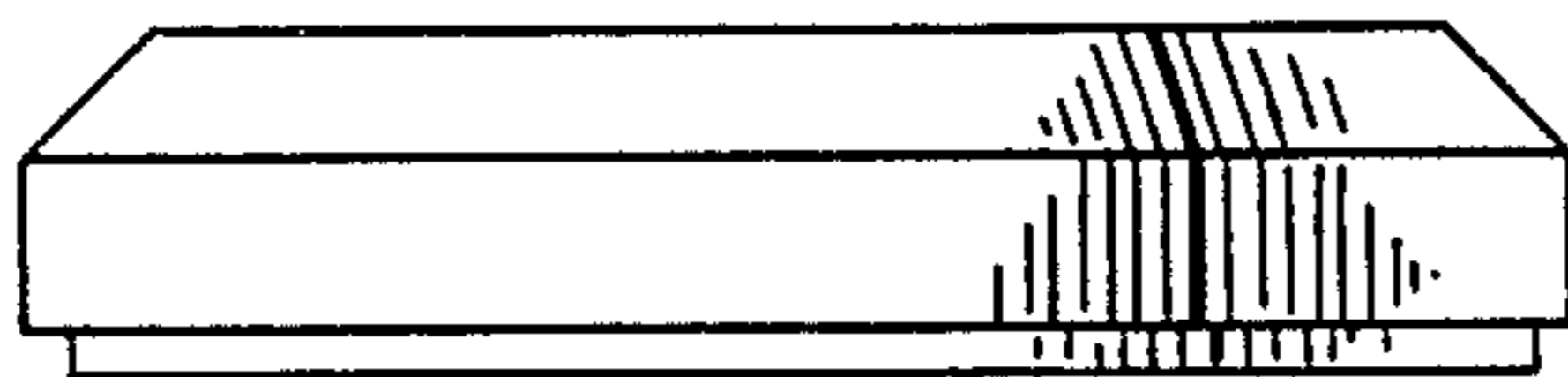


FIG. 4