

[54] MINIATURE LIGHT WALL MOUNT BRACKET

[76] Inventors: Willard C. Doty, 3049 Bronson Dr.; Michael T. Hegland, 7604 Spring Lake Rd., both of Mounds View, Minn. 55432

[**] Term: 14 Years

[21] Appl. No.: 793,113

[22] Filed: Oct. 30, 1985

[52] U.S. CL D8/373; D8/396; D8/395

[58] Field of Search D8/373, 393, 394, 395, D8/397; D6/552, 558, 545, 526, 513, 567, 569; 51/689, 513; 248/313, 316.1, 312, 309.2

[56] References Cited

U.S. PATENT DOCUMENTS

D. 24,008	2/1895	Field	D8/373
D. 175,455	8/1955	Bartleman	D8/376 X
D. 188,824	9/1910	Bush	D8/373
D. 212,505	10/1968	Guerrero	D8/396
D. 227,743	7/1973	Keegan	D8/396
D. 248,347	7/1978	McCollum	D6/552
D. 279,959	8/1985	Nimmo et al.	D8/396

D. 283,076	3/1986	States, Jr.	D8/373 X
D. 289,732	5/1987	Jason	D8/396 X
1,625,248	4/1927	Eckstein	439/574
2,409,253	10/1946	Chris	248/313
2,453,695	11/1948	Belling	240/10
2,782,296	2/1957	Walter	240/10
3,321,730	5/1967	Schlangen	339/12
3,340,390	9/1967	Imre	240/10
3,540,687	11/1970	Cuva	248/316
3,700,879	10/1972	Franc	240/10 R
3,768,634	10/1973	Creevy	248/313 X
4,188,658	2/1980	Aron	362/396
4,491,902	1/1985	Cangelosi	362/389

Primary Examiner—James M. Gandy
Assistant Examiner—Horace B. Fay, Jr.
Attorney, Agent, or Firm—Kinney & Lange

[57] CLAIM

The ornamental design for a miniature light wall mount bracket, as shown and described.

DESCRIPTION

FIG. 1 is a perspective view of a miniature light wall mount bracket showing our new design; FIG. 2 is a top plan view thereof; FIG. 3 is a front elevational view thereof; FIG. 4 is a right side elevational view thereof; and FIG. 5 is a rear elevational view thereof.

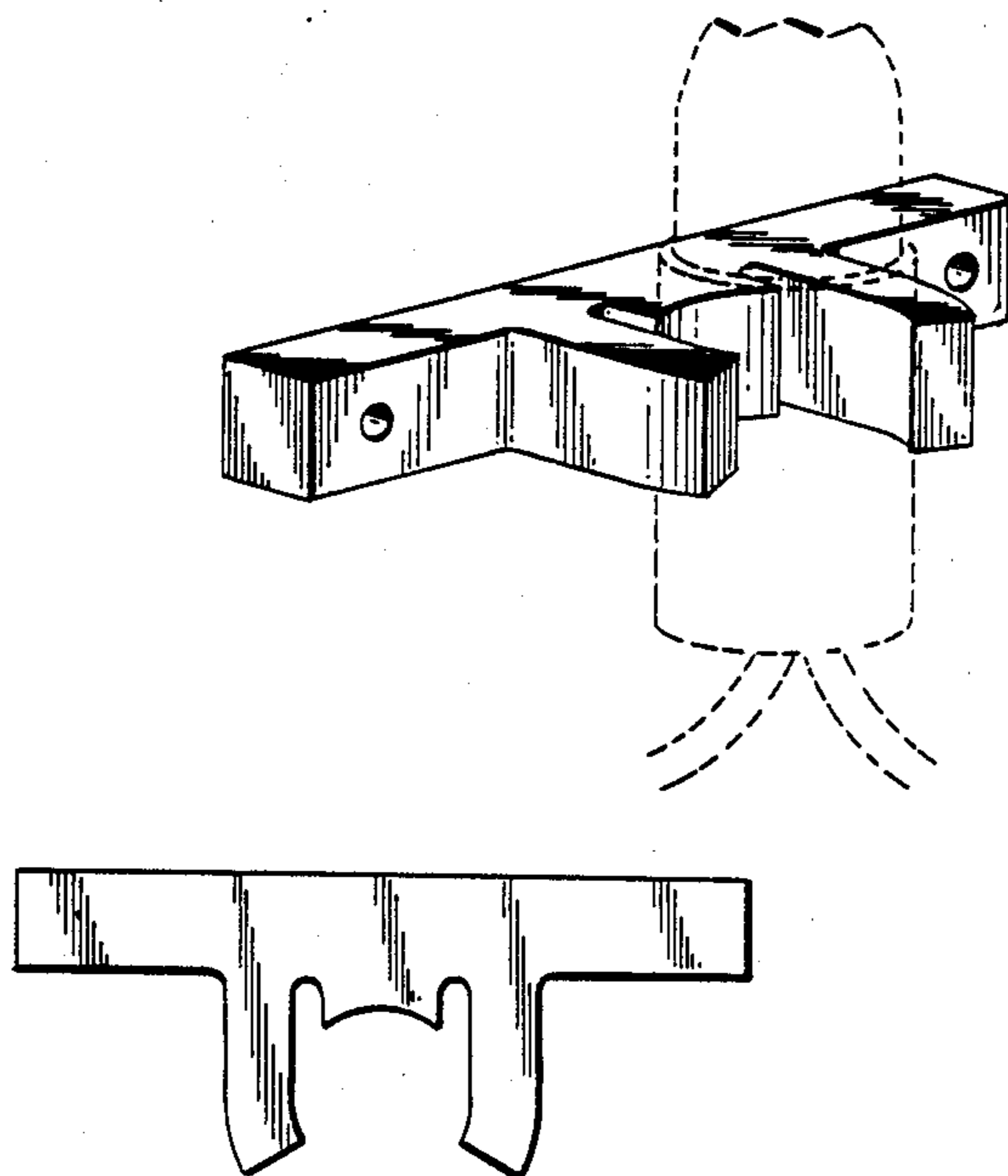


Fig.1

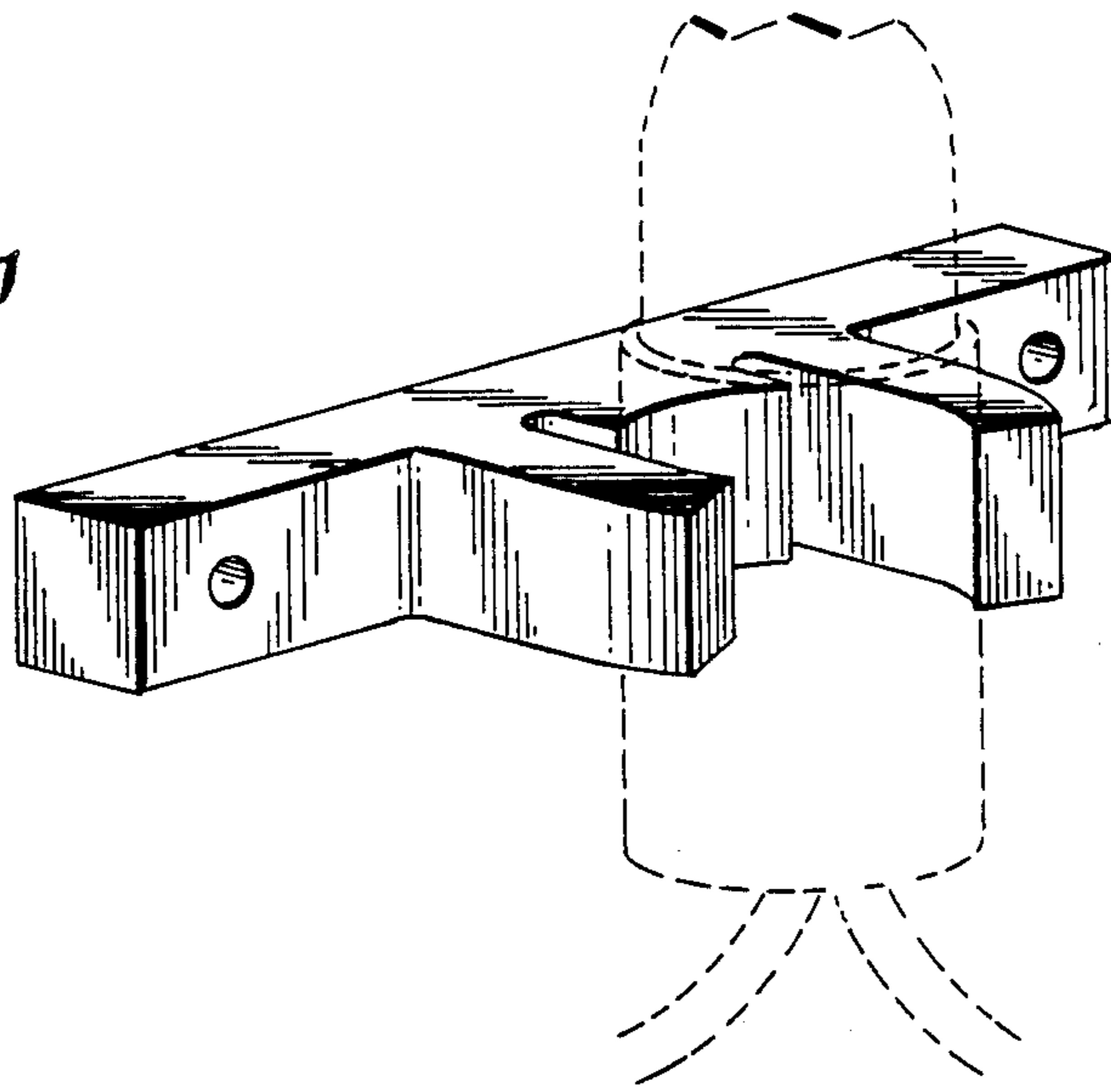


Fig.2

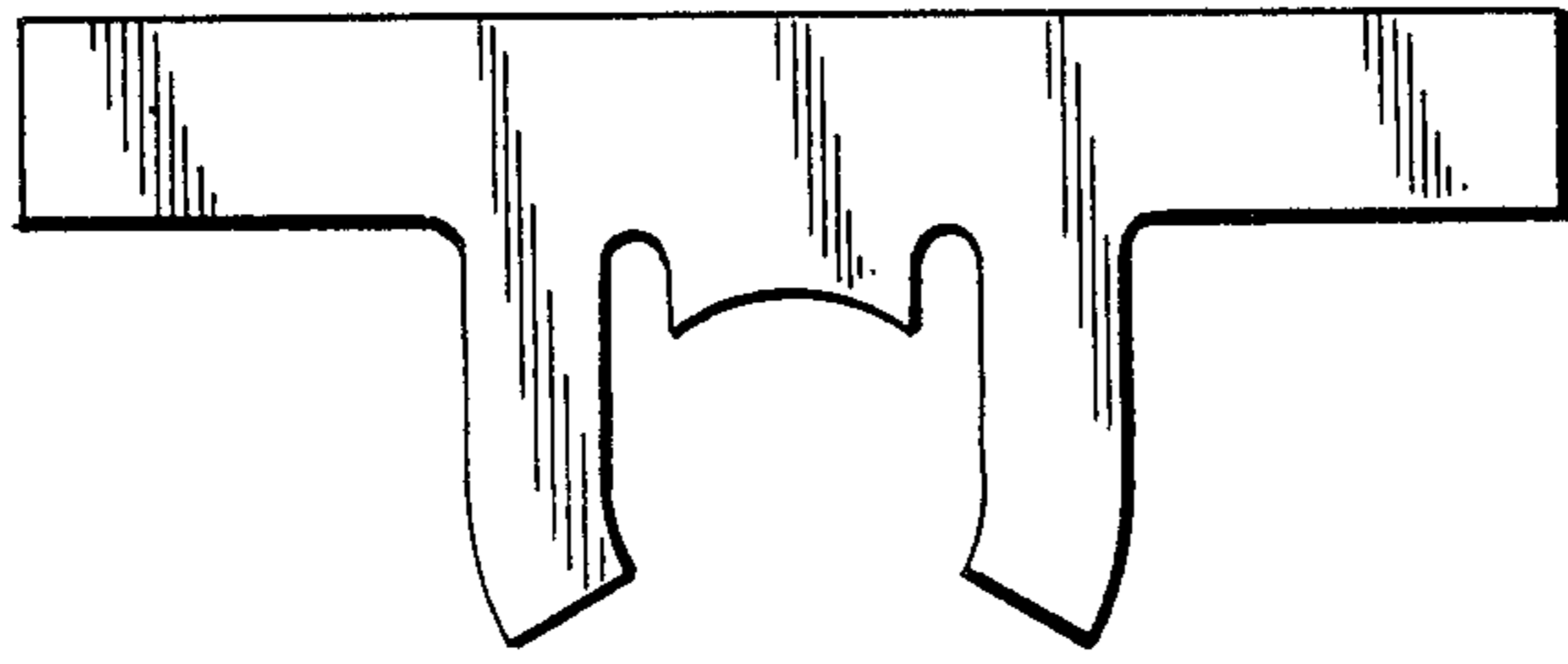


Fig.3



Fig.4

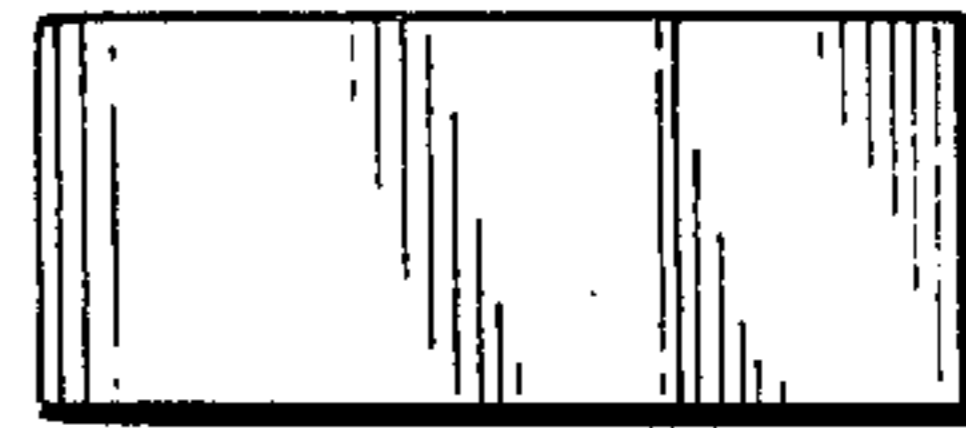


Fig.5

