

[54] CADDY HOSE REEL

[75] Inventor: Terry N. Nelson, Shoreview, Minn.

[73] Assignee: Specialty Manufacturing Company, St. Paul, Minn.

[\*\*] Term: 14 Years

[21] Appl. No.: 681,941

[22] Filed: Dec. 14, 1984

[52] U.S. Cl. .... D8/359

[58] Field of Search ..... D8/358, 359; D34/24; D22/137; 137/355.22, 355.26, 355.27; 242/86, 106, 86.2, 56, 86.5 R

4,605,237 8/1986 Torgrinson ..... 242/86.5 R

FOREIGN PATENT DOCUMENTS

249271	12/1962	Australia	.....	242/86.2
2507584	12/1982	France	.....	242/86.2
918237	9/1954	Fed. Rep. of Germany	.....	242/86.2
3041717	6/1981	Fed. Rep. of Germany	.....	242/86
331238	6/1930	United Kingdom	.....	137/355.26
519498	3/1940	United Kingdom	.....	242/86.2
901606	7/1962	United Kingdom	.....	242/86
1390920	4/1975	United Kingdom	.....	127/355.26

Primary Examiner—James M. Gandy  
Assistant Examiner—Horace B. Fay, Jr.  
Attorney, Agent, or Firm—Dorsey & Whitney

[56] References Cited

U.S. PATENT DOCUMENTS

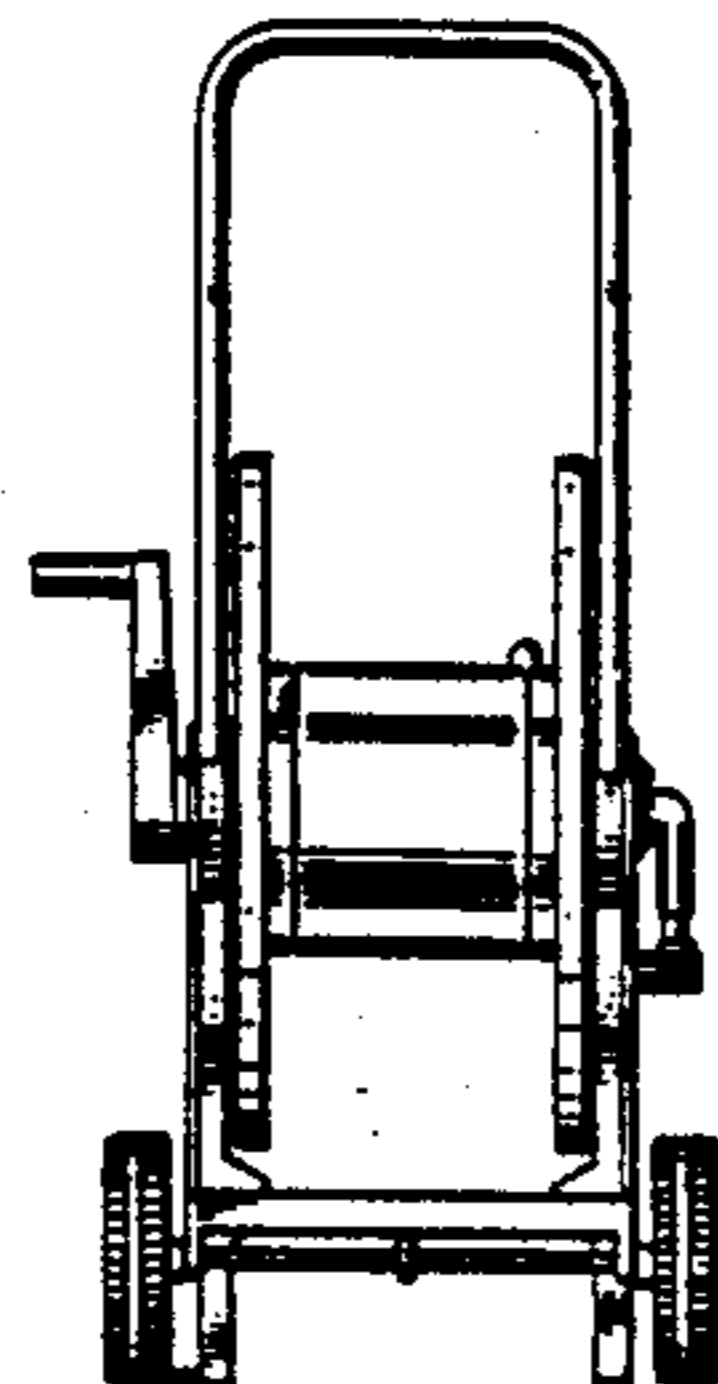
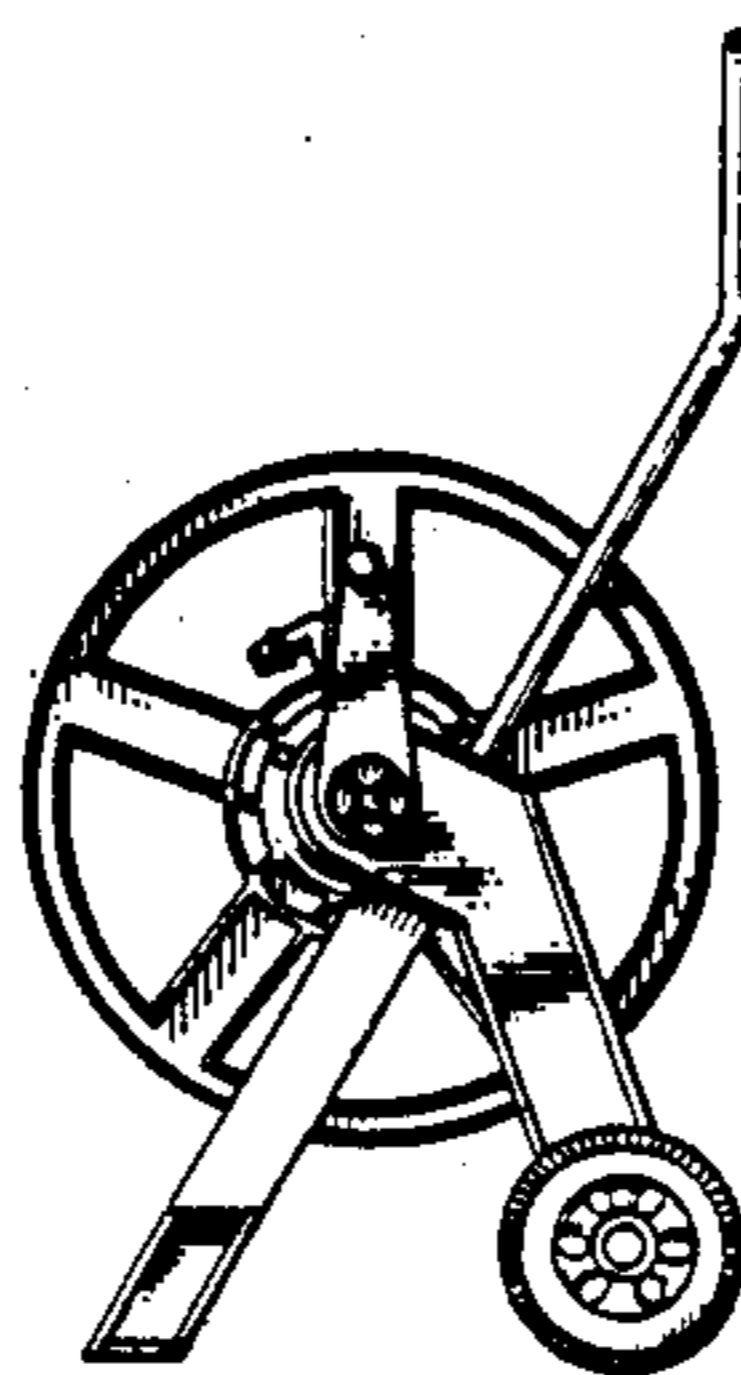
D. 152,217	12/1948	Rehm	.....	D34/24
D. 164,546	9/1951	Becker	.....	D8/359
D. 201,088	5/1965	Derrickson	.....	D34/24
D. 233,411	10/1974	Geisler	.....	D8/359
D. 238,749	2/1976	Back et al.	.....	D8/359
D. 240,192	6/1976	Bahner, Jr.	.....	D8/358
1,583,868	5/1926	Berger	.....	242/86.2
2,155,769	4/1939	Porter	.....	242/86.5 R
2,481,224	9/1947	Joswick	.....	242/86.2
2,512,756	6/1950	Wasserman	.....	242/86.2

[57] CLAIM

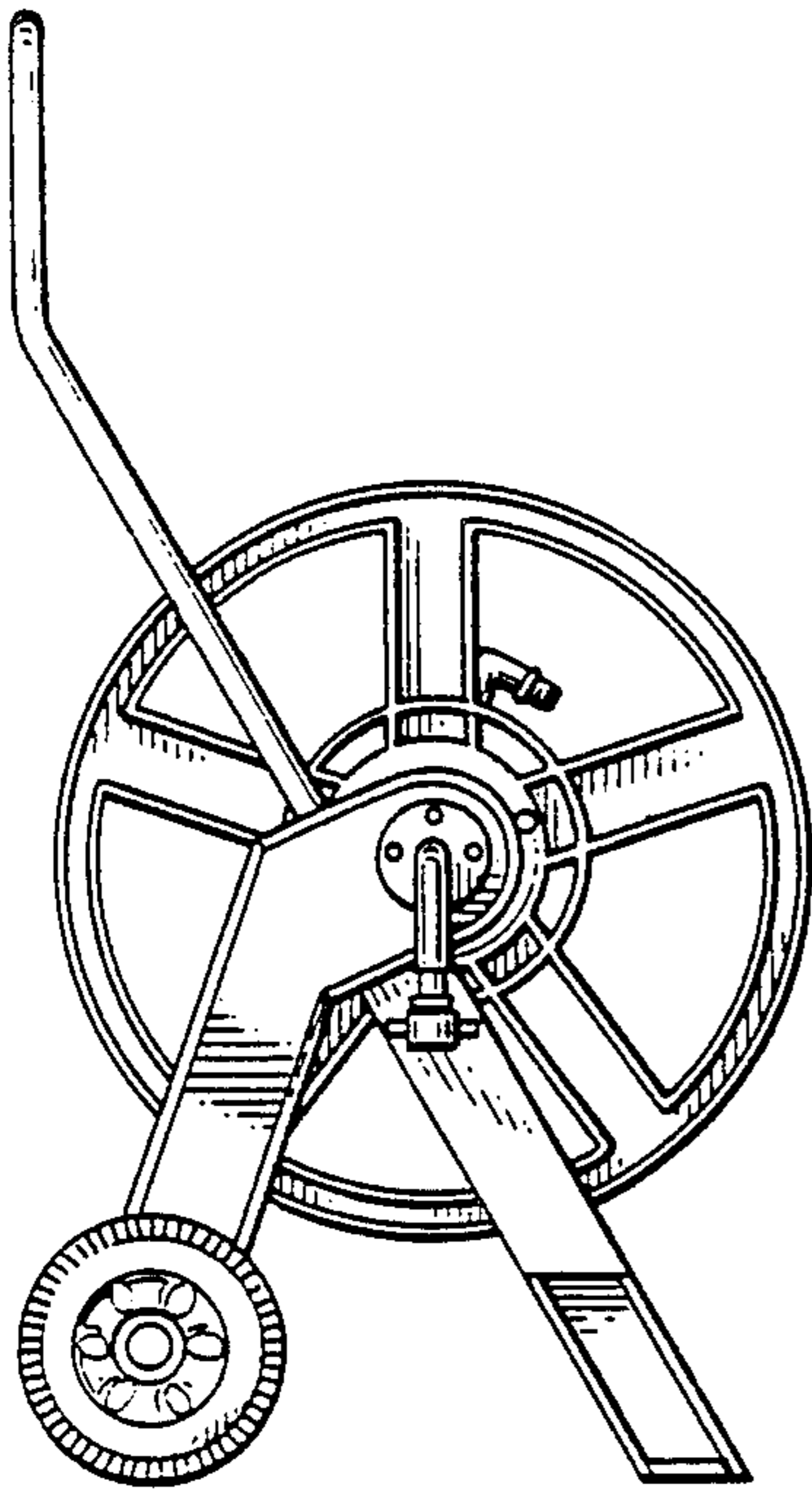
The ornamental design for a caddy hose reel, as shown and described.

DESCRIPTION

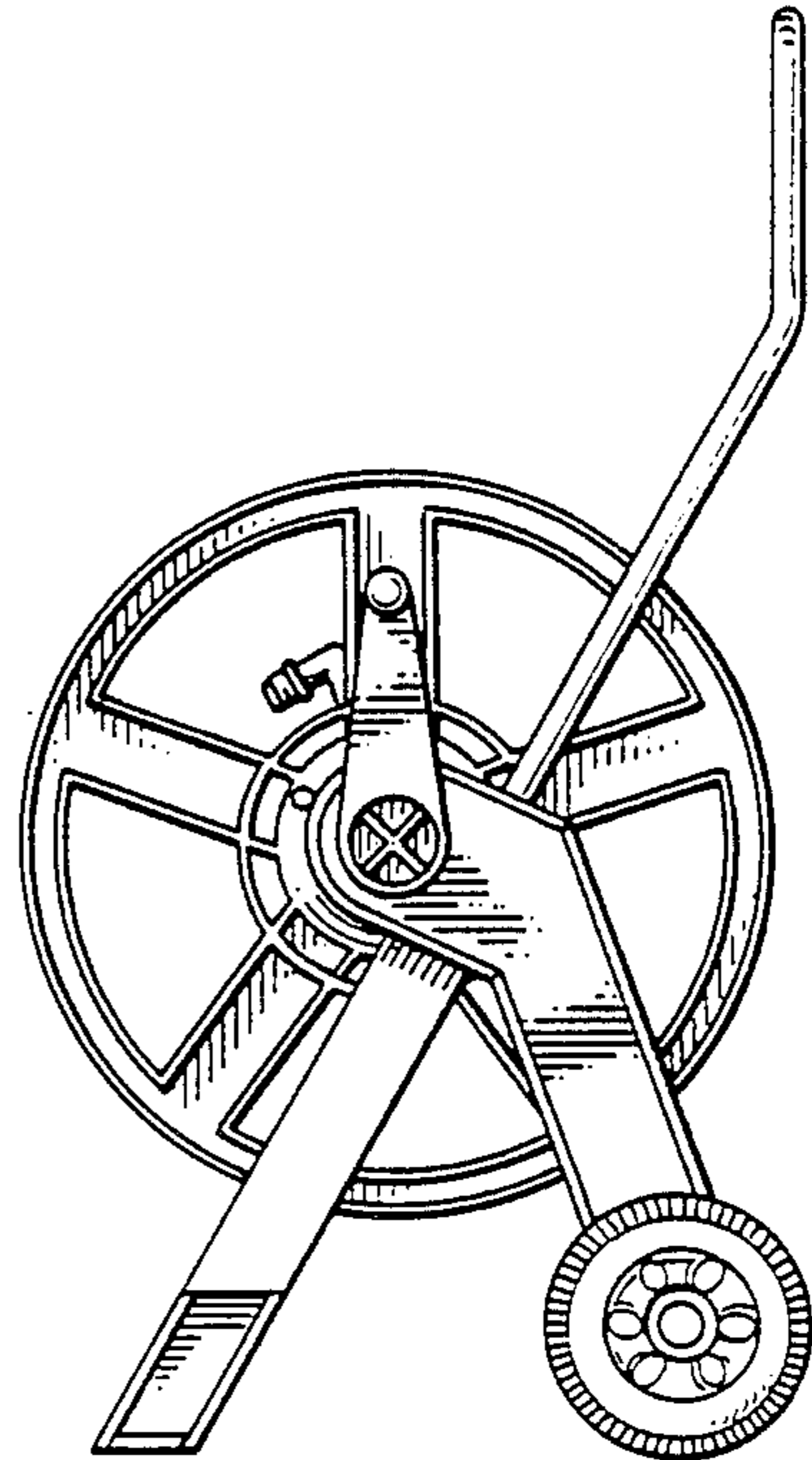
FIGS. 1 and 2 are respectively right and left side elevational views of a caddy hose reel, showing my new design;  
FIGS. 3 and 4 are respectively front and rear elevational views thereof; and,  
FIGS. 5 and 6 are respectively top and bottom plan views thereof.



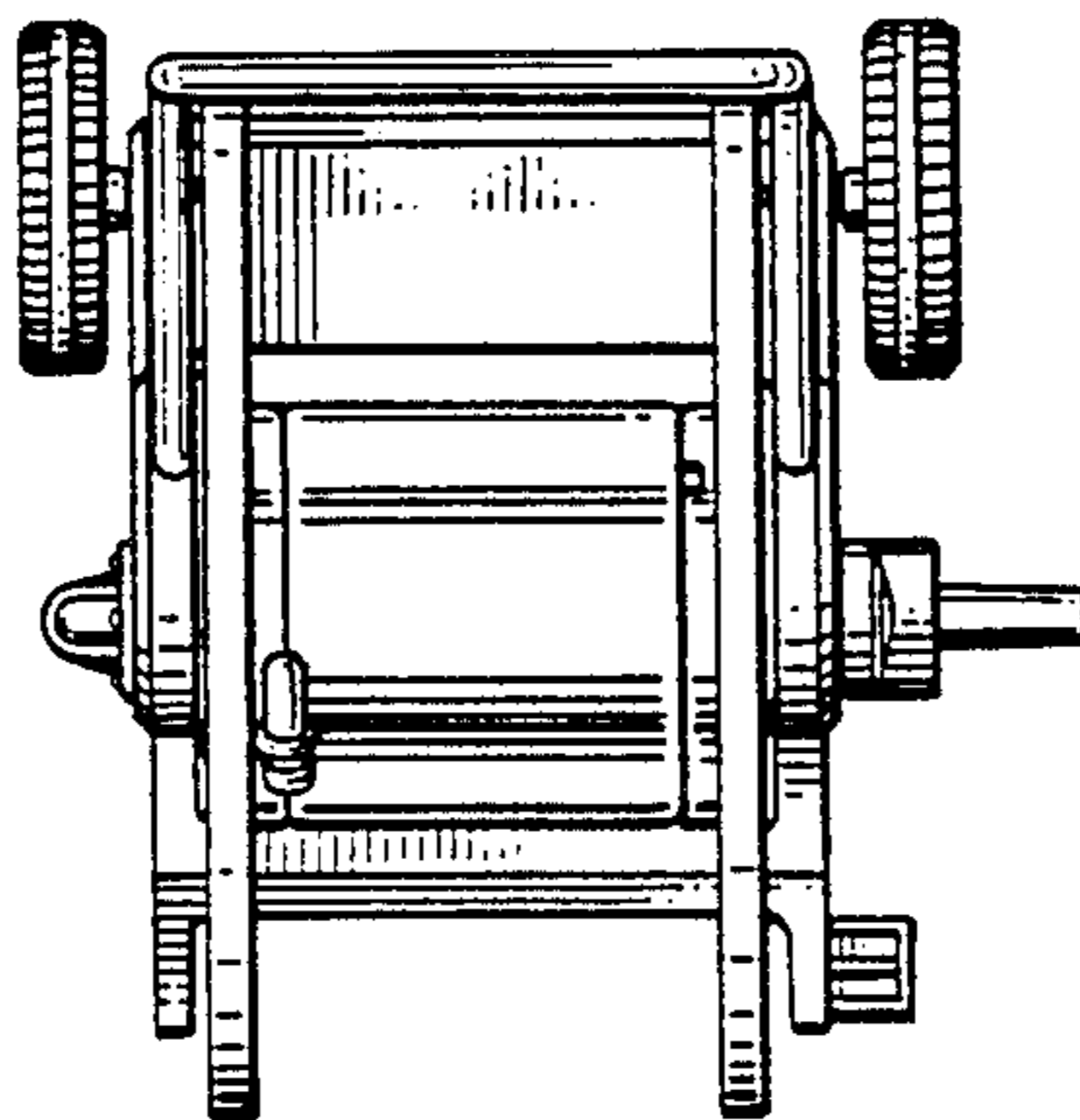
**Fig. 1**



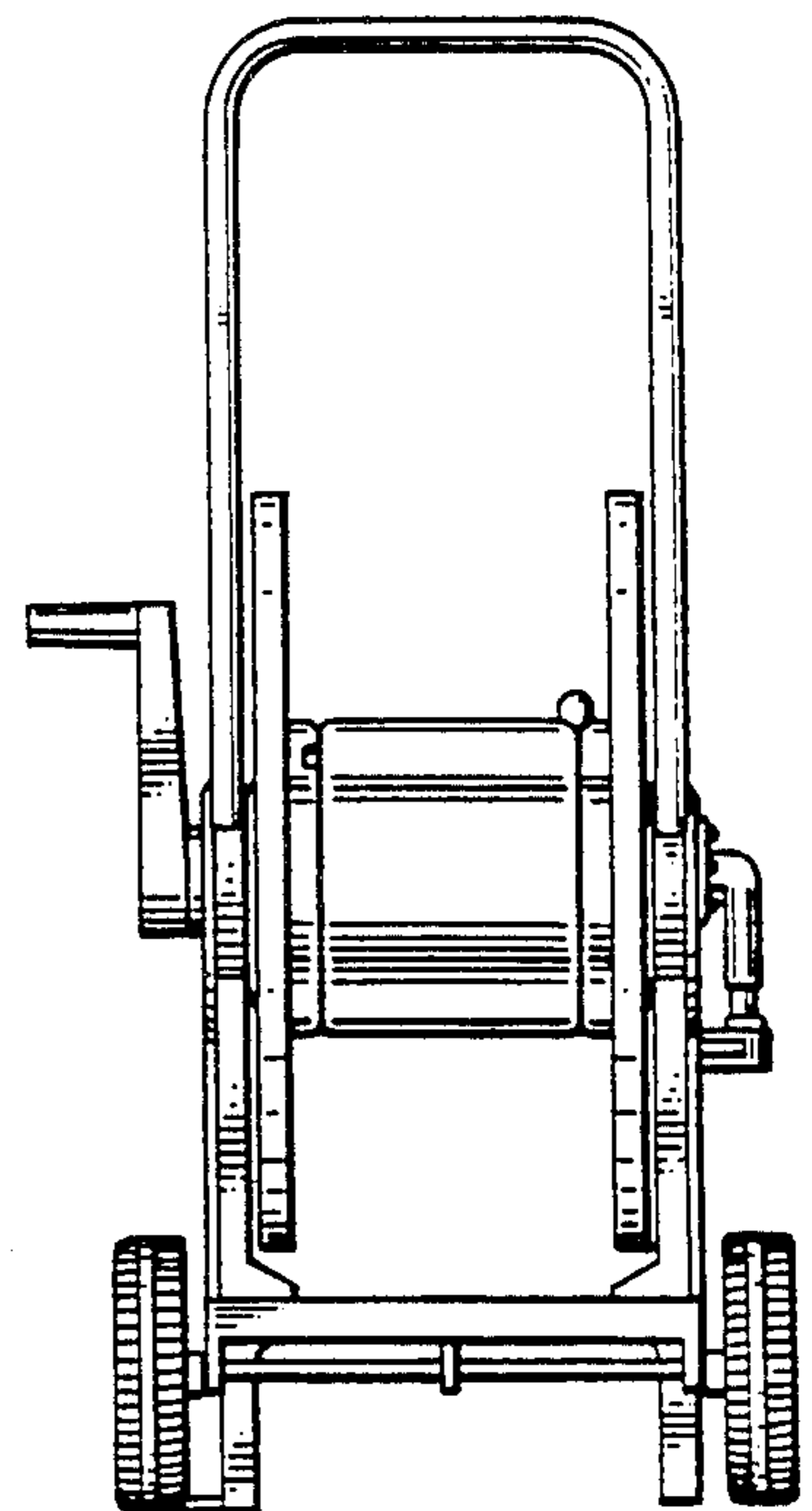
**Fig. 2**



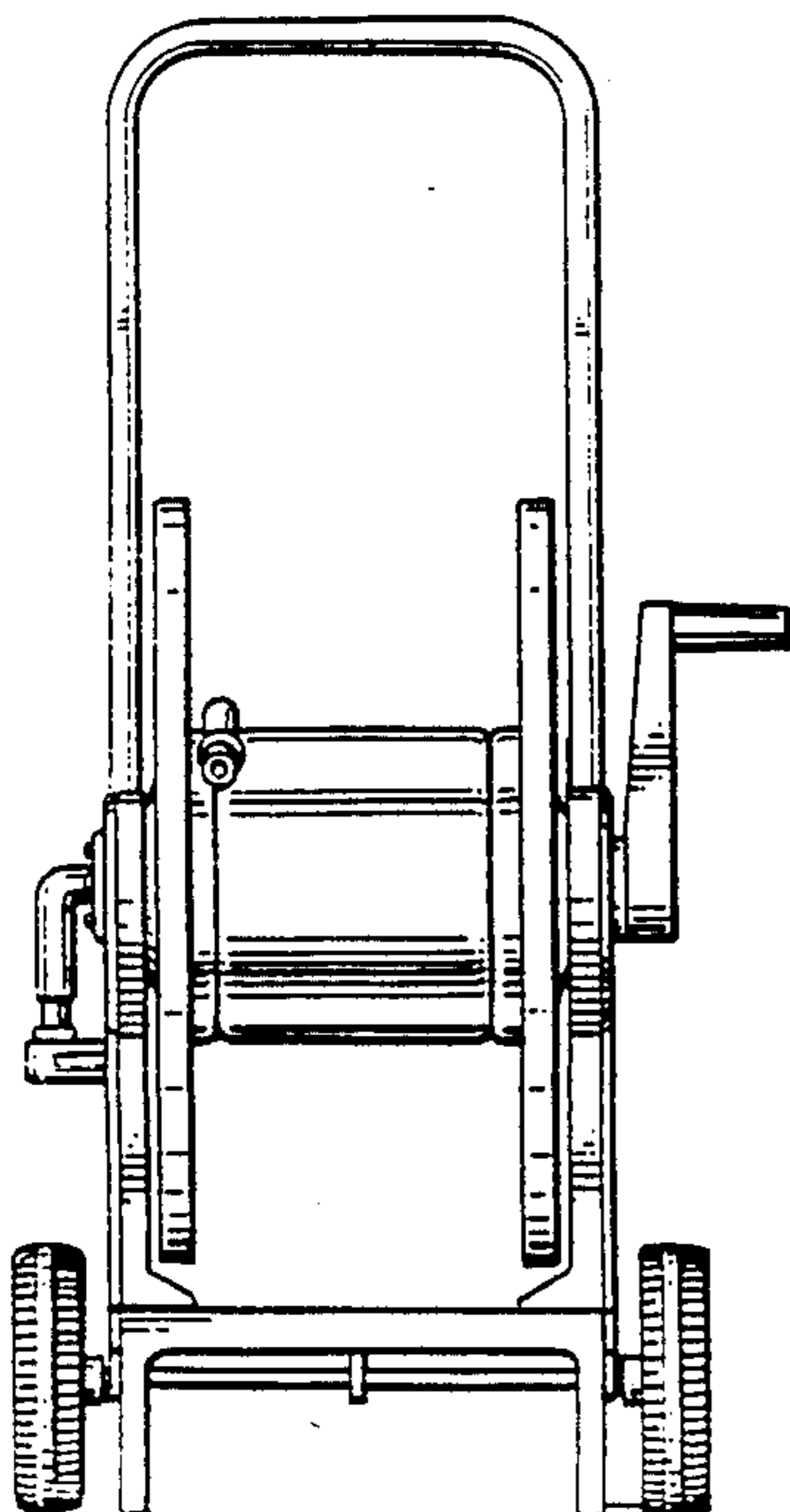
**Fig. 5**



**Fig. 4**



**Fig. 3**



**Fig. 6**

