

[54] WALL MOUNT HOSE REEL

[75] Inventor: Terry N. Nelson, Shoreview, Minn.

[73] Assignee: Specialty Manufacturing Company, St. Paul, Minn.

[\*\*] Term: 14 Years

[21] Appl. No.: 681,917

[22] Filed: Dec. 14, 1984

[52] U.S. Cl. .... D8/359

[58] Field of Search ..... D8/358, 359; D34/24; D22/137; 137/355.22, 355.16, 355.26, 355.27; 242/86, 106, 86.2, 96, 86.5 R

3,330,498 7/1967 Rucky ..... 242/86

3,645,468 2/1972 Edelsberg et al. .... 242/106

3,880,378 4/1975 Ballenger ..... 242/96

4,137,939 2/1979 Chow ..... 137/355.27

4,512,361 4/1985 Fisbo et al. .... 137/355.27

FOREIGN PATENT DOCUMENTS

3041717 6/1981 Fed. Rep. of Germany ..... 242/86

331238 6/1930 United Kingdom ..... 137/355.26

901606 7/1962 United Kingdom ..... 242/86

1390920 4/1975 United Kingdom ..... 137/355.26

Primary Examiner—James M. Gandy

Assistant Examiner—Horace B. Fay, Jr.

Attorney, Agent, or Firm—Dorsey & Whitney

[56] References Cited

U.S. PATENT DOCUMENTS

D. 211,531 6/1968 Elmslie ..... D8/359

D. 233,411 10/1974 Geisler ..... D8/359

D. 240,192 6/1976 Balmer, Jr. .... D8/358

D. 247,218 2/1978 Barber ..... D8/359

D. 288,773 3/1987 Ward ..... D8/359

904,380 11/1908 Vader ..... 137/355.26

1,537,637 5/1925 Jarvis ..... 137/35.12

2,547,826 4/1957 Kirschmer ..... 137/355.26

2,805,100 9/1957 Shaver ..... 242/86

2,823,074 2/1958 Bernard, Jr. .... 137/355.26

[57] CLAIM

The ornamental design for a wall mount hose reel, as shown and described.

DESCRIPTION

FIG. 1 is a right side elevational view of a wall mount hose reel, showing my new design;

FIG. 2 is a left side elevational view thereof;

FIGS. 3 and 4 are respectively front and rear elevational views thereof; and,

FIGS. 5 and 6 are respectively top and bottom plan views thereof.

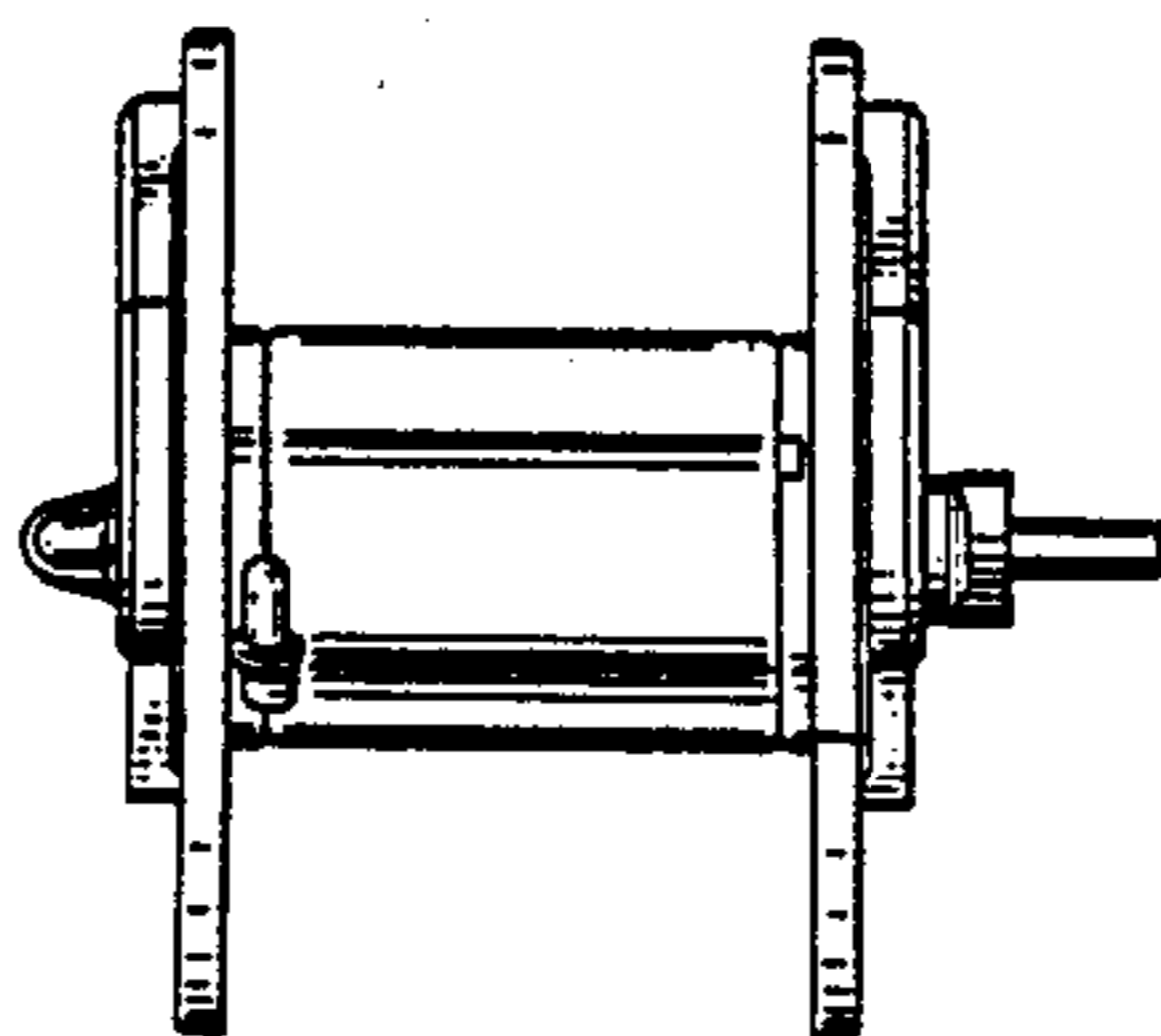
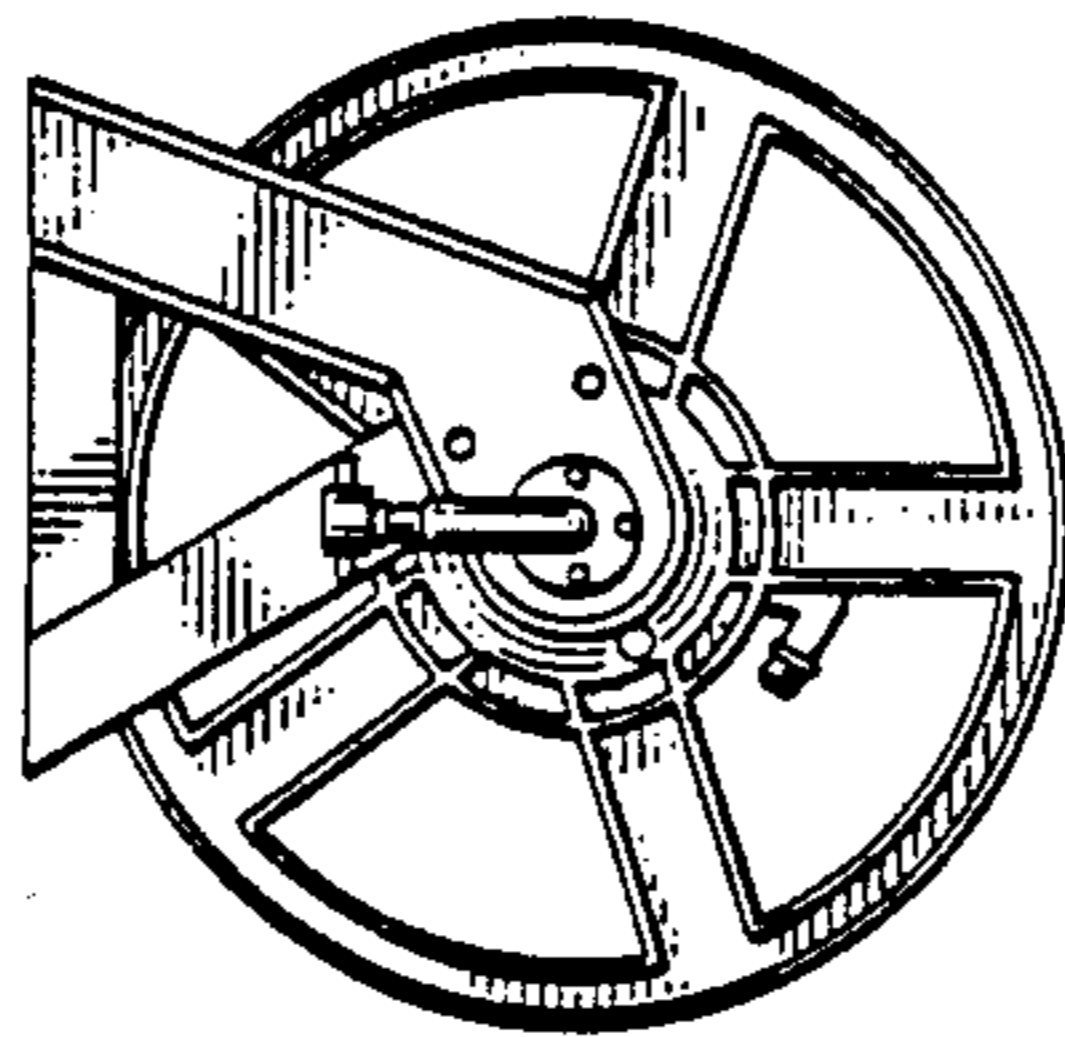


Fig. 1

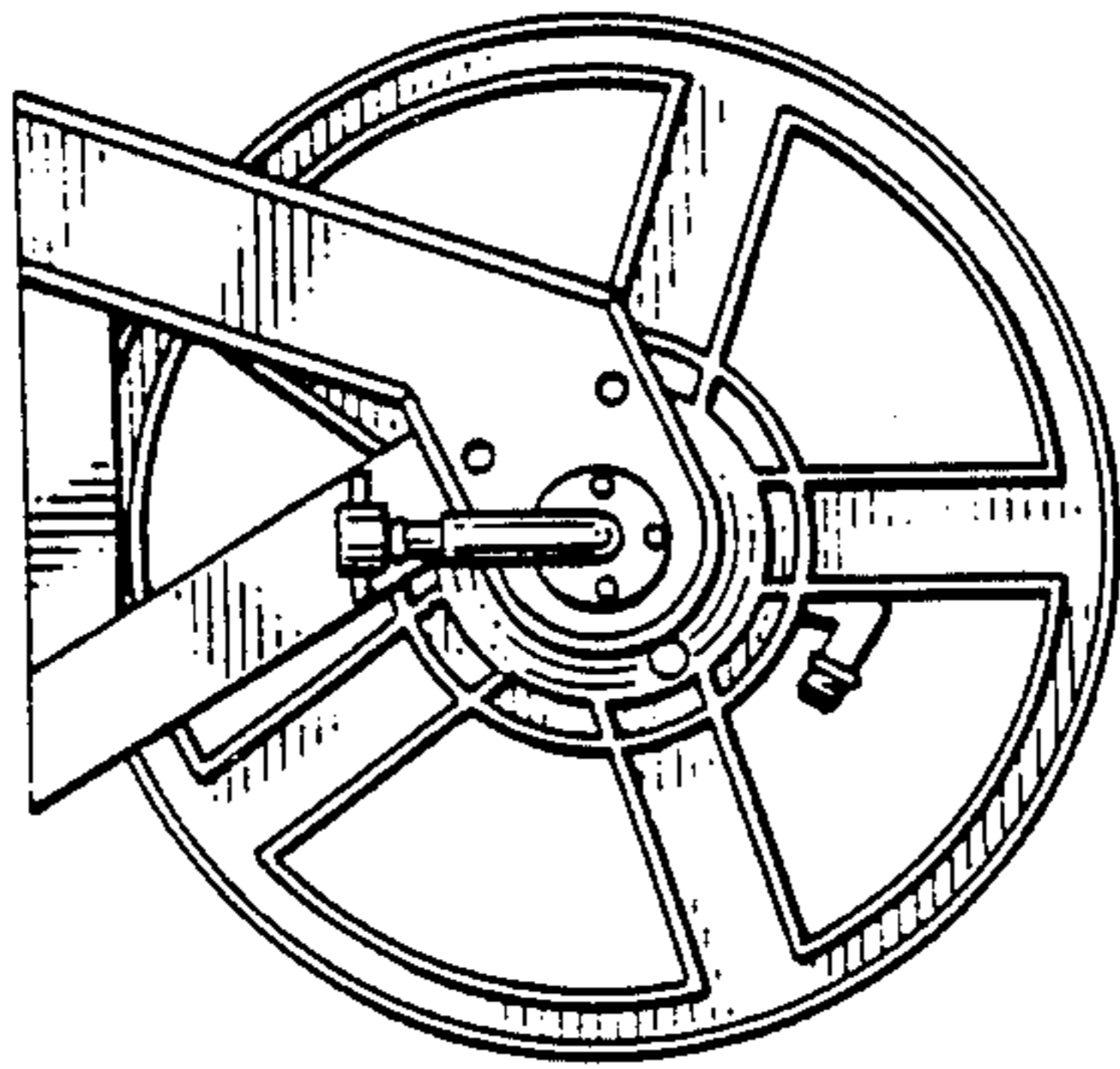


Fig. 2

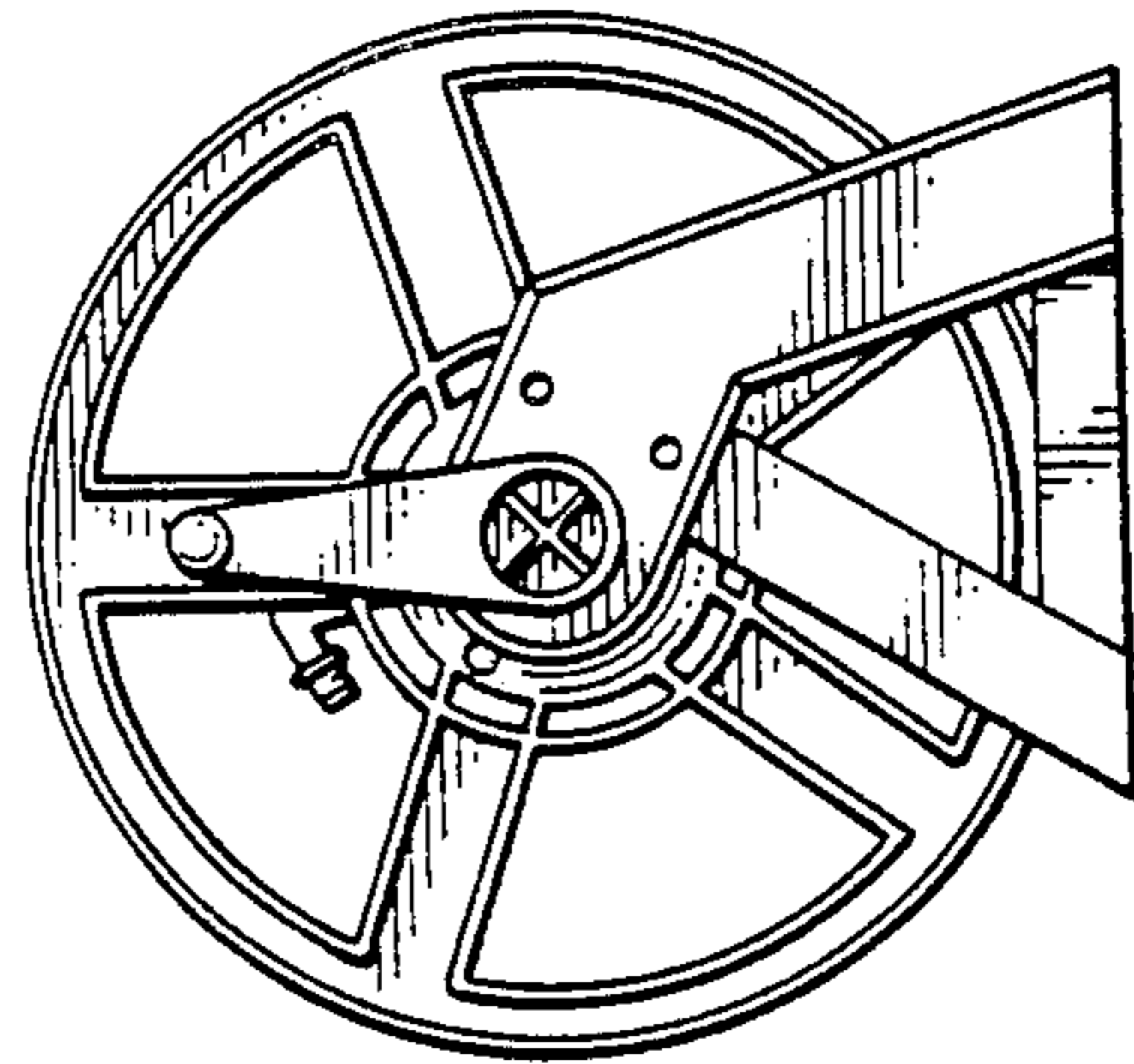


Fig. 3

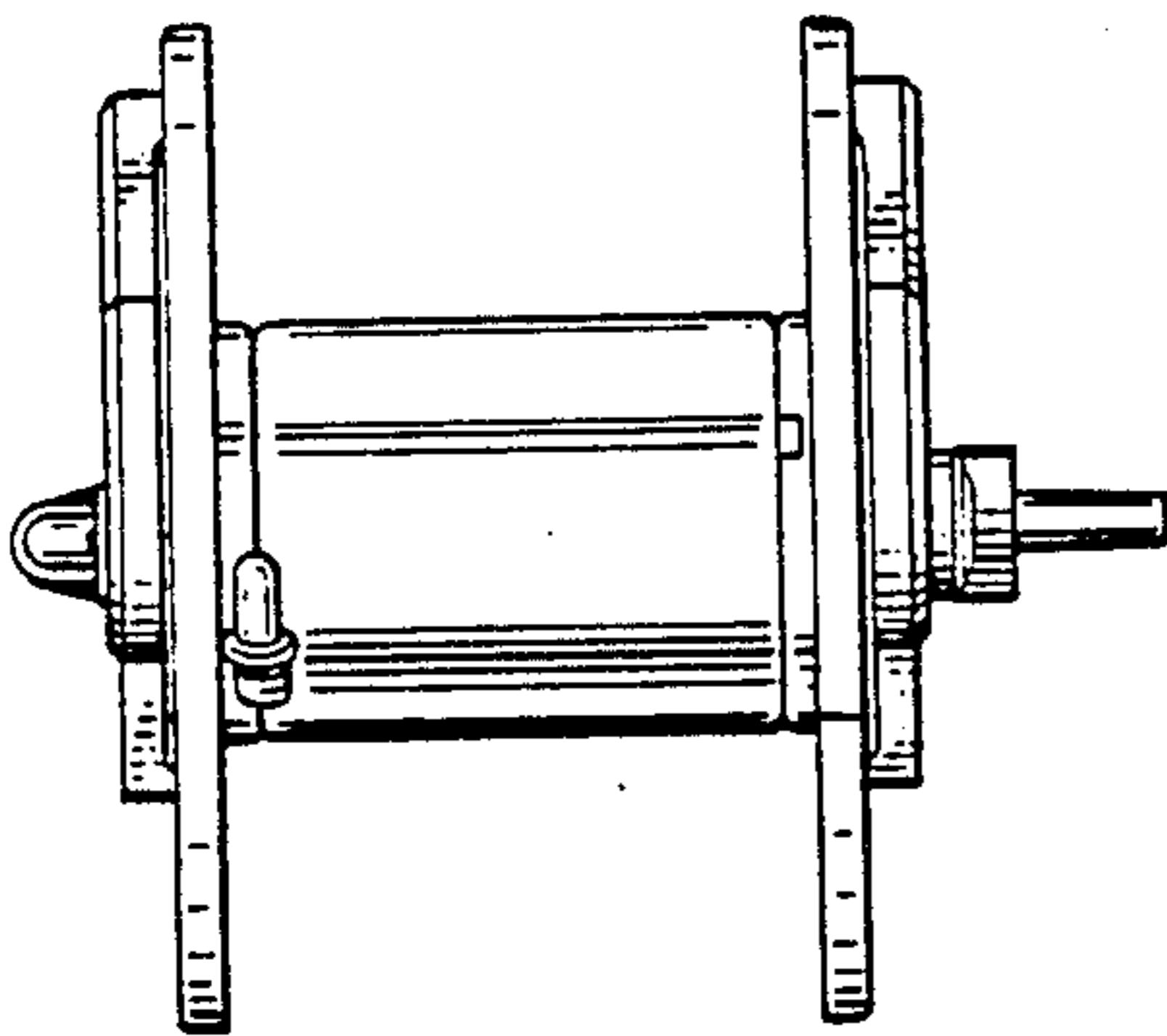


Fig. 4

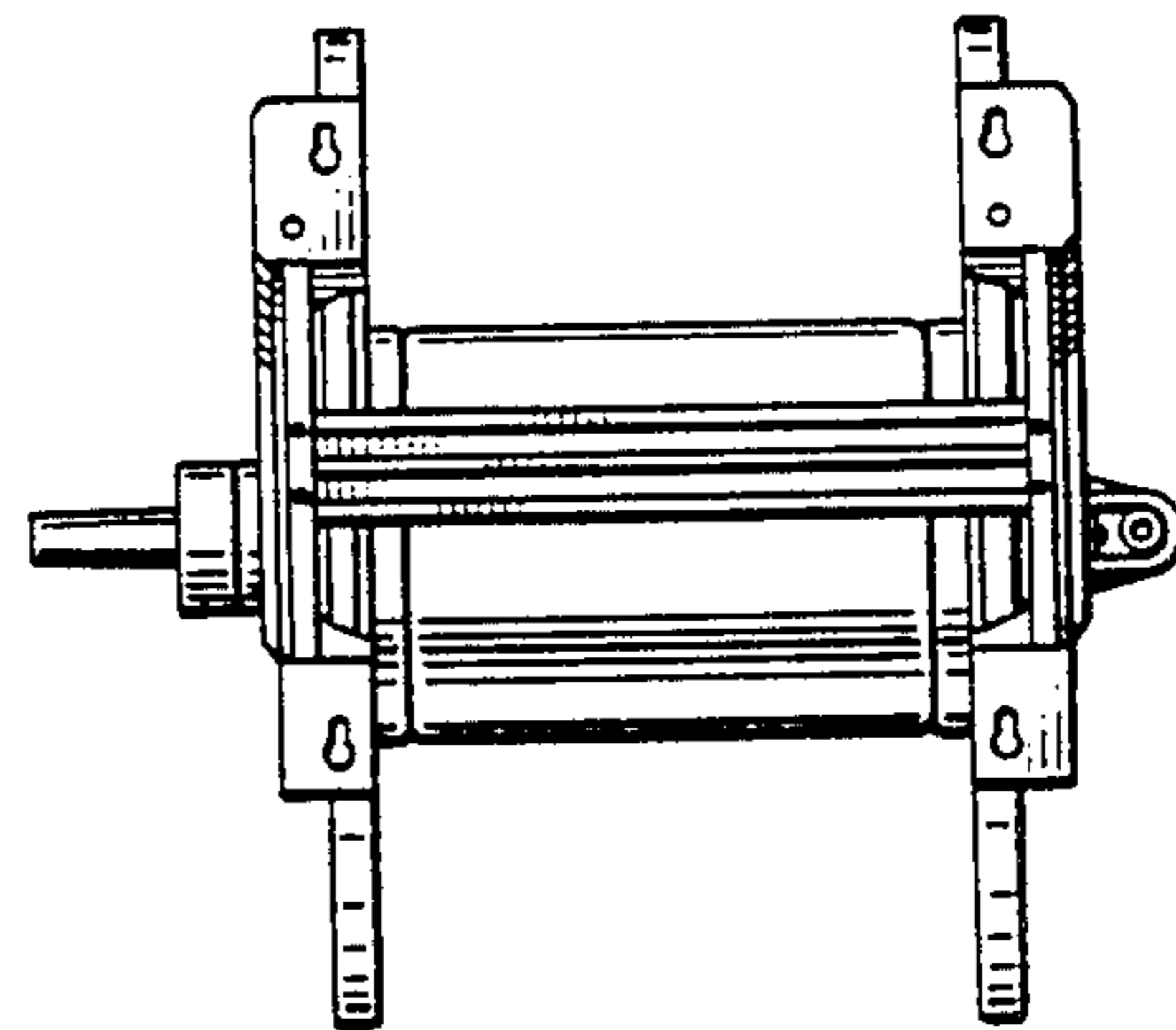


Fig. 5

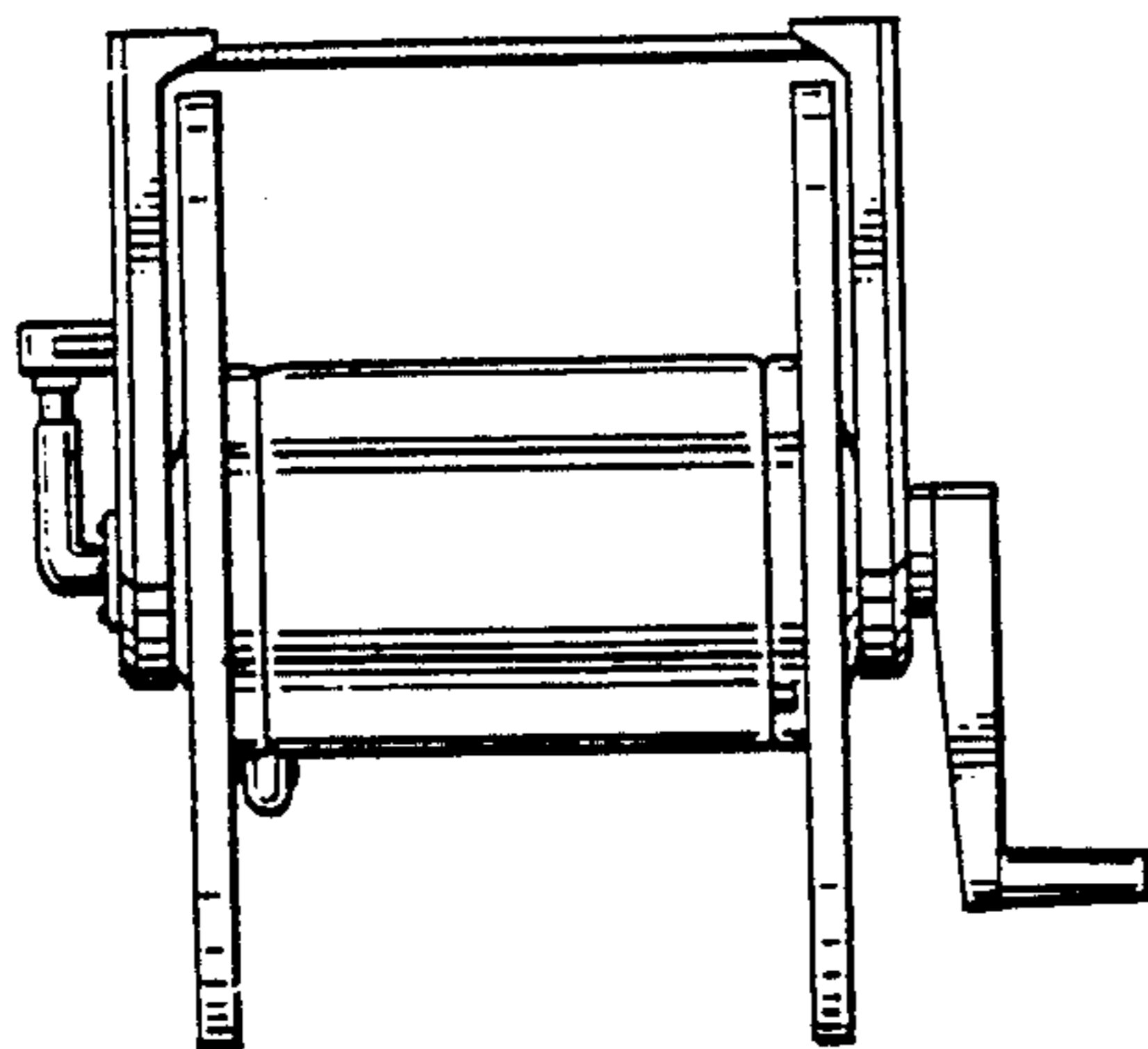


Fig. 6

