

[54] SECURITY GATE LATCH

[76] Inventor: Larry Loudenslager, 505 McGee Dr., Sallisaw, Okla. 74955

[**] Term: 14 Years

[21] Appl. No.: 750,087

[22] Filed: Jun. 28, 1985

[52] U.S. Cl. D8/341; D8/339; D8/346

[58] Field of Search D8/330-346; 70/57, 77, 91, 101-102, 104, 124, 129; 292/137, DIG. 46

[56] References Cited

U.S. PATENT DOCUMENTS

D. 275,550	9/1984	Johnson et al.	D8/331
1,260,469	3/1918	Smith	292/153
1,272,627	7/1918	Copping	292/153
1,564,953	12/1925	Gertsfeld	292/153
3,117,532	1/1964	Moorhead	292/150 X

3,821,884	7/1974	Walsh	292/262 X
3,988,031	10/1976	Meyer	292/153
4,135,376	1/1979	Evans et al.	292/DIG. 46 X
4,570,985	2/1986	Waldo et al.	292/262

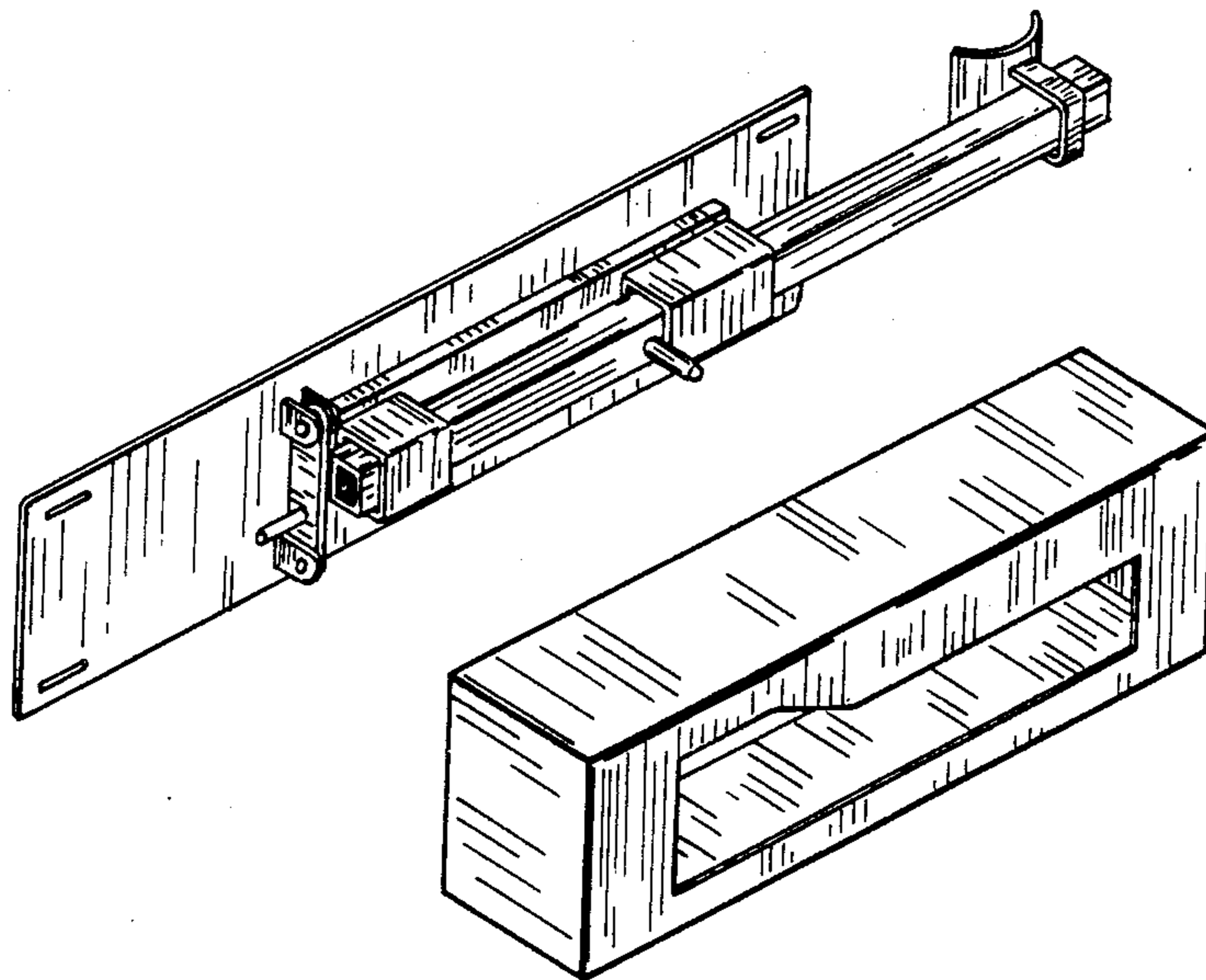
Primary Examiner—Wallace R. Burke
Assistant Examiner—Brian N. Vinson
Attorney, Agent, or Firm—Robert B. Stevenson

[57] CLAIM

The ornamental design for a security gate latch, substantially as shown and described.

DESCRIPTION

FIG. 1 is a top and front exploded perspective view of a security gate latch, showing my new design; FIG. 2 is an enlarged front elevational view thereof; FIG. 3 is an enlarged left side elevational view thereof; FIG. 4 is a greatly enlarged right elevational view thereof, shown rotated 90° degrees; FIG. 5 is an enlarged rear elevational view thereof; FIG. 6 is an enlarged bottom plan view thereof; and, FIG. 7 is an enlarged top plan view thereof.



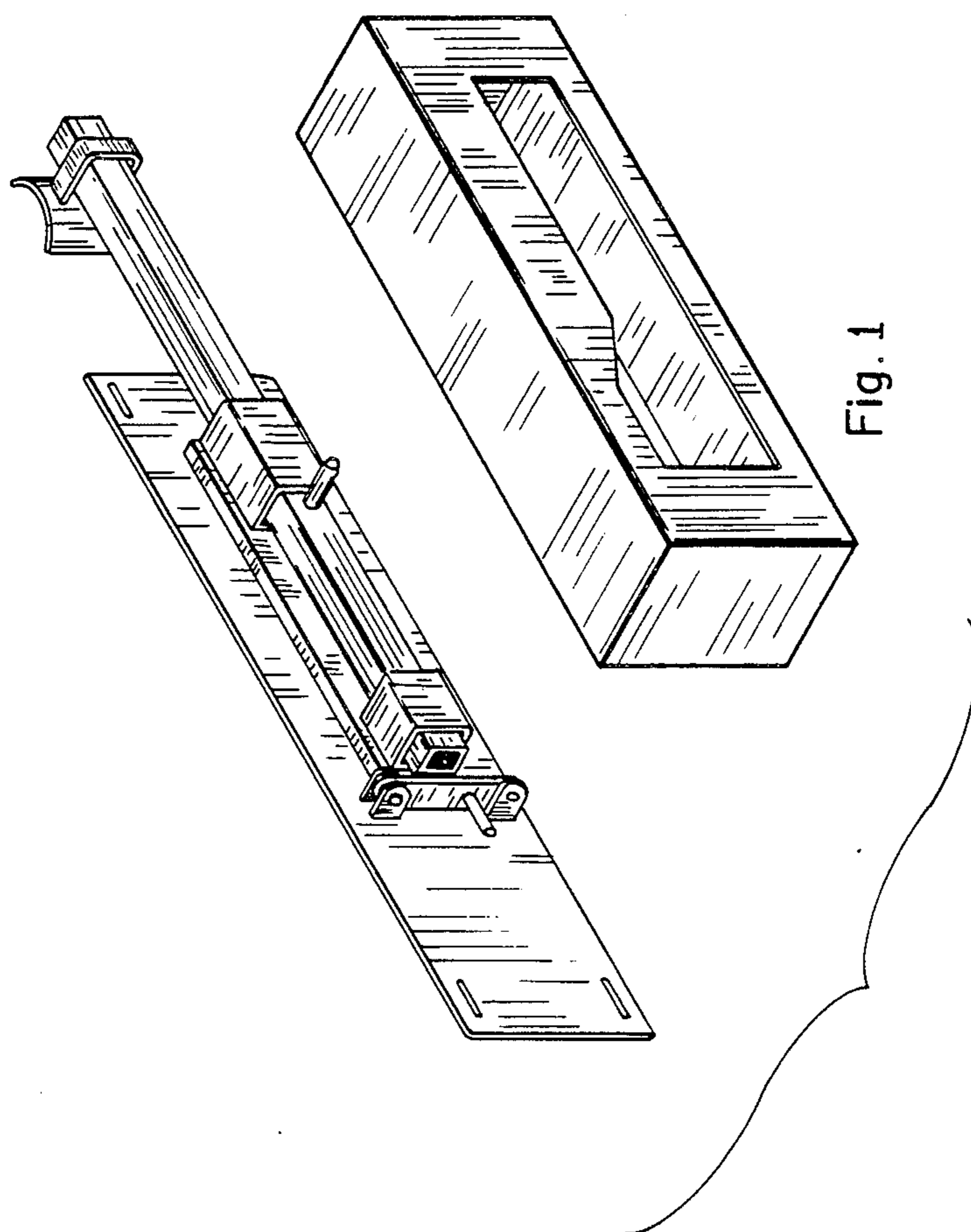


Fig. 1

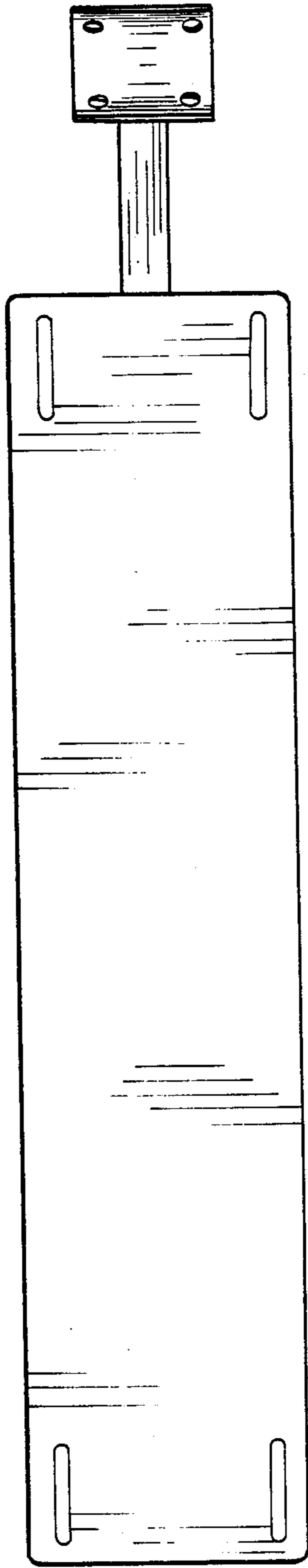


Fig. 5

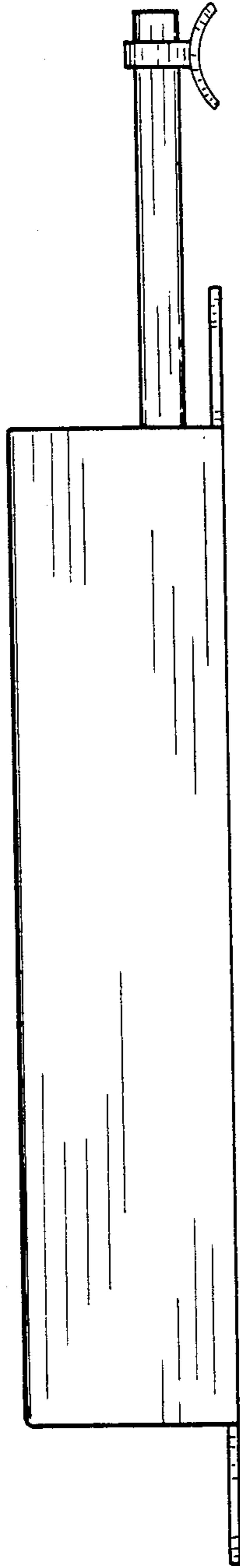


Fig. 6

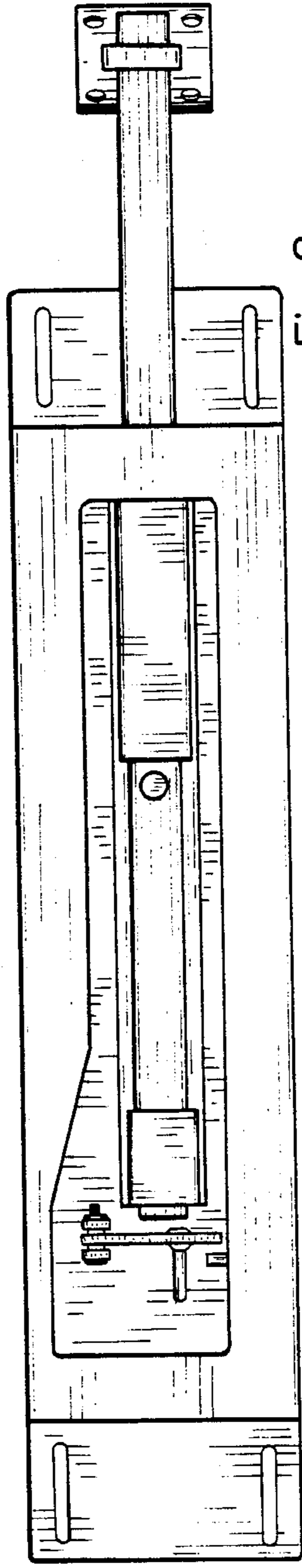


Fig. 2

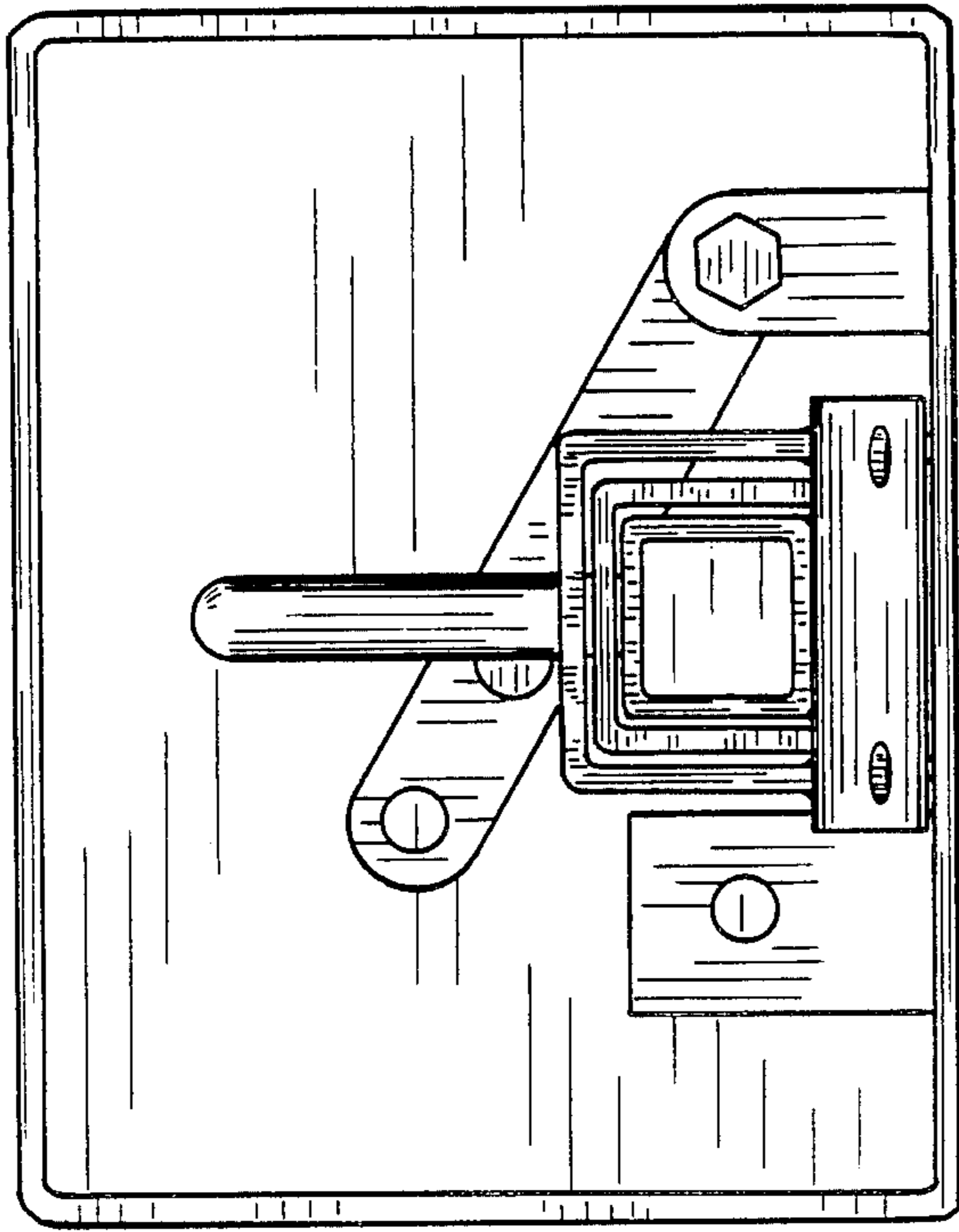


Fig. 4

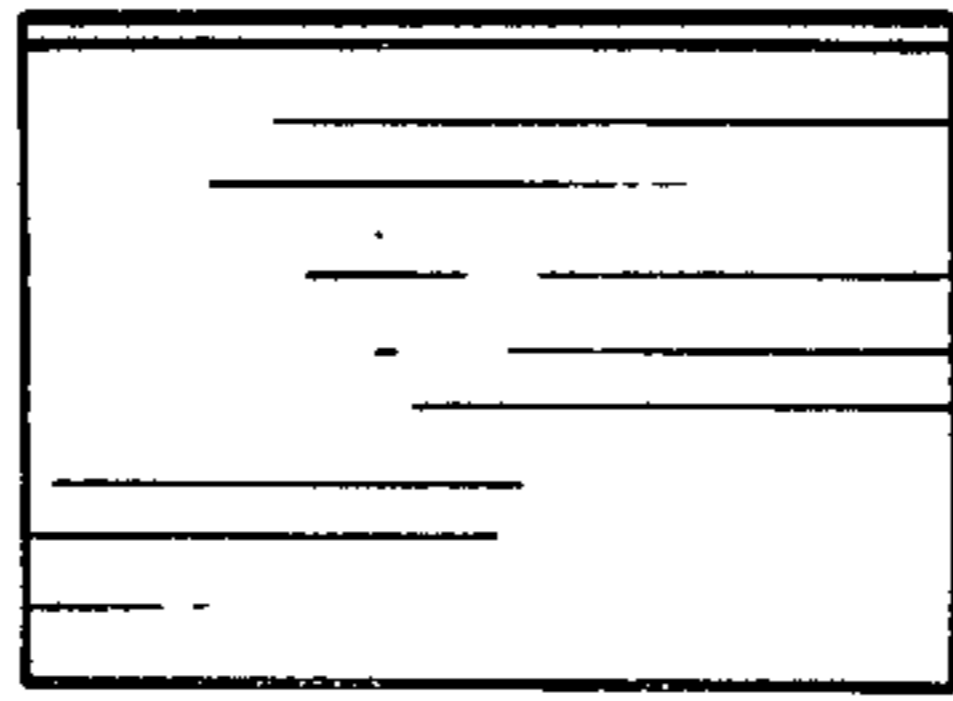


Fig. 3

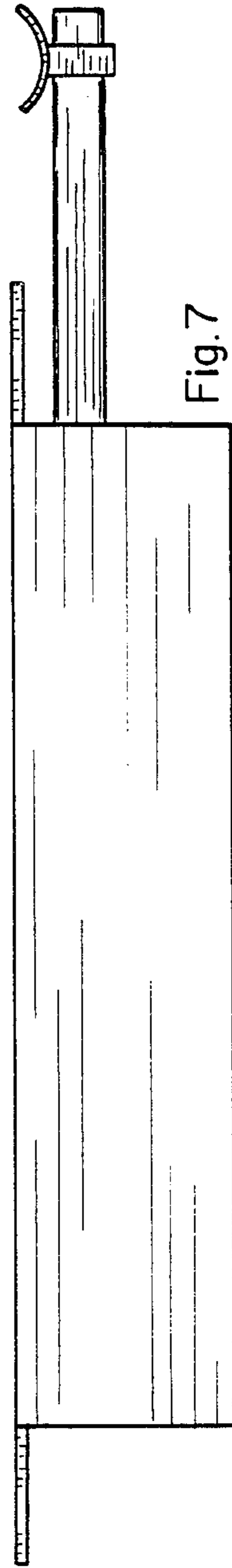


Fig. 7