

[54] **COMBINATION PADLOCK**

3,750,431 8/1973 Atkinson 70/21

[76] **Inventor: Chong-Kuan Ling, No. 7, 3A, Lane
464, Tung-Hwa S. Road, Taipei,
Taiwan**

[**] **Term: 14 Years**

[21] **Appl. No.: 767,906**

[22] **Filed: Aug. 21, 1985**

[30] **Foreign Application Priority Data**

Jun. 8, 1985 [TW] Taiwan 74302871

[52] **U.S. Cl. D8/334**

[58] **Field of Search D8/330-346;
70/20-22, 24, 31, 35, 442-443, 447-448**

[56] **References Cited**

U.S. PATENT DOCUMENTS

1,218,084 3/1917 Hulden 70/51 X
1,375,603 4/1921 Öhrström 70/52 X

OTHER PUBLICATIONS

Luggage & Travelware, Apr. 1980, p. 27 "Prestolock".

Primary Examiner—Wallace R. Burke

Assistant Examiner—Brian N. Vinson

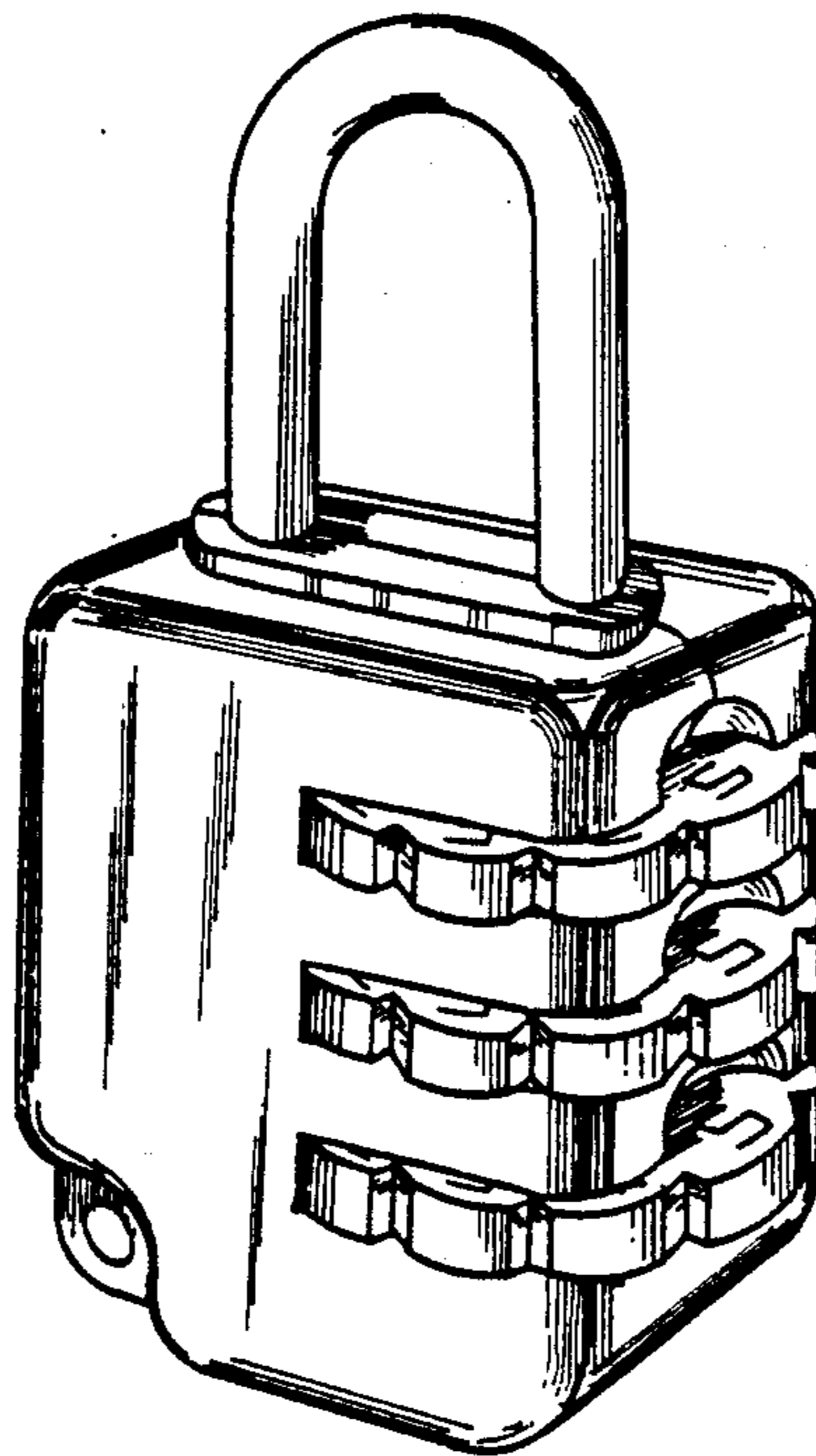
Attorney, Agent, or Firm—Stephen F. K. Yee

[57] **CLAIM**

The ornamental design for a combination padlock, substantially as shown.

DESCRIPTION

FIG. 1 is a front and top perspective view of a combination-operated padlock showing my new design; FIG. 2 is a front elevational view thereof; FIG. 3 is a top plan view thereof; FIG. 4 is a right side elevational view thereof; FIG. 5 is a rear elevational view thereof; FIG. 6 is a left side elevational view thereof; and FIG. 7 is a bottom plan view thereof.



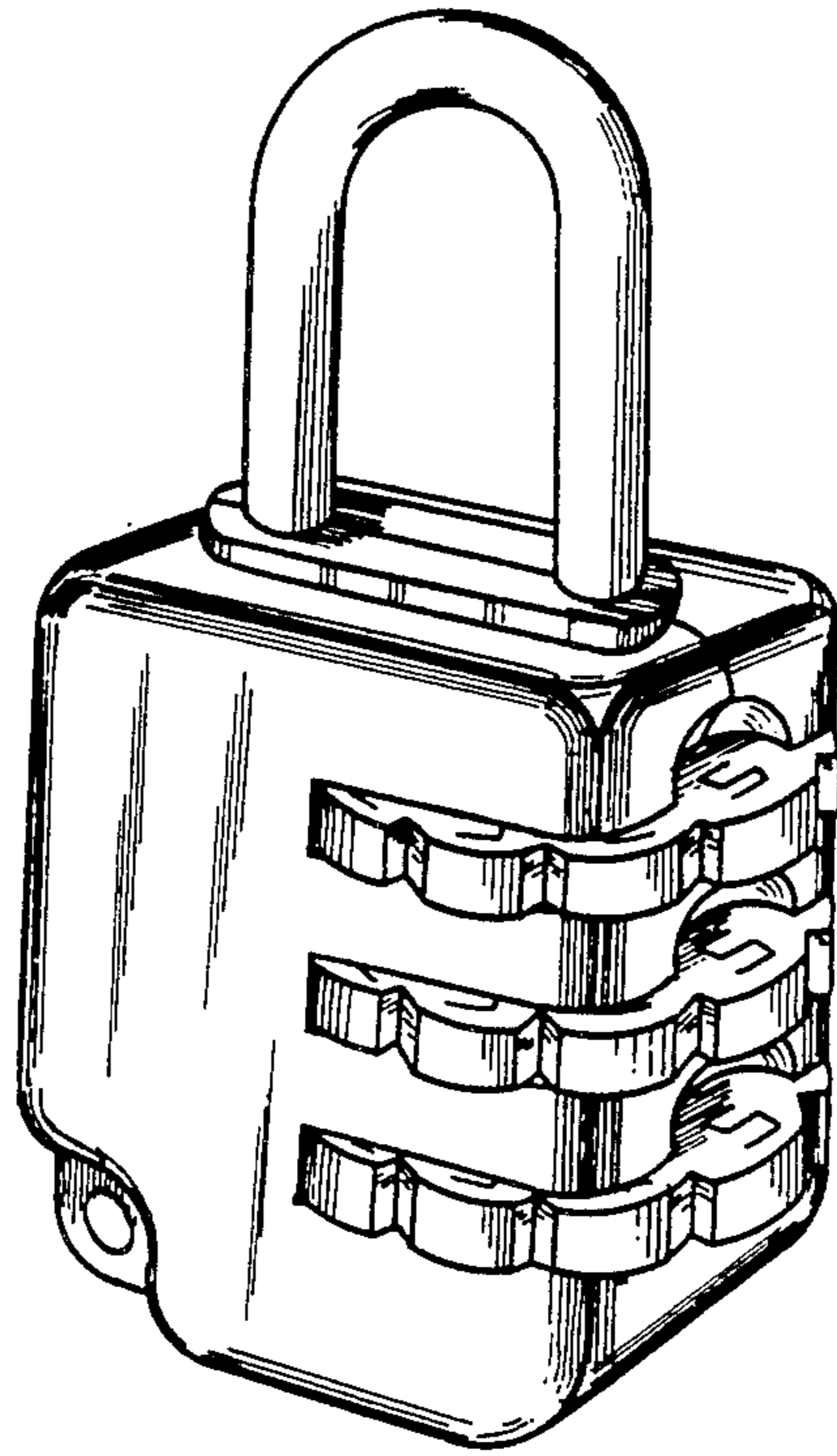


FIG. 1

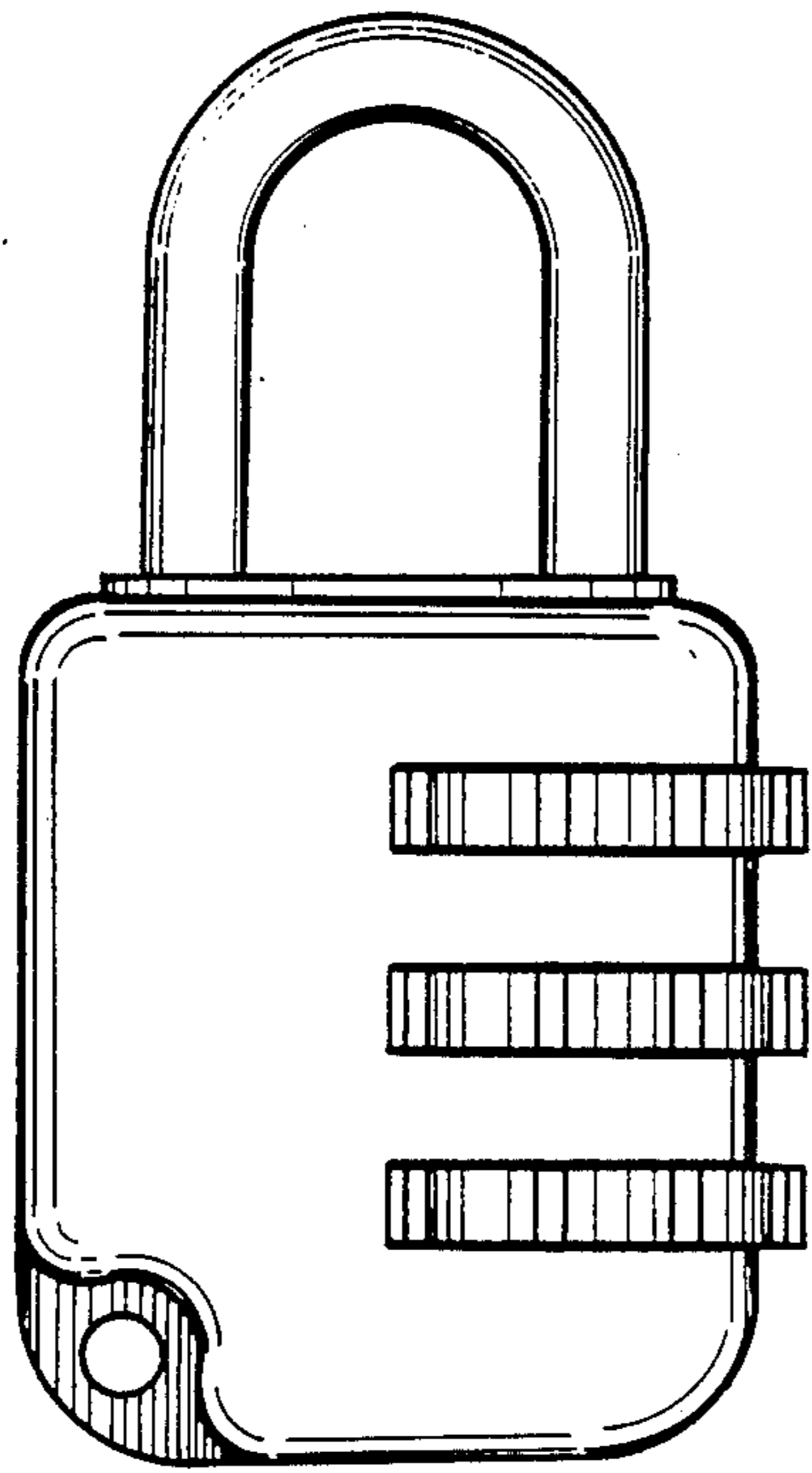


FIG. 2

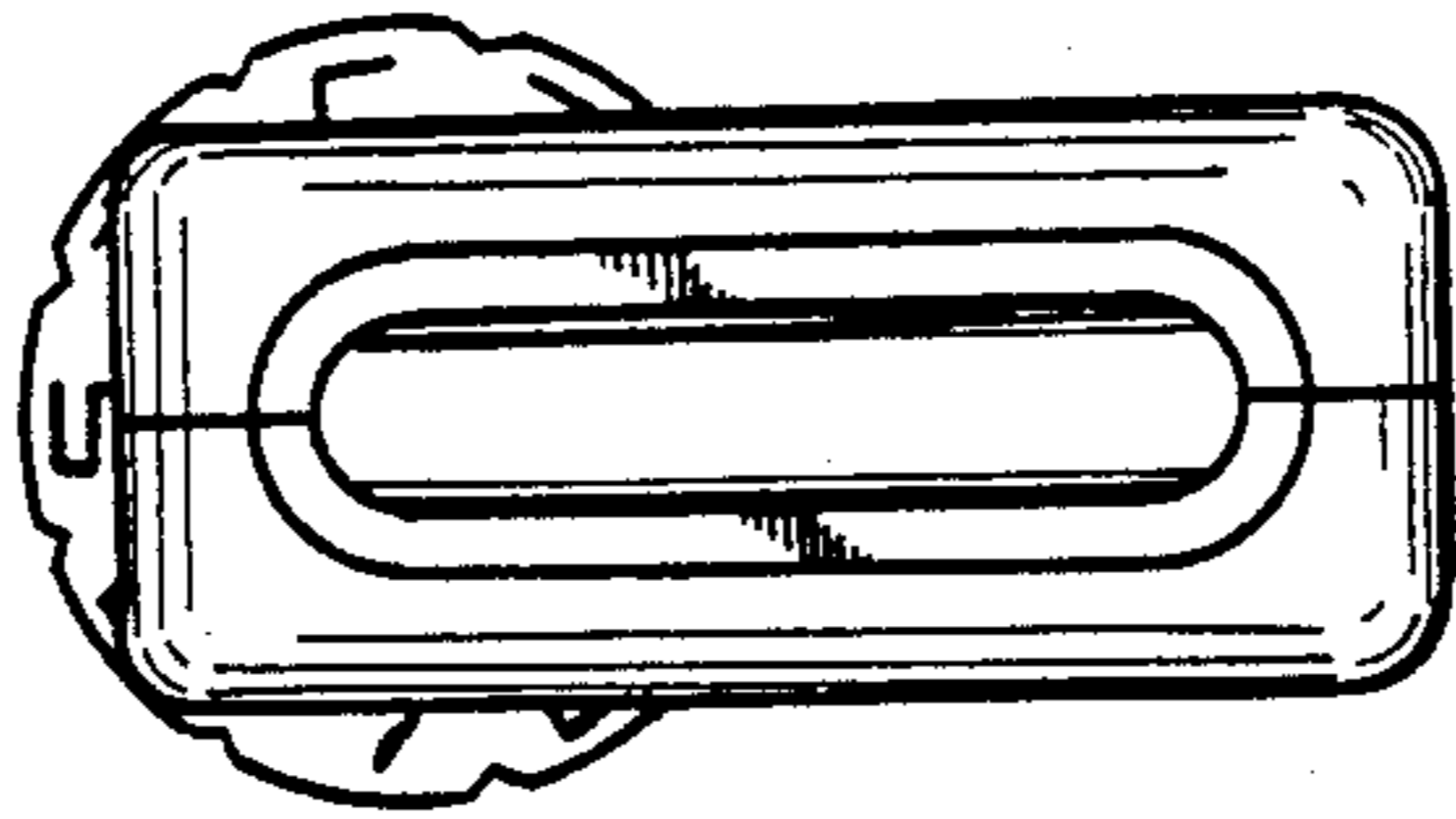


FIG. 3

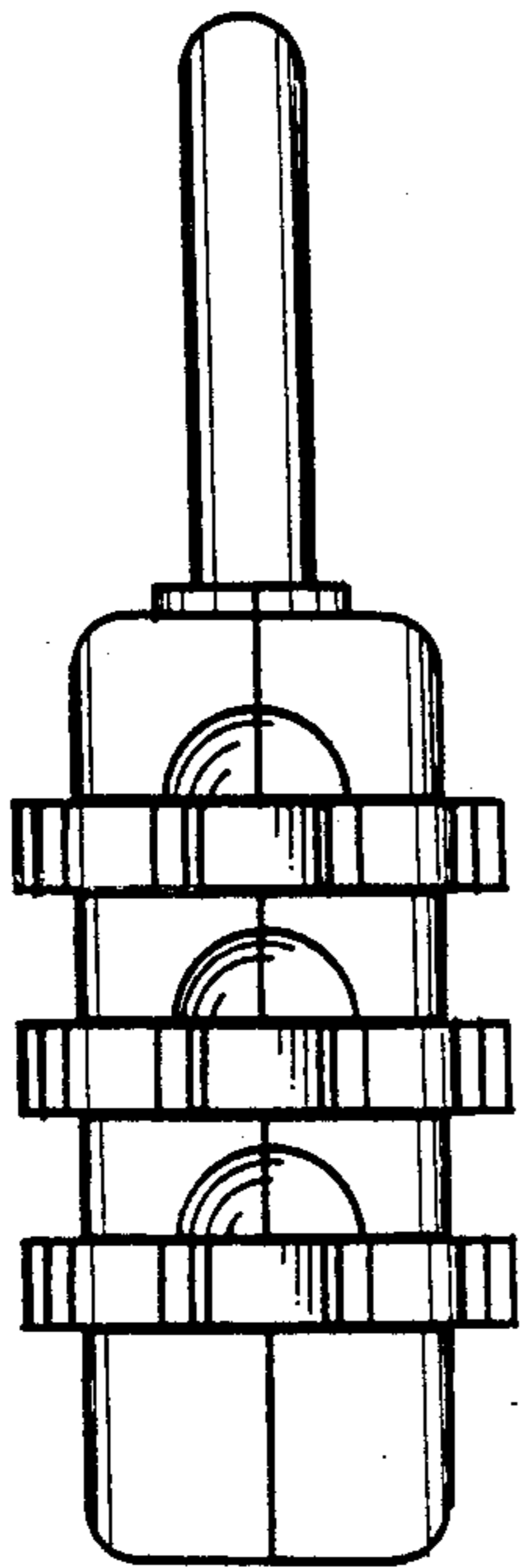


FIG. 4

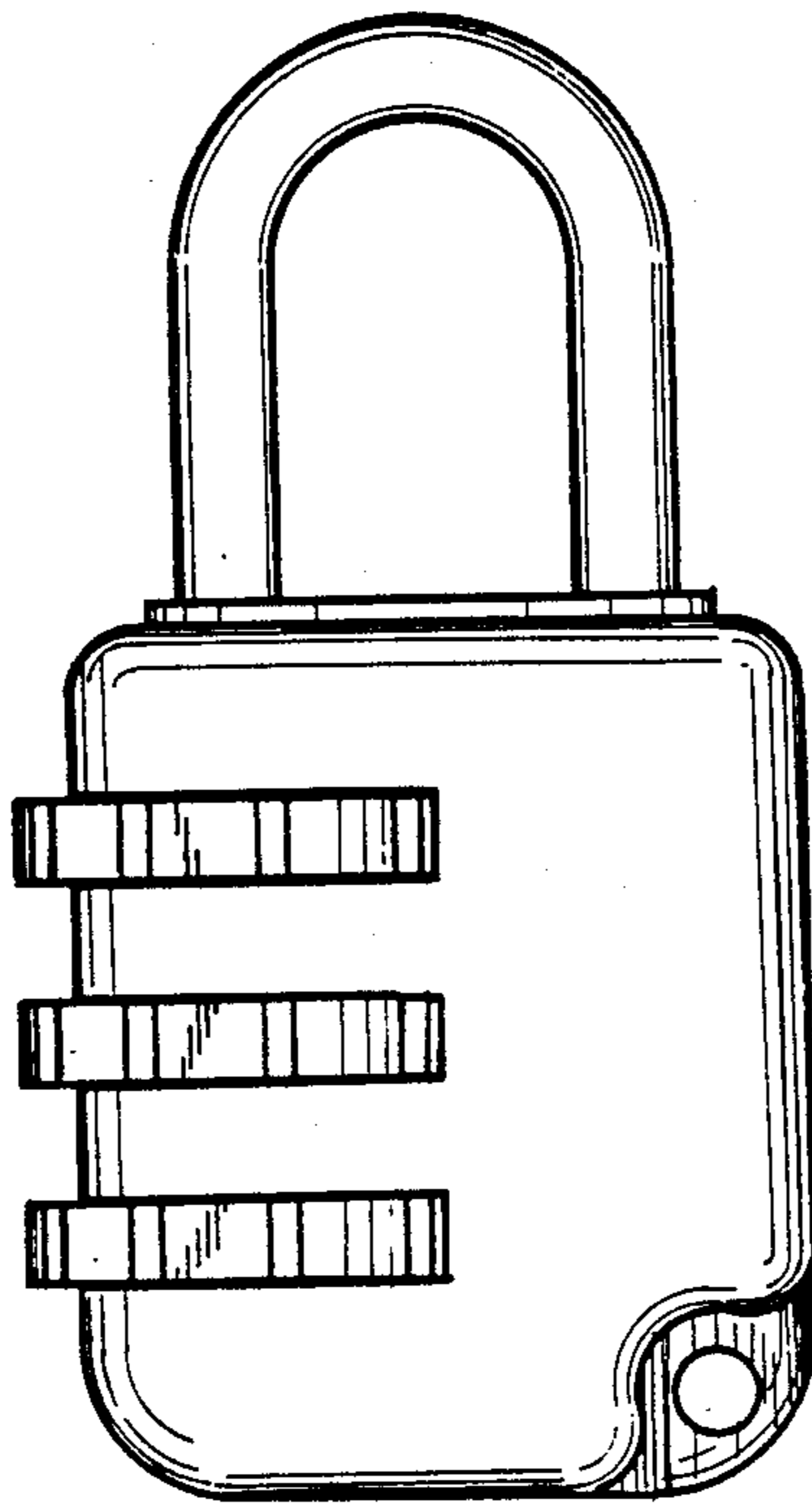


FIG. 5

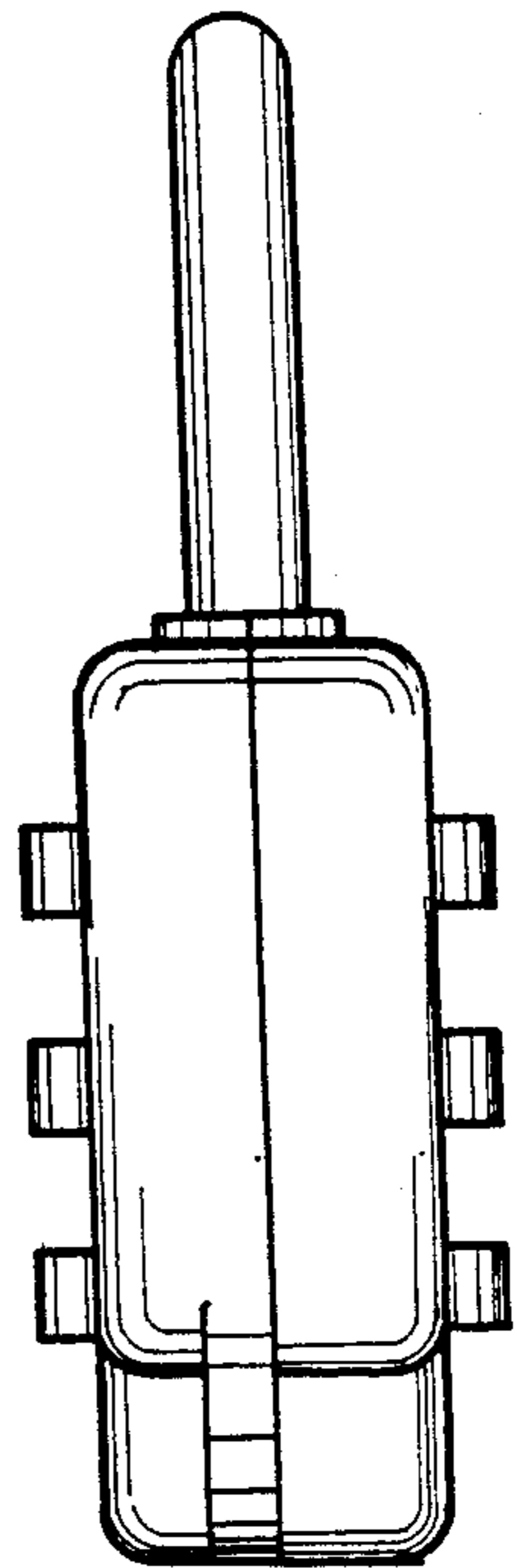


FIG. 6

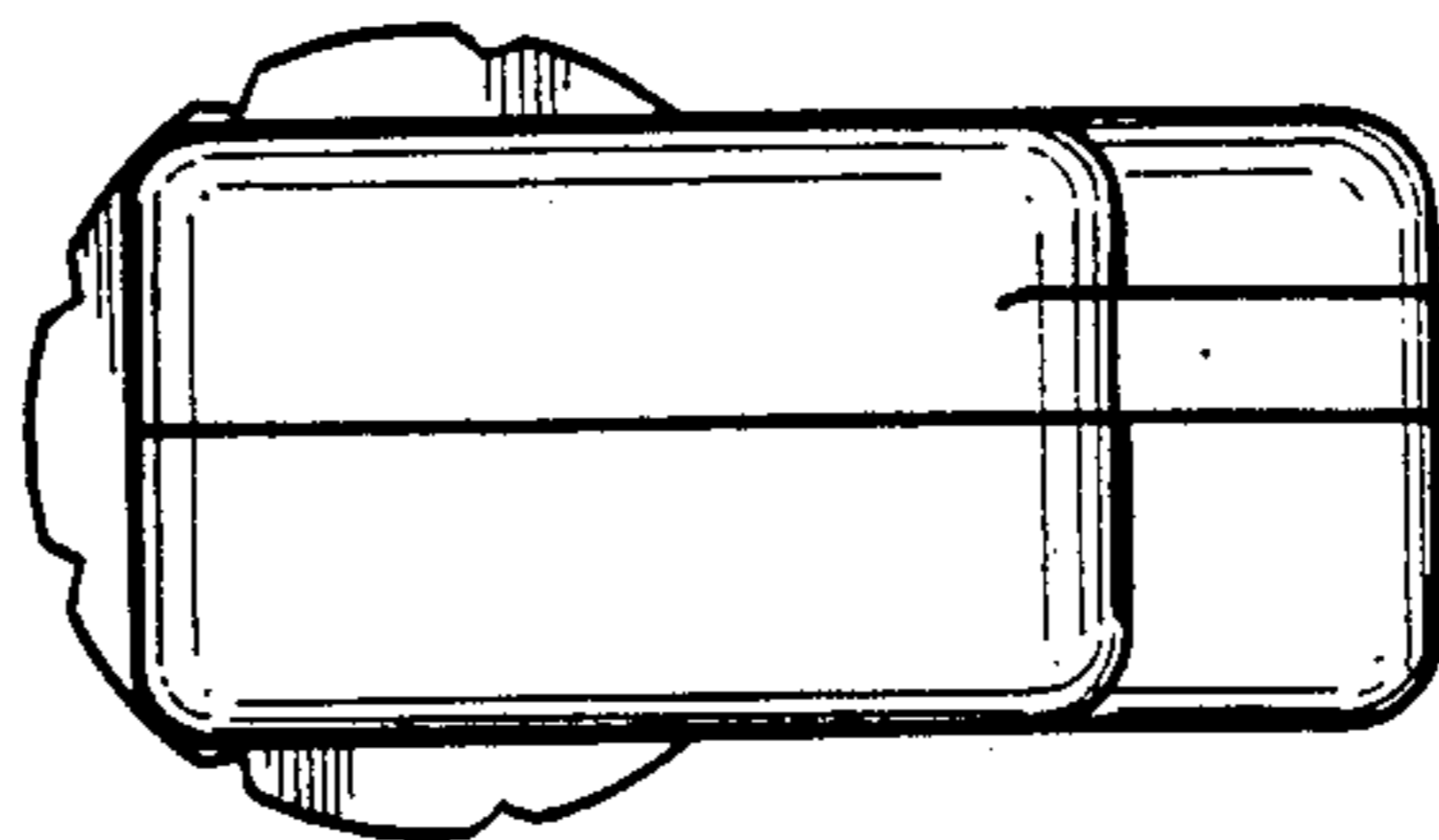


FIG. 7